

Tablet Mount - Professional

Available in 3 Models

TABSDM: Theft Resistant

TABCC: Clamp mount

TABV: VESA mount, no stand



Universal Tablet Mount with Theft Resistant Fastener

ICW's versatile Tablet Mount securely holds tablets and provides exceptional range of motion. It's an excellent solution for retail points of sale, healthcare, dental and industrial applications.

- Spring loaded cradle expands and contracts to fit sizes listed in the chart below.
- Theft resistant TABSDM model locks tablet securely in place.
- Rotates easily from portrait to landscape mode.
- Adjusts 16.6" (42 cm) vertically, swivels 360° and tilts to any viewing angle.
- Attaches to a counter or desk with a clamp or desk mount.
- Commercial grade quality.
- 5 year warranty.

Universal Tablet Mount fits these tablet dimensions

Width range: 9.5 to 11.5" (24 to 29 cm)

Height range: 6.5 to 8.0" (16.5 to 20.3 cm)

Thickness: Up to .56" (14.2 cm)

Dimensions below are shown in inches

TABLET	WIDTH	HEIGHT	THICKNESS	SCREEN SIZE
Apple iPad Air 2	9.4	6.6	0.29	9.7
Apple iPad Air	9.4	6.6	0.29	9.7
Apple iPad 4	9.5	7.31	0.37	9.7
Apple iPad 3	9.5	7.31	0.37	9.7
Apple iPad 2	9.5	7.31	0.34	9.7
Apple iPad 1	9.56	7.47	0.5	9.7
Samsung Tab S 10.5	9.74	6.98	0.26	10.5
Samsung Tab A 9.7	9.55	6.57	0.29	9.7
Samsung Tab 4 10.1	9.58	6.94	0.31	10.1
Samsung Note 10.1	9.6	6.8	0.3	10.1
Samsung Tab Pro 10.1	9.57	6.75	0.3	10.1
Microsoft Surface 3	10.52	7.36	0.34	10.8
Microsoft Surface Pro 3	11.5	7.93	0.36	12
Microsoft Surface 2	10.81	6.79	0.35	10.6
Microsoft Surface Pro 2	10.81	6.81	0.53	10.6
Microsoft Surface RT	10.81	6.77	0.37	10.6
Microsoft Surface Pro	10.81	6.81	0.53	10.6

Range of Motion Video



Need a custom solution? Contact your ICW representative for more information.

Call our customer service representatives for more information: 1-800-558-4435

Range of Motion and Dimension Drawings

Available in 3 Models

TABSDM: Theft Resistant

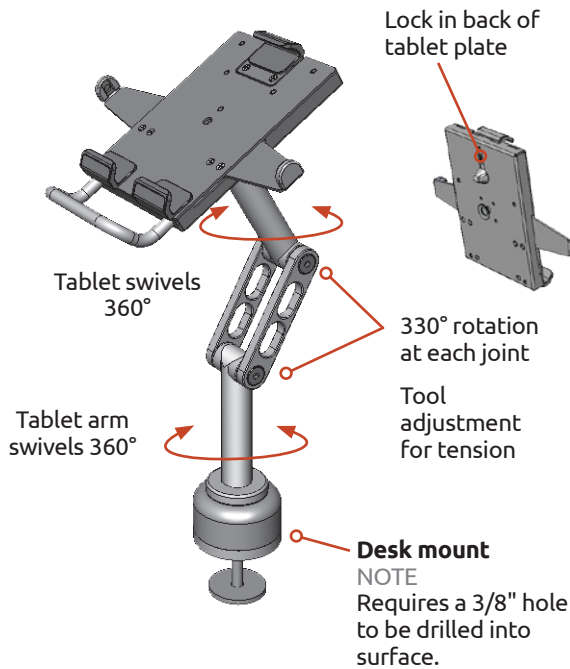
TABCC: Clamp mount

TABV: VESA mount, no stand

MODEL: **TABSDM**

Theft Resistant Desk Mount

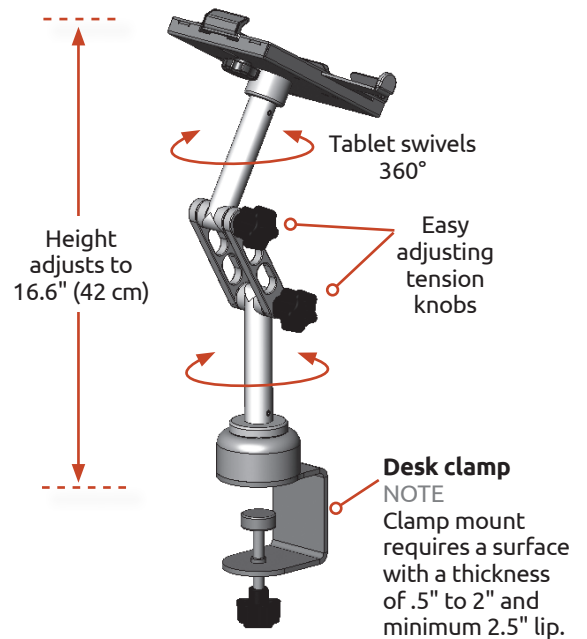
Requires custom ICW key for tablet removal.



MODEL: **TABCC**

Clamp Mount

Does not include theft resistant feature.



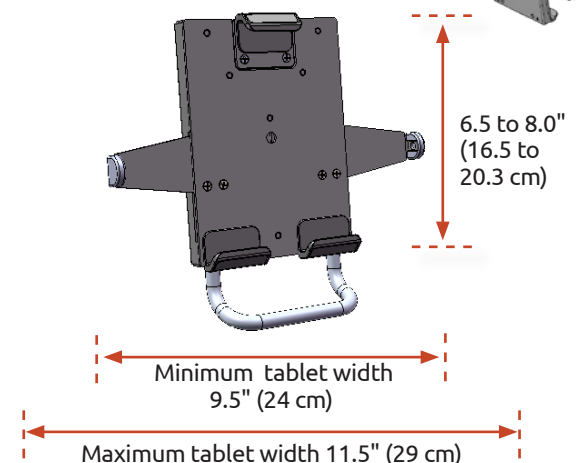
- Mounts fold compactly.
- Extend to a fully vertical position.
- Rotate 330° at both joints and swivel 360°.
- Height adjusts to 16.6" (42 cm).

MODEL: **TABV**

Tablet Mount Plate with 100mm VESA compatibility

No stand included.

Theft resistant fastener included.



ICWUSA.com, Inc.
1487 Kingsley Drive
Medford, OR 97504
800-558-4435

Call our customer service representatives for more information: 1-800-558-4435