

Quicklink Mount

from
ICW

MADE IN THE USA

800-558-4435
1487 Kingsley Dr
Medford, OR 97504
www.icwusa.com

Availability Date

April 1st 2011

Product Description

The Quicklink mount offers "one handed" locking push-button tilt adjustment. The push-buttons are conveniently located where your hand would support the device in order to move it. Both tilt joints move independantly of each other allowing maximum tilt positions and a greater range of adjustment.

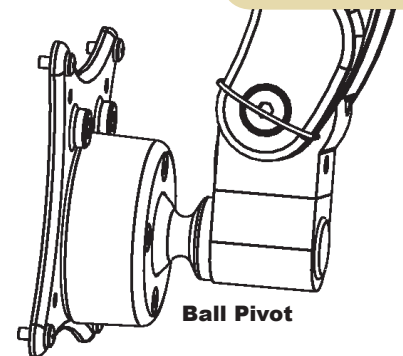
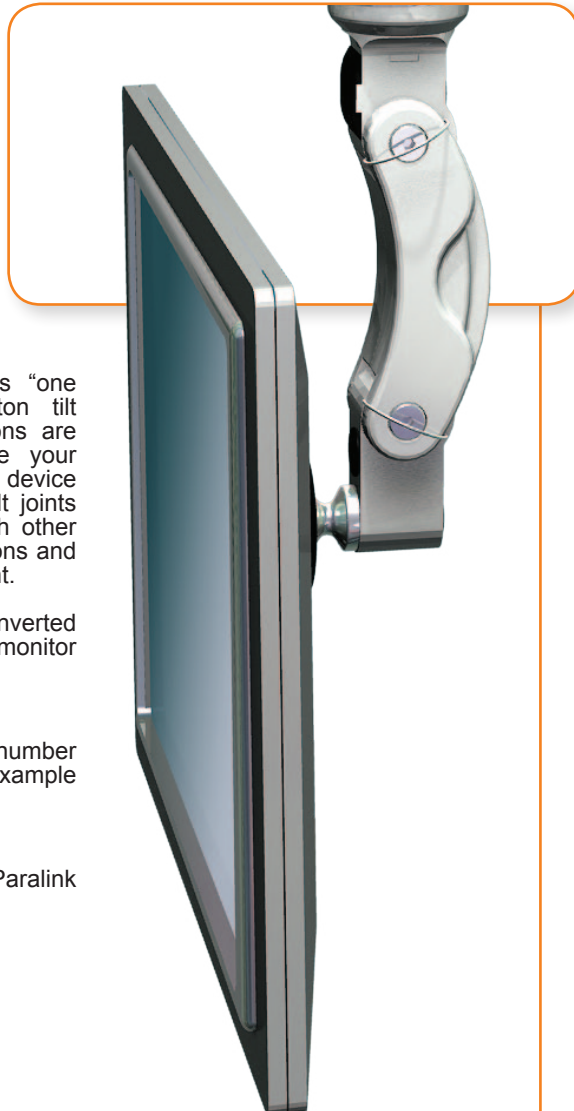
Paralink Swivel for inverted (mounted under the arm) monitor mounts on April 1st 2011.

Part Numbers

Identified as "Q" in model number in the family columns. Example "ELQ5280".

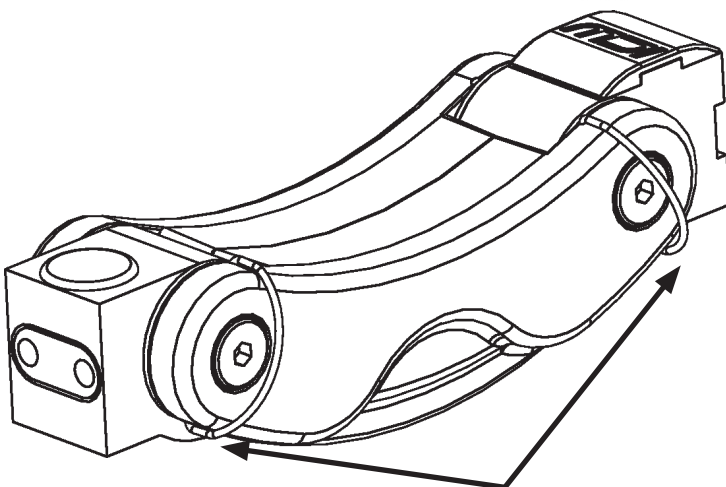
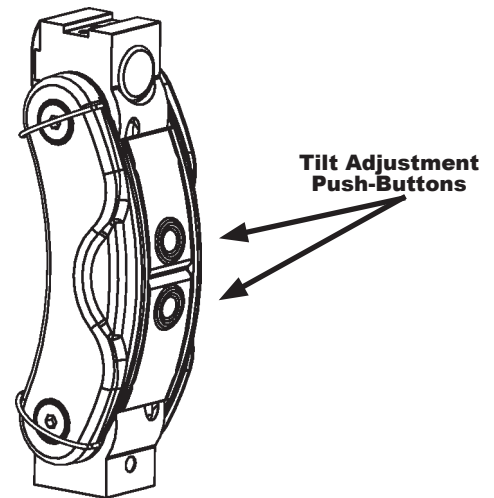
List Prices

Costs the same as its Paralink equivalents.

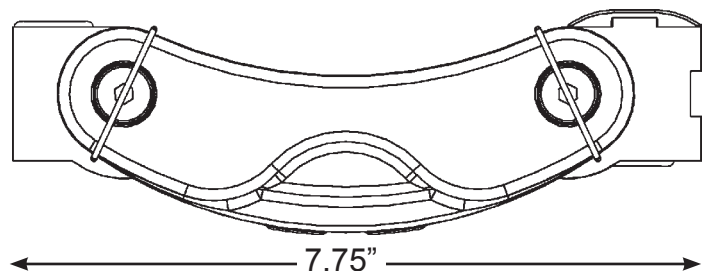


Features

- 2 independantly tilting joints
- Push-button locking tilt adjustment



Wire Management Clips



7.75"