



UV-CLEAN Self-Disinfecting KUV Keyboard Tray

- **PREVENTS** the spread of Healthcare Associated Infections (HAIs) and kills up to 99.9% of contagious pathogens.
- **PROMOTES** a healthy environment for both staff and patients.
- **INTELLIGENT** no-touch self-disinfecting system uses an automated cleaning cycle and its sensor detects motion for safe operation.
- **COVERTLY MOUNTS** beneath service tray and uses small dose of UV-C light to disinfect keyboard and keyboard tray.
- **UV LIGHT EFFECTIVELY** breaks down infectious pathogens across the entire length of 19" ICW keyboard tray.
- **CHEMICAL-FREE** disinfecting technology is second line of defense against the spread of infectious microorganisms.
- **NON-CHEMICAL** approach to disinfection. Ultraviolet disinfection makes UV-CLEAN a simple low-maintenance and powerful solution.
- **CONVERSION KITS for existing ICW keyboards available.**

Healthcare Associated Infections (HAIs) Impact Patient Health & Safety

1 out of 31
patients develop
a HAI

1.7 MILLION
HAIs occur in U.S.
hospitals each year

80%
of pathogens are
transferred by touch

98,987
deaths per year are
caused by HAIs

\$15,275
is the average additional hospital
cost per HAI contracted patient

Sources / Enhanced terminal room disinfection and acquisition and infection caused by multi-drug-resistant organisms and *Clostridium difficile*. / "HAI" Centers for Disease control and Prevention, 07 Aug. 2012 / Lancet 2017; 389: 805-14 Infection control and hospital epidemiology July 2011, vol. 32, no. 7 / Office of Disease Prevention & Health Promotion / The Secret Life of Germs. P Tierno, Atria Books 2001 / Accessing hand hygiene compliance among healthcare workers in six intensive care units



For more information, contact your ICW representative or talk to one of our customer service representatives at 1-800-558-4435.

UV-CLEAN Self-Disinfecting Light Effectiveness

Clinical study demonstrated efficacy of UV-CLEAN self-disinfection device.

Study involving 52 computer workstations, including mobile computing carts and wall mounted workstations, proved automated UVC disinfection is effective at eliminating harmful pathogens and is the ideal complement to existing disinfection and hand hygiene protocols.

Clinical Study Results

A variety of bacteria was isolated on the mobile computing carts and wall mounted computer workstations as shown in Figure 2. After installation of the UV-CLEAN unit, all samples came back negative for growth on all surfaces swabbed indicating a 100% reduction in keyboard bio burden as shown in Figure 3.



PRE-DISINFECTION KEYBOARD ANALYSIS

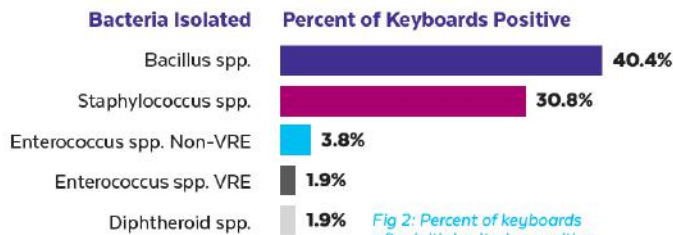


Fig 2: Percent of keyboards after initial culturing positive for various bacteria isolates.

POST-DISINFECTION KEYBOARD ANALYSIS

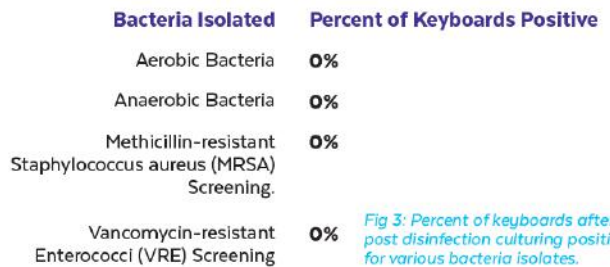
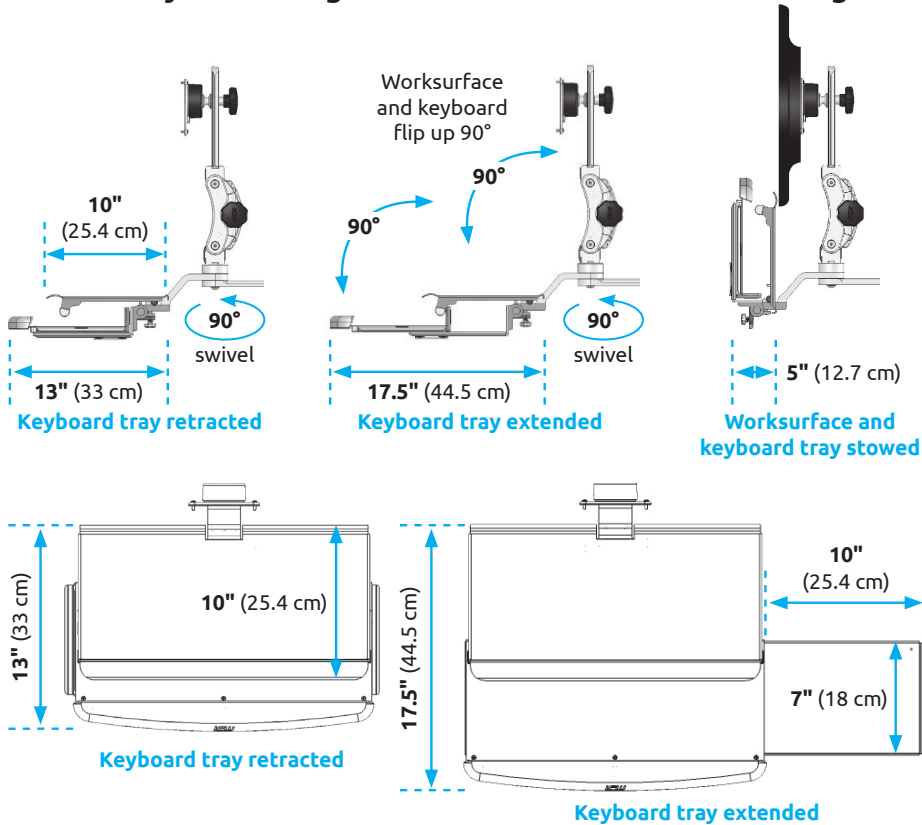
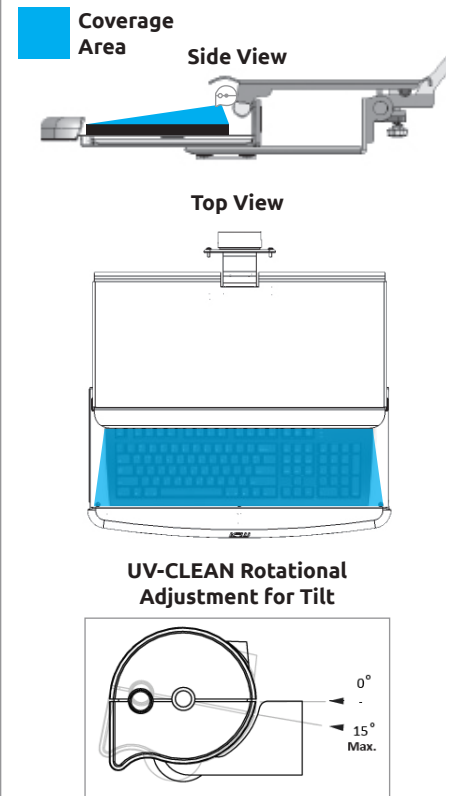


Fig 3: Percent of keyboards after post disinfection culturing positive for various bacteria isolates.

KUV Keyboard Range of Motion and Dimension Drawings



UV-CLEAN Light Coverage Area



ICWUSA.com, Inc.
 1487 Kingsley Drive
 Medford, OR 97504
 800-558-4435

Available in these 5 standard colors and 9 custom colors.

