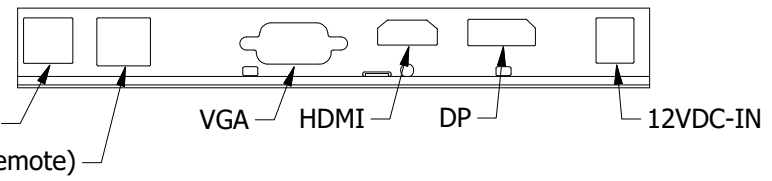


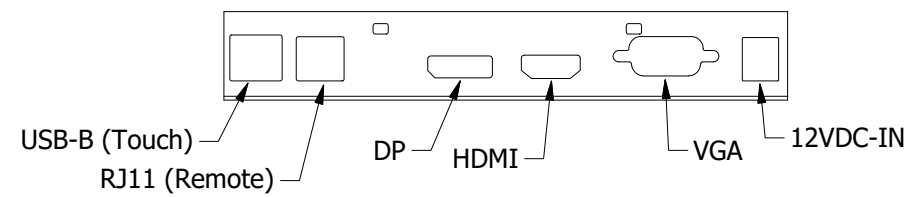
VESA holes are not on the centerline of front display

The distance between the back cover surface and the bottom of the screw hole is 8 mm. Please use four M4 screws with the proper length to mount your monitor.

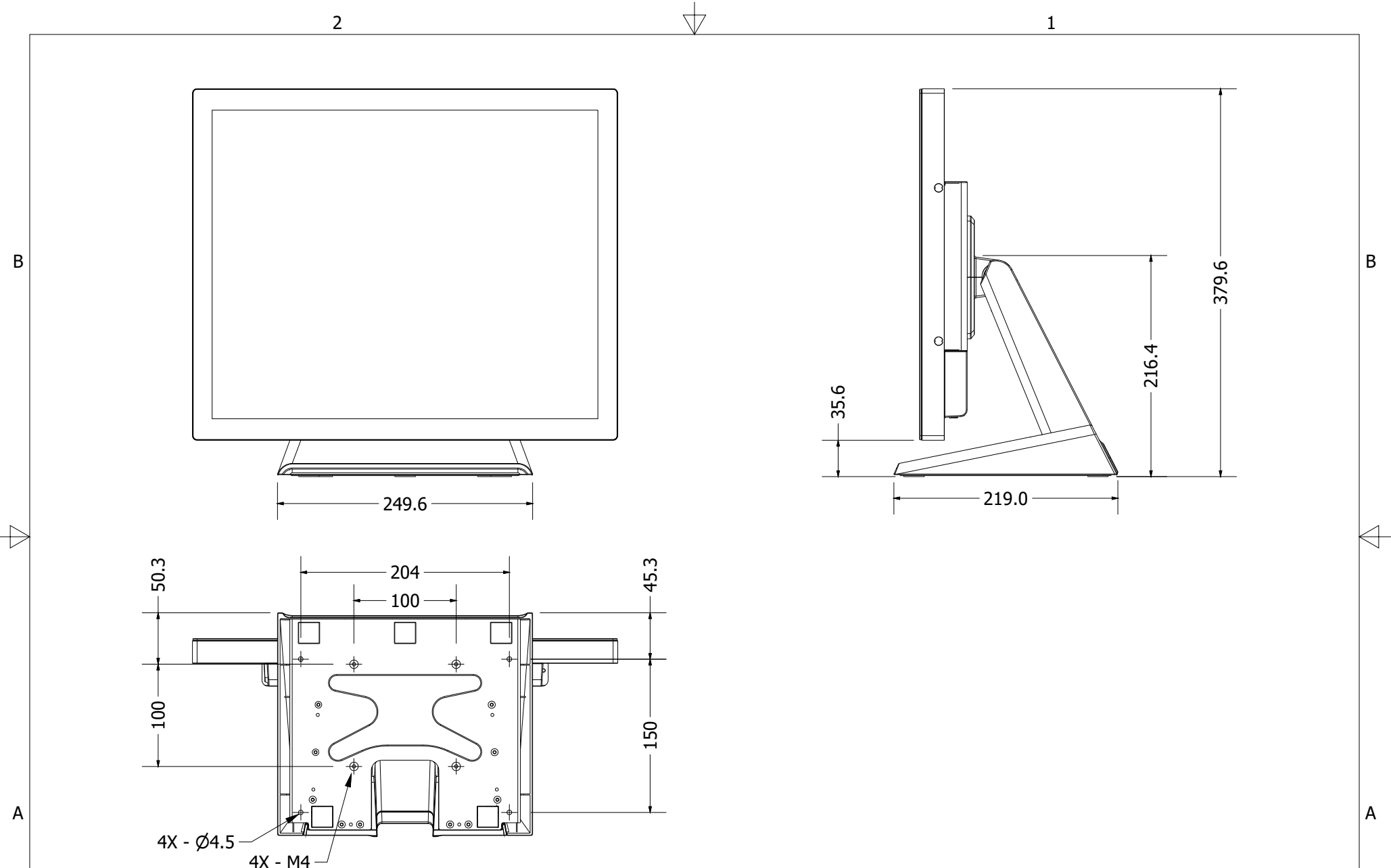
I/O Layout -M1 Version



I/O Layout -M2 and -M3 Version



				<p>THIS DRAWING AND OR TECHNICAL INFORMATION IS THE SOLE PROPERTY OF MICROTOUCH AND IS FURNISHED FOR AUTHORIZED USE ONLY AND ON THE UNDERSTANDING AND CONDITION THAT IT IS CONFIDENTIAL. NEITHER THIS DOCUMENT NOR THE INFORMATION DISCLOSED HEREIN SHALL BE DISCLOSED TO OTHERS, COPIED, REPRODUCED OR OTHERWISE TRANSFERRED TO OTHER DOCUMENTS, OR USED FOR MANUFACTURING OR ANY OTHER PURPOSE EXCEPT AS AUTHORIZED BY MICROTOUCH INTERACTIVE, LLC.</p>				<p>Maryville, TN 37804 - USA</p>	
				<p>TOLERANCING UNLESS OTHERWISE SPECIFIED ALL DIMS ARE mm</p>		<p>DR: MPB CK: Material: SCALE: NTS</p>		<p>DT-190P-MX Medical Grade Touch Monitor</p>	
				<p>X ± 0.20 RADIUS ± 0.15 .XX ± 0.10 ANGLES ± 0.5° DO NOT SCALE DRAWING</p>		<p>DATE: 3/5/2026 SHEET: 1 OF 2</p>		<p>VER. 01</p>	
						<p>DWG. No.</p>			
REV	DATE	DESCRIPTION		BY					



REV	DATE	DESCRIPTION	BY

THIS DRAWING AND OR TECHNICAL INFORMATION IS THE SOLE PROPERTY OF MICROTUCH AND IS FURNISHED FOR AUTHORIZED USE ONLY AND ON THE UNDERSTANDING AND CONDITION THAT IT IS CONFIDENTIAL. NEITHER THIS DOCUMENT NOR THE INFORMATION DISCLOSED HEREIN SHALL BE DISCLOSED TO OTHERS, COPIED, REPRODUCED OR OTHERWISE TRANSFERRED TO OTHER DOCUMENTS, OR USED FOR MANUFACTURING OR ANY OTHER PURPOSE EXCEPT AS AUTHORIZED BY MICROTUCH INTERACTIVE, LLC.

TOLERANCING
UNLESS OTHERWISE SPECIFIED
ALL DIMS ARE mm
.X ± 0.20 RADIUS ± 0.15
.XX ± 0.10 ANGLES ± 0.5°
DO NOT SCALE DRAWING

MicroTouch Maryville, TN 37804 - USA

DT-190P-MX
Medical Grade Touch Monitor

DR: MPB	CK:	Material:	SCALE: NTS
DATE: 3/5/2026			SHEET: 2 OF 2
DWG. No.			VER. 01

THIRD ANGLE VIEW

2

1