

MiniMag II™

Compact Intelligent MagStripe Swipe Reader

Full Functionality & Compact Size

The MiniMag™II Intelligent Reader delivers exceptional performance in brilliantly designed housing. It can read up to three tracks of magnetic stripe card data regardless of swiping direction or speed which increases usability. MiniMag's compact footprint is ideal for POS, security, loyalty and other applications where space is limited.

Easy to Use & Install

The uniquely designed flat surface allows for mounting in different orientations using threaded inserts or Velcro®. The cable can exit through the side or bottom which provides flexibility in mounting options.

Multiple Interfaces to Meet Your Needs

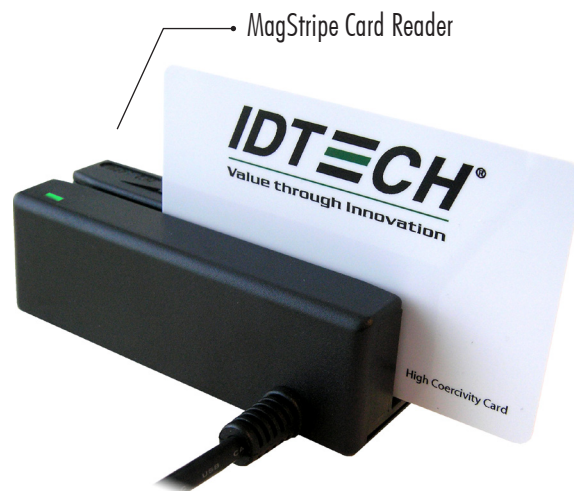
The MiniMag II is an intelligent swipe reader with six communication interfaces: keyboard (PS/2) wedge, USB keyboard, USB-HID, RS232, RS232 Port Powered, and USB-CDC serial interfaces. JPOS and OPOS drivers are also available.

Many Programmable Features

The MiniMag II is a fully programmable reader. Reader output format can be customized with user-friendly, Windows-based MagSwipe Configuration Utility. For example, after reading and validating card data, the unit can be programmed to parse the data, insert control characters, and add prefix/suffix characters while maintaining data integrity through vertical and longitudinal error checking. The reader also includes language options to ensure that the correct data is sent to the terminal.

Features and Benefits:

- Interfaces: Keyboard, RS232, RS232 Port Powered, USB keyboard, USB-CDC, or USB-HID
- User-Friendly configuration software, simplified data editing and configuration
- Discriminates card data formats between AAMVA and CA DMV
- Reads up to three tracks of information
- Reliable MagStripe reader for a minimum of one million card swipes
- Clear identification of successful card reads with a beeper and LED indicators
- Can be used free-standing or mounted to work with a variety of applications
- Threaded inserts for easy and flexible mounting



IDTECH 
Value through Innovation

MiniMag II™

Specifications IDMB-33XXXX

Electrical

Power Requirements:	+ 5 VDC, $\pm 10\%$, 50mV ripple maximum Keyboard (PS/2), 40mA maximum RS232, 70mA maximum USB-HID, USB-CDC, and USB-KB, 70mA maximum
Interfaces:	Keyboard (PS/2), RS232, RS232 Port Powered, USB-KB, USB-HID, USB- CDC
Card Speed:	5 to 65 ips (7.6 to 165 cm/s)

Environmental

Operating Temperature:	-40°F to 167°F (-40°C to 75°C)
Storage Temperature:	-40°F to 185°F (-40°C to 85°C)
Humidity:	Maximum 95% non-condensing, dry storage

Reliability

Operating Life:	1,000,000 card swipes minimum
Warranty:	Two years, parts and labor

Mechanical

Dimension (L)x(W)x(H):	3.54 inches (90 mm) x 1.34 inches (34 mm) x 1.10 inches (28 mm)
Media Thickness:	0.015 inches (0.381 mm) to 0.05 inches (1.27 mm)
Media Formats:	ISO 7811, AAMVA, and other F2F formats
Slot Width:	0.040 inches (1.37 mm)
Swipe Speed:	3 to 60 inches per second, bidirectional
Weight:	4.6 oz.
Indicators:	Tri-colored LED, beeper (excluding on port-powered model)
Cable Length:	6-foot side exit cable (Bottom exit is an option)
Cable Connector:	Keyboard - 6 pin mini-DIN, RS232 DB9F

United States Sales Office

Corporate Headquarters

10721 Walker Street
Cypress, CA 90630
Phone: (714) 761-6368
Toll Free: (800) 984-1010
Fax: (714) 761-8880
sales@idtechproducts.com

International Sales Offices

Asia

+ 866-3-496-6988 (Taiwan)
asia@idtechproducts.com.tw

Canada

+ 450-465-5261
robertop@idtechproducts.com

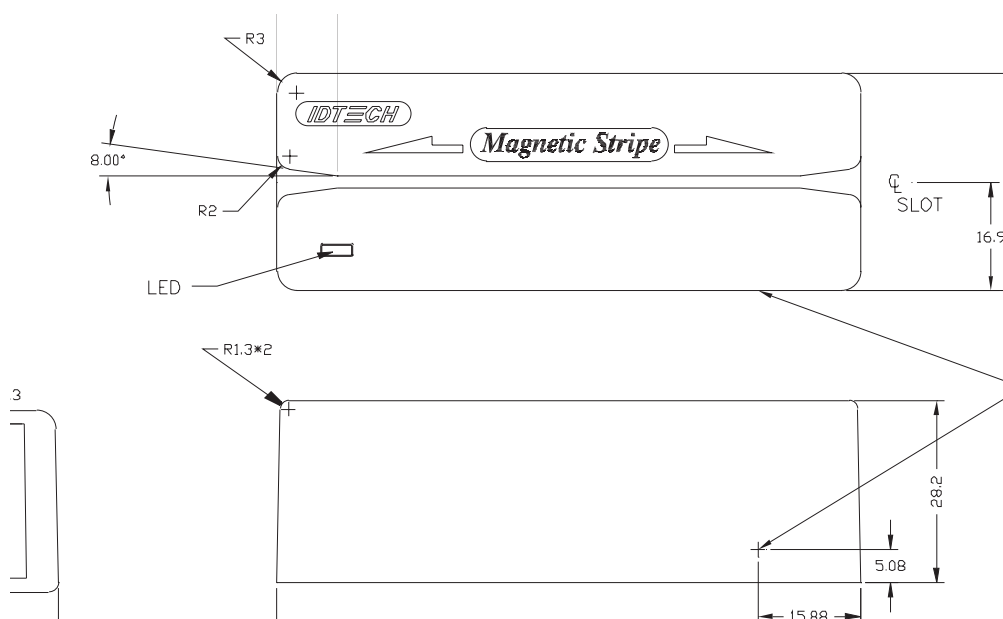
South America

+ 55-11-3079-2255
internationalsales@idtechproducts.com

Europe

+ 011 44 1925 269550
emea@idtechproducts.com

ISO 9001 Certified



Value through Innovation

www.idtechproducts.com