

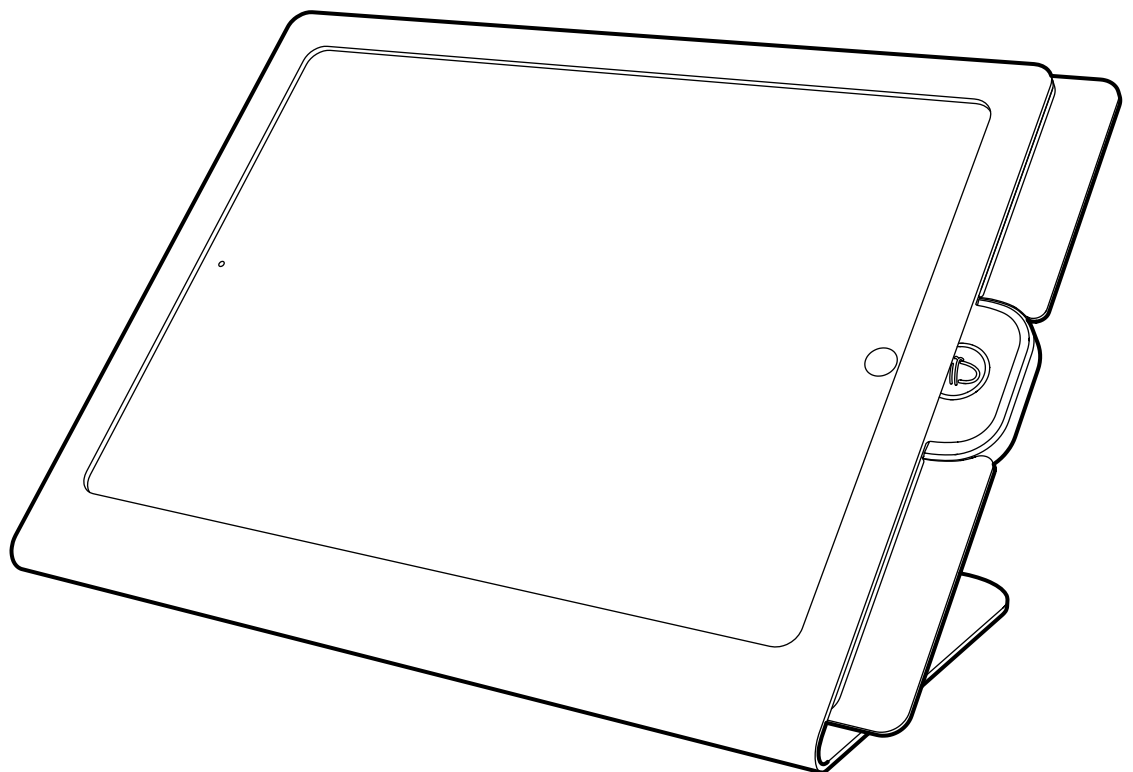
# WindFall® CHECKOUT STAND



Point-of-Sale Stand for iPad Pro 12.9-inch

---

Assembly & Installation



## Compatible with:

iPad Pro (12.9-inch)

## Limited Warranty

Heckler Design warrants your product to be free from defect in material and workmanship for a period of two years from the original date of purchase. Electronic components are warranted to be free from defect for a period of one year from the original date of purchase. If you discover a defect, please contact [service@hecklerdesign.com](mailto:service@hecklerdesign.com). Heckler Design will repair, at our discretion, using new or refurbished components. If repair is not possible, Heckler Design will replace the item.

1x



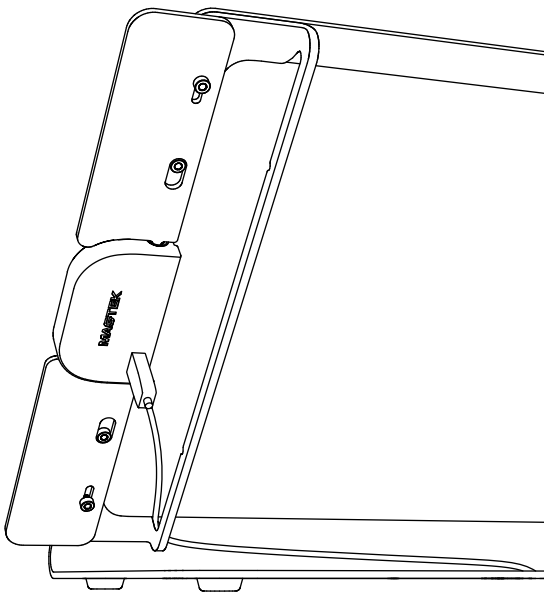
M3 Hex Key  
F529



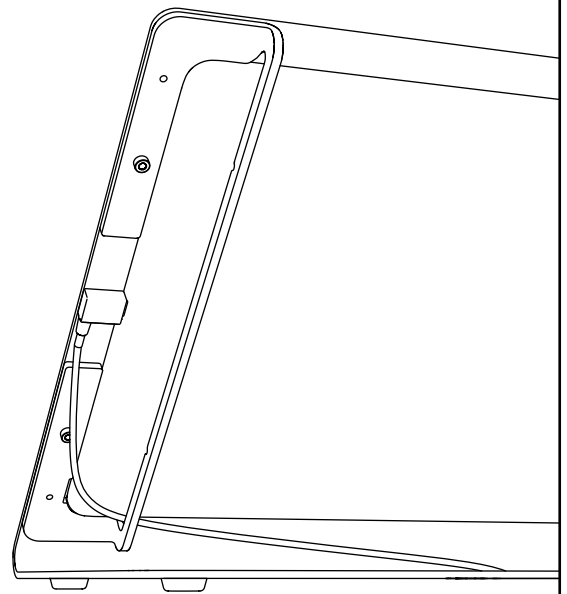
Keep your **special** assembly tool in a safe place. To purchase a replacement, please contact [service@hecklerdesign.com](mailto:service@hecklerdesign.com).

## Assemble With Or Without iDynamo 5 Features

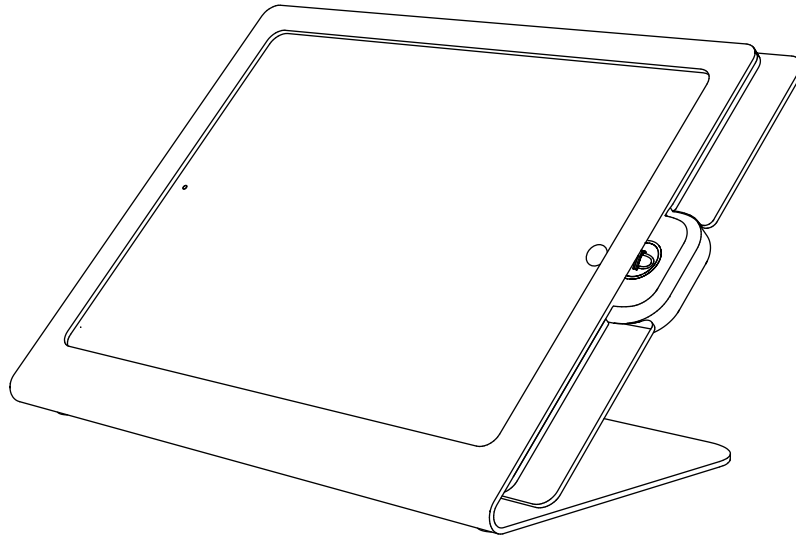
With iDynamo 5



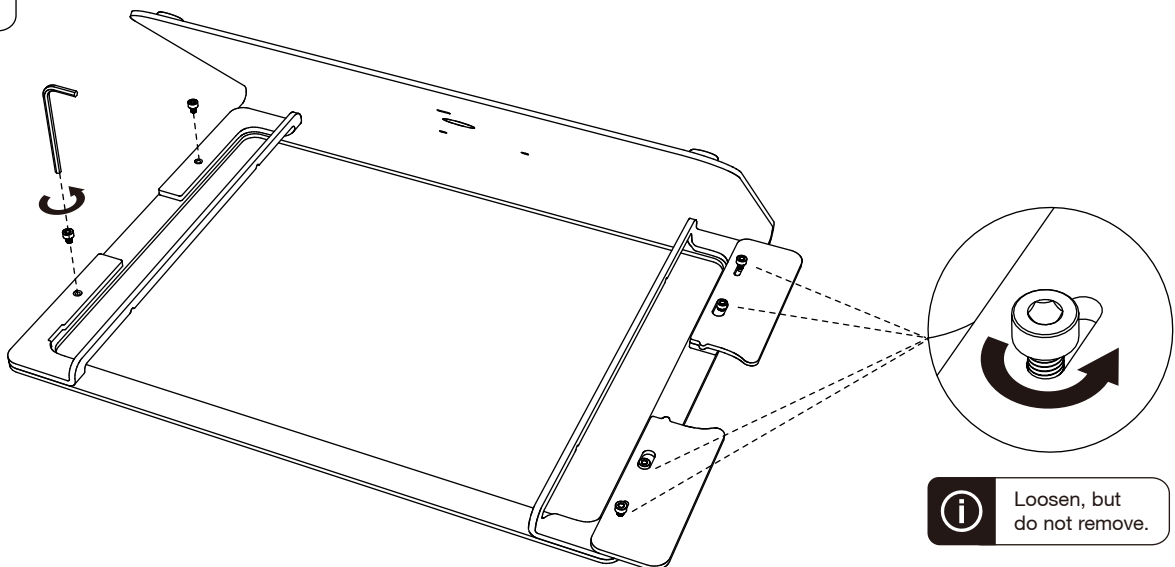
Without iDynamo 5



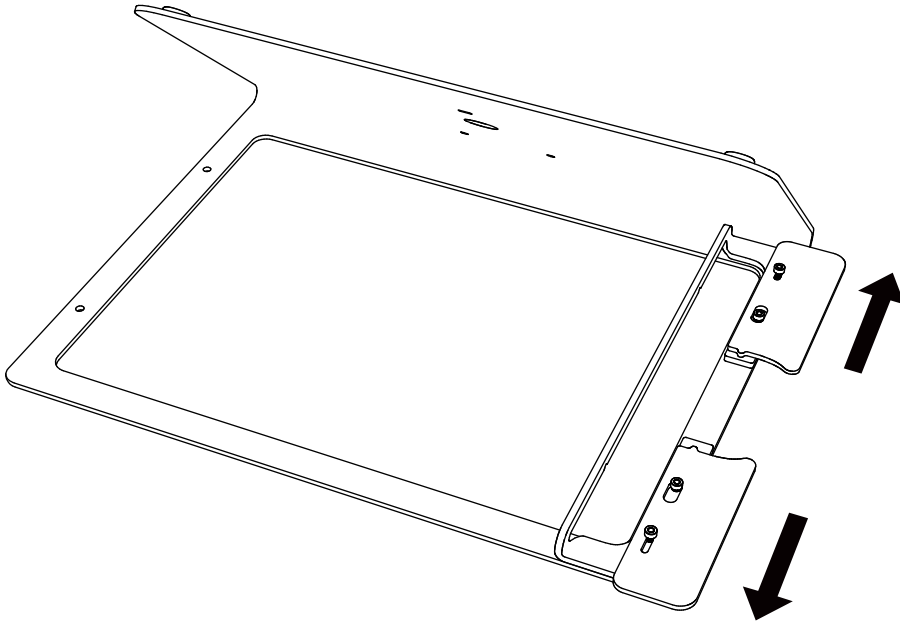
# With iDynamo 5



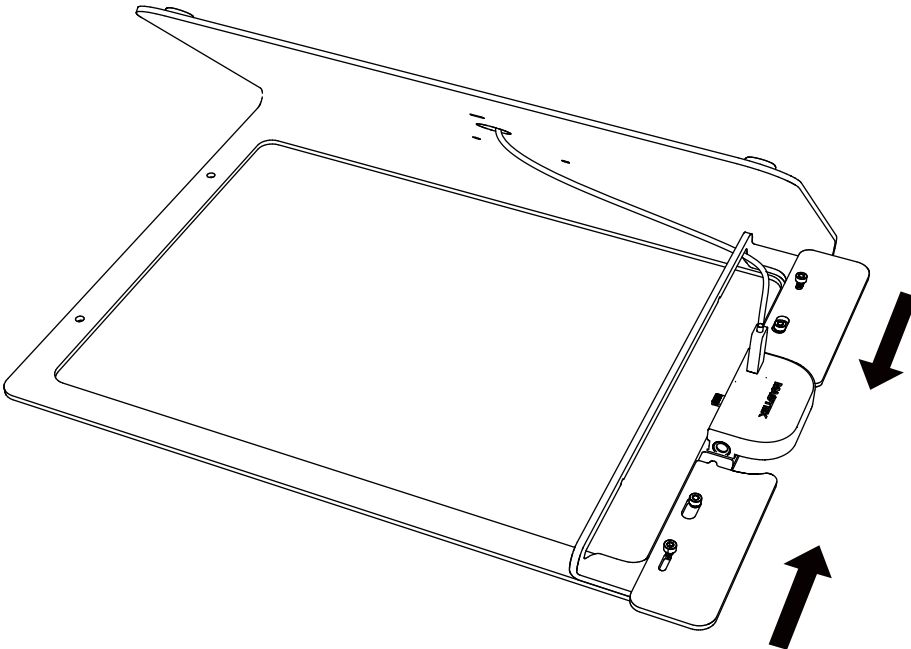
1



2

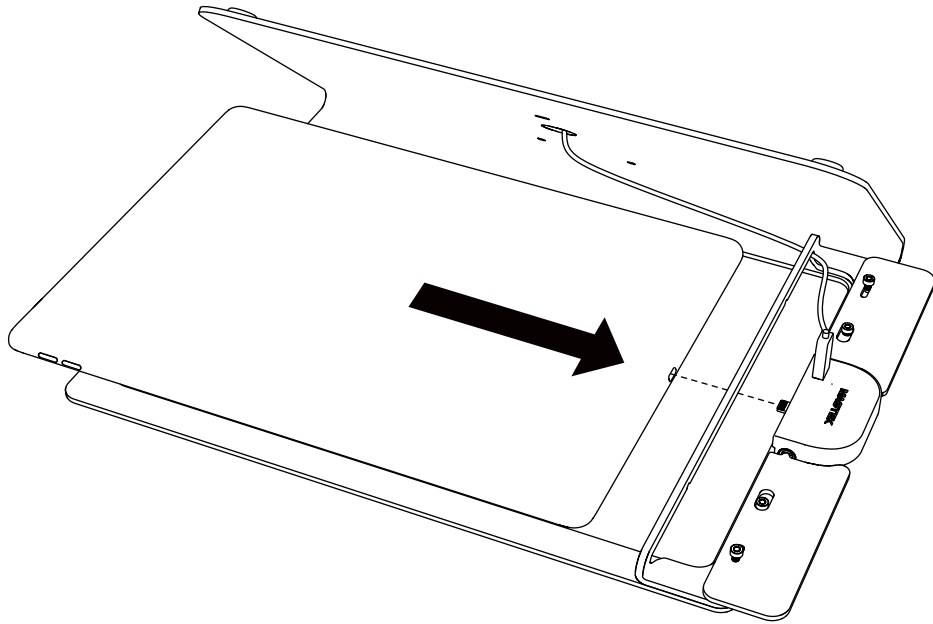


3

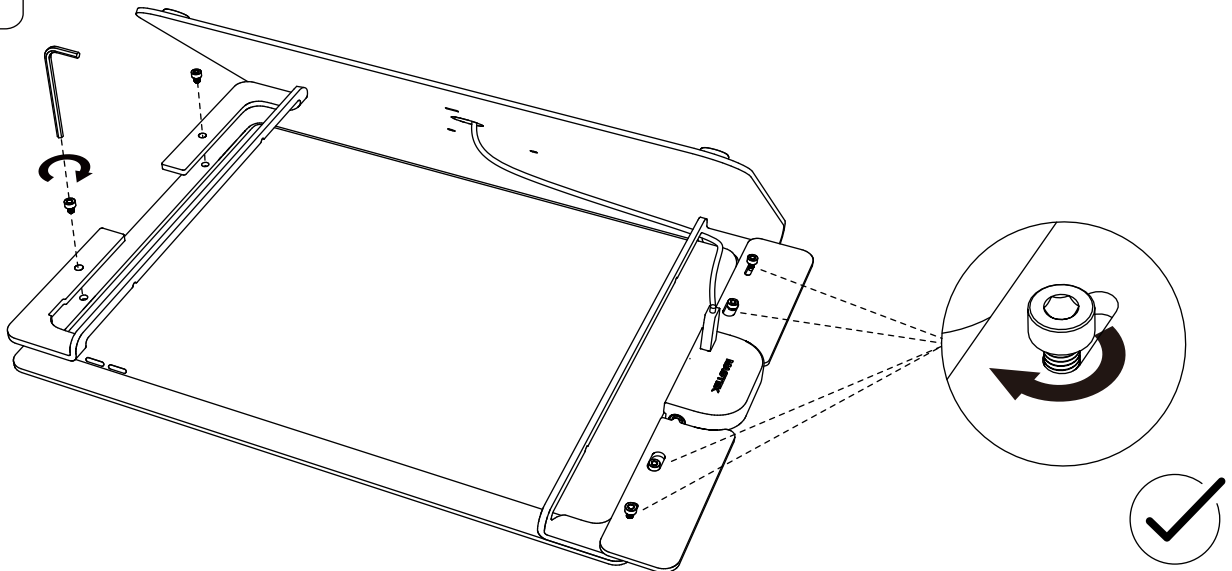


4

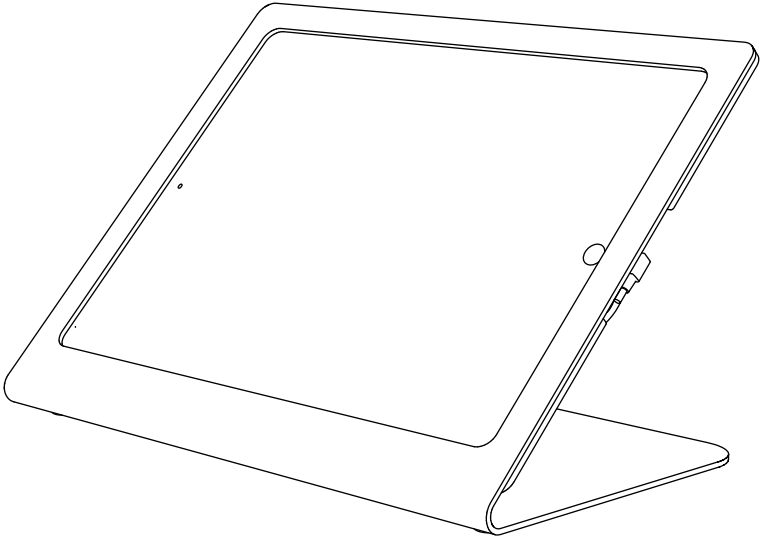
4



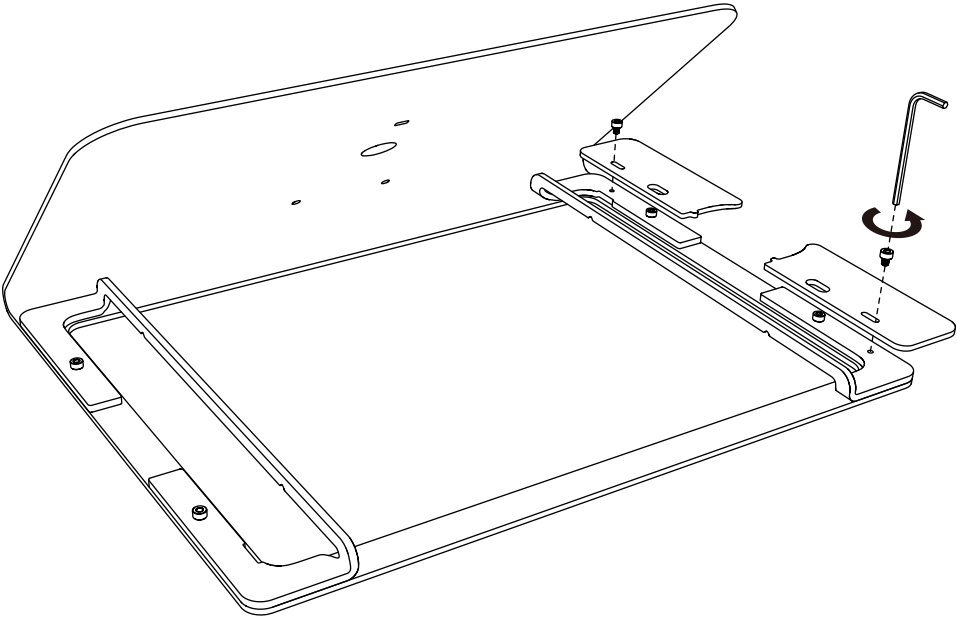
5



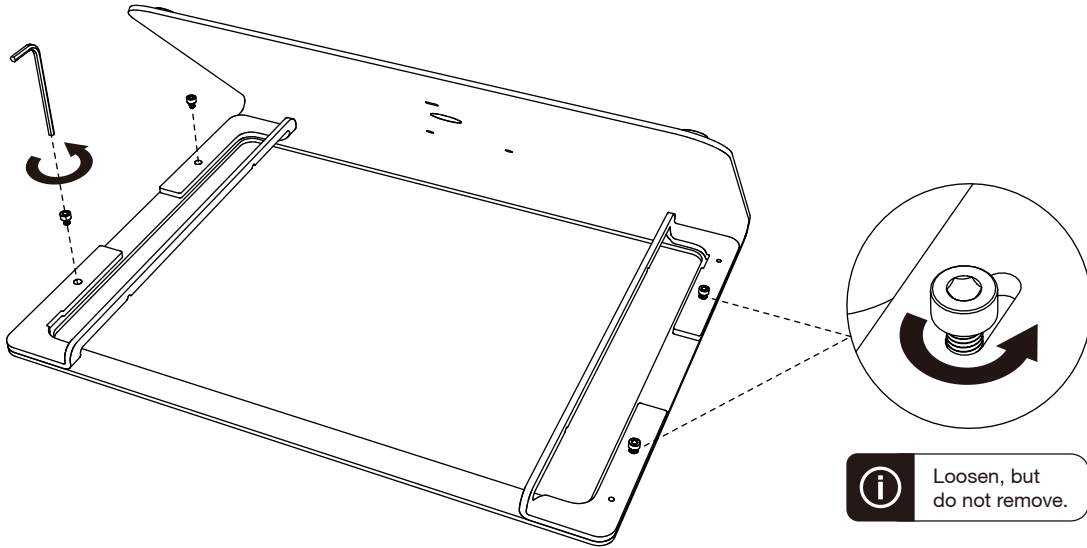
# Without iDynamo 5



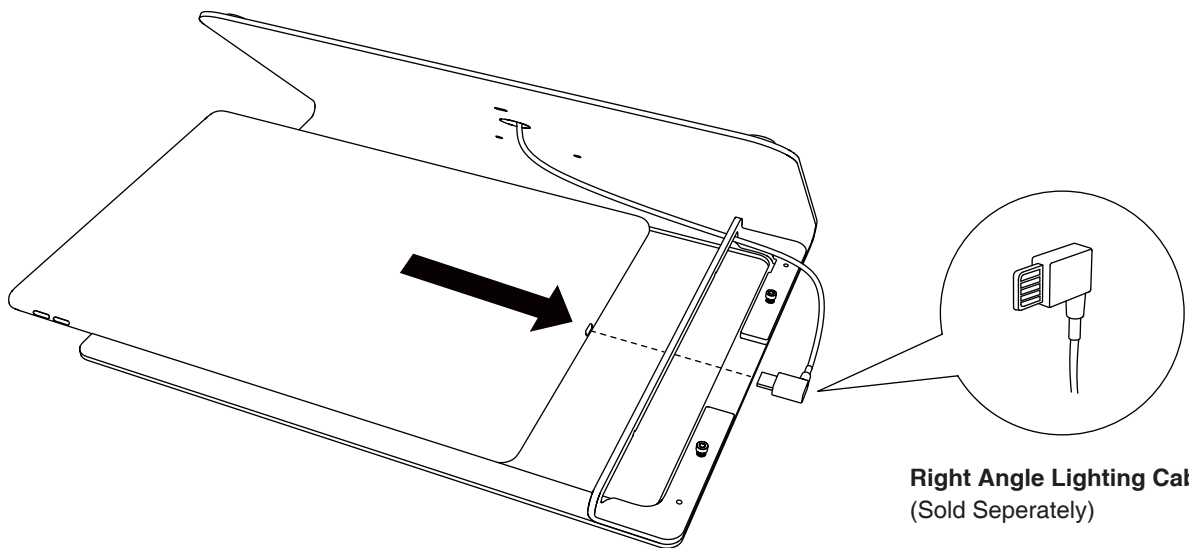
1



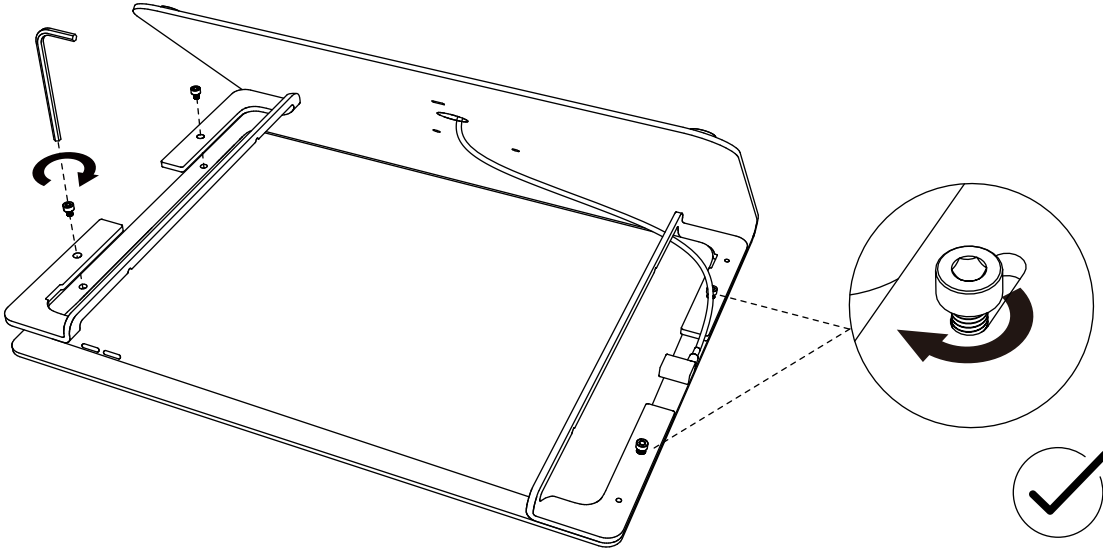
2



3

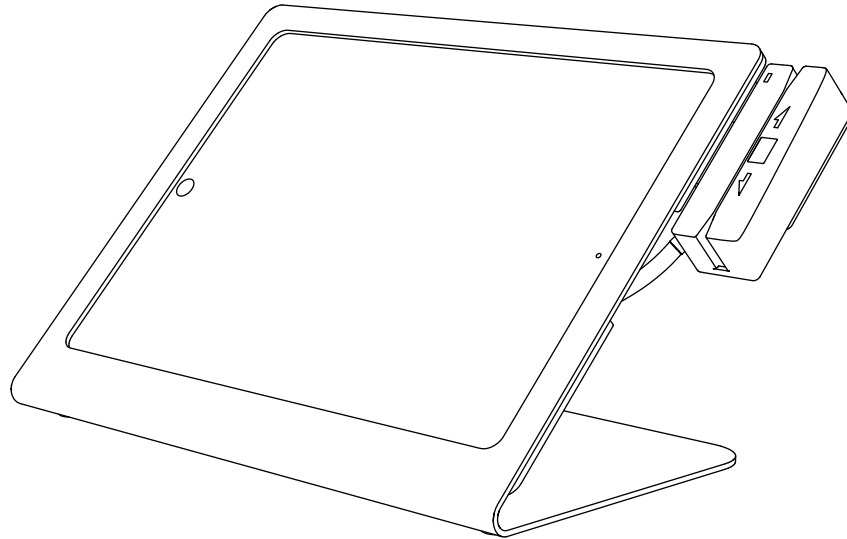


4



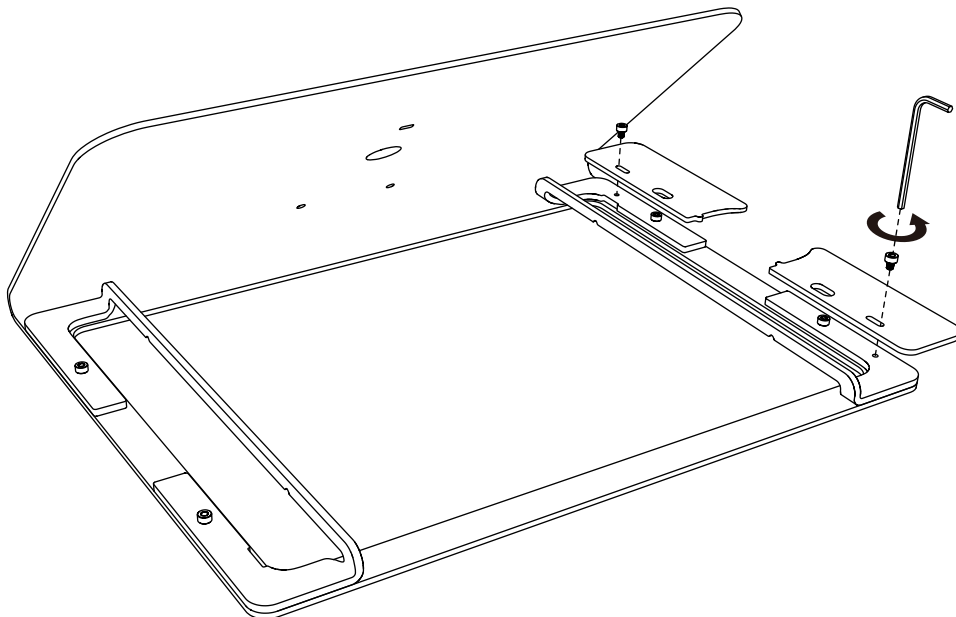


# Installing Magtek Dynamag or IDTech SecureMag or MiniMag

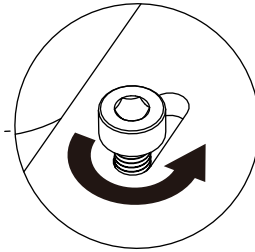
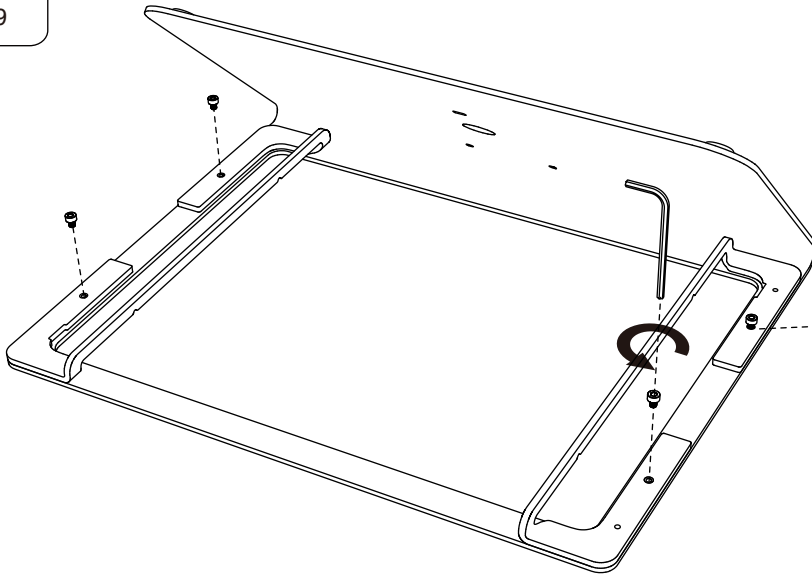



**External Reader Bracket**  
(Sold Separately)

**1**

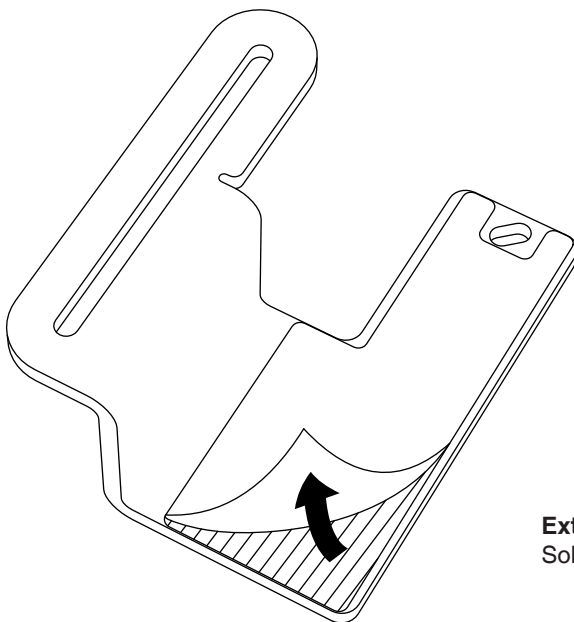


2



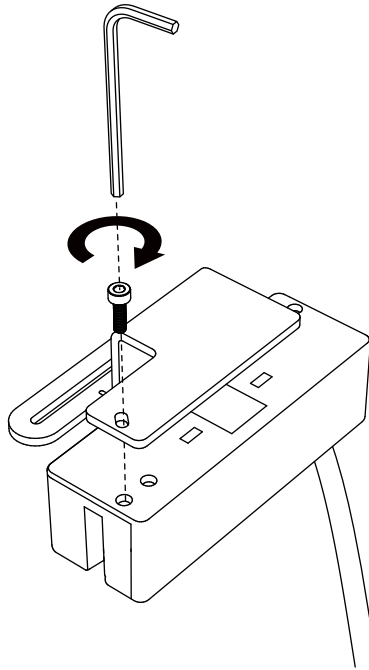
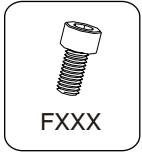
 Loosen, but do not remove.

3

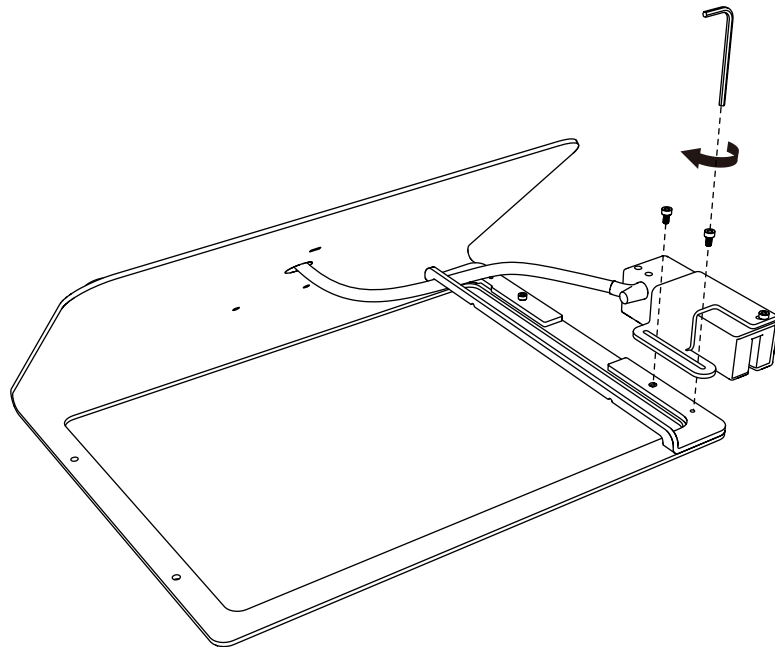


**External Reader Bracket**  
Sold Separately at [hecklerdesign.com](http://hecklerdesign.com)

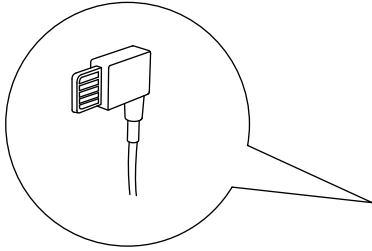
# 4



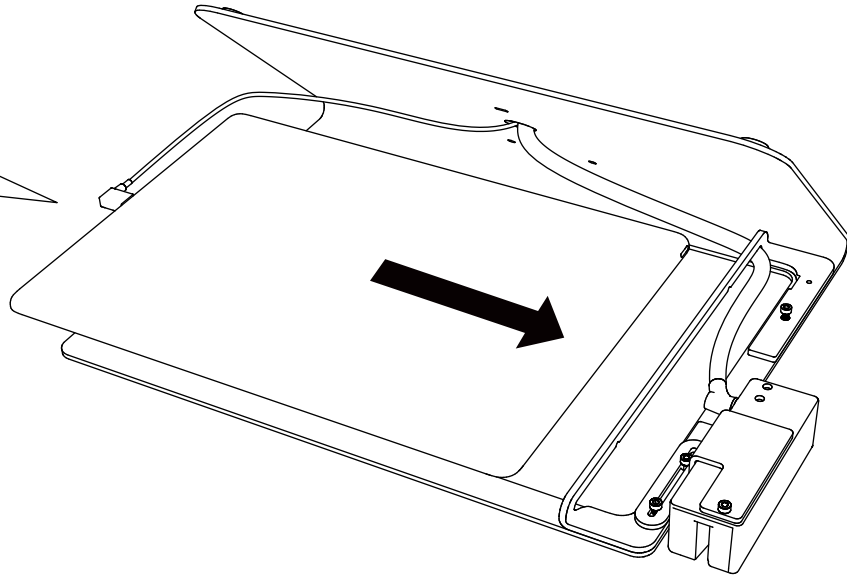
# 5



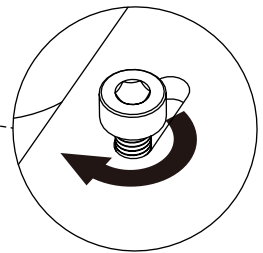
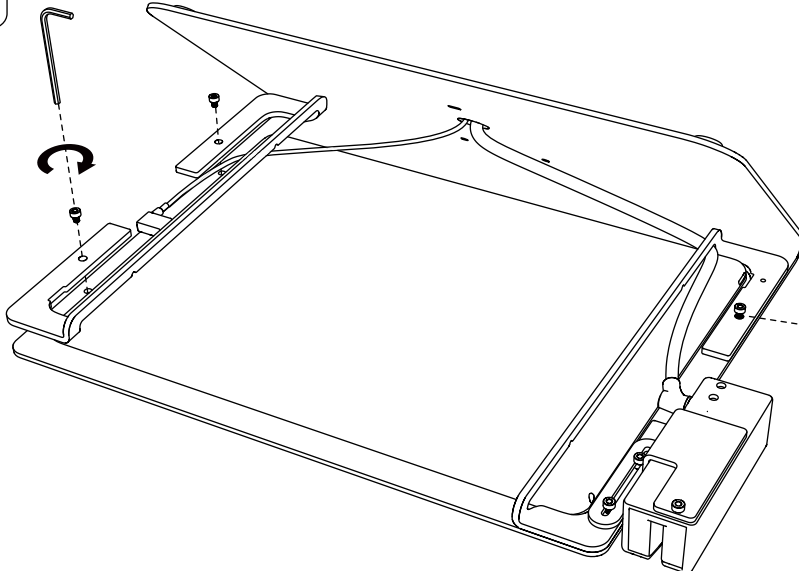
# 6



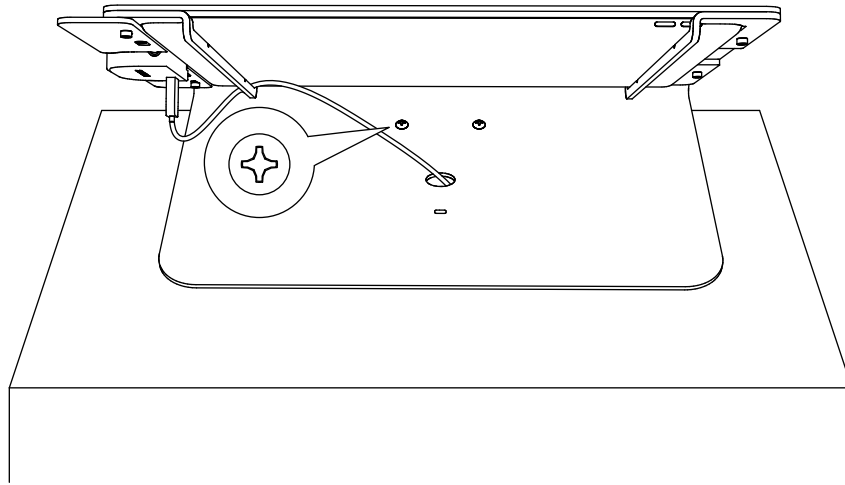
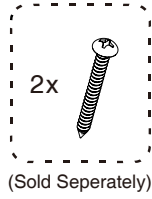
**Right Angle Lighting Cable**  
(Sold Separately)



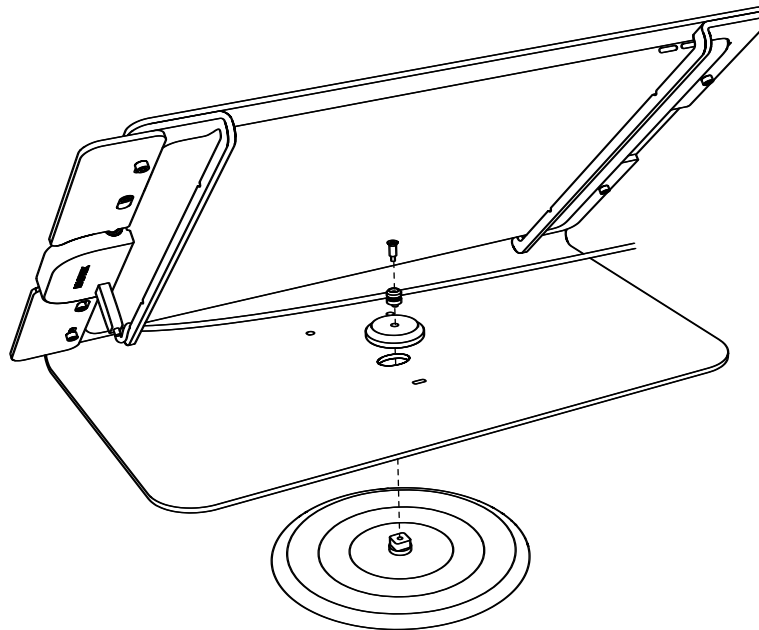
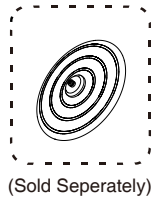
# 7



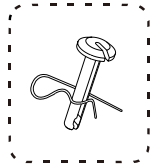
## Counter Mounting



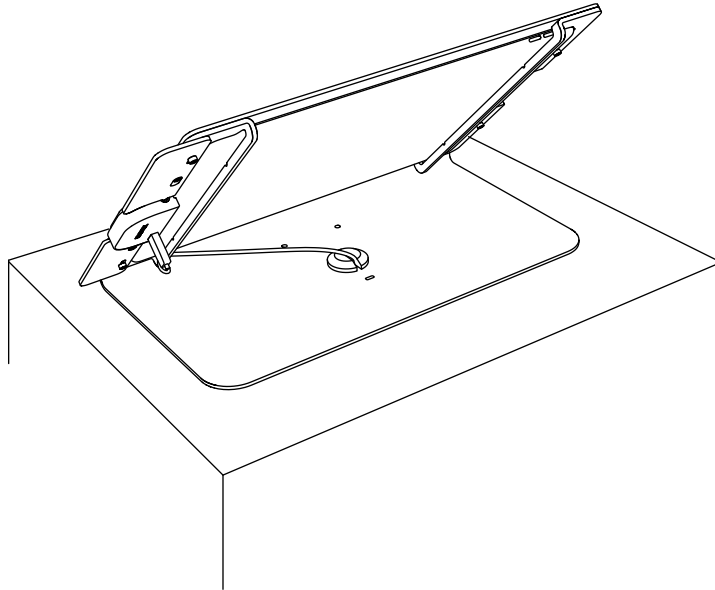
## PivotTable



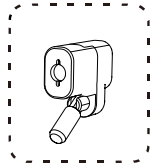
## PivotTack



(Sold Separately)



## Kensington ClickSafe Cable Lock



(Sold Separately)

