

10.4" Touch Screen Monitor

V10 Series

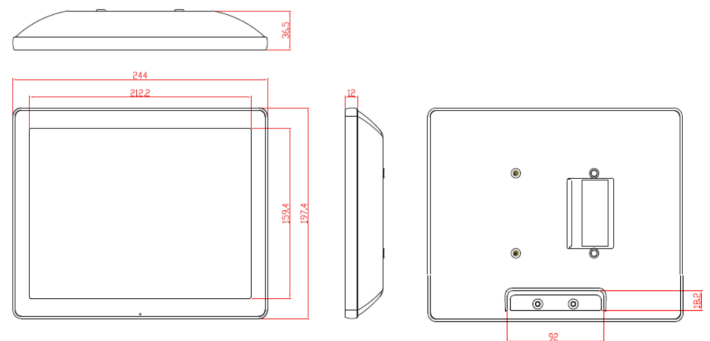
Features:

- Resistive touch screen (USB)
- Single USB cable provides power, video, and touch
- Easy installation
- Multiple mounting options
- Three year warranty
- Weighs less than 2 pounds
- Perfect for point of purchase applications, customer displays, digital signage, or as a secondary monitor



The V10 Series display utilizes DisplayLink™ technology that provides power, video and touch functionality all through a single USB cable. No VGA/DVI or power cables are necessary, making it easy to install almost anywhere.

The V10 Series display can be used either in a stand-alone configuration or as a secondary display attached to a primary POS device. It also features VESA mounting options making it easy to add a desktop stand or a variety of pole mount options.



SPECIFICATIONS	
Display Size	10.4"
Optimal Resolution	800x600
Panel Brightness	350 cd/m ² (typ)
Contrast Ratio	500:1 (typ)
Response Time 20ms	25ms (typ)
Viewing Angle	140(H) x 120(V) (typ)
Input Video Signal	USB B-Type
Touch Screen	Resistive Touch (USB)
Power consumption	2.5W
Input Frequency	Horizontal: 31.5-60.2 kHz; Vertical: 56.3Hz~75Hz
Power supply	DC 5V±10%
Temperature	Operating: 0°C - 40°C (32°F - 104°F) ; Storage: -10°C - 50°C (no condensation)
Humidity	Operating: 20% - 80%; Storage: 10% - 90% (no condensation)
Weight	0.86kg
Dimensions (WxHxD) mm	224 x 197.4 x 36.5
Certifications	CE,FCC
Mounting	VESA 75 x 75 mm