

# ASSEMBLY INSTRUCTIONS, ELO SELF SERVICE STAND



E062324 ELO-STAND-SELF-SERVICE-COUNTERTOP

E062510 ELO-STAND-SELF-SERVICE-FLOOR EXT

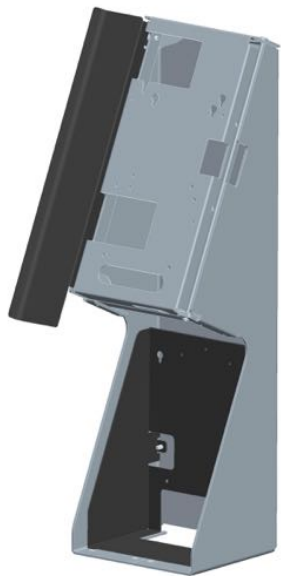
E062704 KIT-EMV-CRADLE-VF-MX915-ING-ISC250

E062899 KIT-EMV-CRADLE-INGENICO-IPP350

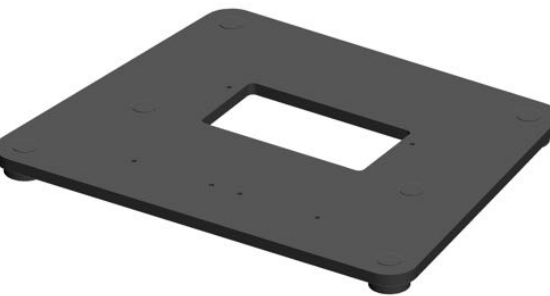


Tie-wrap  
Qty. 2

2.5mm hex wrench  
Qty. 1



Top Assembly  
Qty. 1



Desk-top Base  
Qty. 1

Screws		
Bag <b>A</b>	Qty.2	SCREW, M4X10, ROUND-HEAD, FLANGE, HEX
Bag <b>B</b>	Qty.4	SCREW, M4X10, FLAT-HEAD, HEX
Bag <b>C</b>	Qty.3	SCREW, M3X8, PAN-HEAD, CROSS-RECESS,
Bag <b>D</b>	Qty.4	SCREW, 3mm X8L, THREAD-FORMING, PAN-HEAD
Bag <b>I</b>	Qty.4	SCREW, M4X8, PAN-HEAD, CROSS-RECESS

# Contents for Kit: E062510, ELO-STAND-SELF-SERVICE-FLOOR EXT

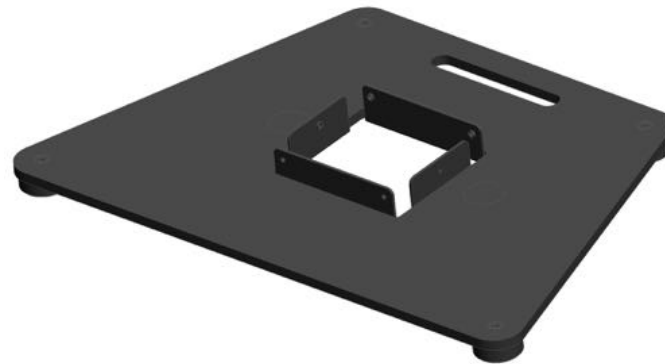


Straps  
Qty. 3

Screws		
Bag <b>K</b>	Qty.6	SCREW, M5X10, FLAT-HEAD, CROSS-RECESS
Bag <b>L</b>	Qty.2	SCREW, M4X6, PAN-HEAD, CROSS-RECESS



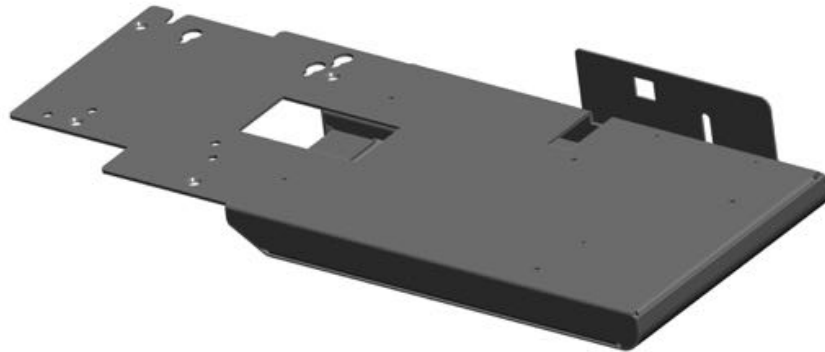
Tower Assembly  
Qty. 1



Floor Base  
Qty. 1

## Contents for Kit: E062704, KIT-EMV-CRADLE-VF-MX915-ING-ISC250

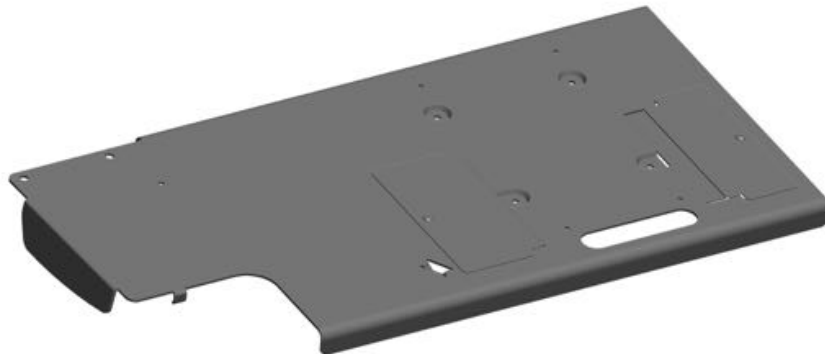
EMV Bracket assembly  
Qty. 1



Screws		
Bag <b>E</b>	Qty.4	SCREW, M4X10, PAN-HEAD, CROSS-RECESS
Bag <b>F</b>	Qty.4	SCREW, M4X6, FLAT-HEAD, CROSS-RECESS
Bag <b>G</b>	Qty.3	SCREW_M4X10_SPECIAL PAN-HEAD, CROSS-RECESS
Bag <b>H</b>	Qty.3	SCREW_M3X8_SPECIAL PAN-HEAD, CROSS-RECESS

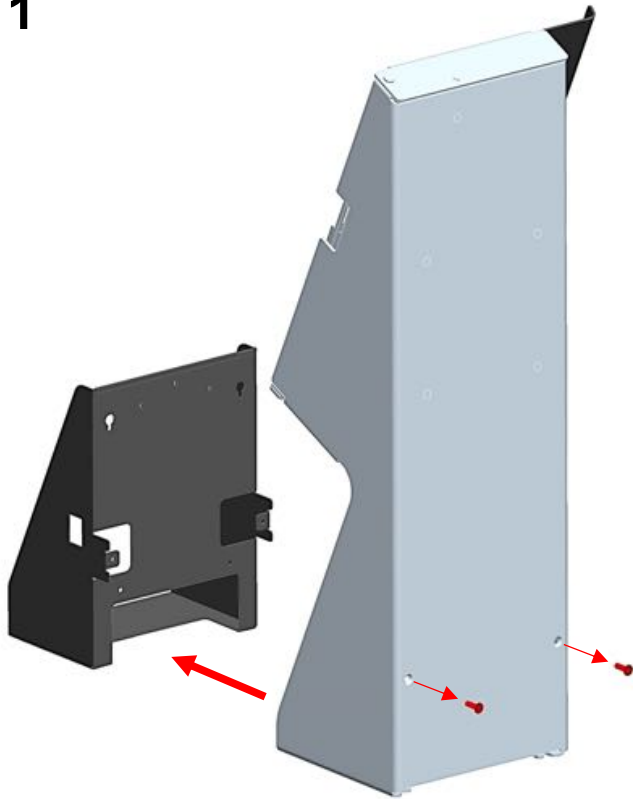
## Contents for Kit: E062899, KIT-EMV-CRADLE-INGENICO-IPP350

EMV Bracket assembly  
Qty. 1



Screws		
Bag <b>E</b>	Qty.4	SCREW, M4X10, PAN-HEAD, CROSS-RECESS
Bag <b>I</b>	Qty.4	SCREW, M4X8, PAN-HEAD, CROSS-RECESS
Bag <b>J</b>	Qty.2	SCREW, #10,0.5"L, PAN-HEAD, THREAD-FORMING,CROSS-RECESS

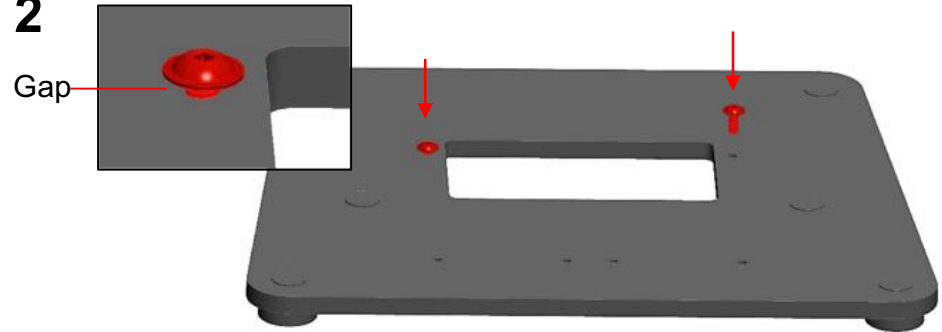
1



Remove and save (2) screws on rear of stand with provided hex wrench, pull out printer tray.

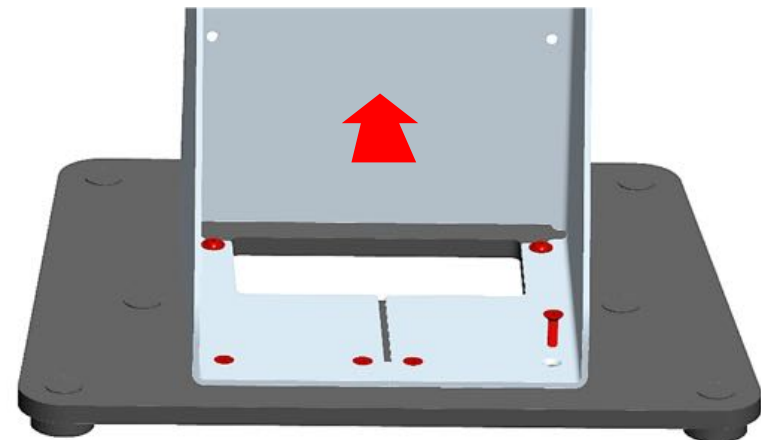
For Floor Stand, go to step **4**  
For Countertop Stand, continue to step **2**

2



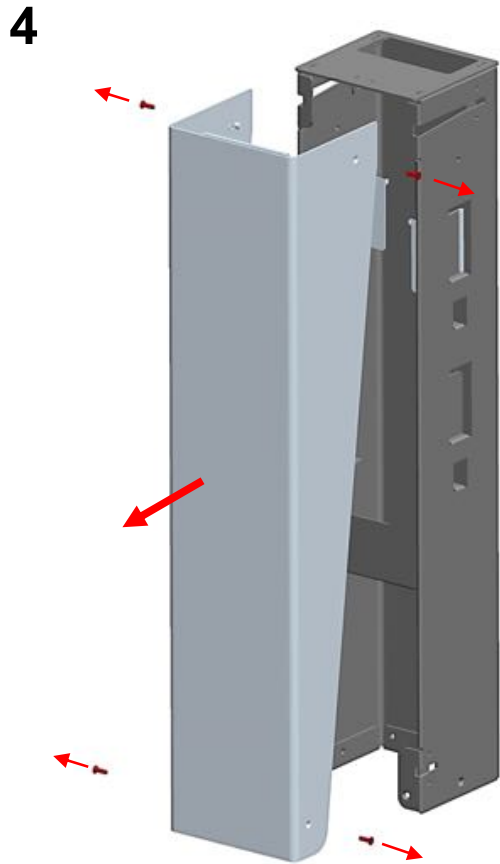
Add (2) screws from bag "A";  
leave ~3mm (1/8") gap for stand.

3

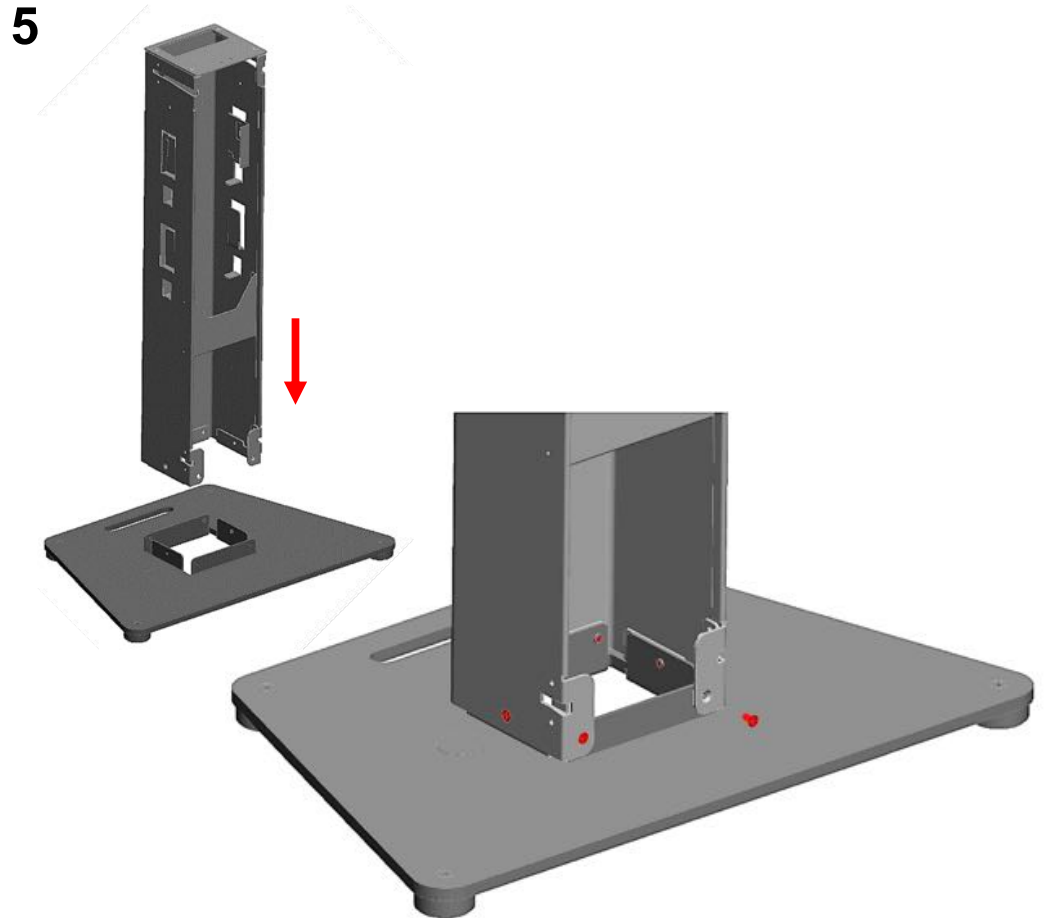


Align slots on bottom rear of stand with (2) screws on base and slide on stand. Add (4) screws from bag "B". Tighten (2) screws at rear.

Continue to step **12** for Countertop Stand



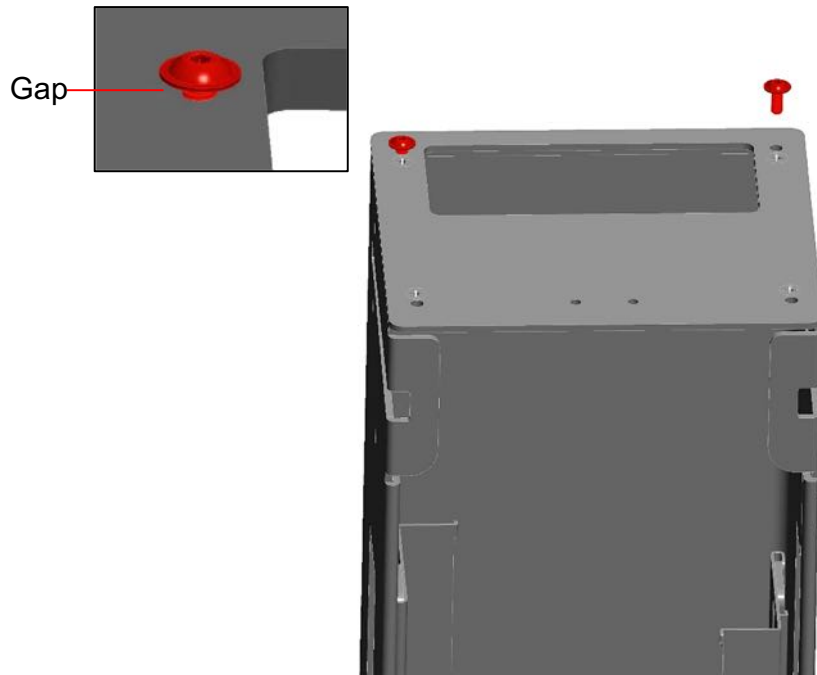
Remove and save (4) hex-head screws on the left and right of the stand with provided hex wrench. Pull off the silver cover and set aside.



Assemble base plate to tower using (6) screws from bag "K".

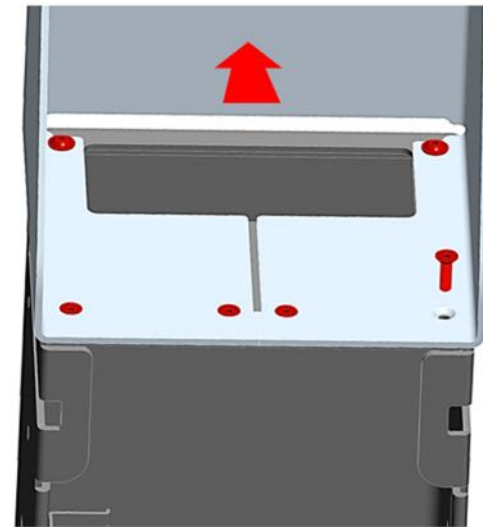
Continue to step **6** for Floor Stand

6



Add (2) screws from bag “A”;  
leave ~3mm (1/8”) gap for stand.

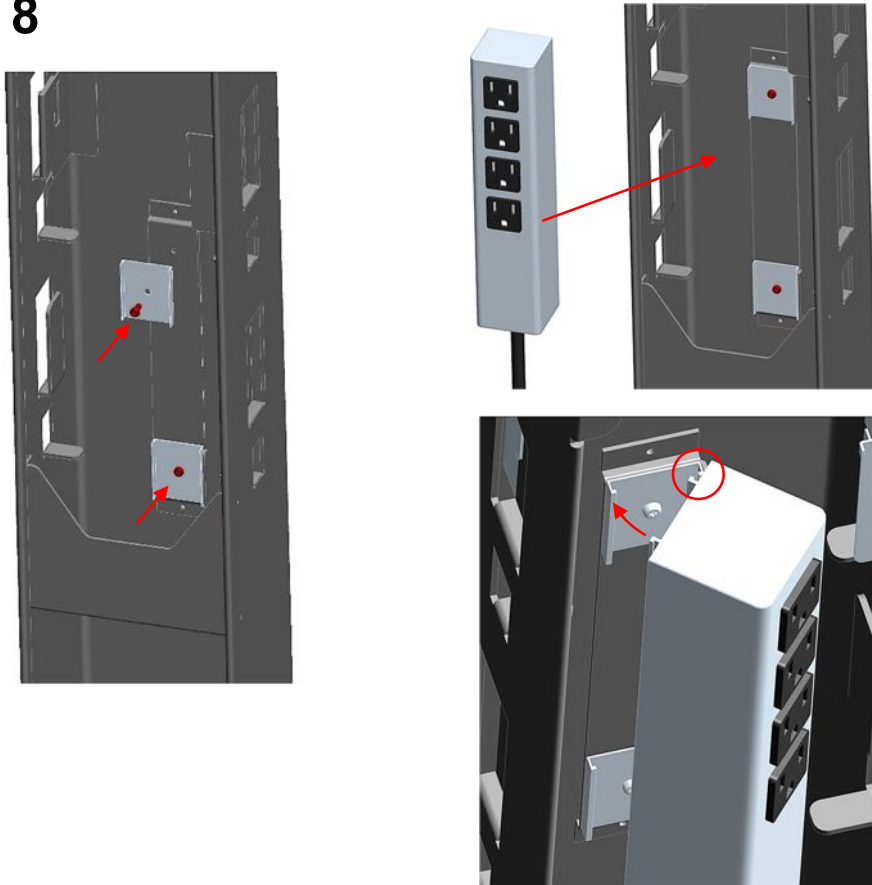
7



Align slots on bottom rear of stand with (2) screws on base and slide on stand. Add (4) screws from bag “B”. Tighten (2) screws at rear.

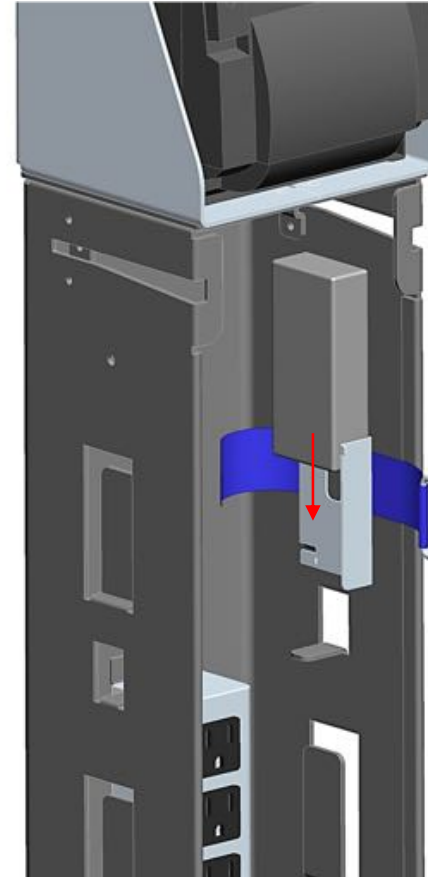
Continue to step 8 for Floor Stand

8



Add power strip brackets (supplied with power strip) using (2) screws from bag “L”. Hook one side of power strip onto brackets then push to snap down.

9

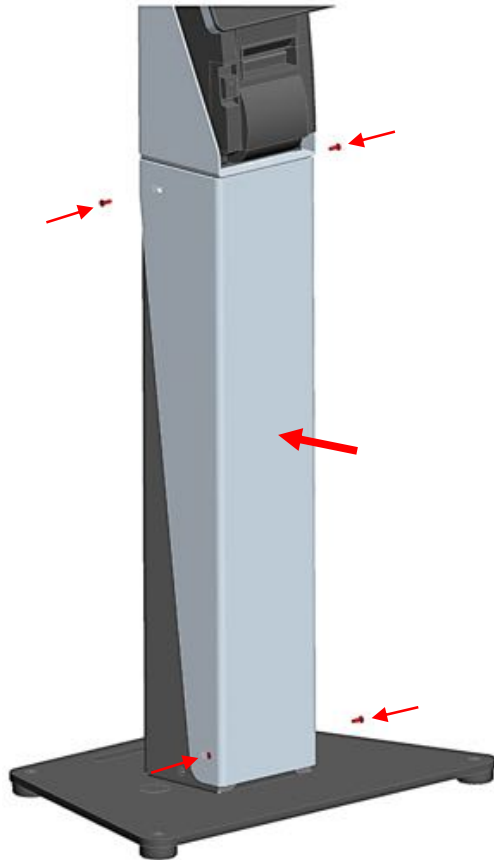


Add power bricks into tower using provided straps.

Continue to step **10** for Floor Stand

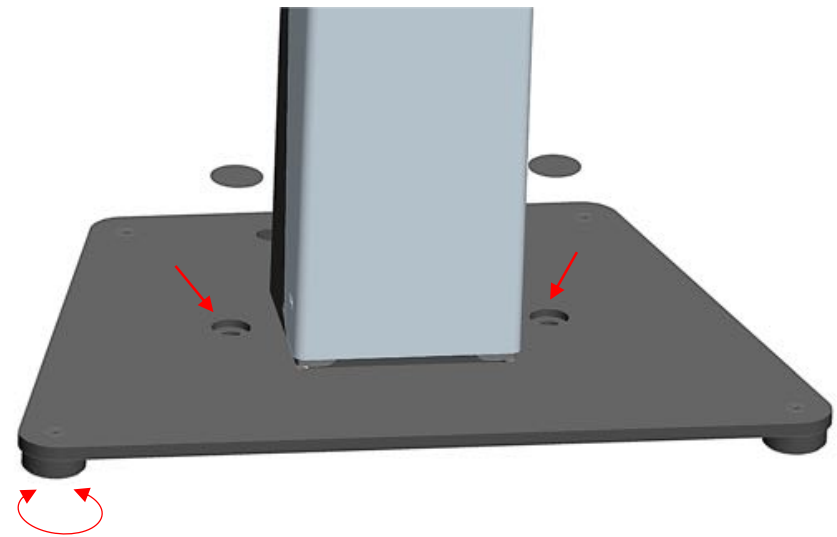


10



Replace floor stand cover and secure using (4) screws saved from step 4.

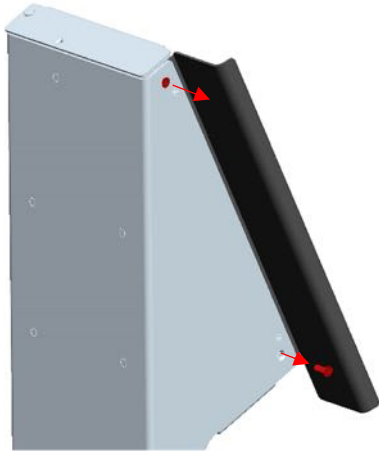
11



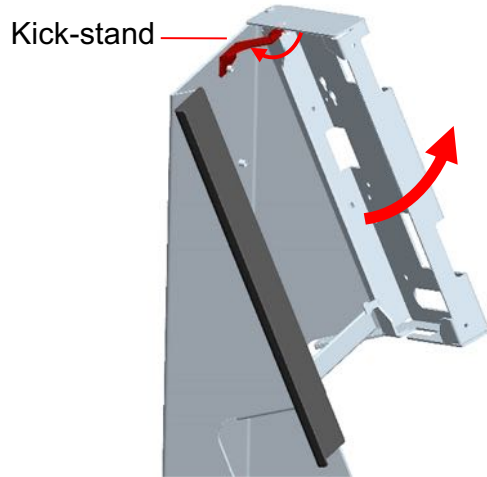
(2) bolt holes available on top of base to secure stand to floor. Feet can be adjusted in case of uneven surfaces.

Continue to step **12** for Floor Stand

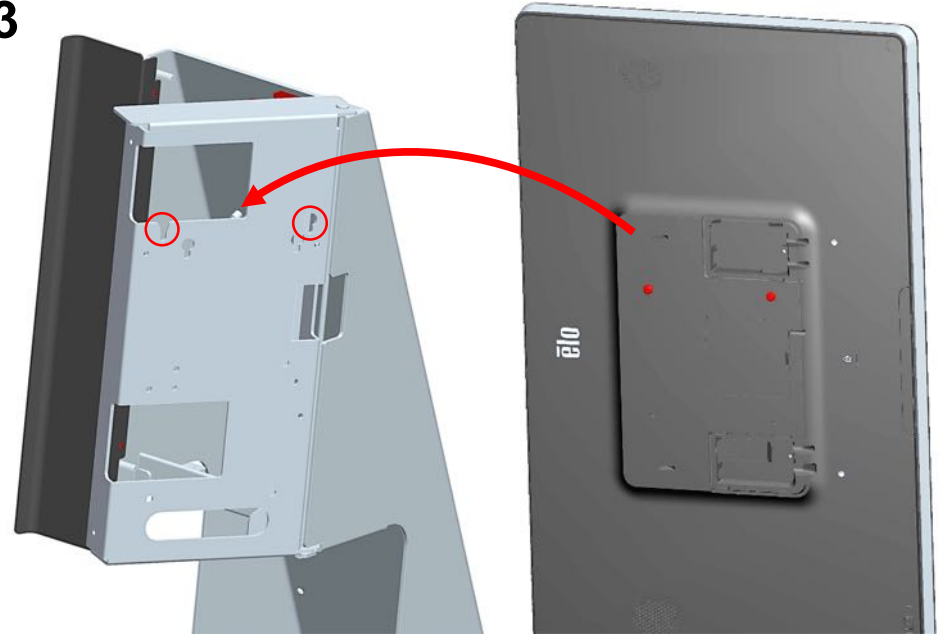
12



Remove and save (2) hex-head screws using provided hex wrench. Open display mount and support with kick-stand.

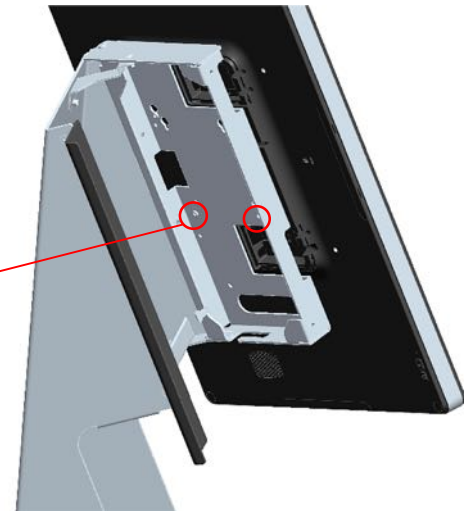


13



Assemble (2) screws from bag "1" to top VESA mount hole on back of I-Series. Assemble display to top slotted holes on stand bracket. Add remaining (2) screws to bottom VESA mount

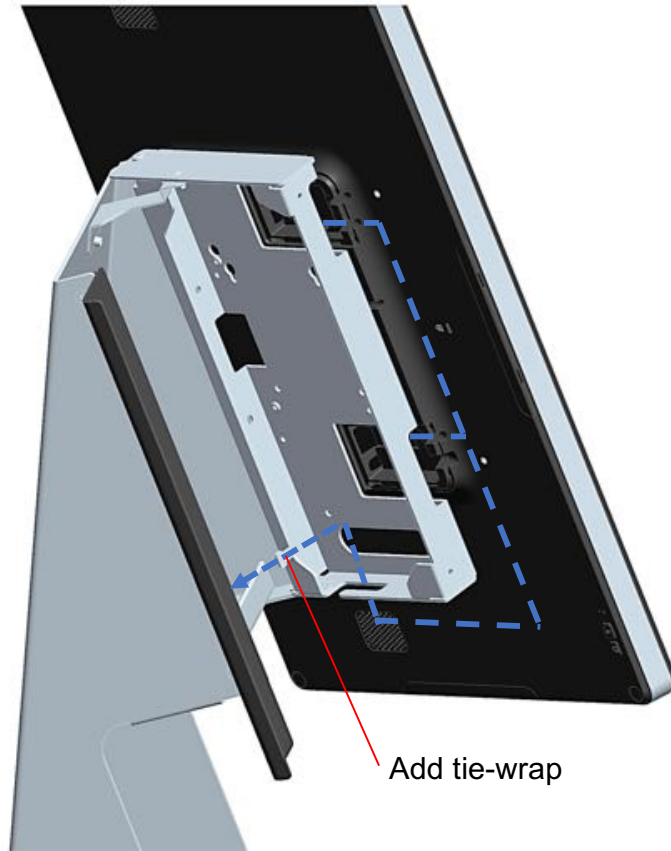
Assemble bottom (2) VESA mount screws from back side.



For adding EMV Mount to Desk/Floor Stand, go to step **15**  
 For **NO** EMV Mount, continue to step **13**

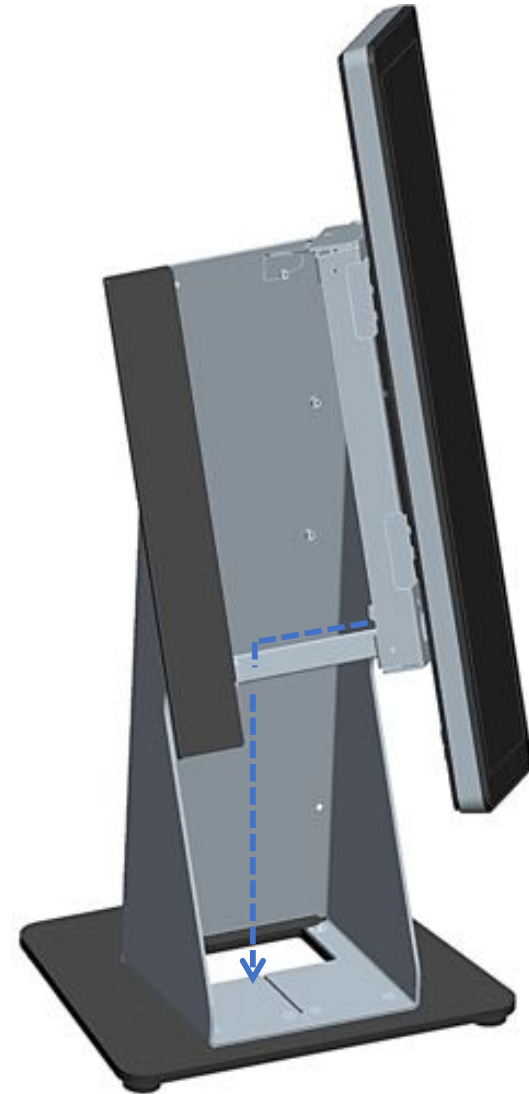
Continue to step **14**

14



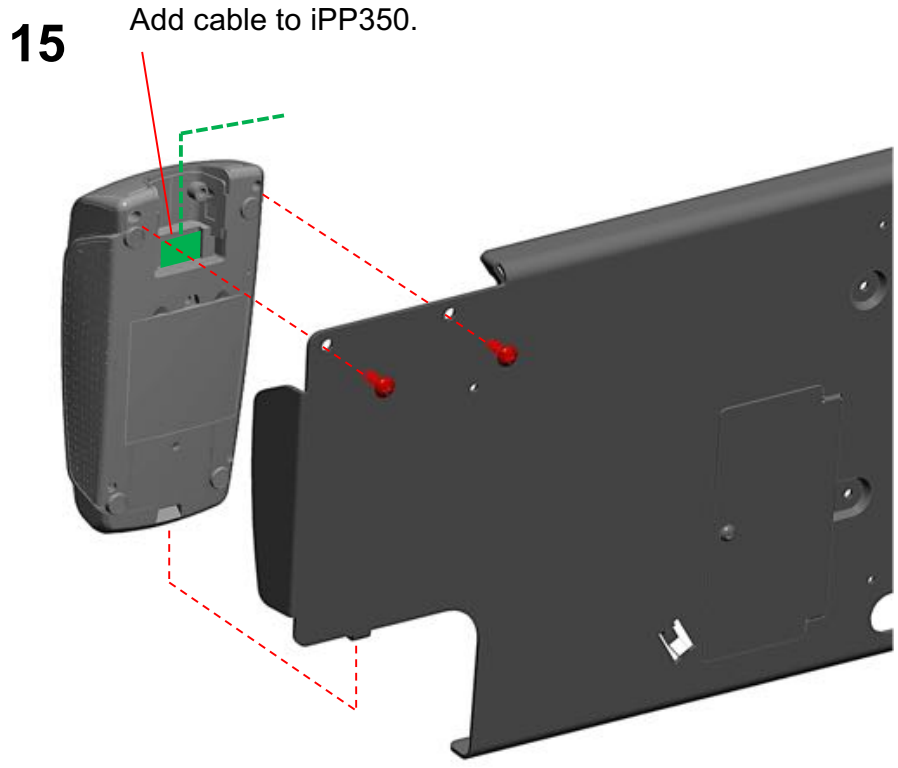
Add tie-wrap

Route needed cables from I-Series through stand.

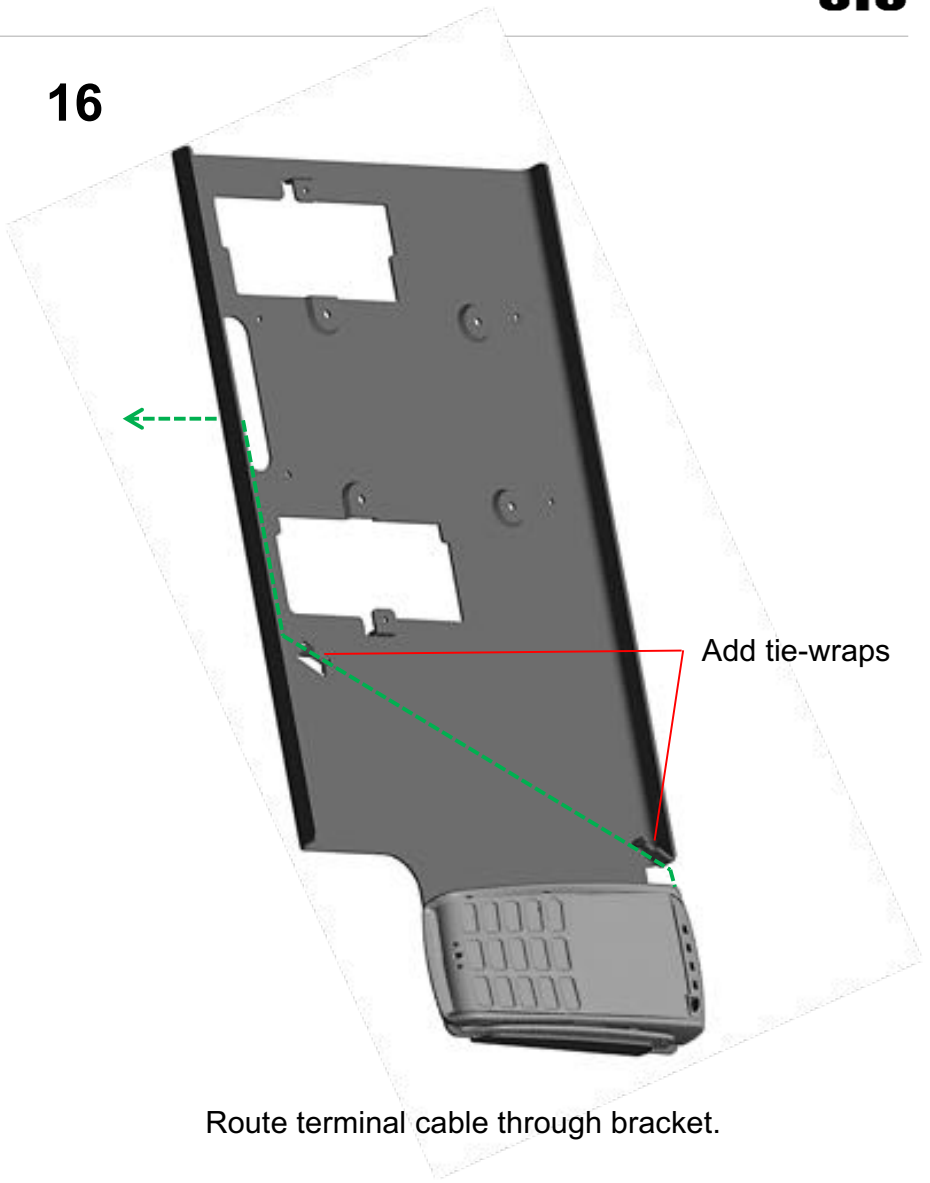


Continue to step **31** for Countertop Stand

For **Ingenico iPP350** EMV Cradle (E062899), go to step **15**  
For **Verifone MX915 / Ingenico iSC250** EMV Cradle (E062704), go to step **23**

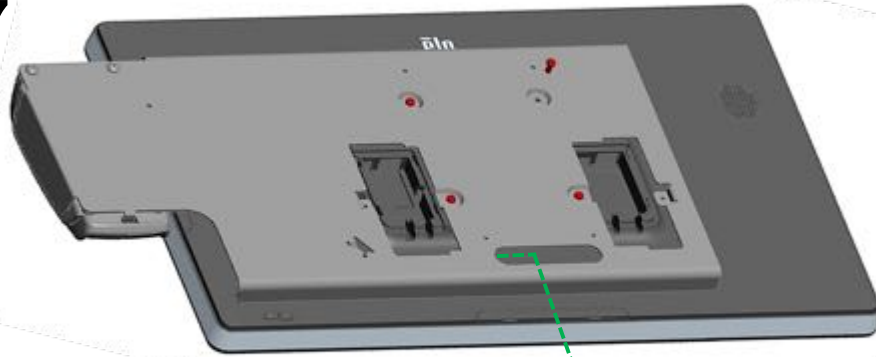


Assemble iPP350 to bracket using hook on bracket and (2) screws from bag "J".



Route terminal cable through bracket.

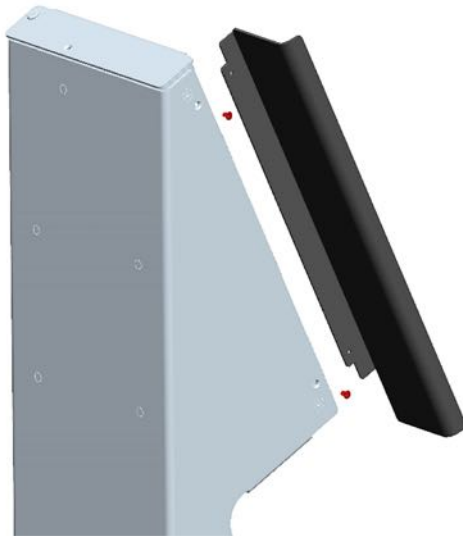
17



(EMV terminal cable to exit hole)

Assemble EMV Cradle assembly to 22" I-Series using (4) screws from bag "I".

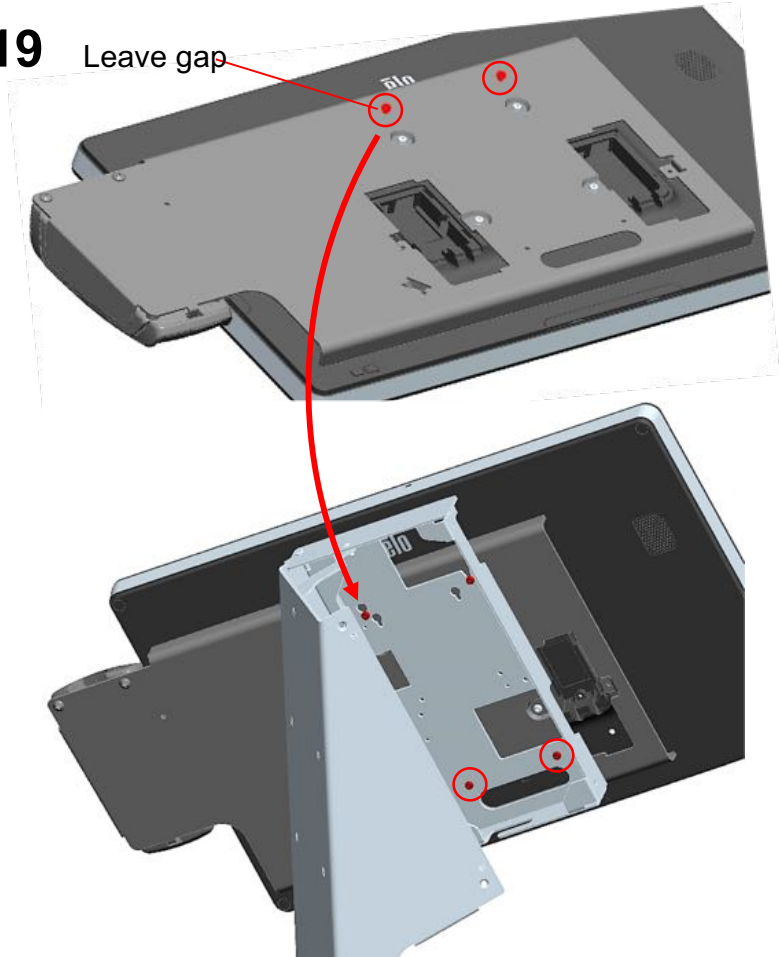
18



Remove (2) screws and take off cable cover.

19

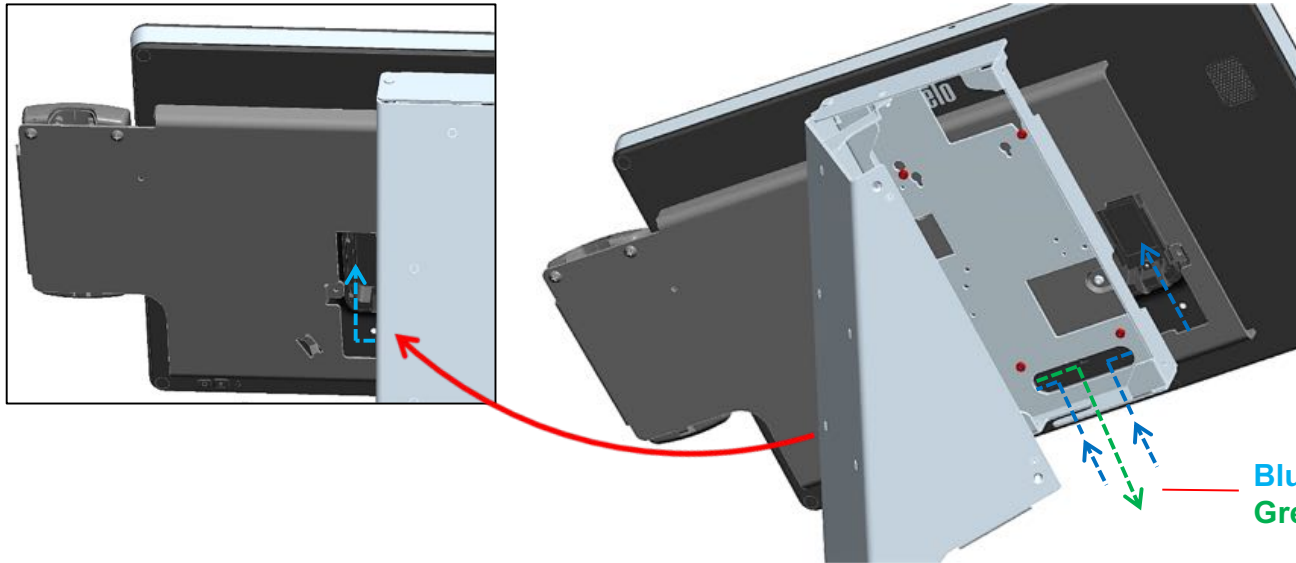
Leave gap



Assemble (2) screws from bag "I" (in Countertop Stand kit) to top VESA mount hole on back of 22" I-Series. Assemble display to top slotted holes on stand bracket. Add remaining (2) screws from bag "I" to bottom of mount.

Continue to step 20

20

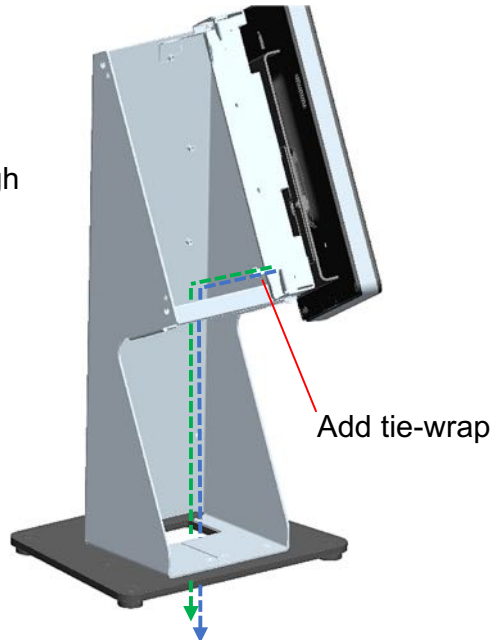


Add needed cables to 22" I-Series; Route cables through slot in stand bracket to 22" I-Series connectors.

Blue = 22" I-Series cables  
Green = EMV terminal cable

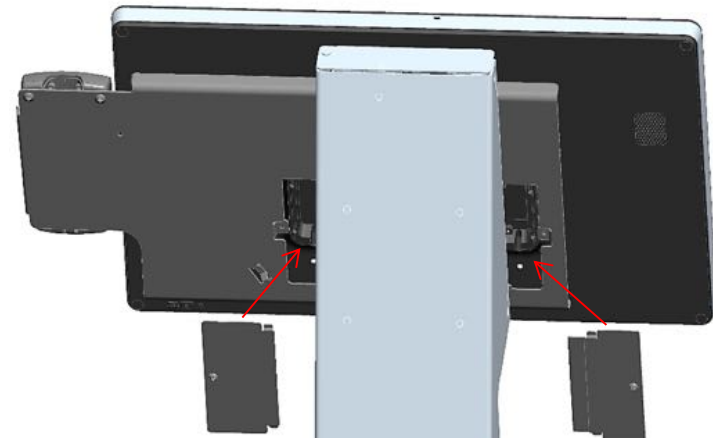
21

Route EMV / 22" I-Series cables through stand.



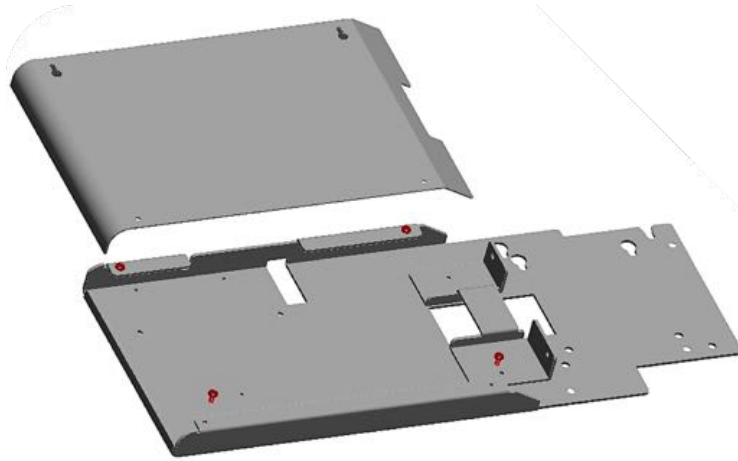
22

Assemble left and right doors using provided hex wrench.



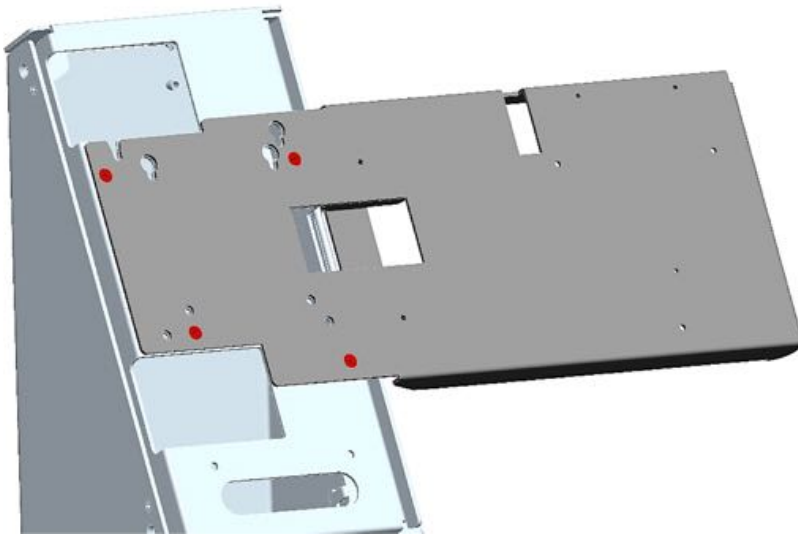
Continue to step 31

23



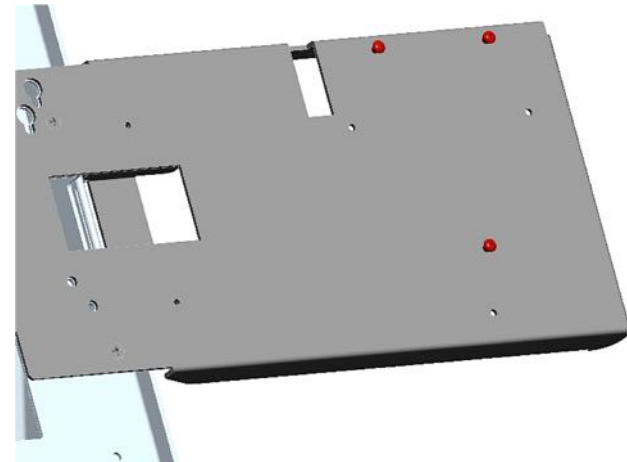
Remove and save (4) screws and take off cover.

24



Add bracket to stand using (4) screws from bag "F".

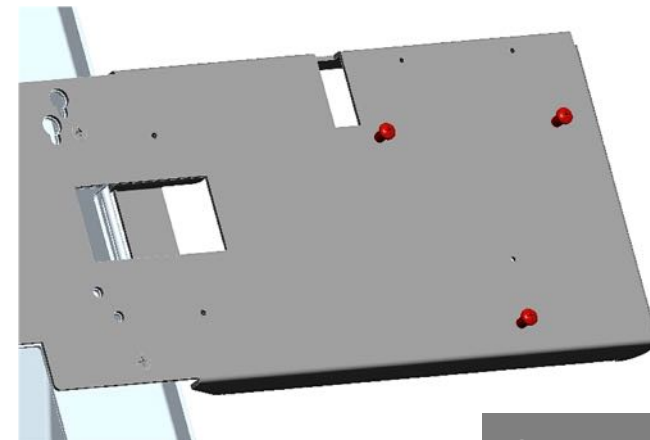
25



Screw locations for Verifone MX915

Add (3) screws for mounting EMV terminal:

- Use bag "G" for Ingenico iSC250
- Use bag "H" for Verifone MX915

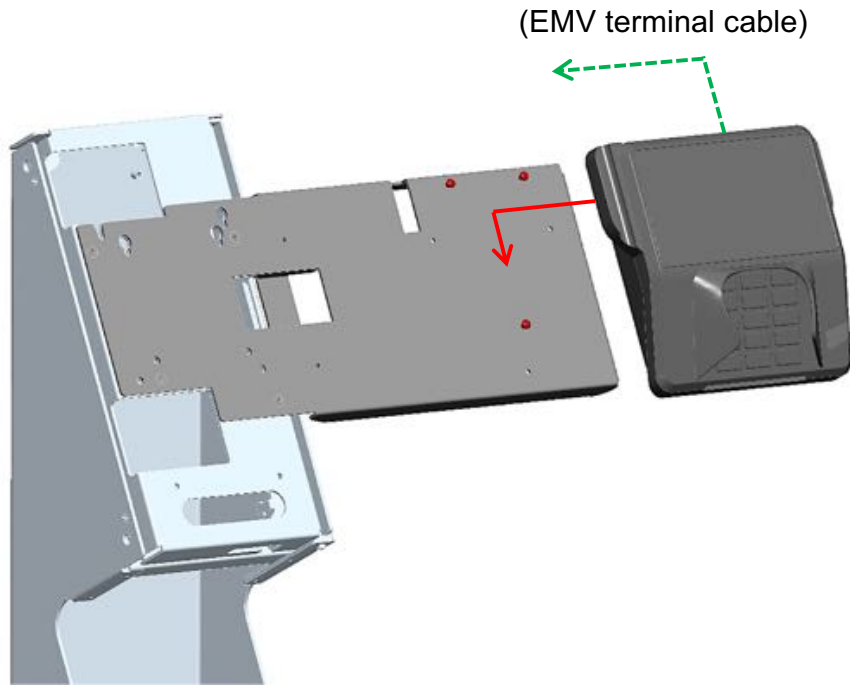


Screw locations for Ingenico iSC250

Continue to step 26



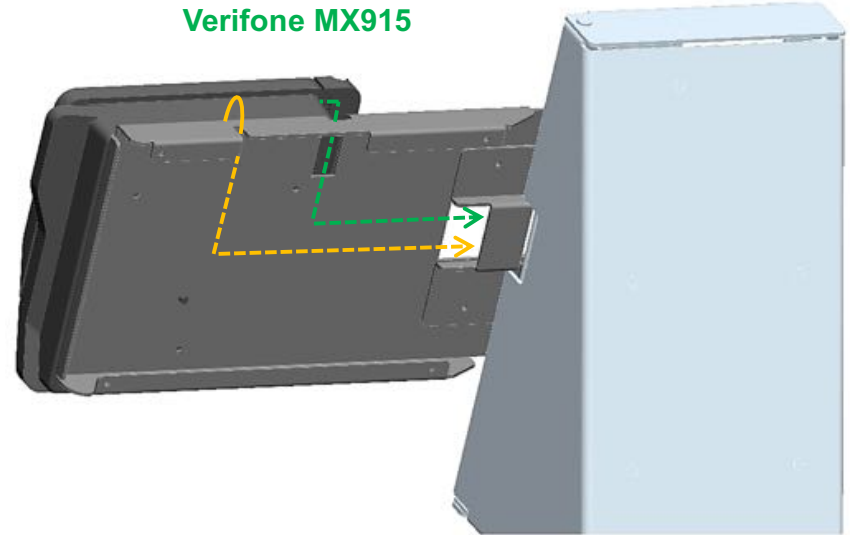
26



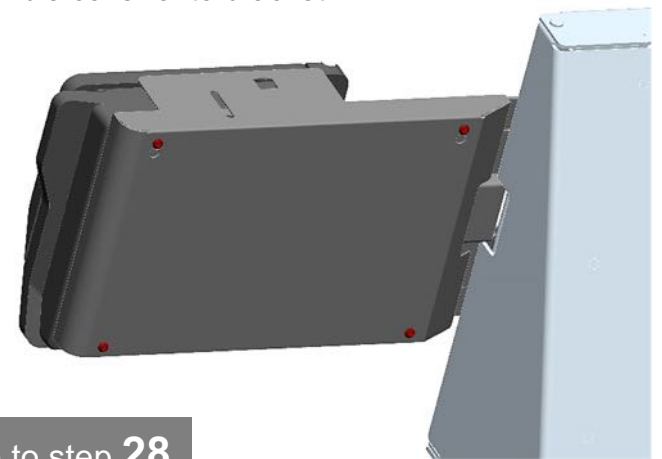
Attach EMV terminal cable and slide terminal onto bracket.

27

EMV terminal cable:  
Ingenico iSC250  
Verifone MX915



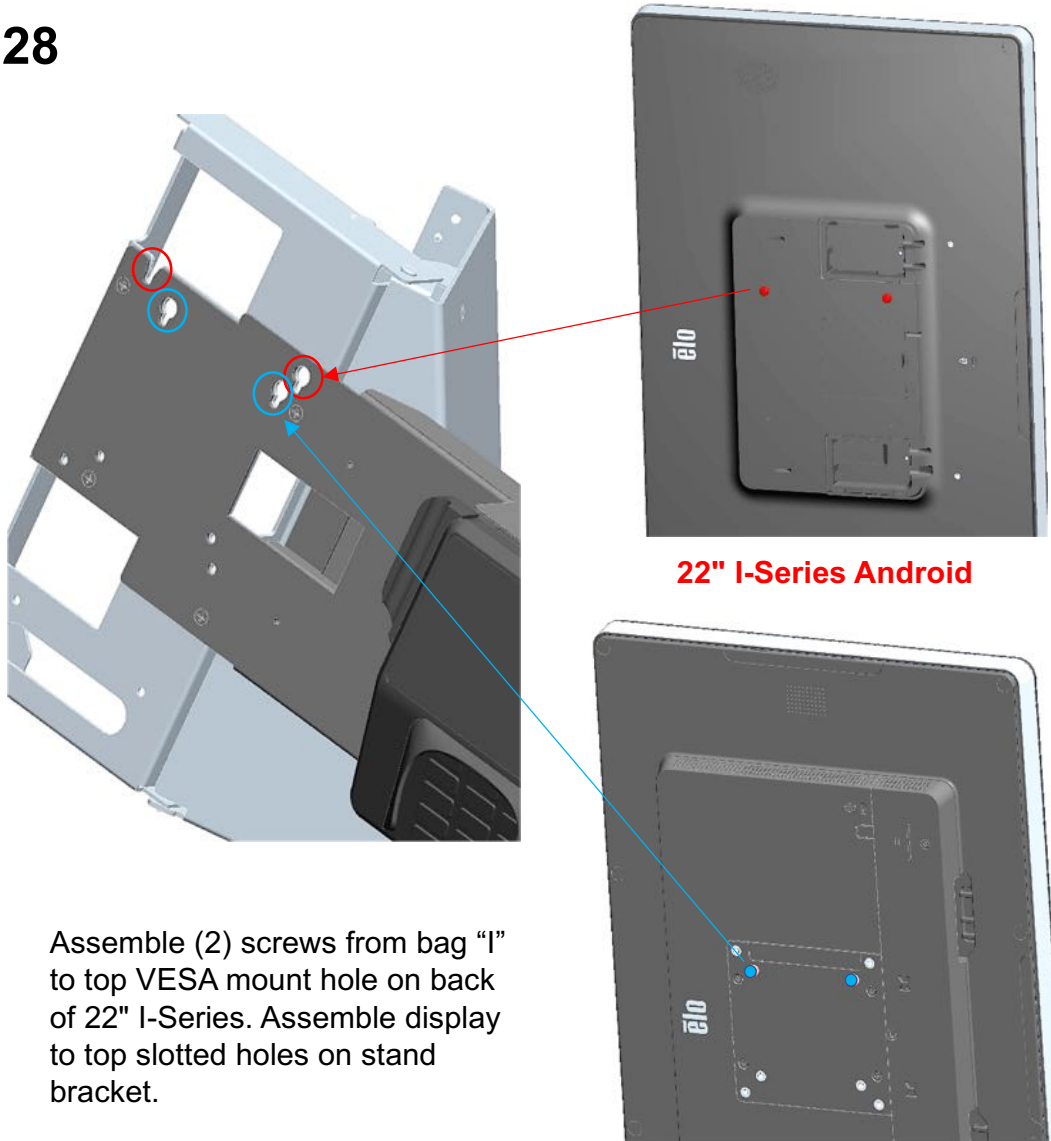
Route EMV terminal cable, and assemble cover onto bracket.



Continue to step 28



28

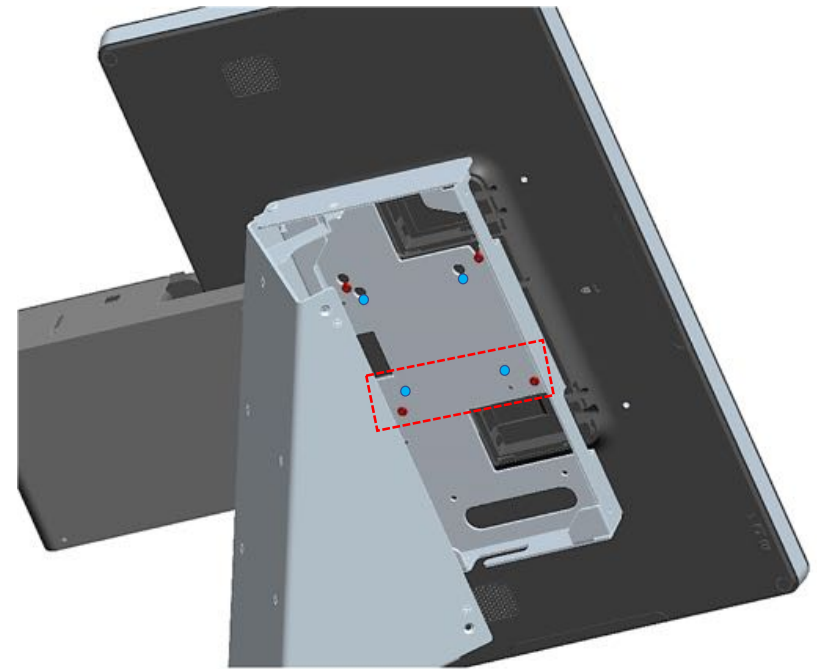


22" I-Series Android

22" I-Series Windows series

Assemble (2) screws from bag "1" to top VESA mount hole on back of 22" I-Series. Assemble display to top slotted holes on stand bracket.

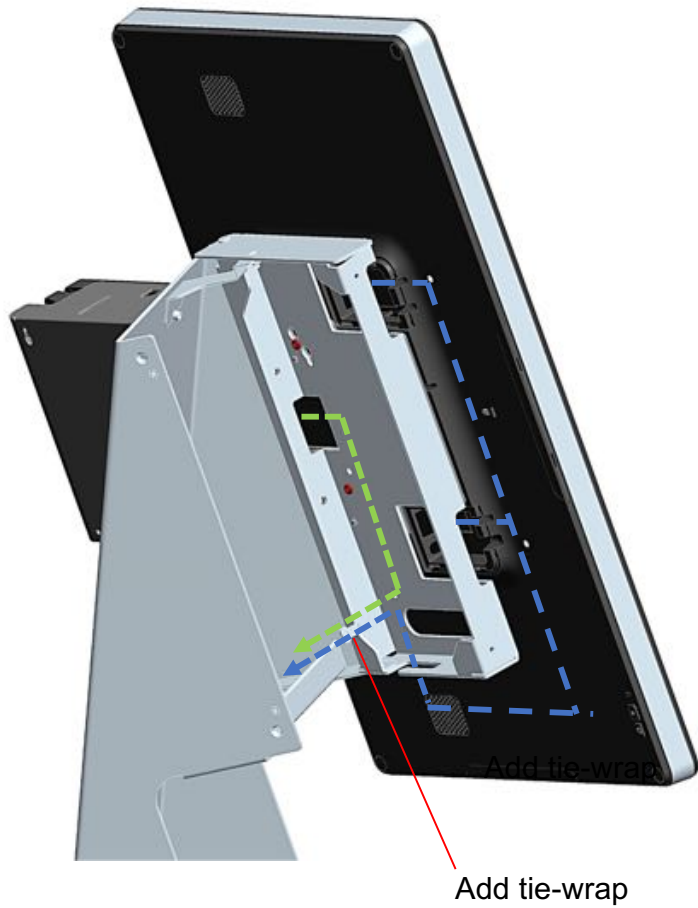
29



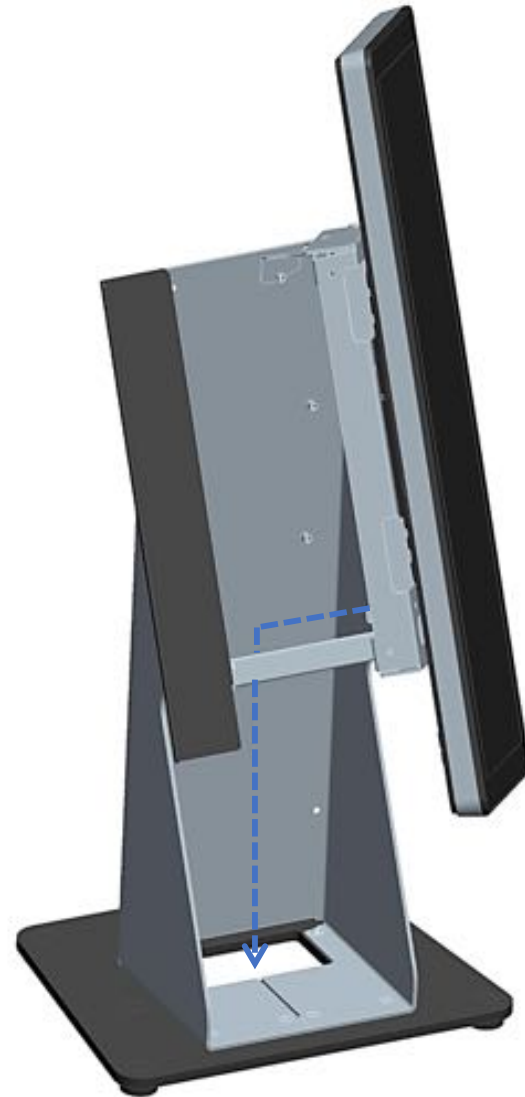
Add remaining (2) screws from bag "1" to bottom VESA mount.

Continue to step 30

30

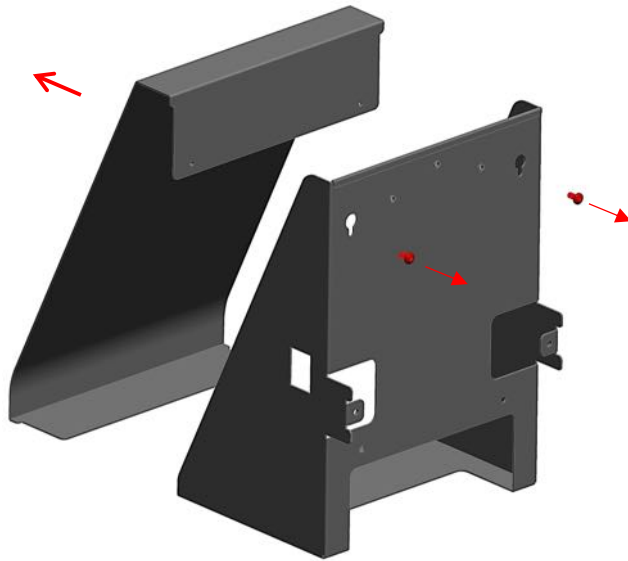


Route needed cables from **22" I-Series / EMV terminal** through stand.



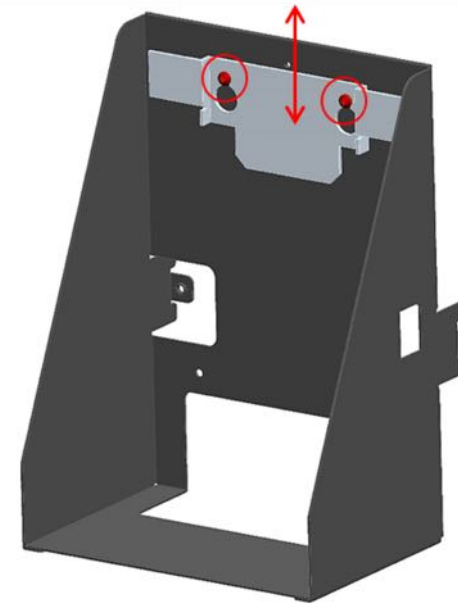
Continue to step **31**

**31** If no printer, go to step 36.  
If using printer, remove cover to add printer.



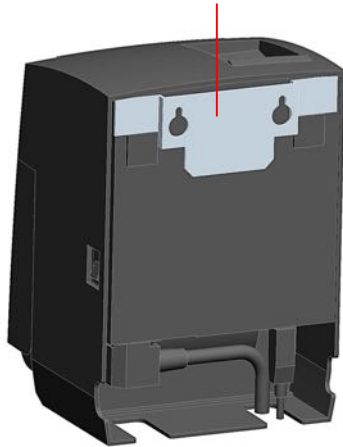
Go to step **32** for **Star** printers.  
For **Epson TM-T88**, go to step **35**.

**32** Add (2) screws from bag “C” to printer tray; use Star printer bracket to set depth of screws then remove Star bracket.

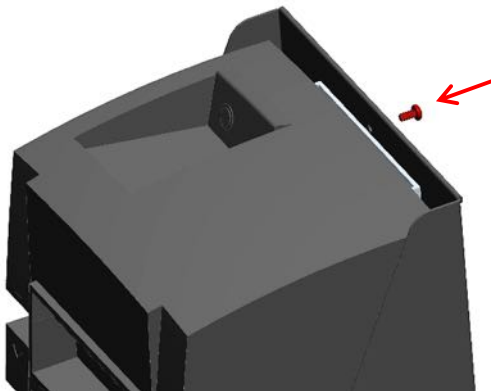


Continue to step **33**

**33** Add Star printer bracket to printer; refer to Star instructions.



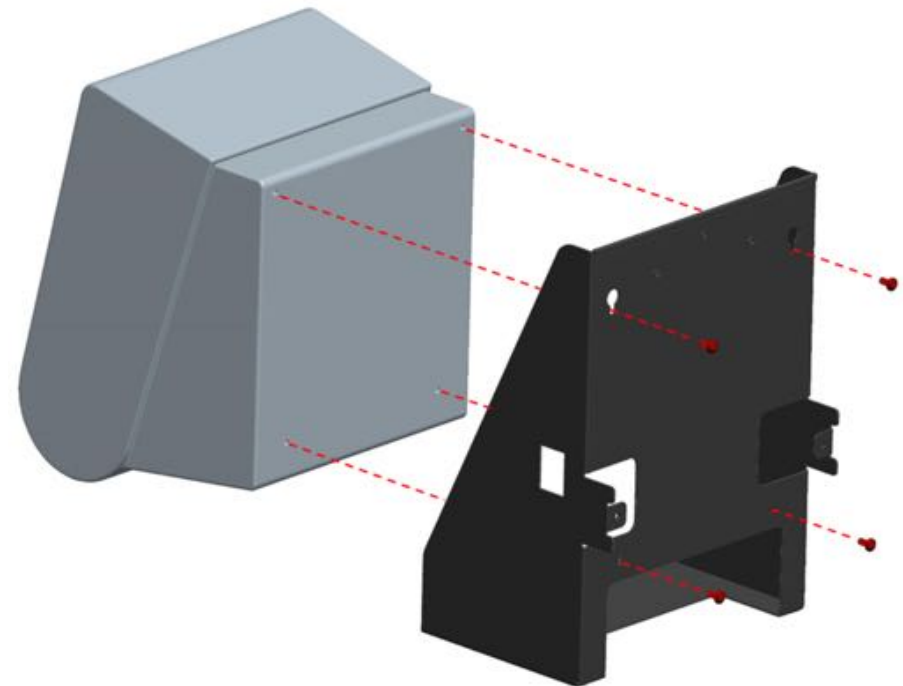
**34** Add Star printer with bracket to printer tray. Secure printer to printer tray using 3<sup>rd</sup> screw from bag “C”.



Continue to step **36**

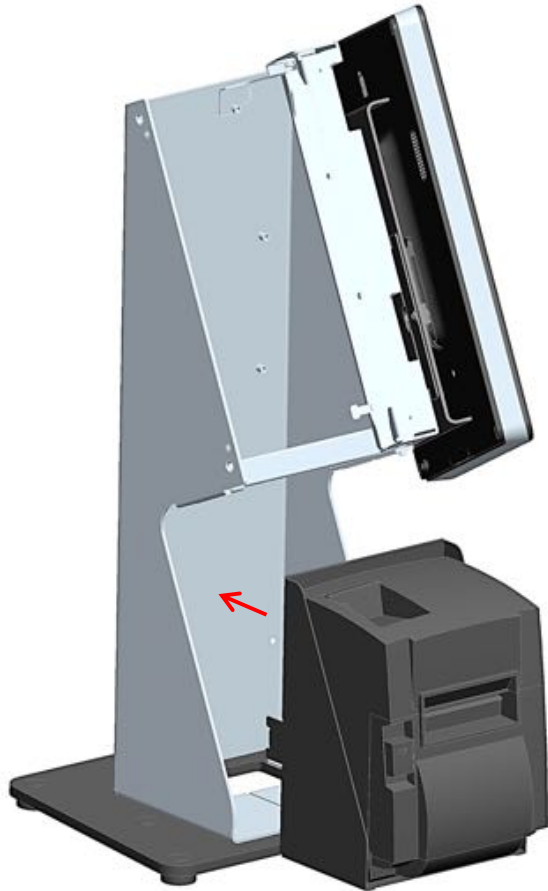
**35** Add (4) screws from bag “D” to attach printer to the tray.

Epson TM-T88



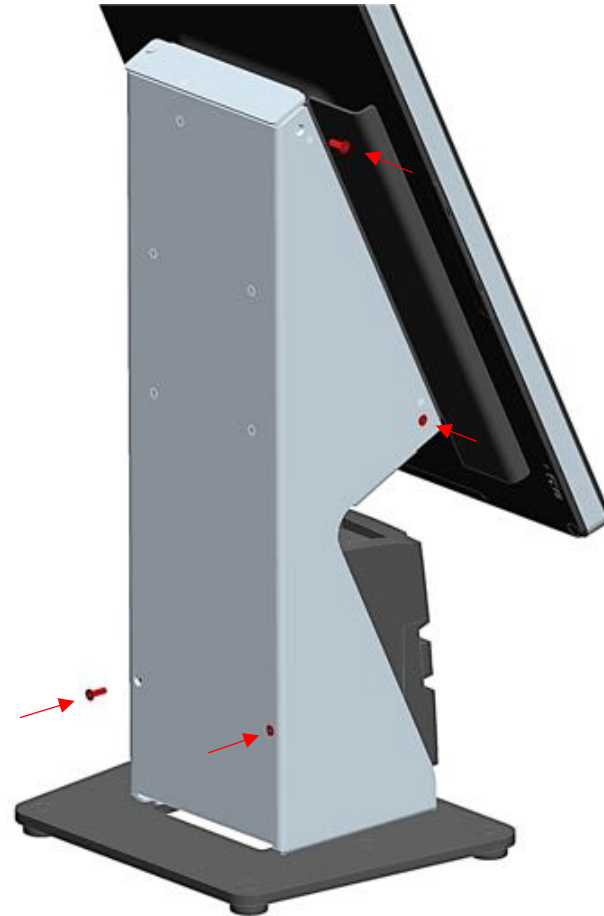
Continue to step **36**

36



Route cables from/to printer as needed, slide in printer tray assembly (or printer tray with cover if no printer).

37



Add (2) screws saved from Step 1 to secure printer assembly and (2) screws saved from Step 4 to secure 22" I-Series bracket.

---

For more information, go to [www.elotouch.com/support](http://www.elotouch.com/support), or call the office nearest you.

Elo reserves the right to change or update, without notice, any information contained herein; to change, without notice, the design, construction, materials, processing or specifications of any products; and to discontinue or limit production or distribution of any products. Elo and the Elo logo are either trademarks or registered trademarks of Elo Touch Solutions, Inc. All other trademarks are the property of their respective owners.

© 2018 Elo Touch Solutions, Inc. All rights reserved. QIG600042