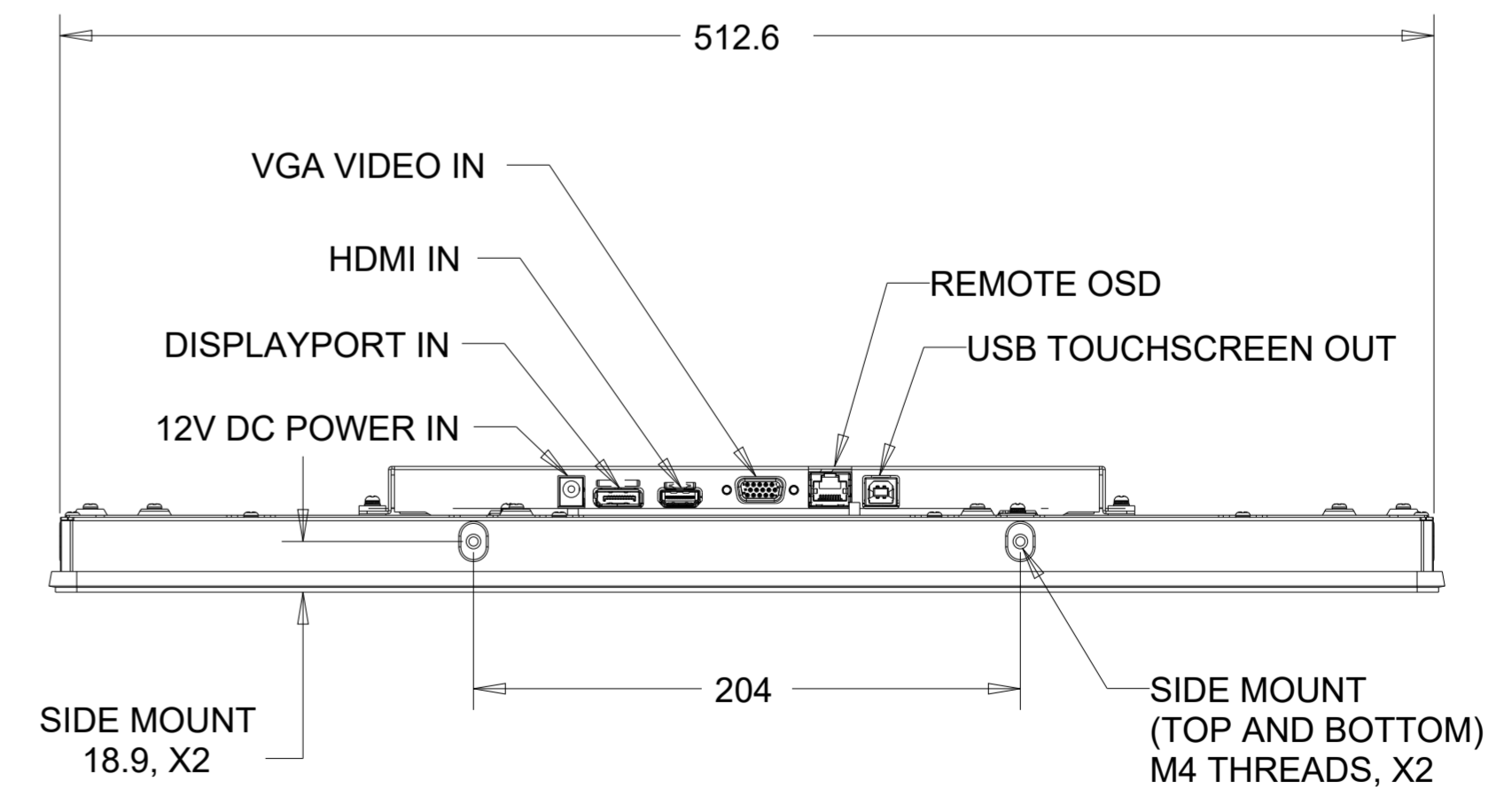
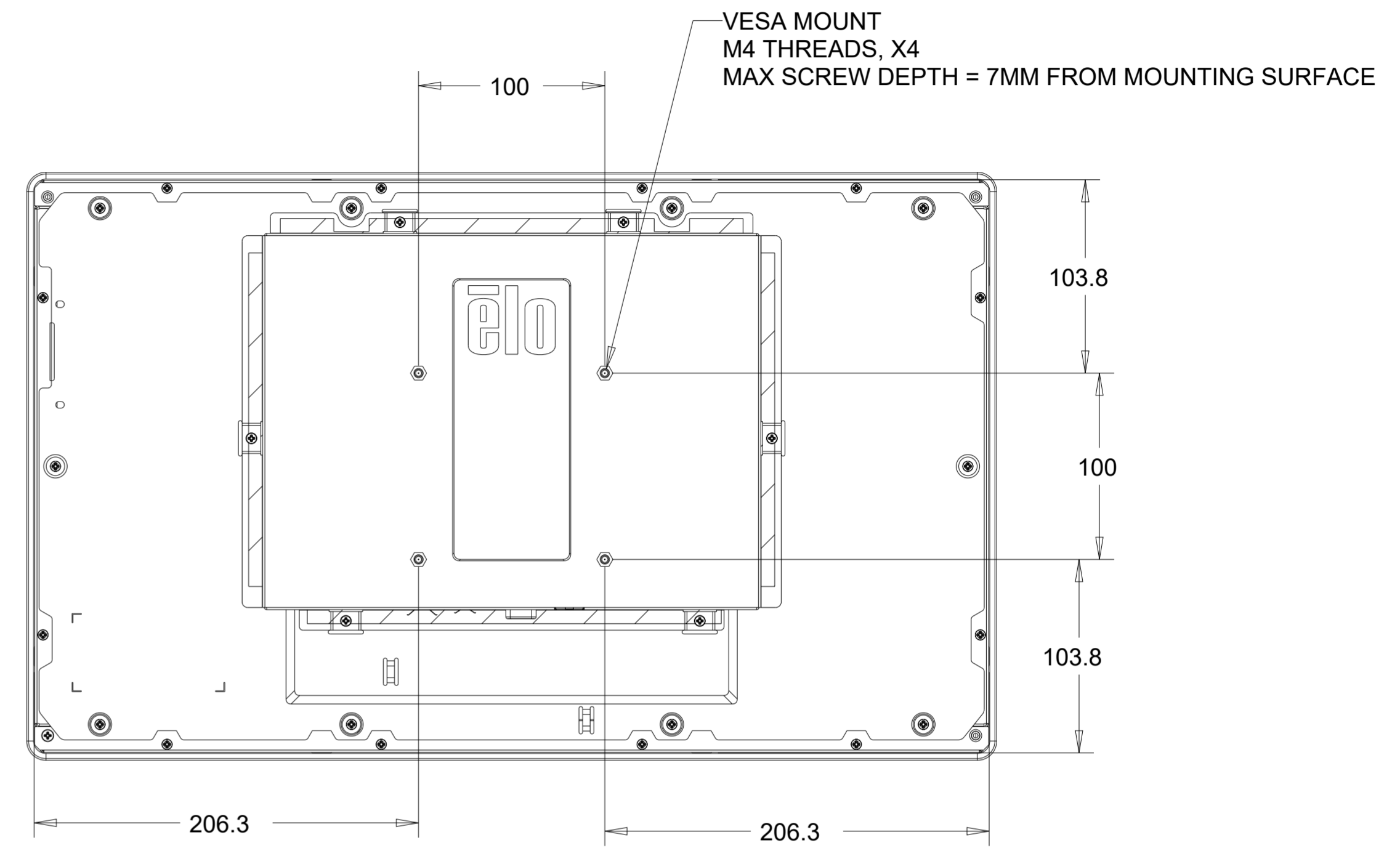
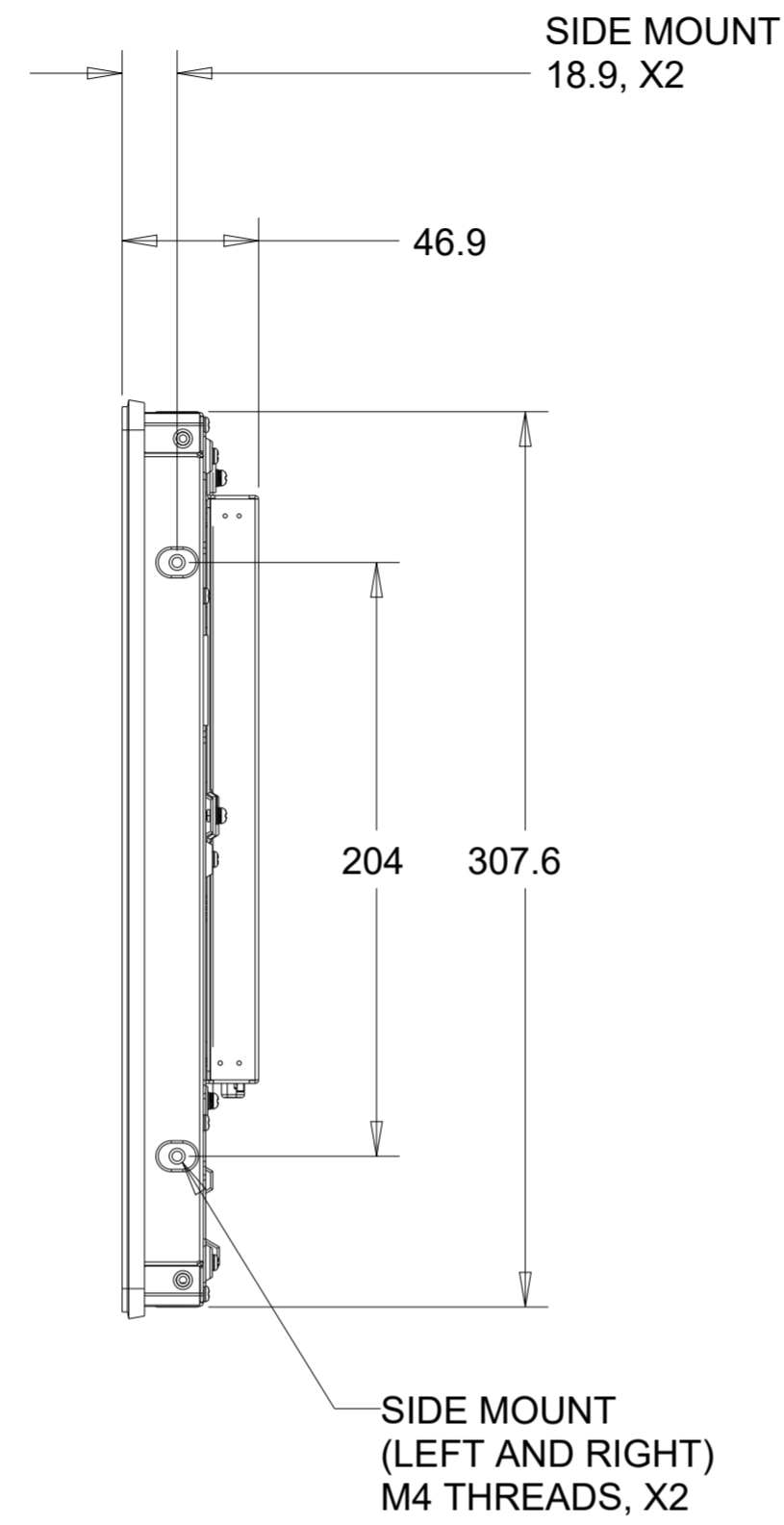
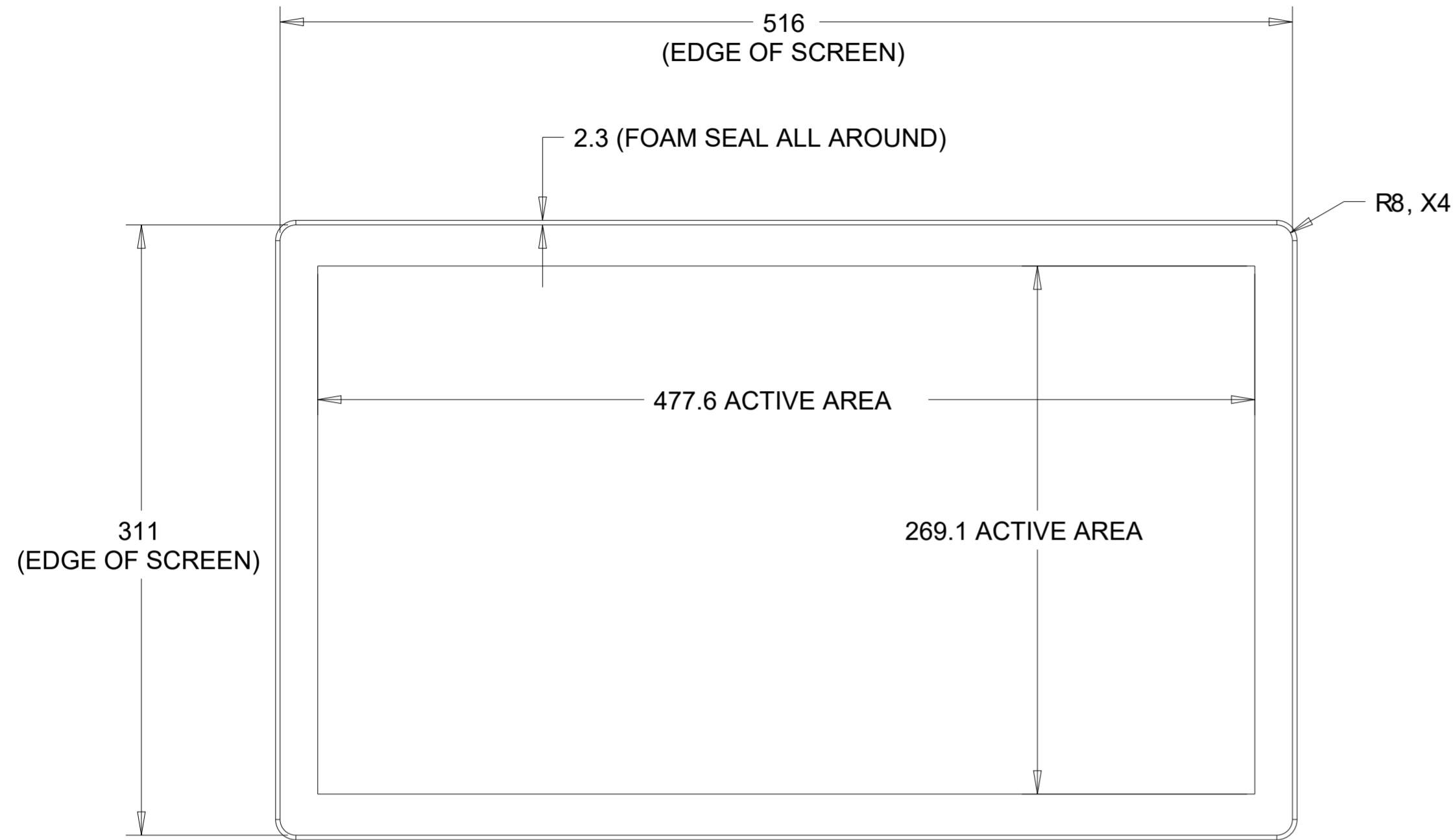
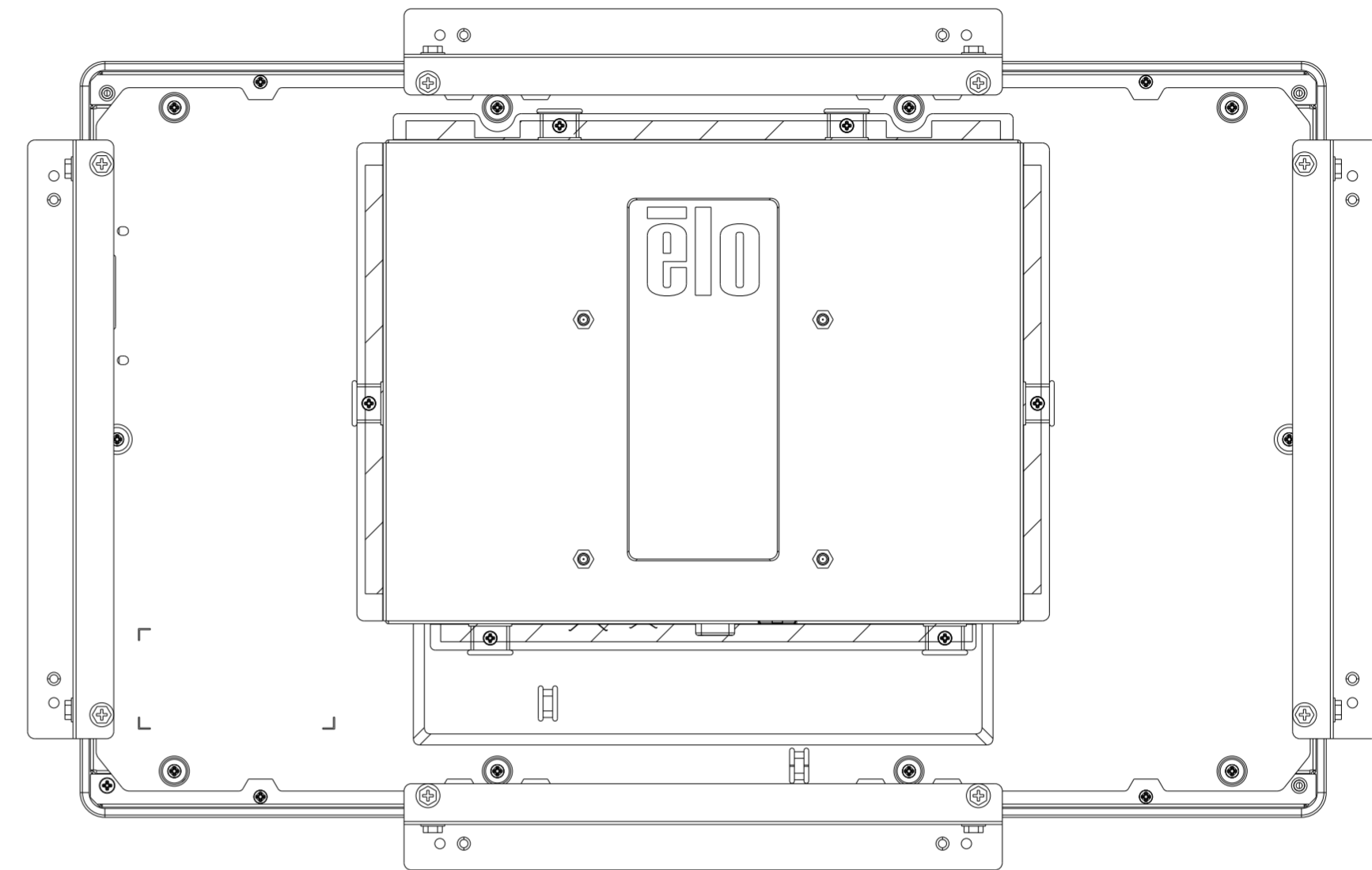
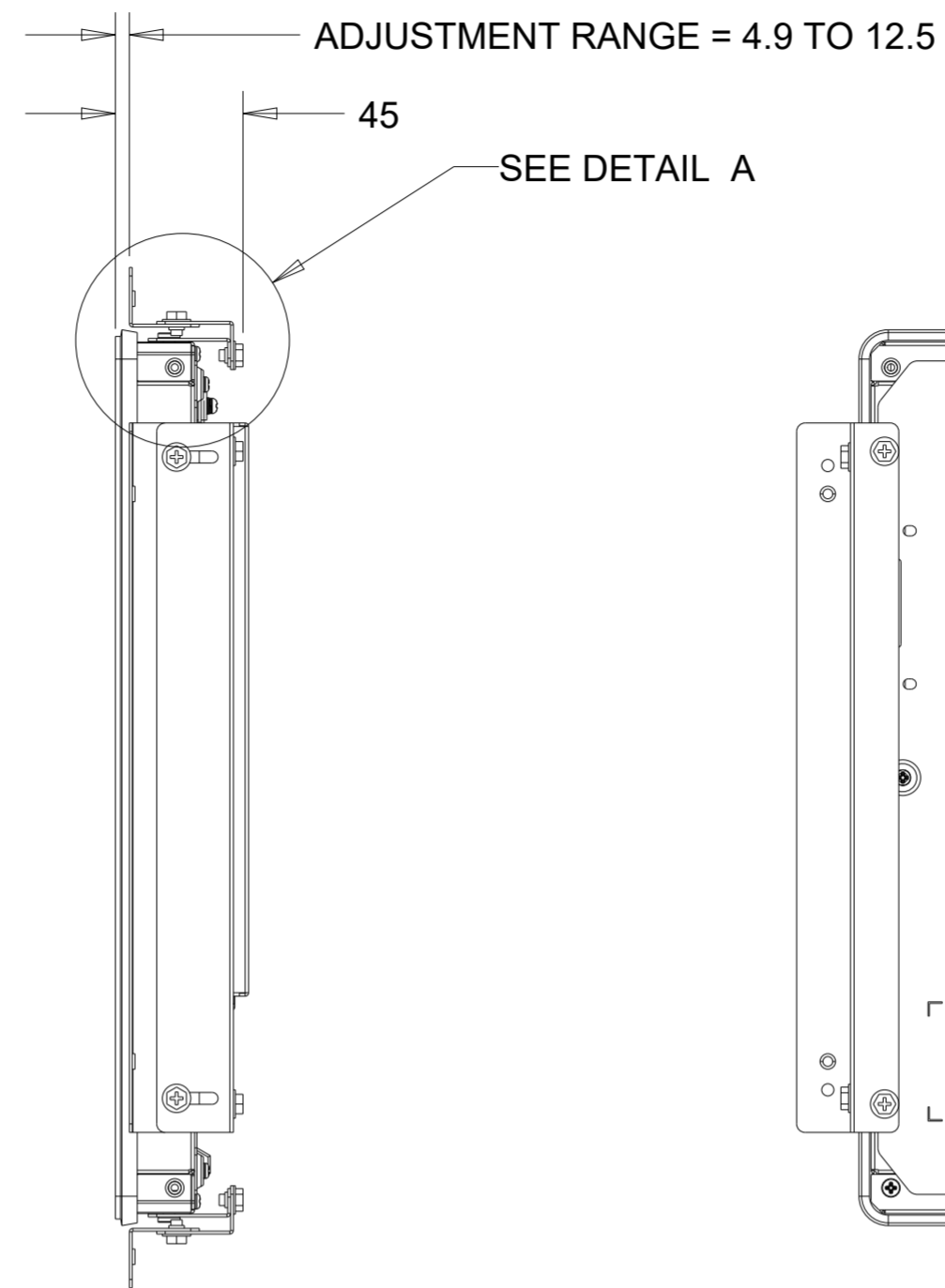
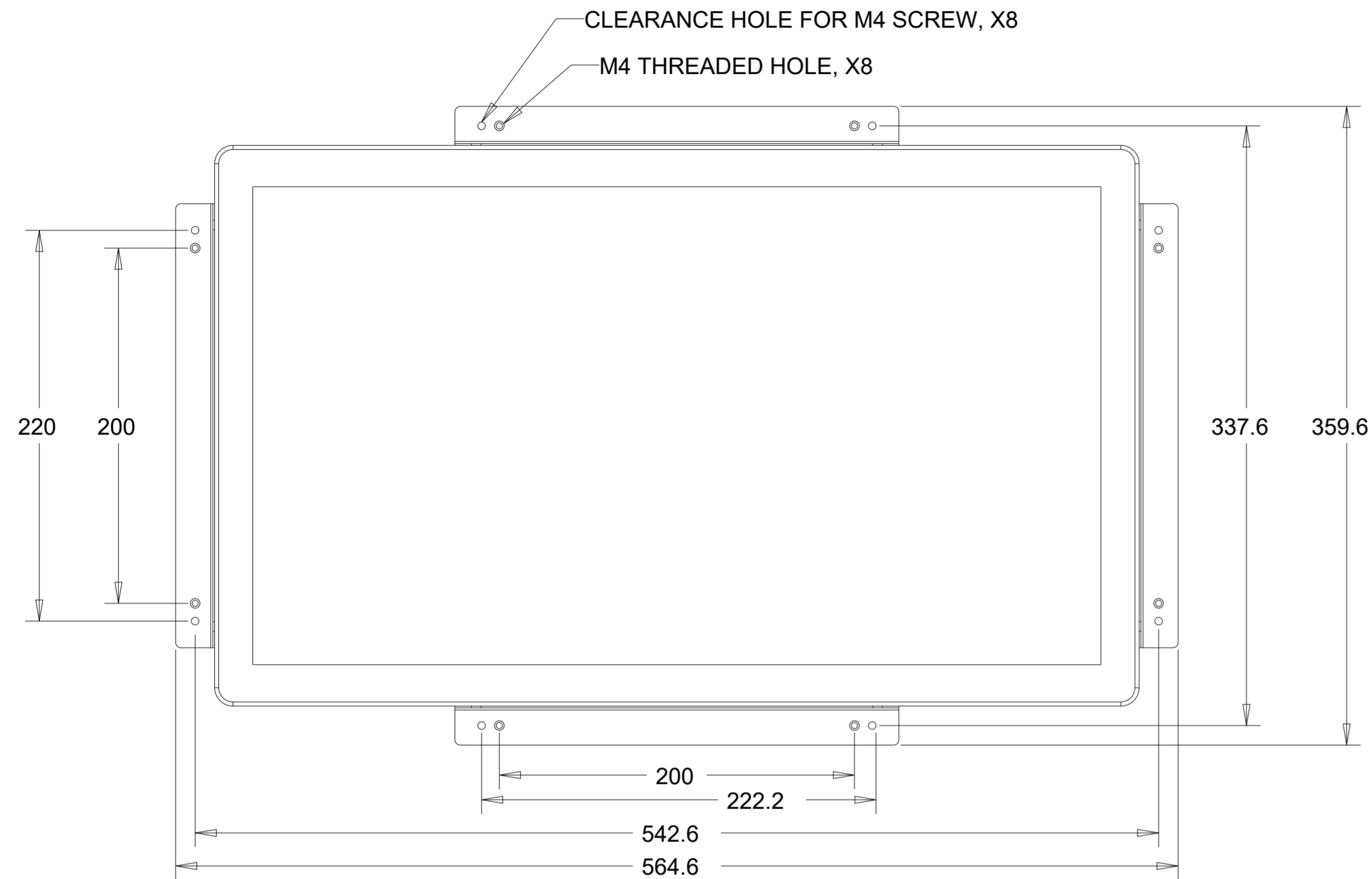


PROJECTED CAPACITIVE MODEL AND  
NON-TOUCH MODEL



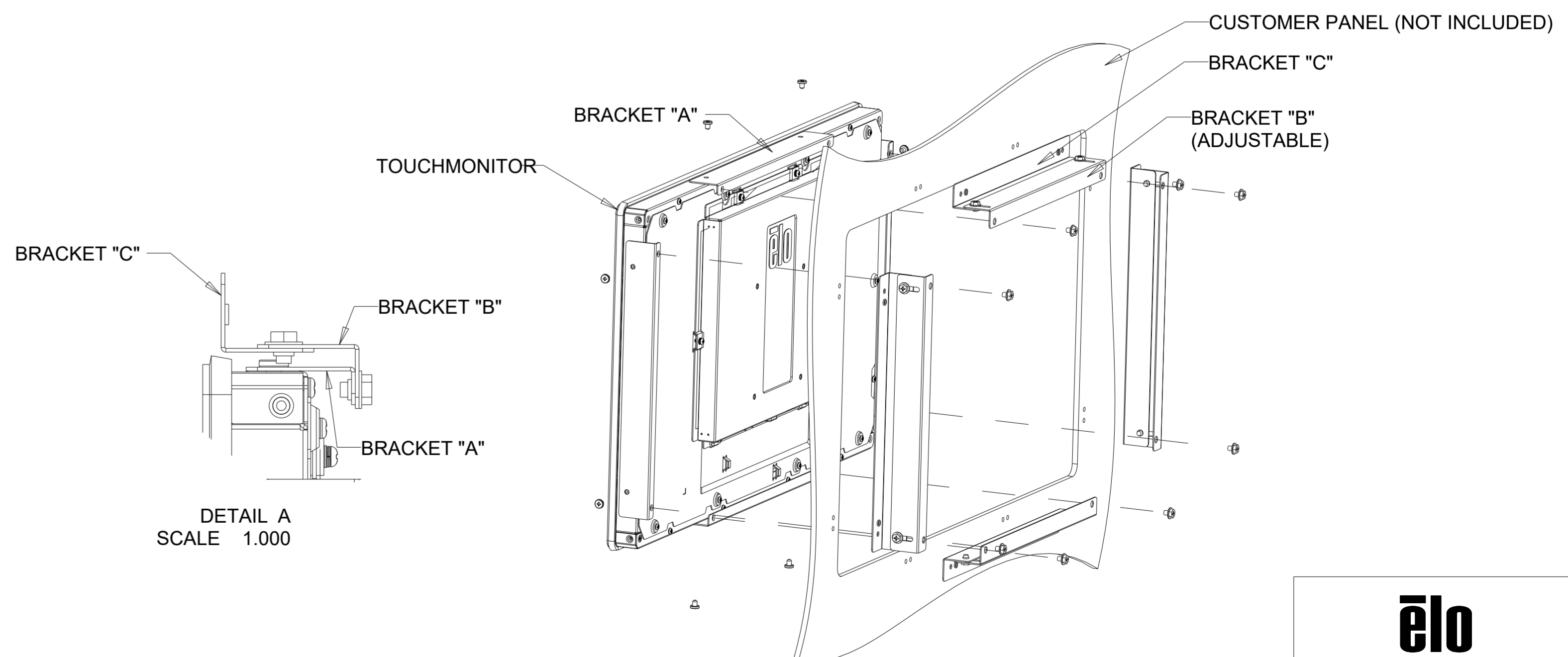
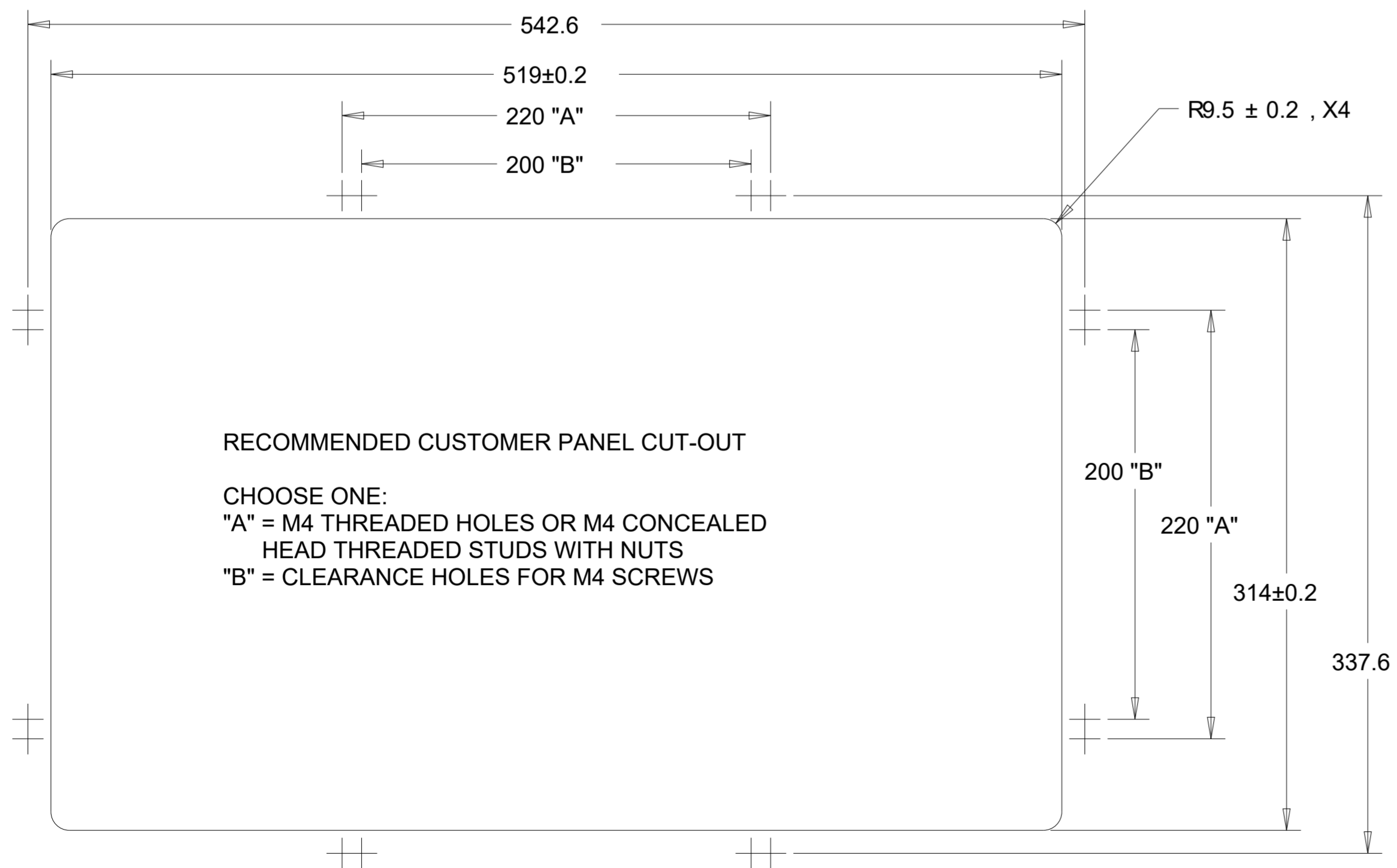
**PROJECTED CAPACITIVE MODEL**

**WITH FLUSH MOUNTING BRACKETS (4 INCLUDED)**  
**REPLACEMENT BRACKET KIT P/N E190706 AVAILABLE SEPARATELY**



**INSTALLATION NOTES:**

1. ATTACH BRACKET "A" TO TOUCHMONITOR (ALL FOUR SIDES) WITH LOW PROFILE SCREWS (INCLUDED)
2. ATTACH BRACKET "C" TO CUSTOMER PANEL PER CUT-OUT DRAWING (ALL FOUR SIDES)
3. ATTACH BRACKET "B" TO BRACKET "C" ON ALL FOUR SIDES WITH M4 HEX HEAD SCREWS (INCLUDED)
4. ADJUST DEPTH OF BRACKET "B" SO MONITOR IS FLUSH WITH CUSTOMER PANEL
5. PLACE TOUCHMONITOR INTO CUSTOMER PANEL OPENING
6. SECURE TOUCHMONITOR TO BRACKET "B" FROM BEHIND WITH M4 HEX HEAD SCREWS (INCLUDED)



DIMENSIONS ARE IN MILLIMETERS