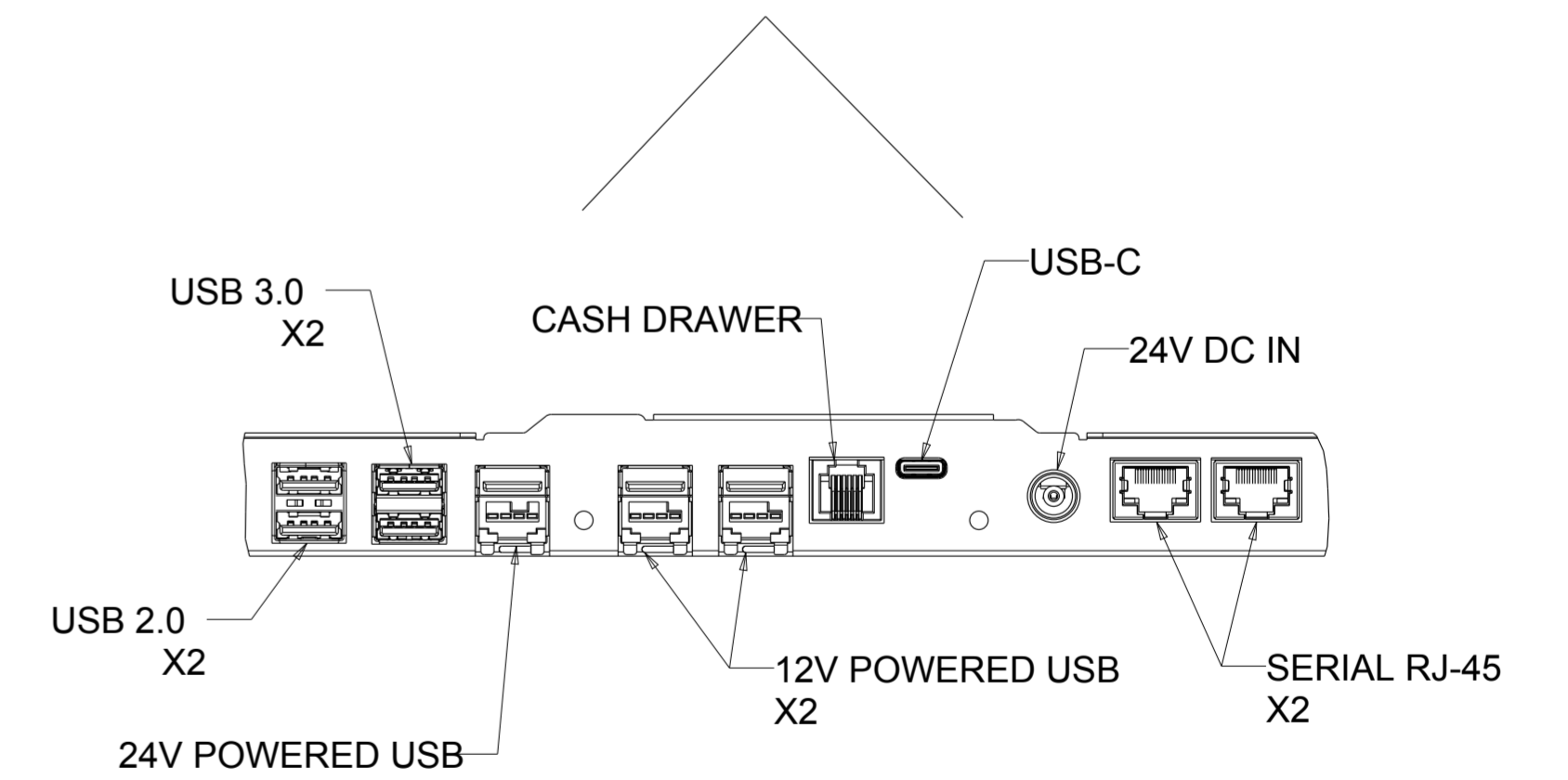
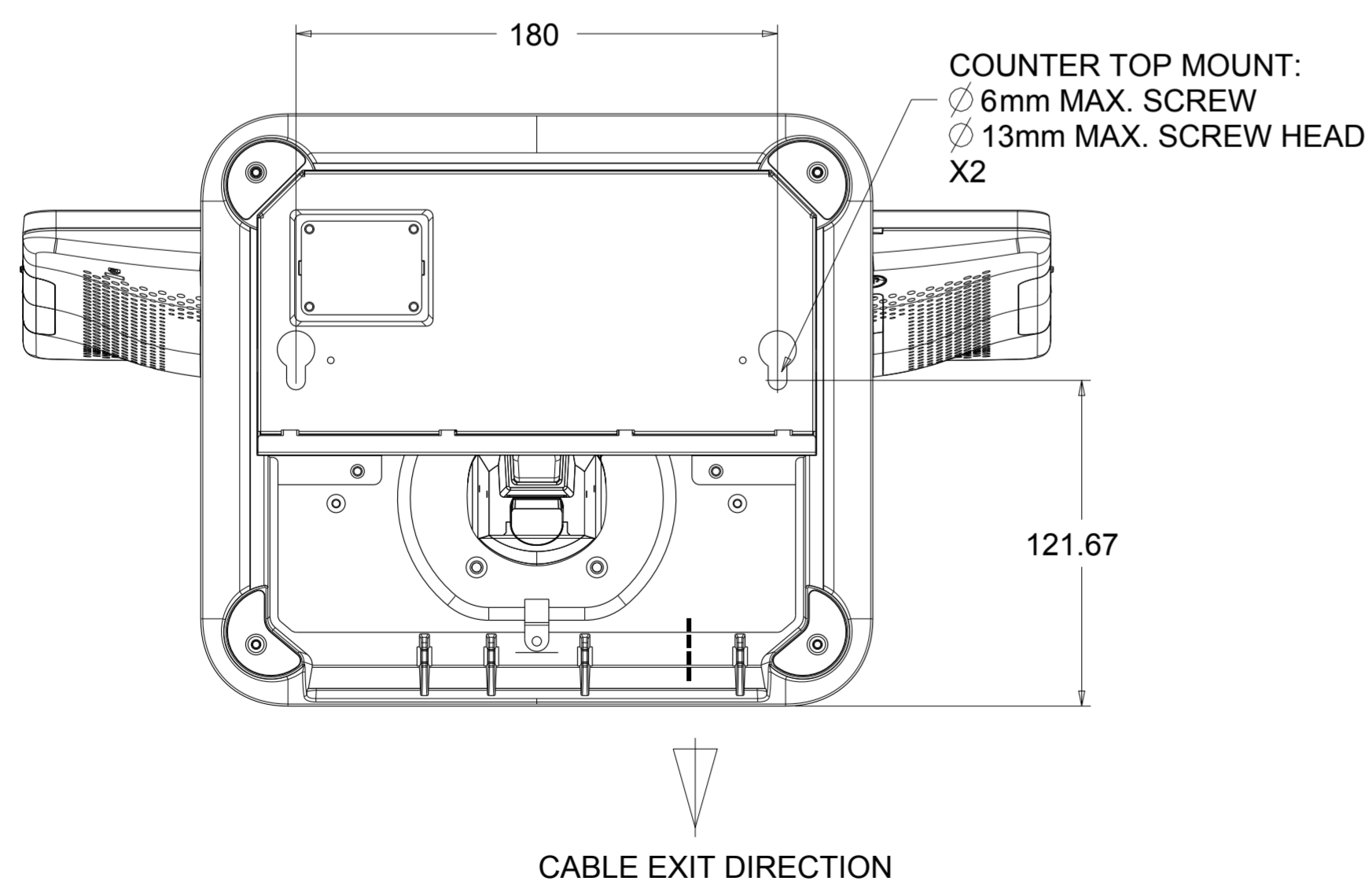
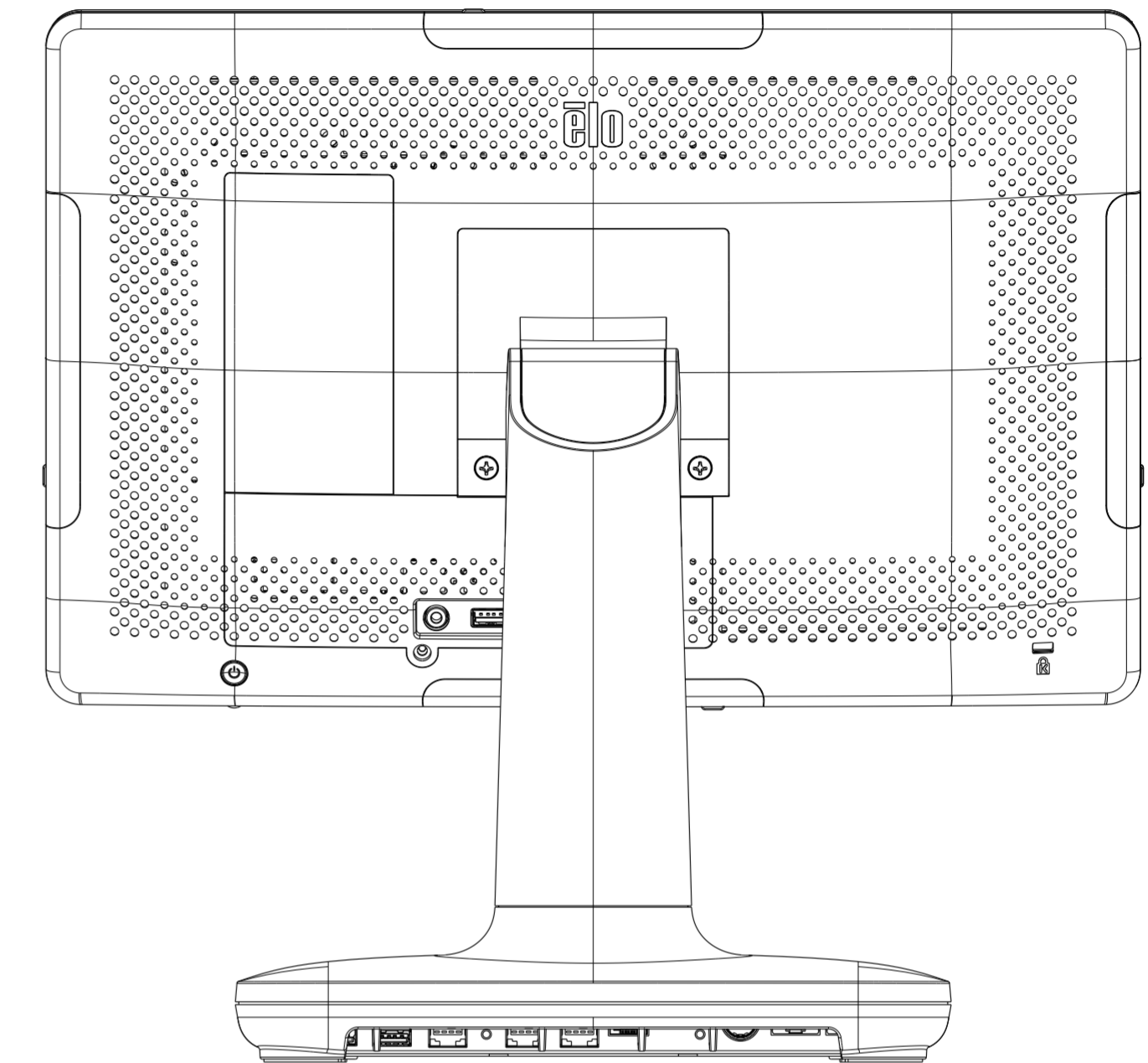
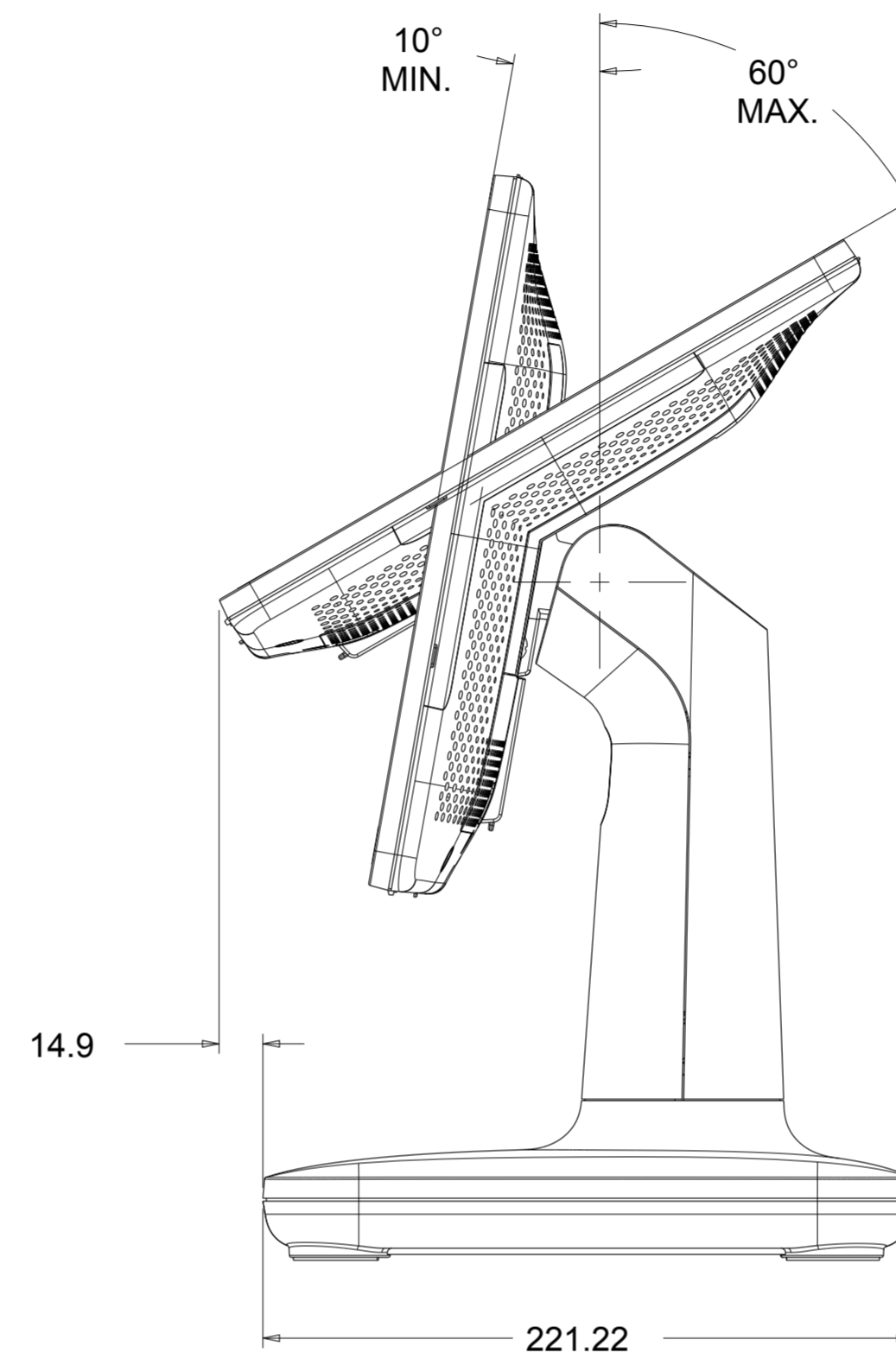
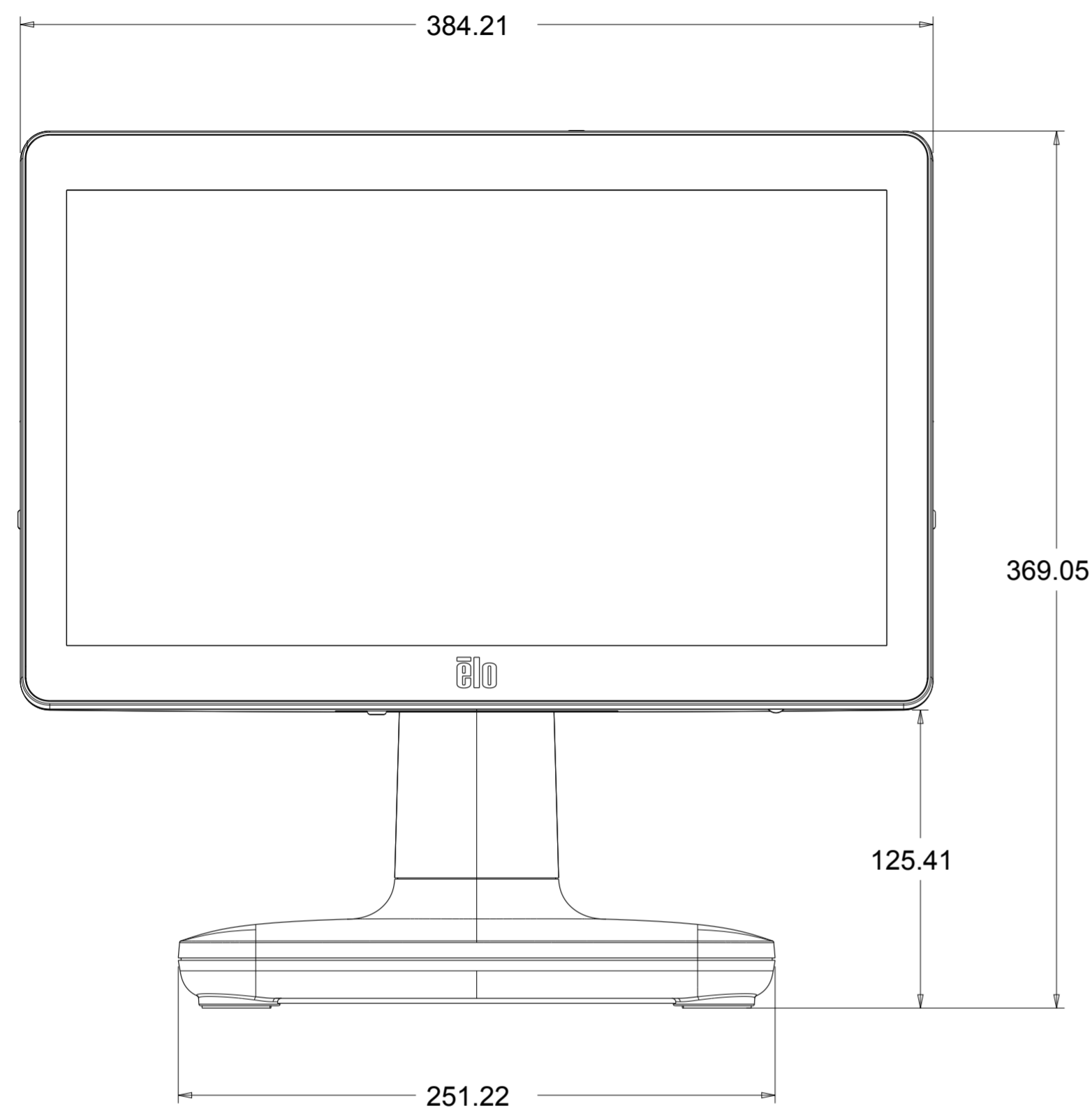


EloPos 15.6" WITH STAND

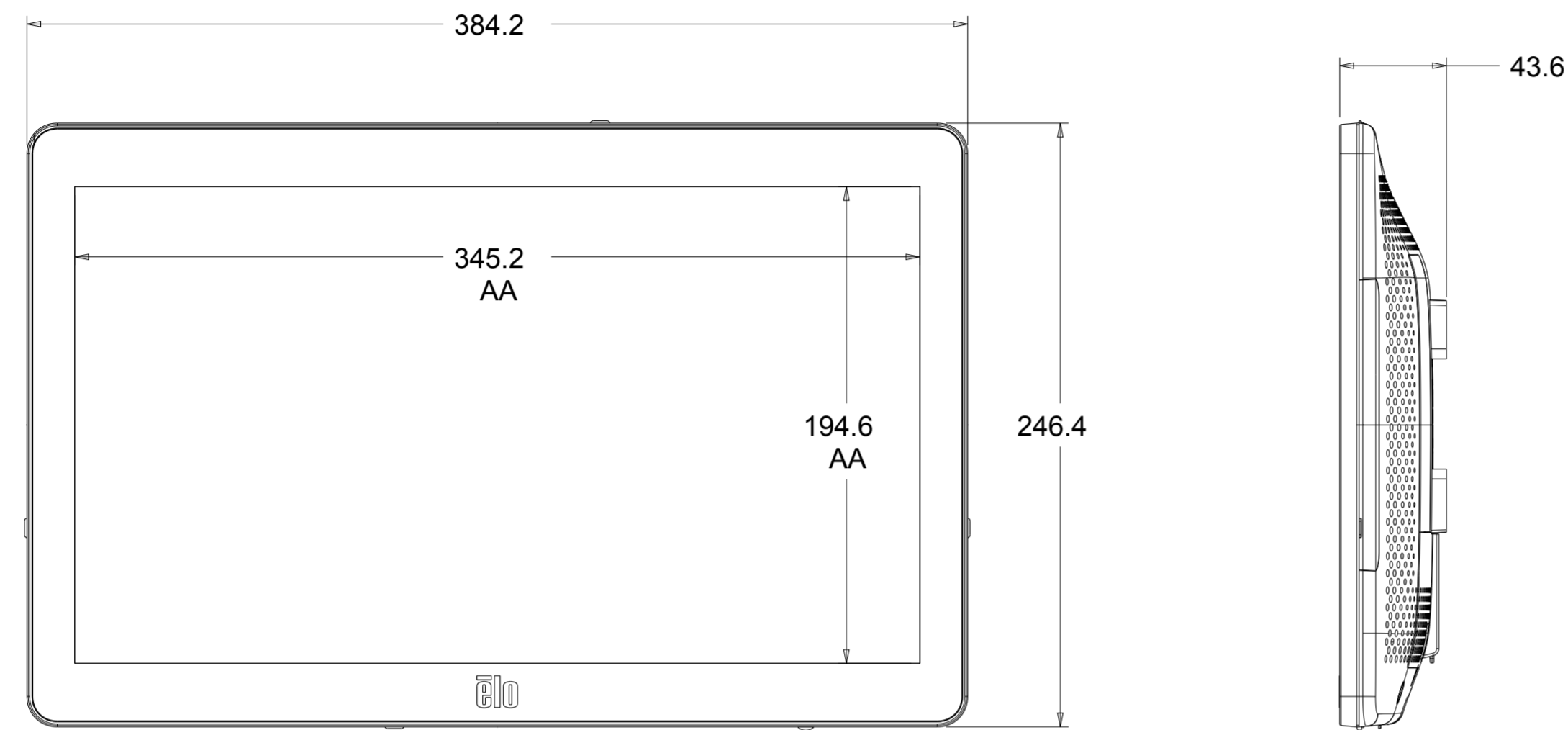
(SEE PG.2 FOR NO STAND VERSION)  
(SEE PG.3 FOR CUSTOMER DISPLAY OPTION)

(SEE PG.4 FOR 15" 4x3 VERSION)  
(SEE PG.5 FOR 17" 4x3 VERSION)  
(SEE PG.6 FOR 22" VERSION)

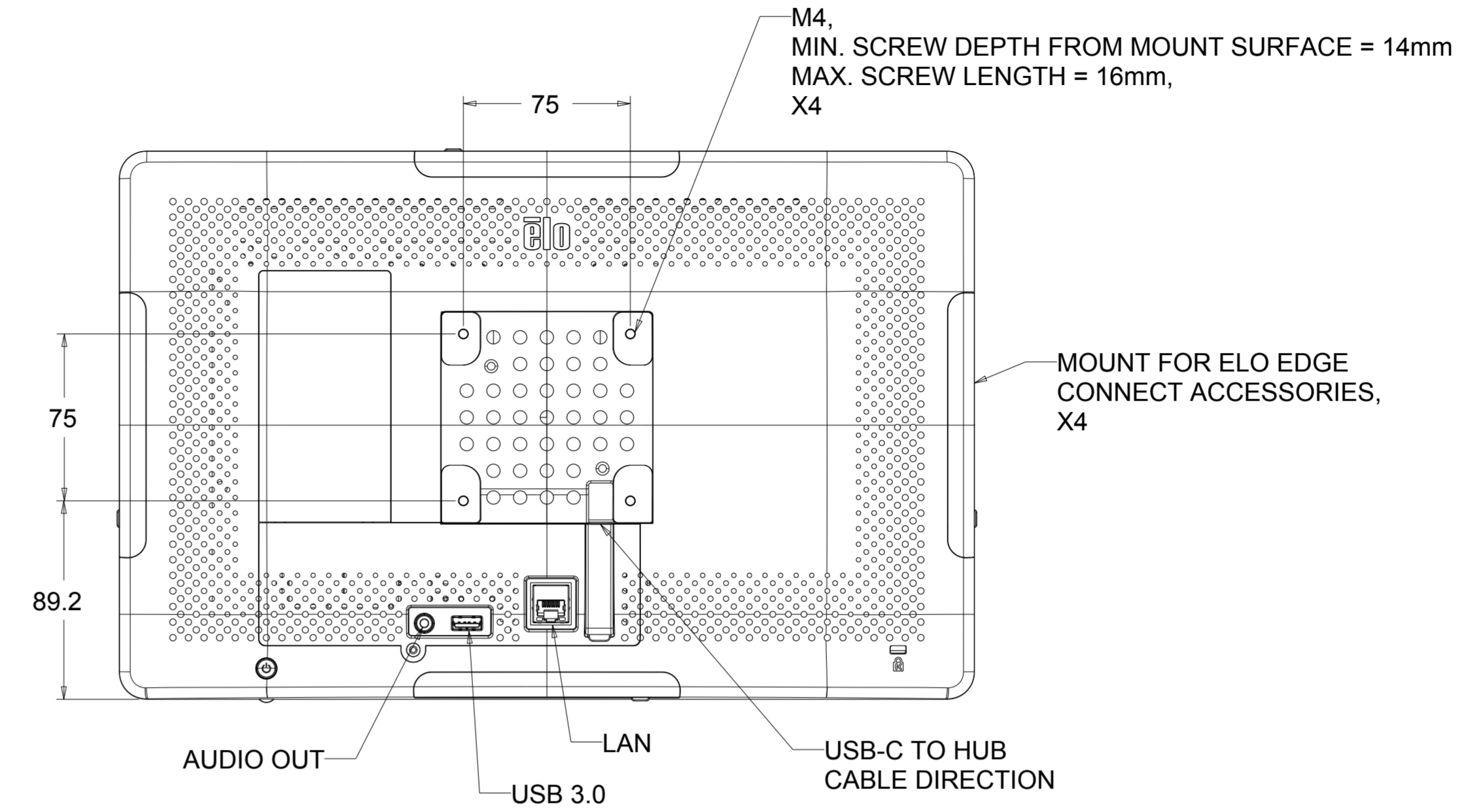


I/O DEFINITION FOR ALL STAND AND HUB MODELS

EloPos 15.6" NO STAND, WITH HUB

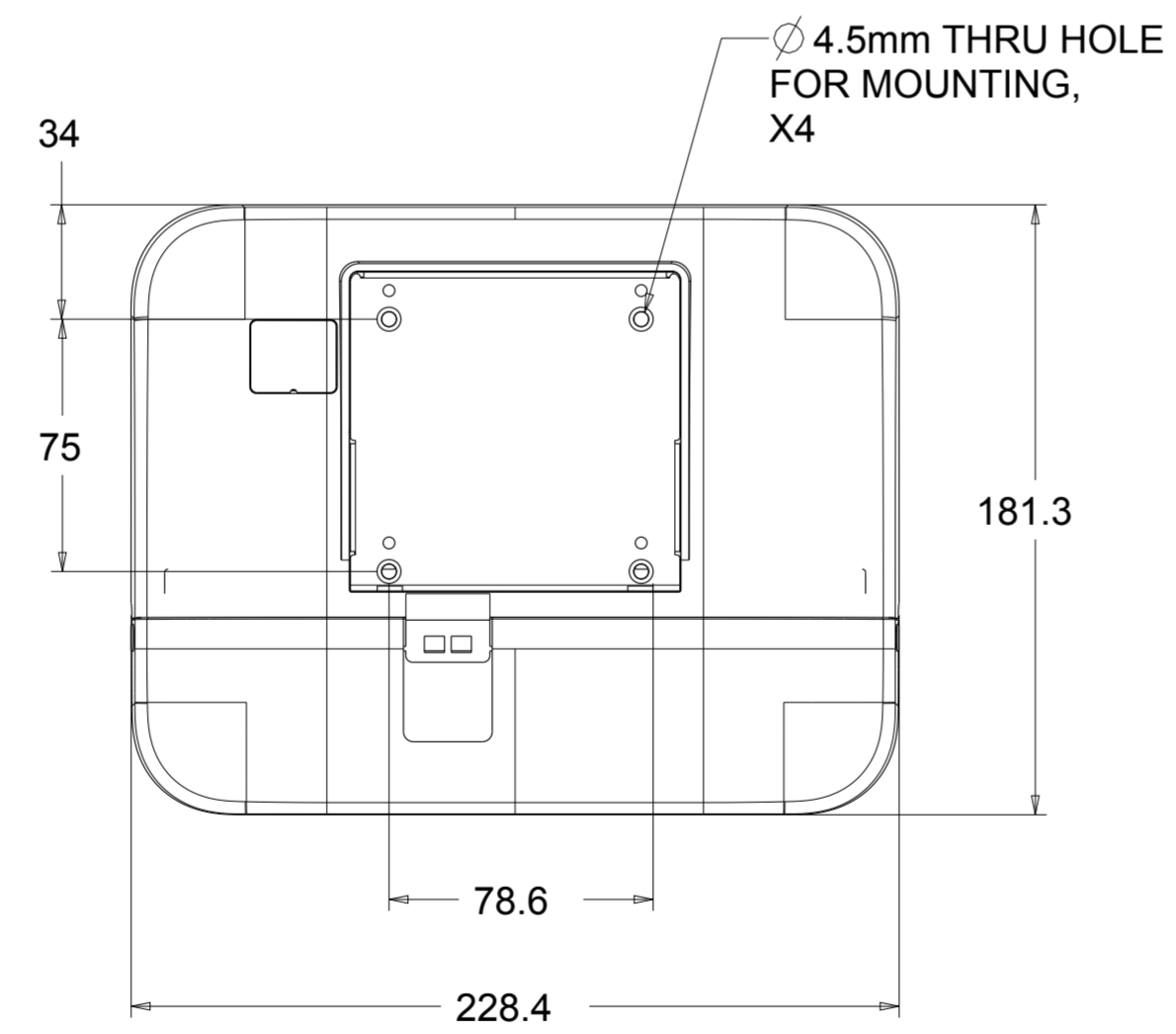
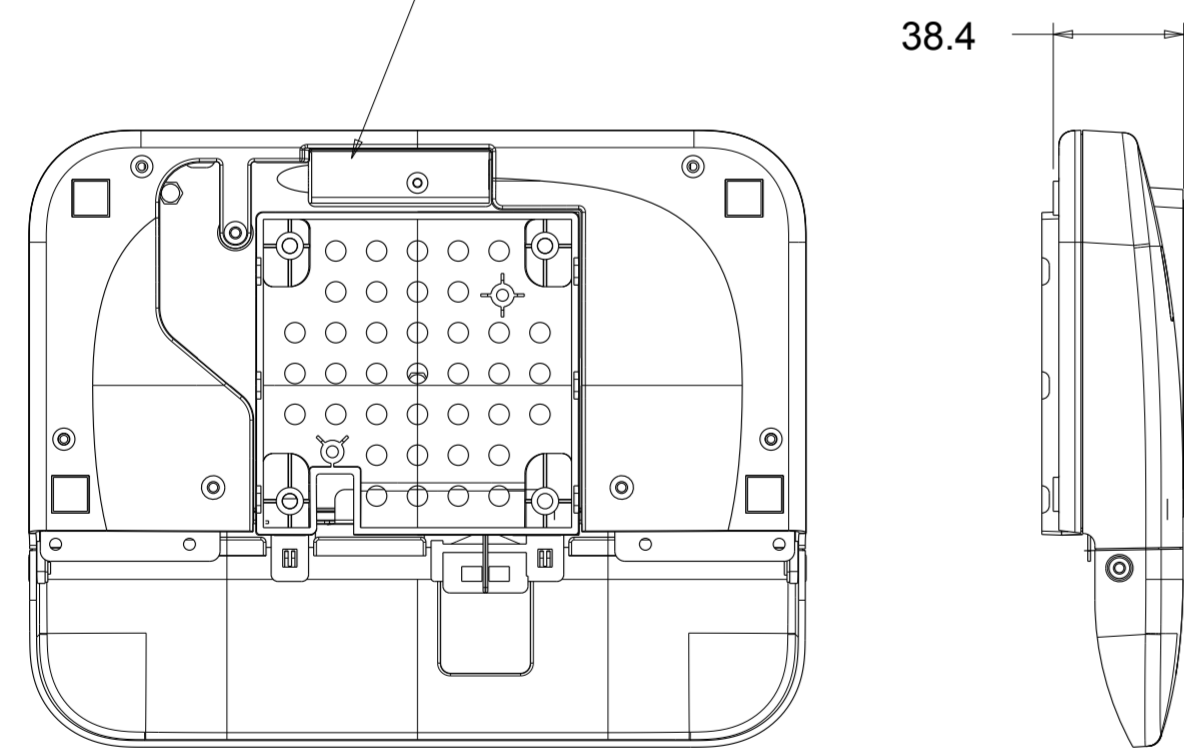


15.6" WITH HUB NOT ATTACHED TO BACK

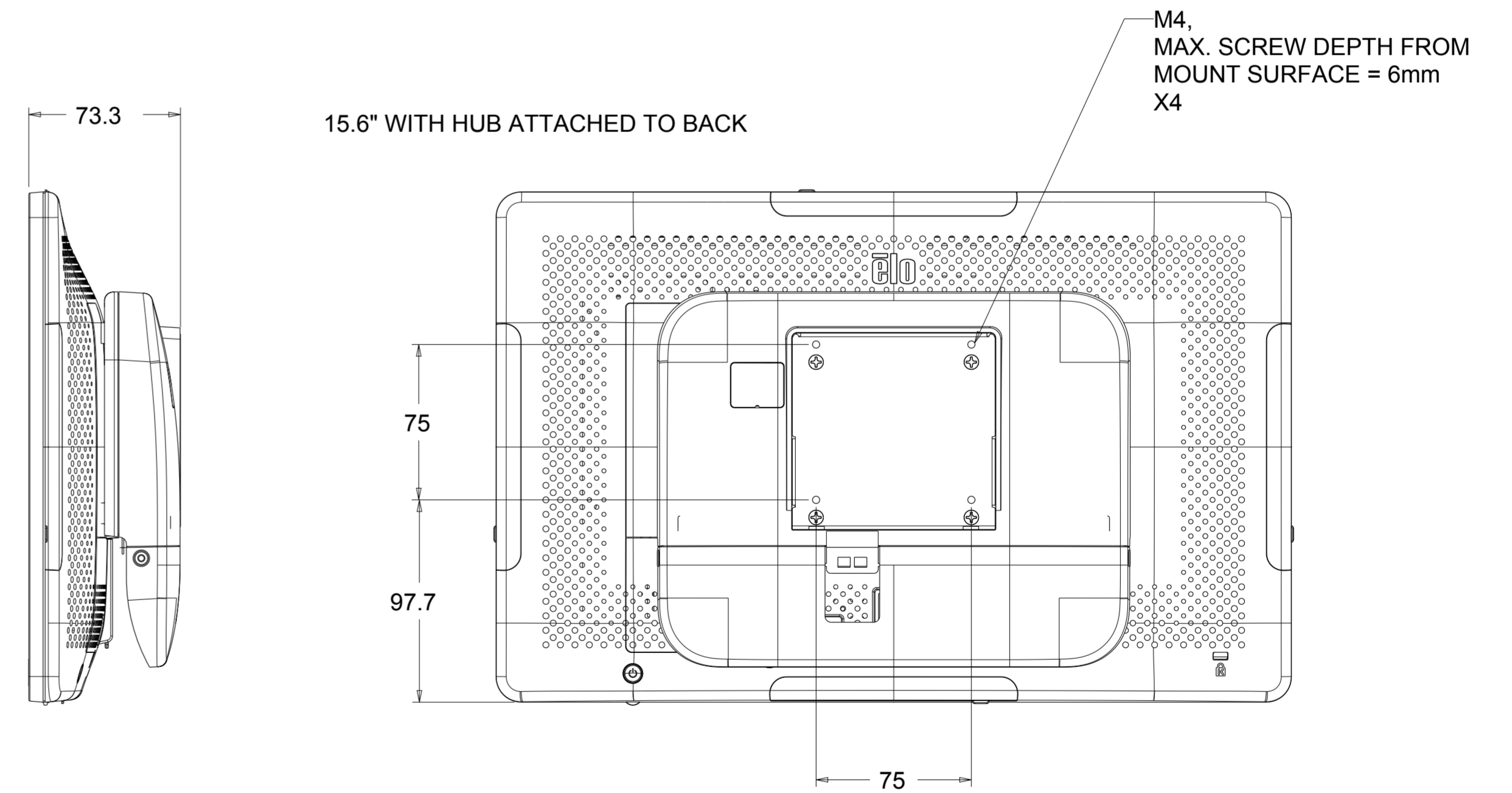


HUB DIMENSIONS  
(SEE PG.1 FOR I/O DEFINITION)

USB-C CABLE DIRECTION

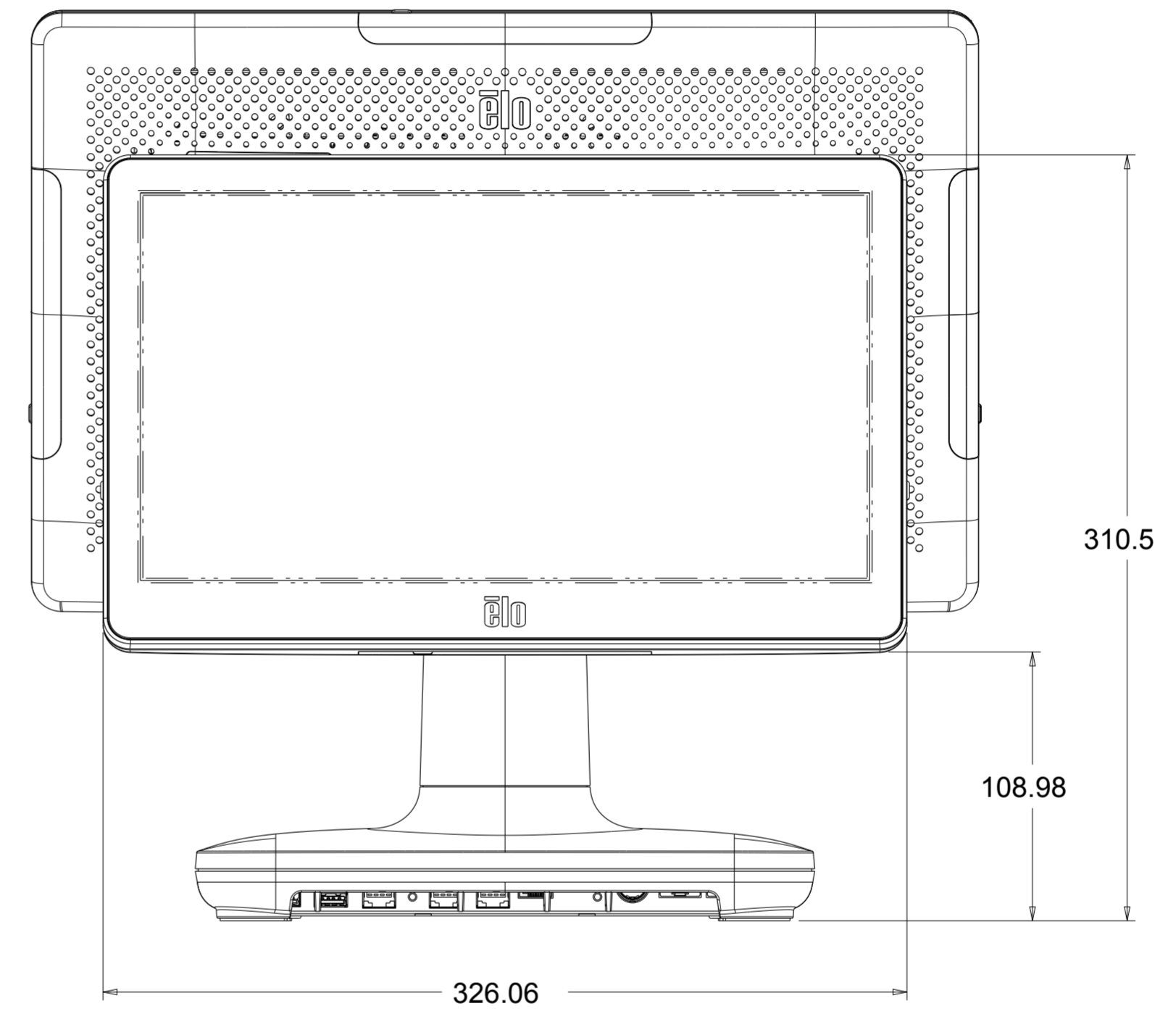
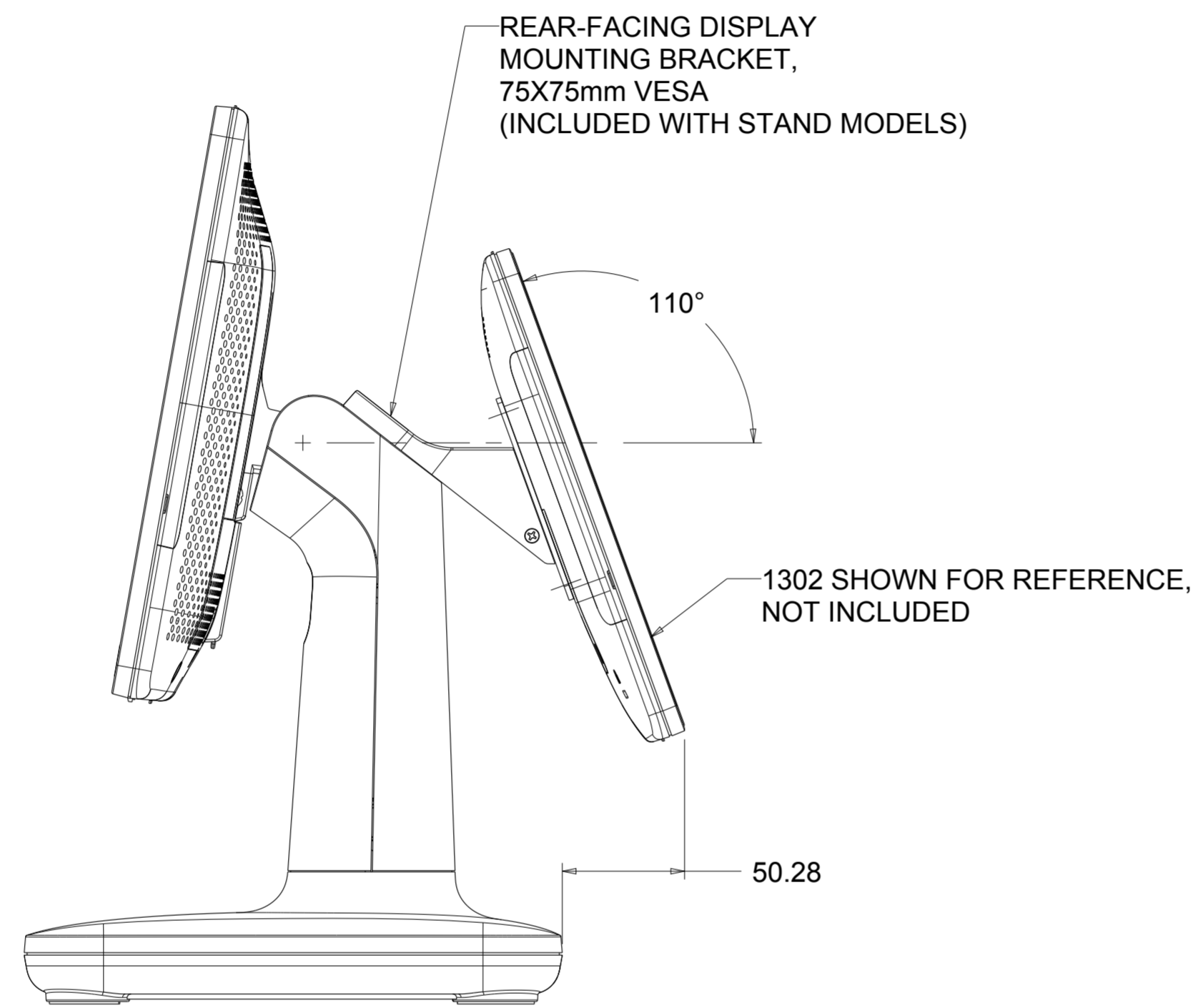


15.6" WITH HUB ATTACHED TO BACK



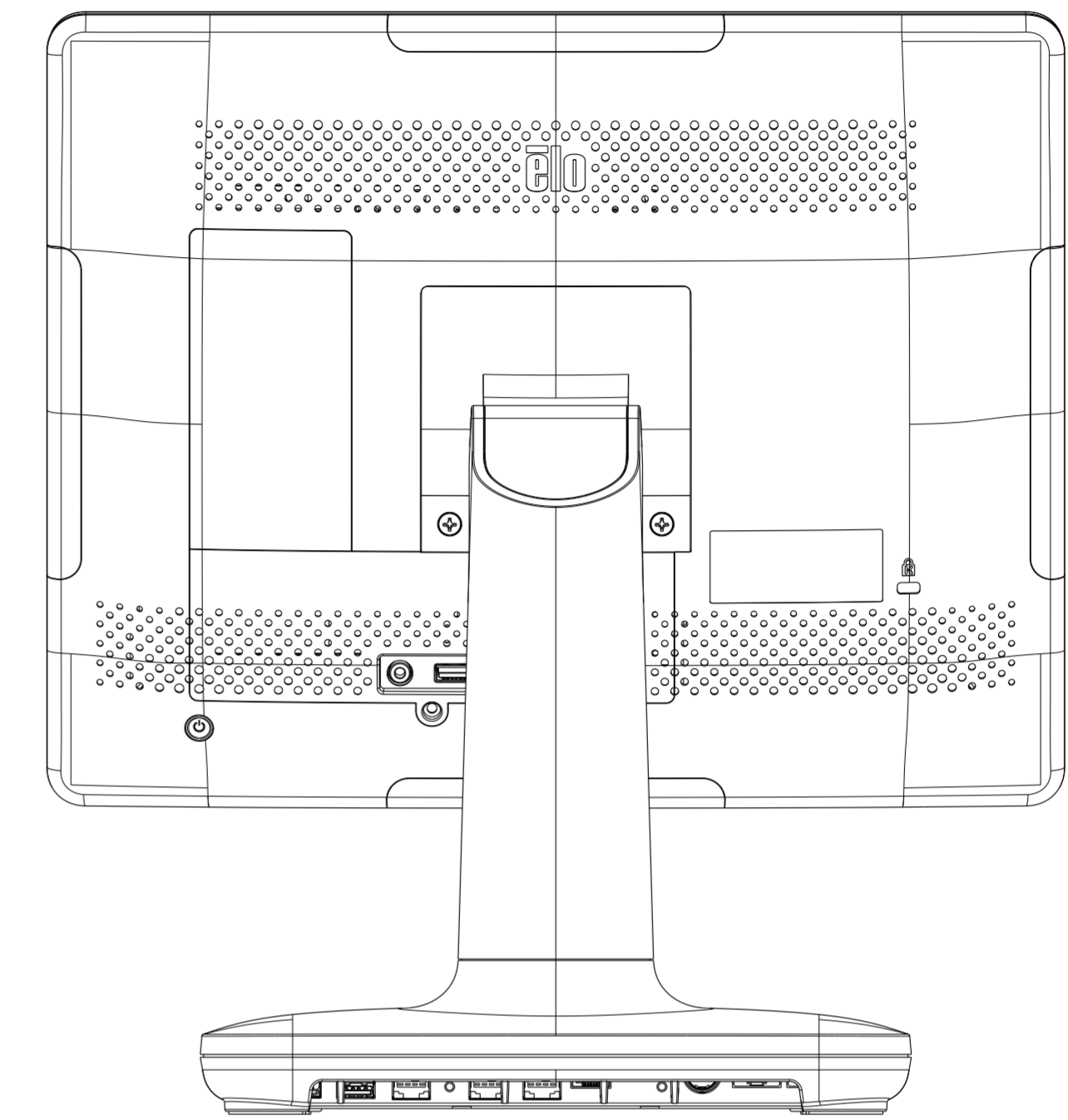
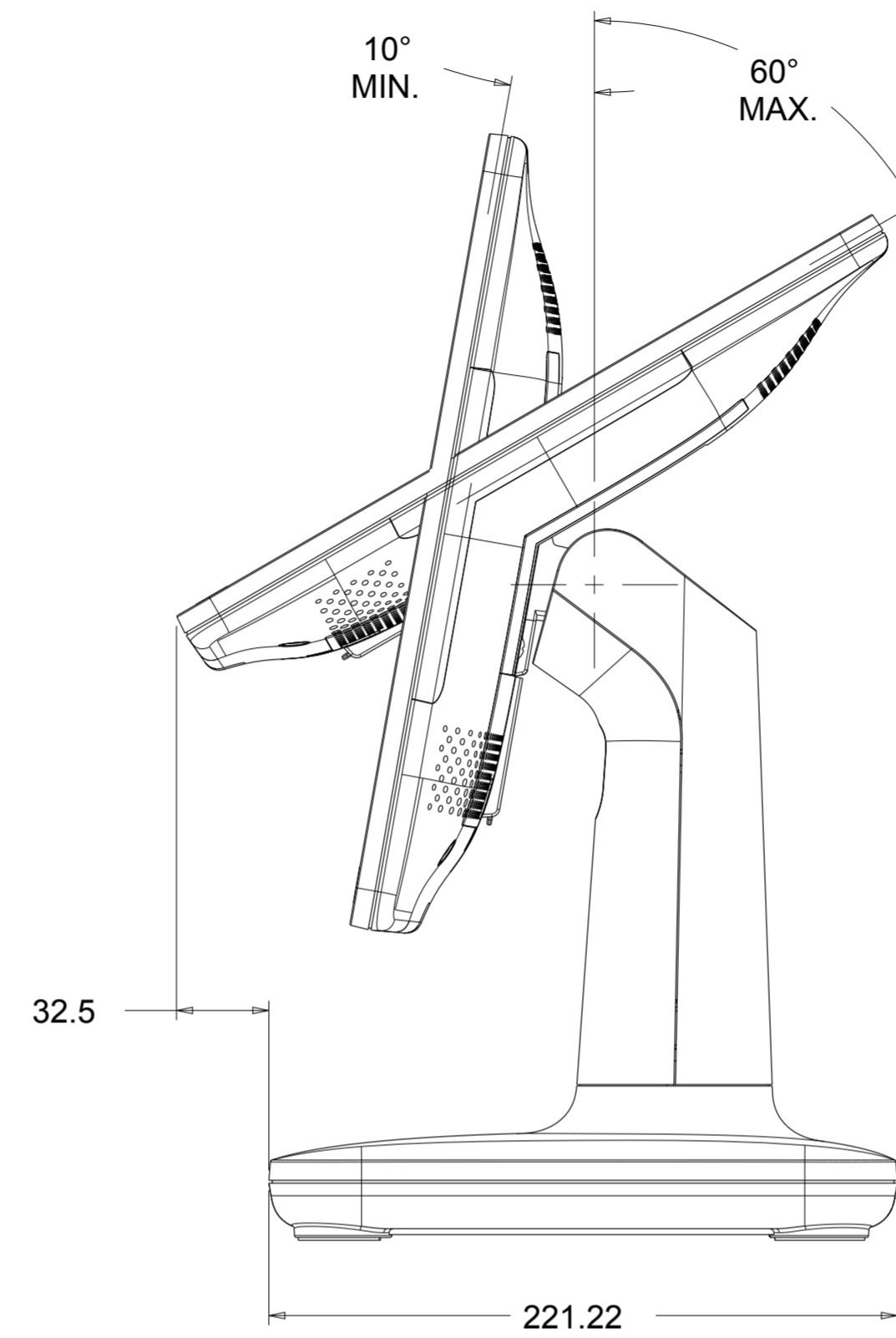
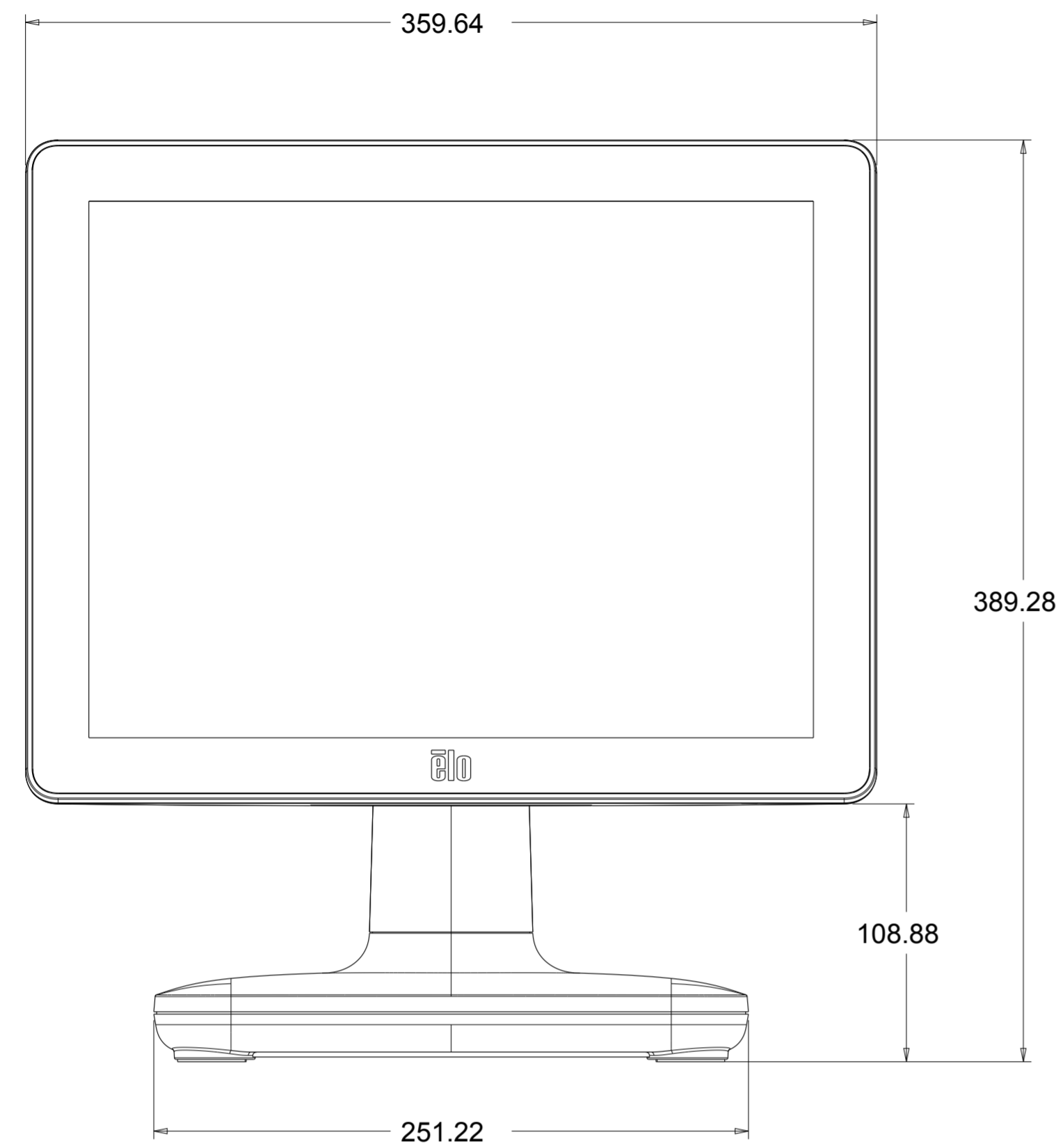
EloPos WITH REAR-FACING DISPLAY MOUNT

(FOR ALL MODELS)

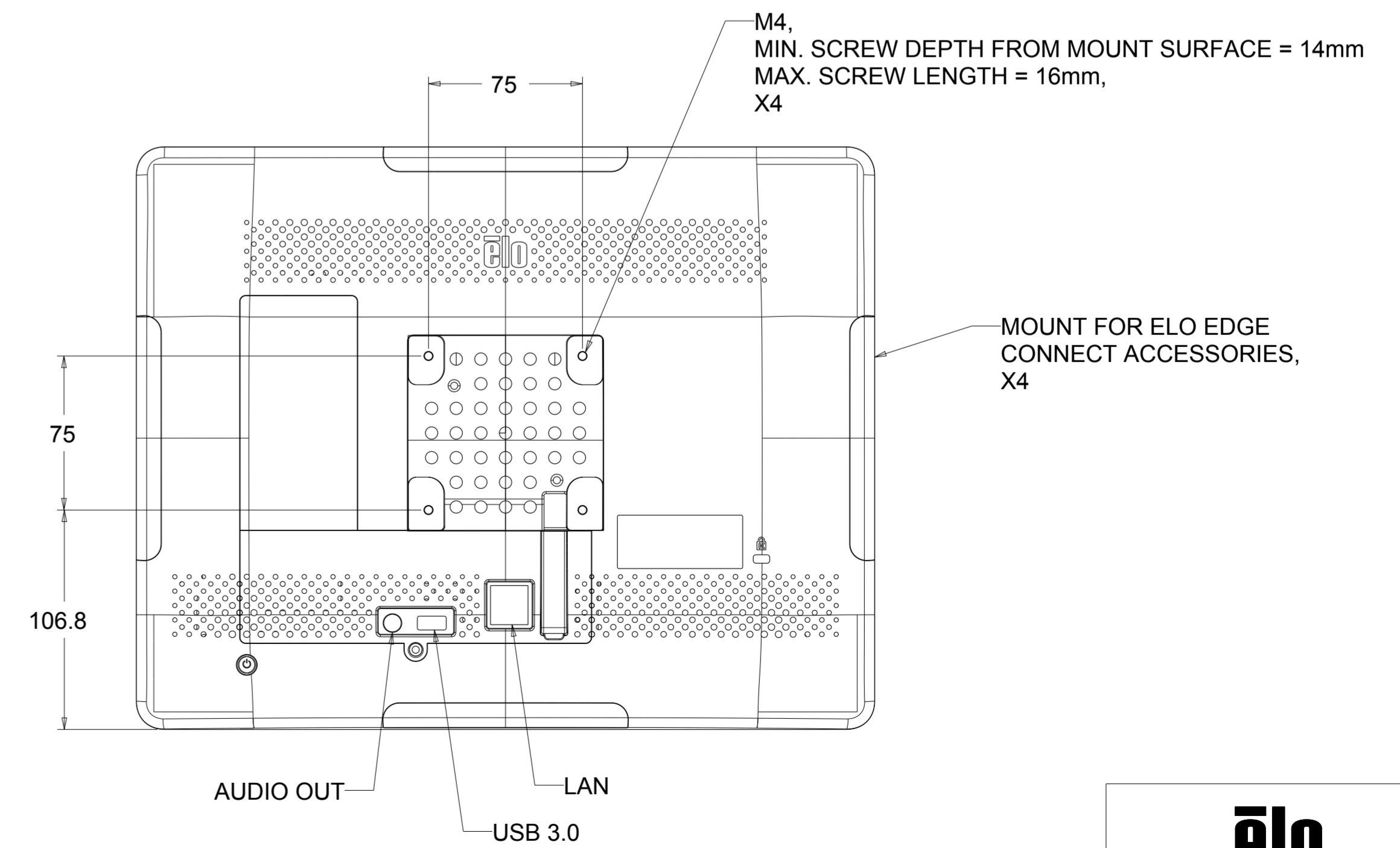
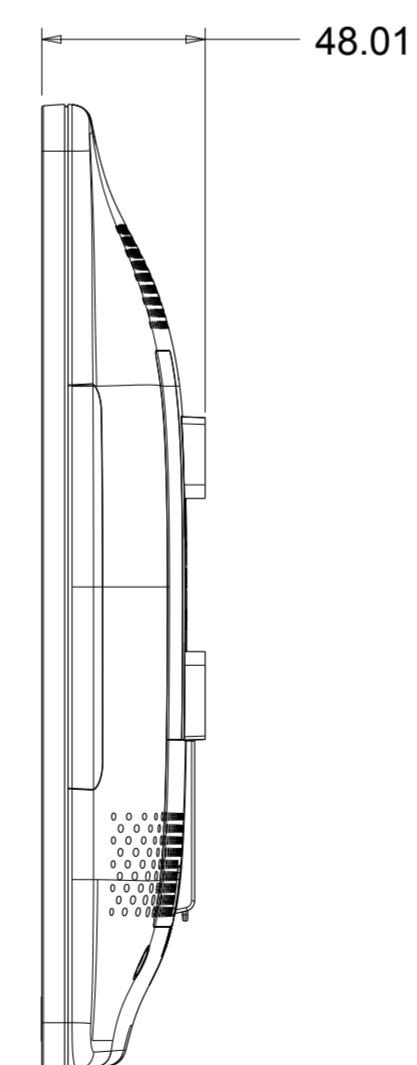
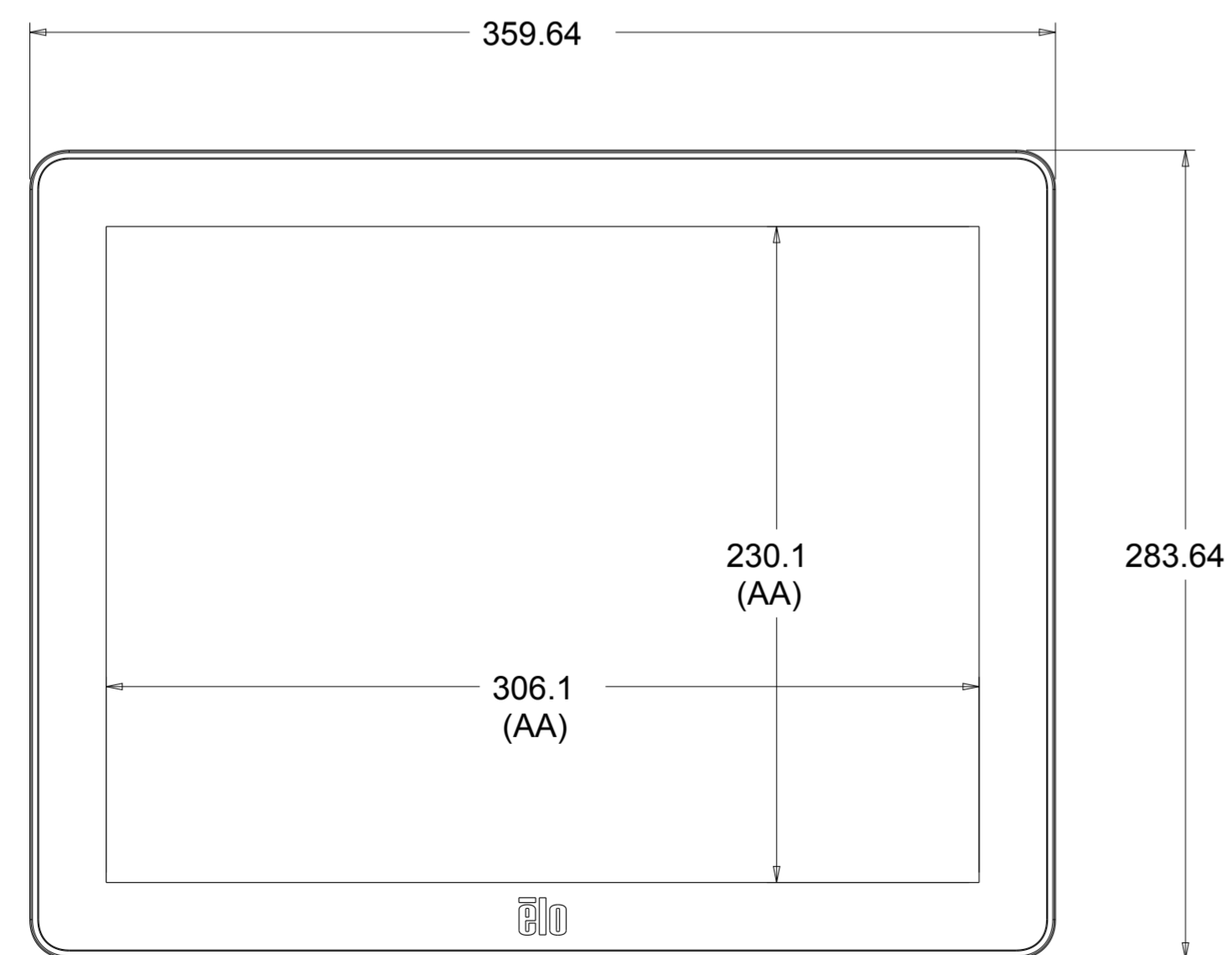


EloPos 15" WITH STAND

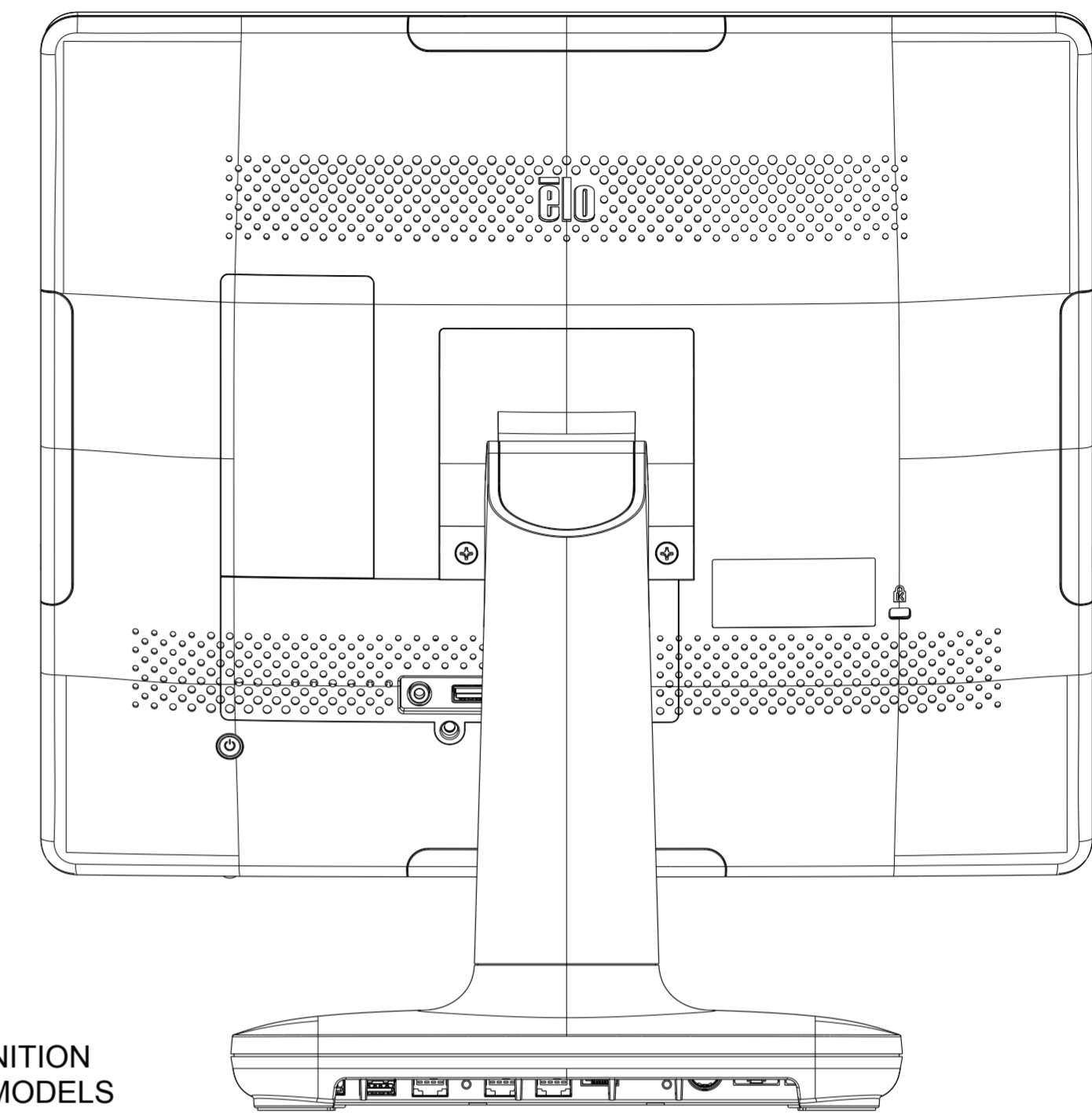
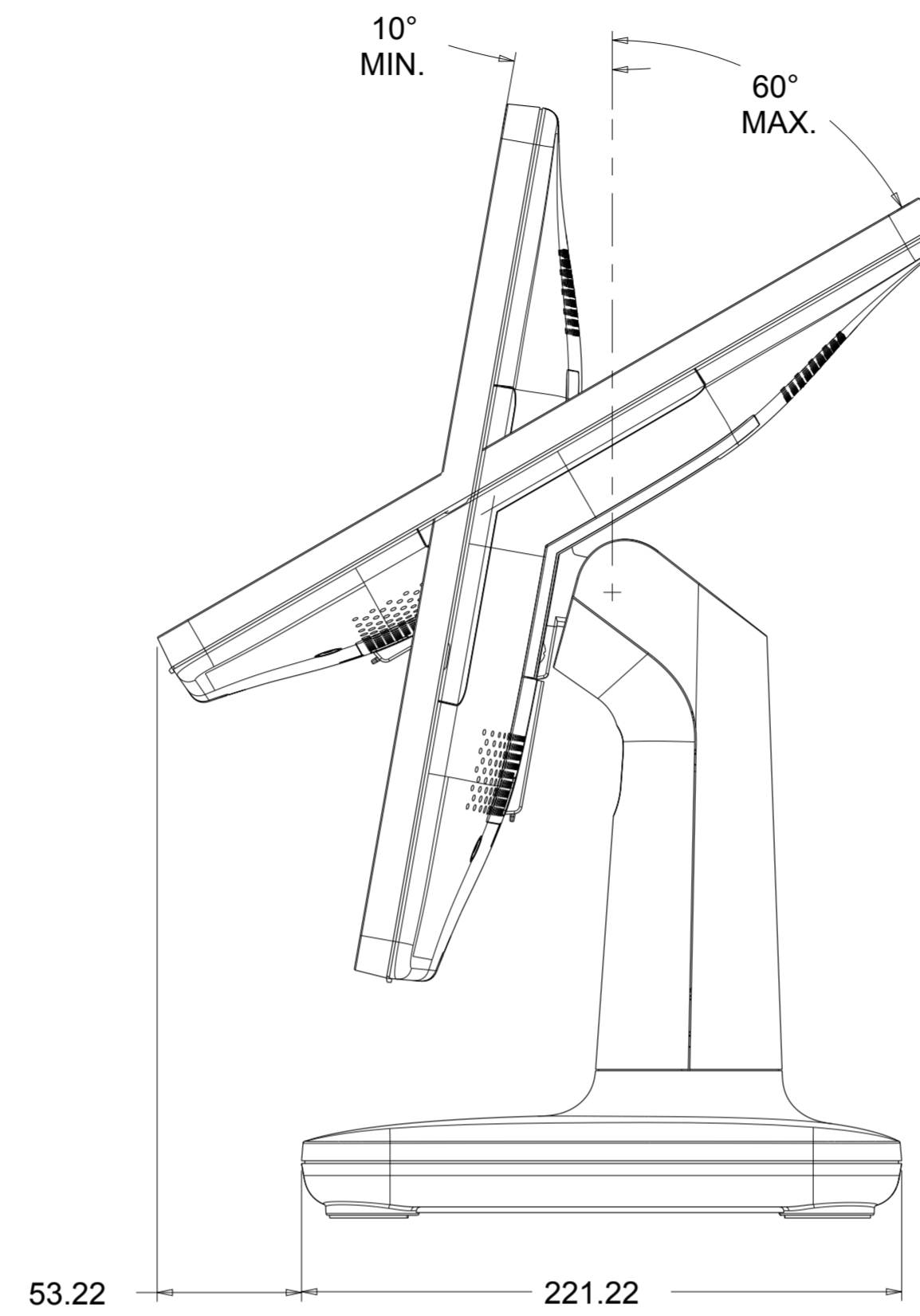
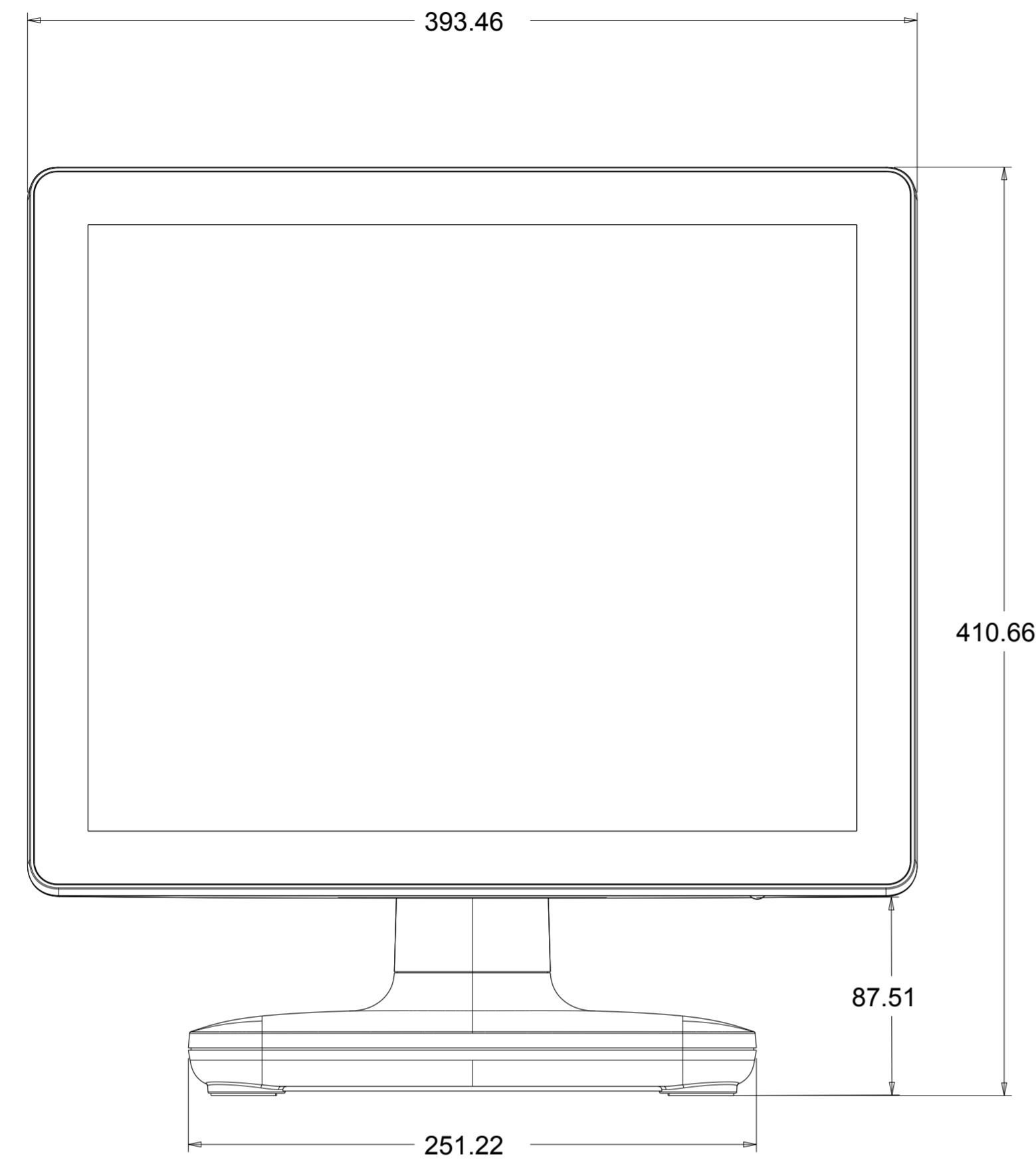
(SEE PG.2 FOR NO STAND VERSION)  
 (SEE PG.3 FOR CUSTOMER DISPLAY OPTION)



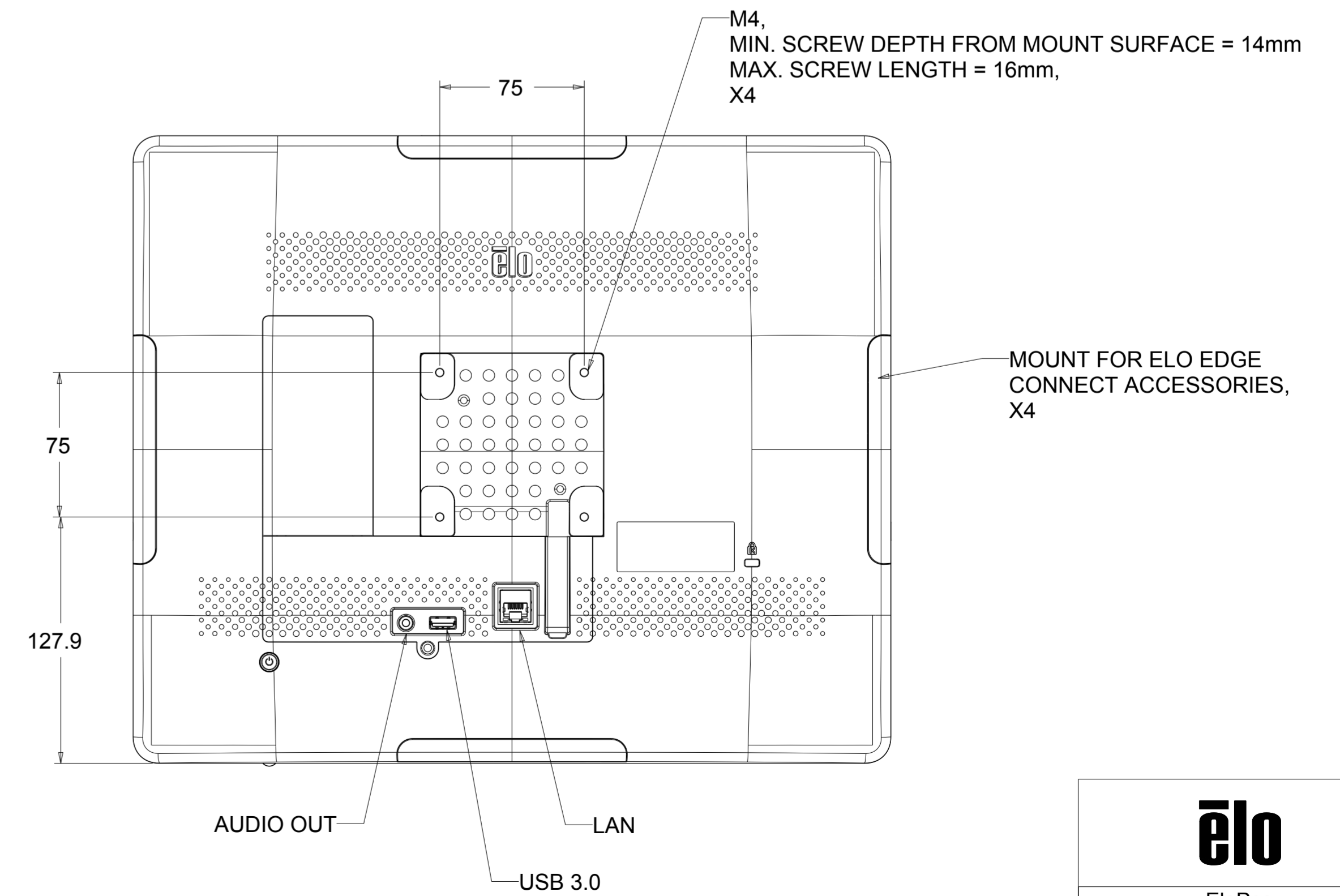
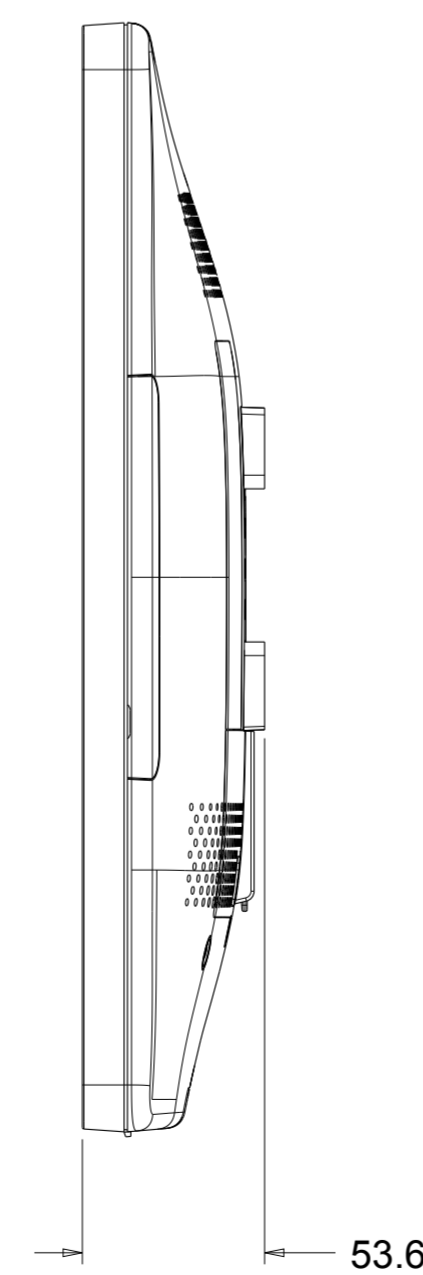
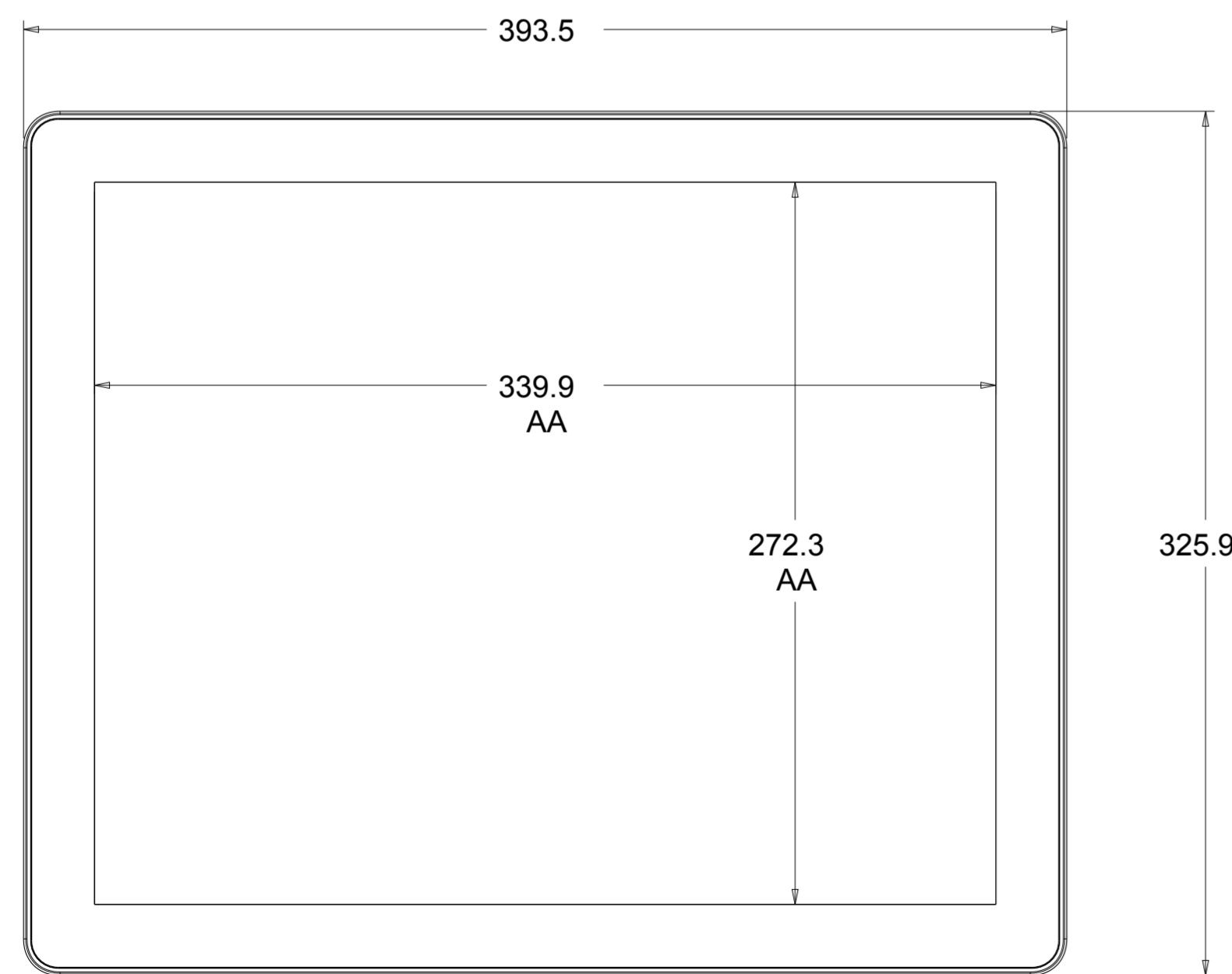
SEE PG.1 FOR I/O DEFINITION FOR STAND AND HUB MODELS



**EloPos 17" WITH STAND**  
 (SEE PG.3 FOR CUSTOMER DISPLAY OPTION)

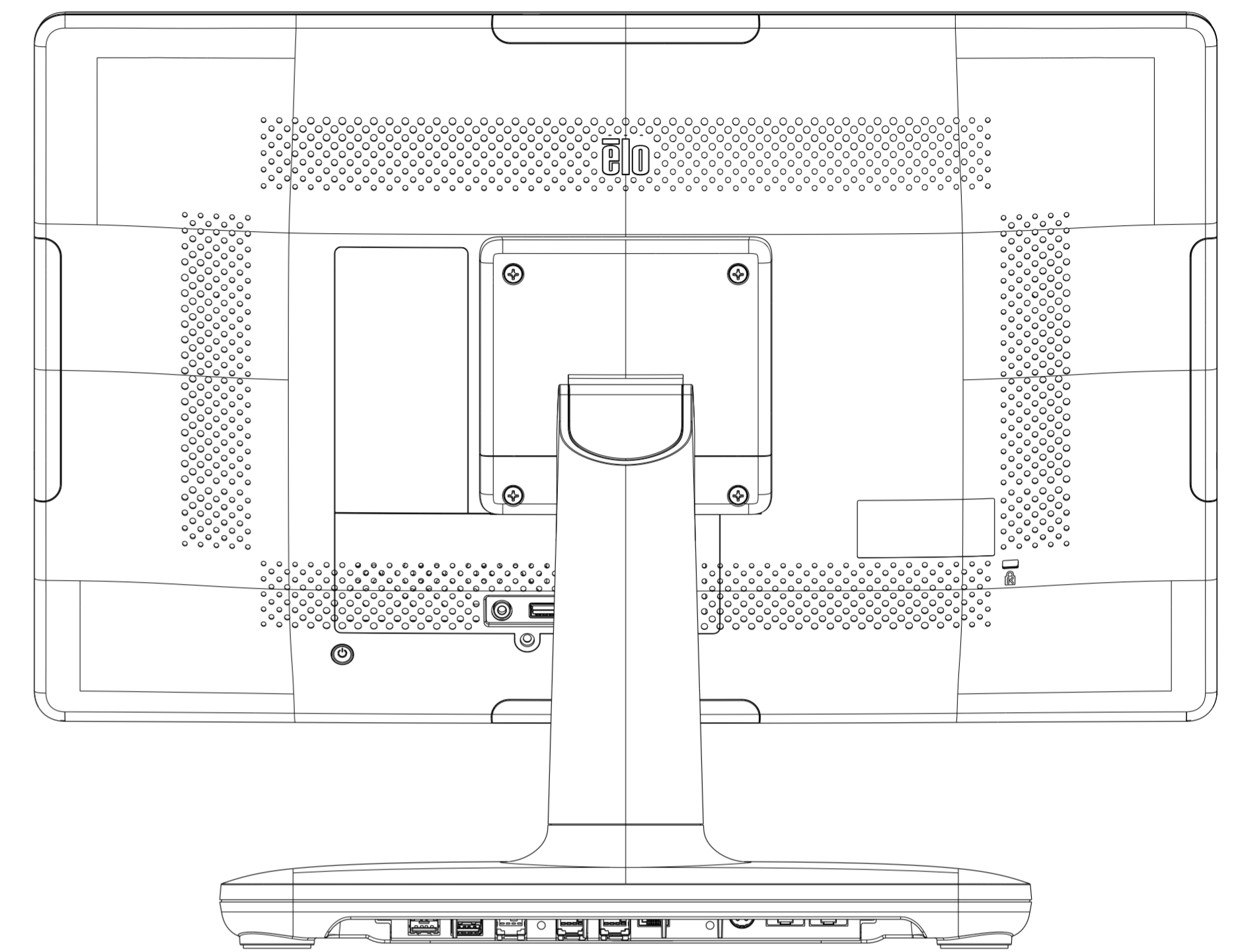
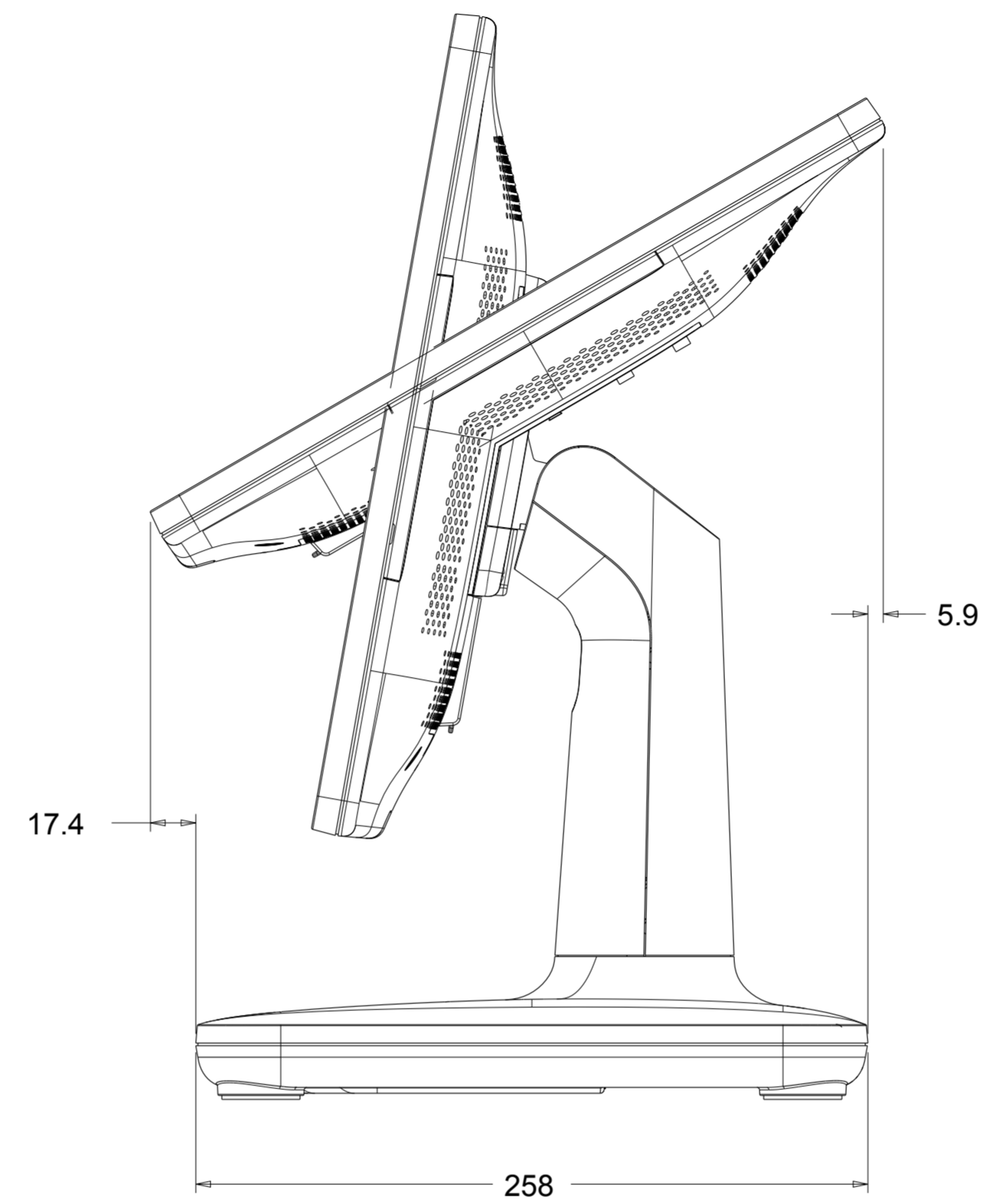
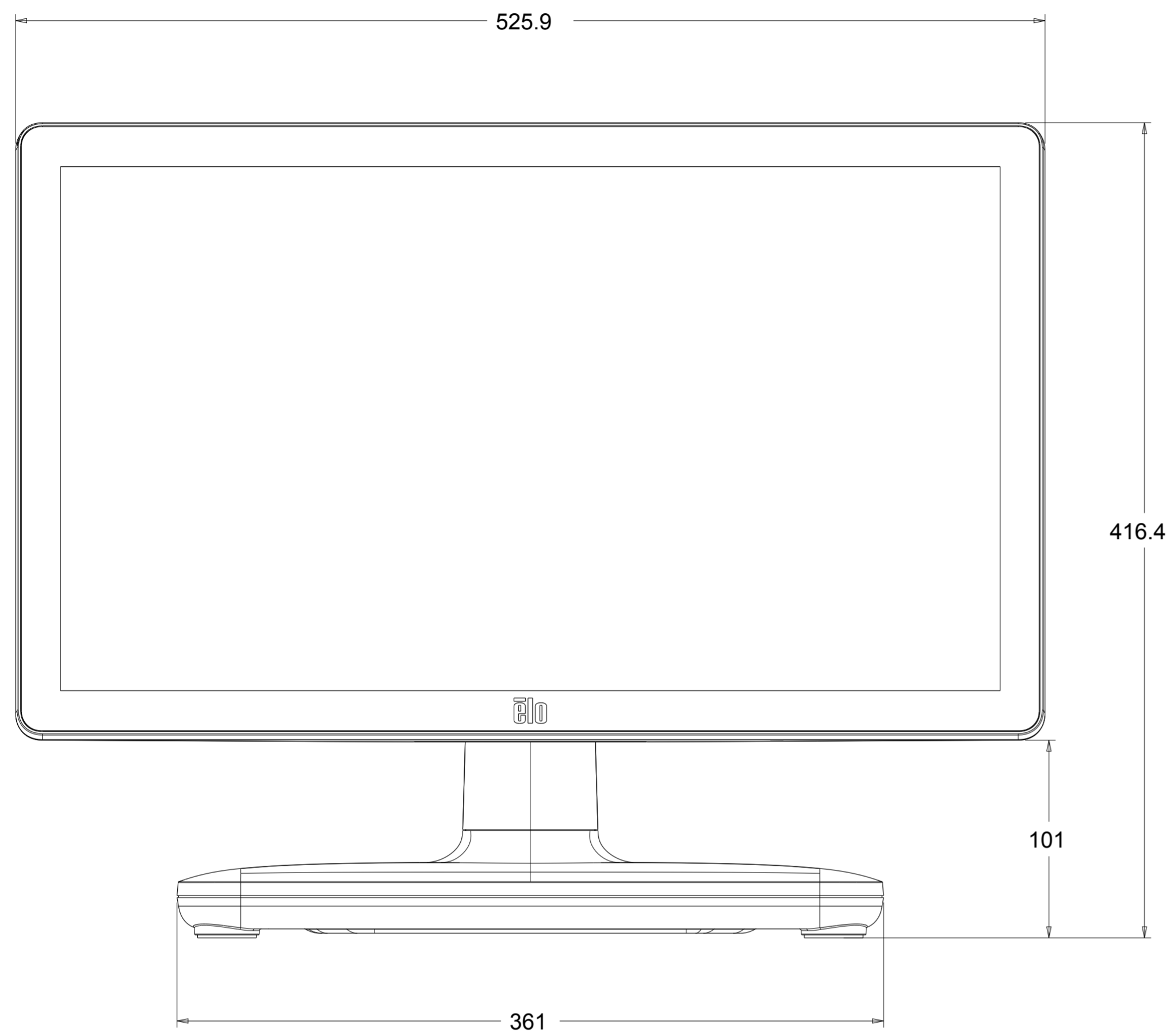


SEE PG.1 FOR I/O DEFINITION  
 FOR STAND AND HUB MODELS

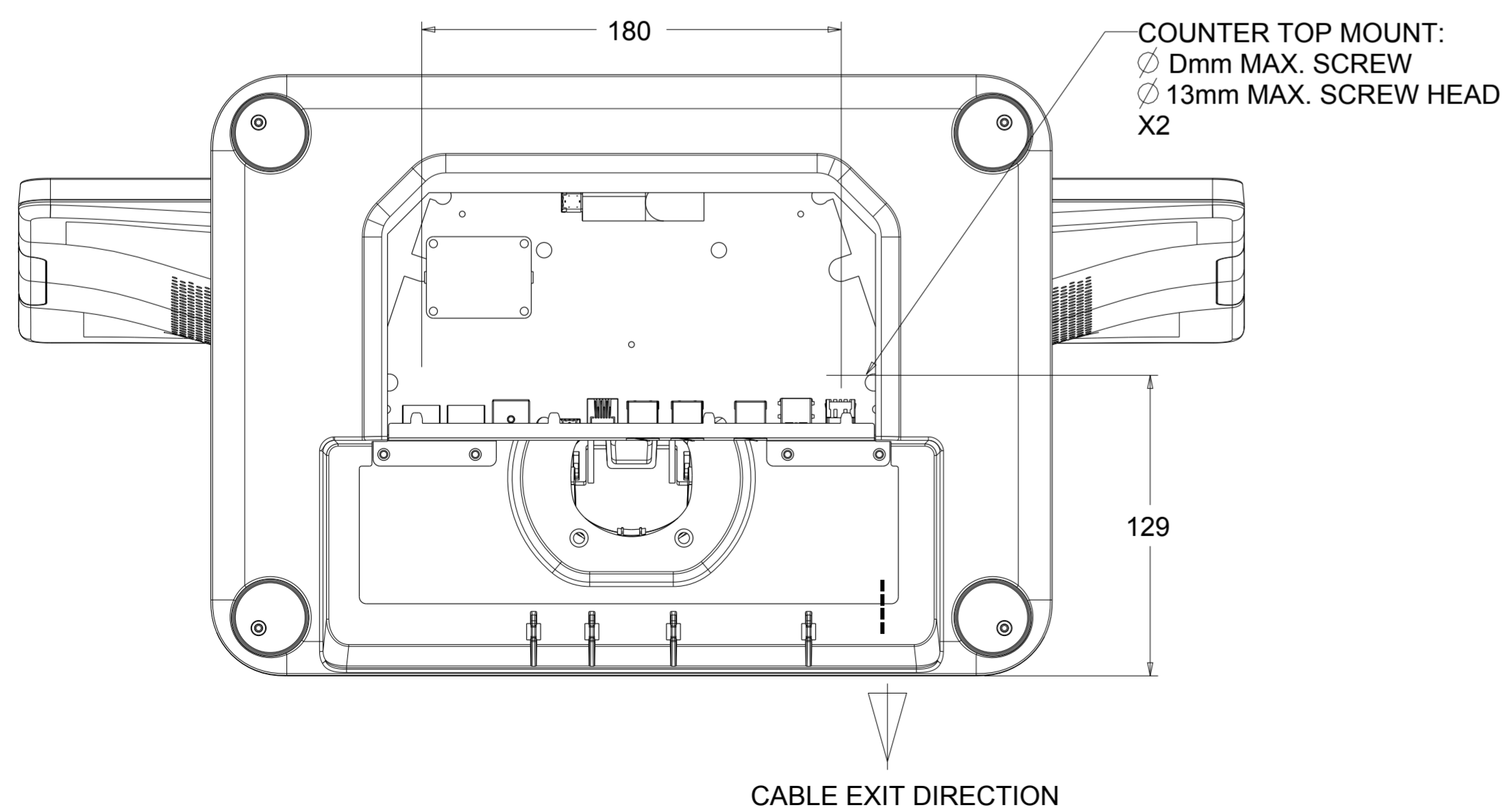


EloPos 22" WITH STAND

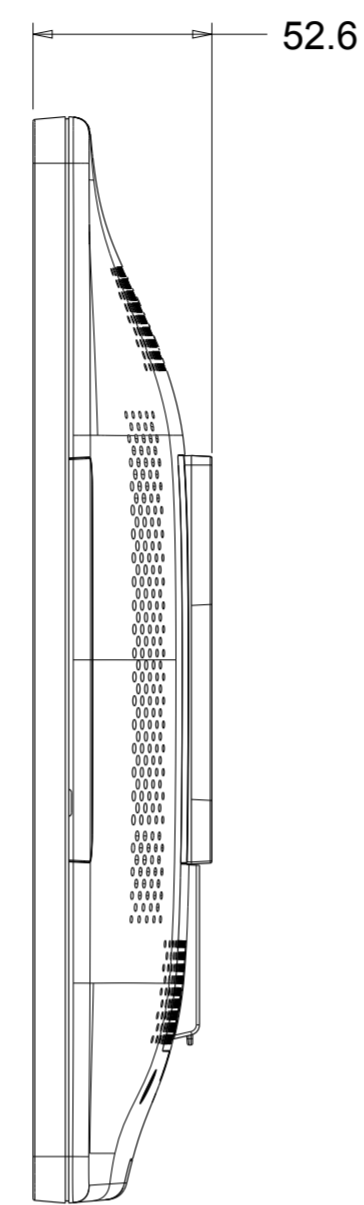
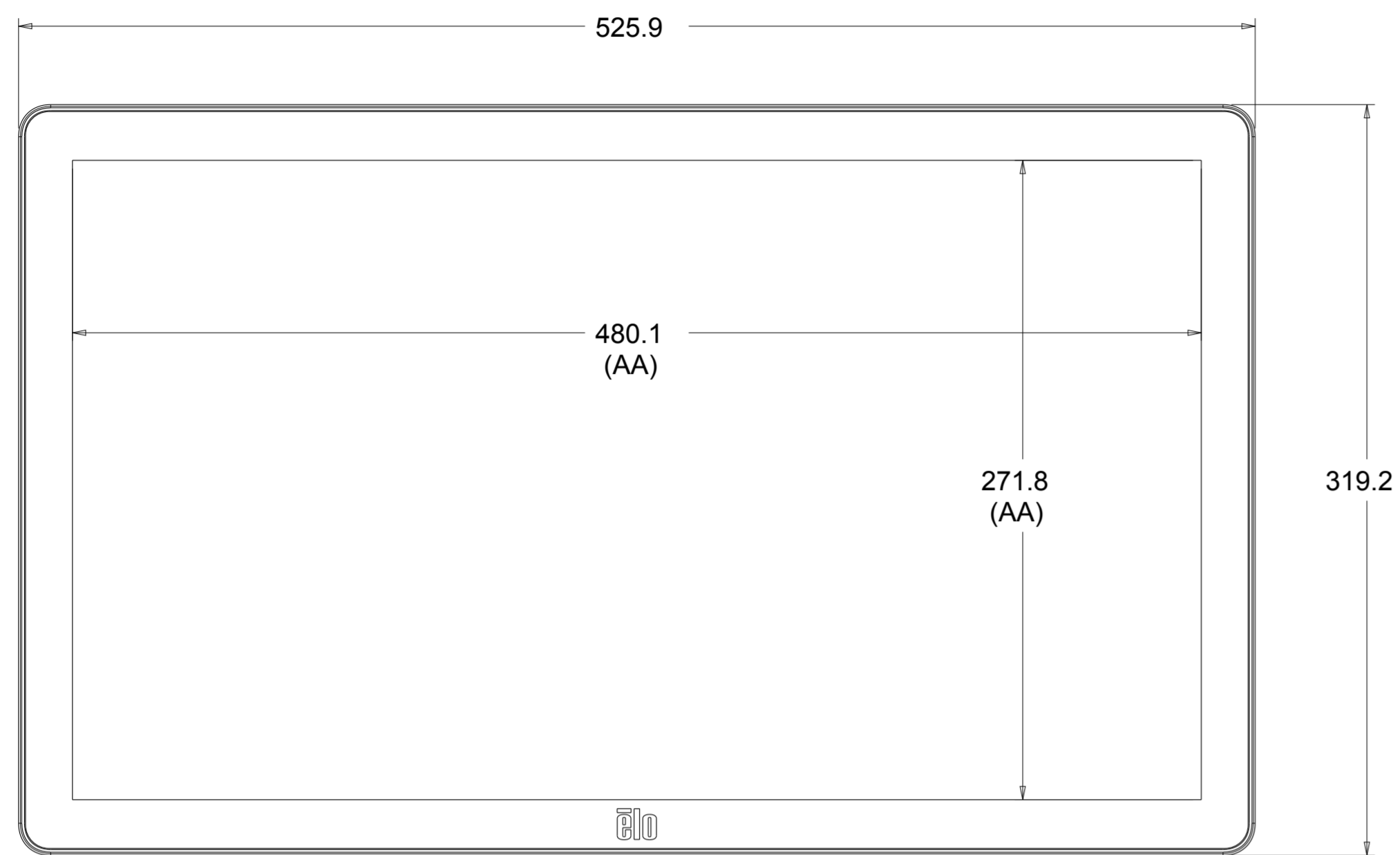
(SEE PG.6 FOR NO STAND VERSION)  
(SEE PG.2 FOR CUSTOMER DISPLAY OPTION)



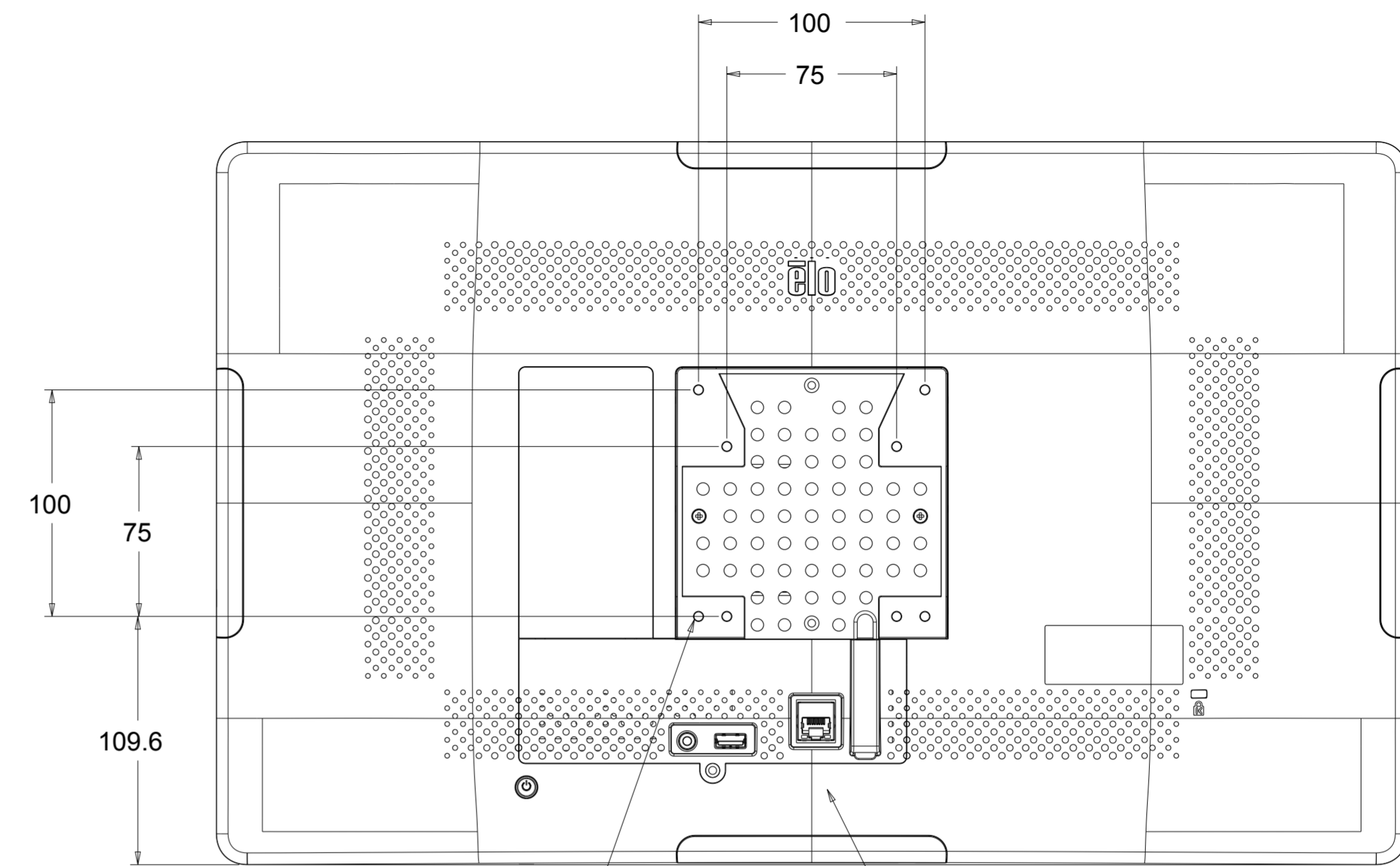
SEE PG.1 FOR I/O DEFINITION FOR STAND AND HUB MODELS



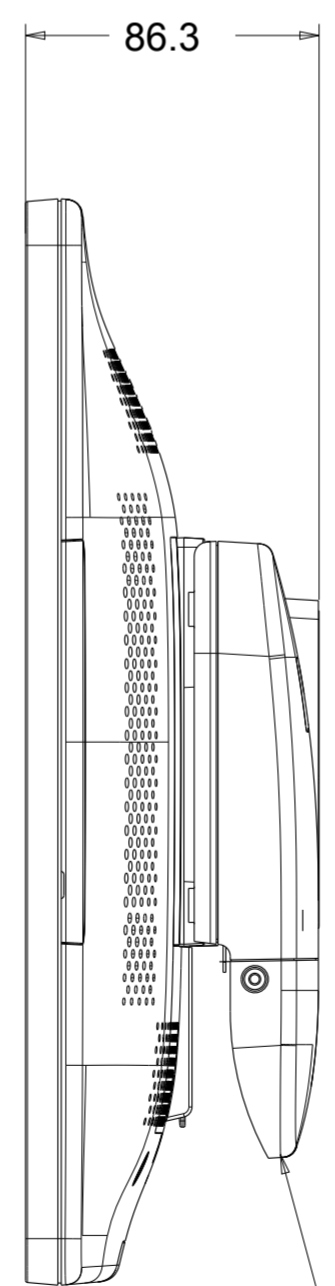
EloPos 22" NO STAND, WITH HUB



22" WITH HUB NOT ATTACHED TO BACK

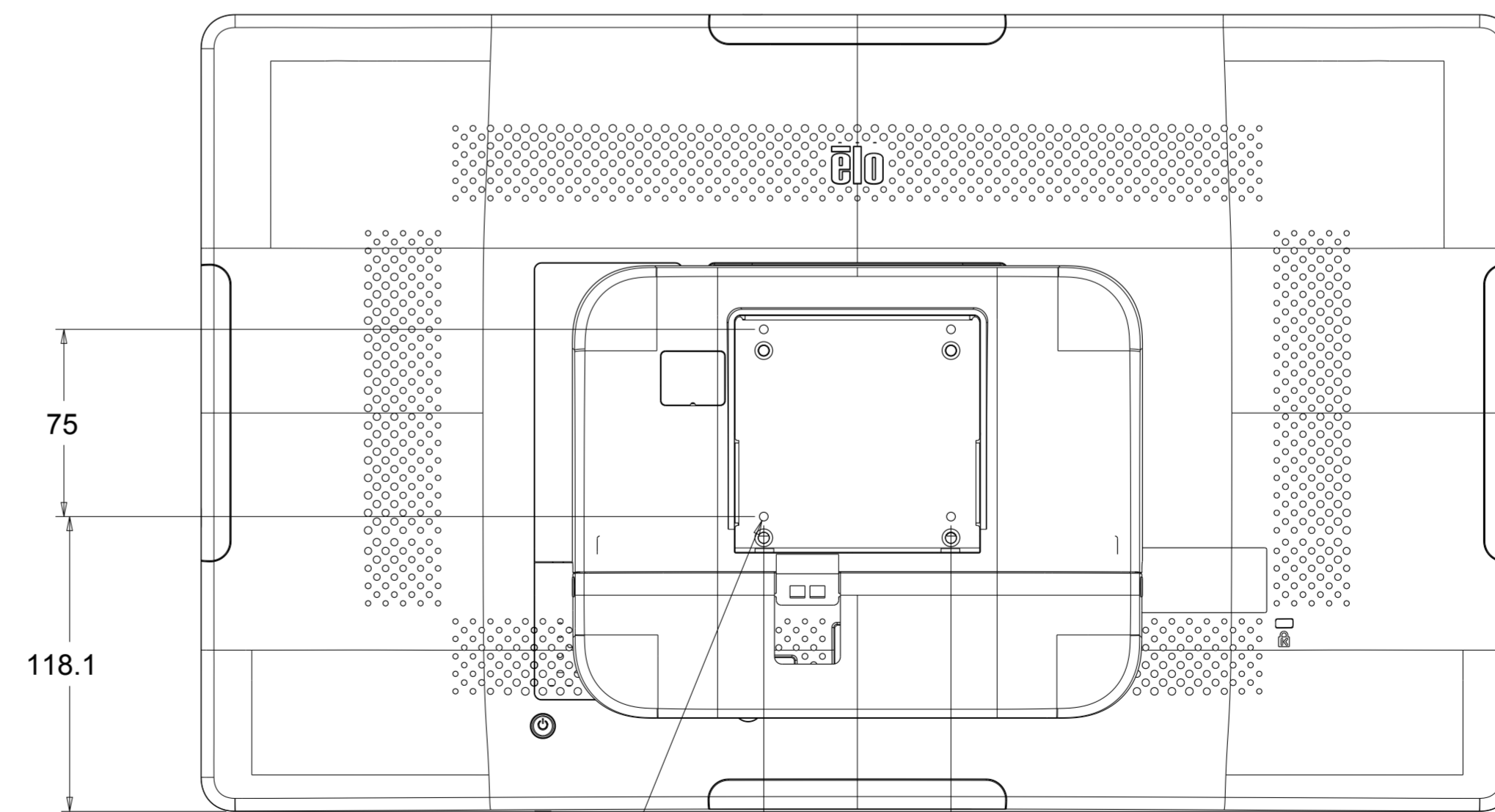


M4,  
MIN. SCREW DEPTH FROM MOUNT SURFACE = 14mm  
MAX. SCREW LENGTH = 10mm,  
X8  
SEE PG.2 FOR I/O DEFINITION



SEE PG. 2 FOR HUB DIMENSIONS  
AND I/O DEFINITION

22" WITH HUB ATTACHED TO BACK



M4,  
MAX. SCREW DEPTH FROM  
MOUNT SURFACE = 6mm  
X4