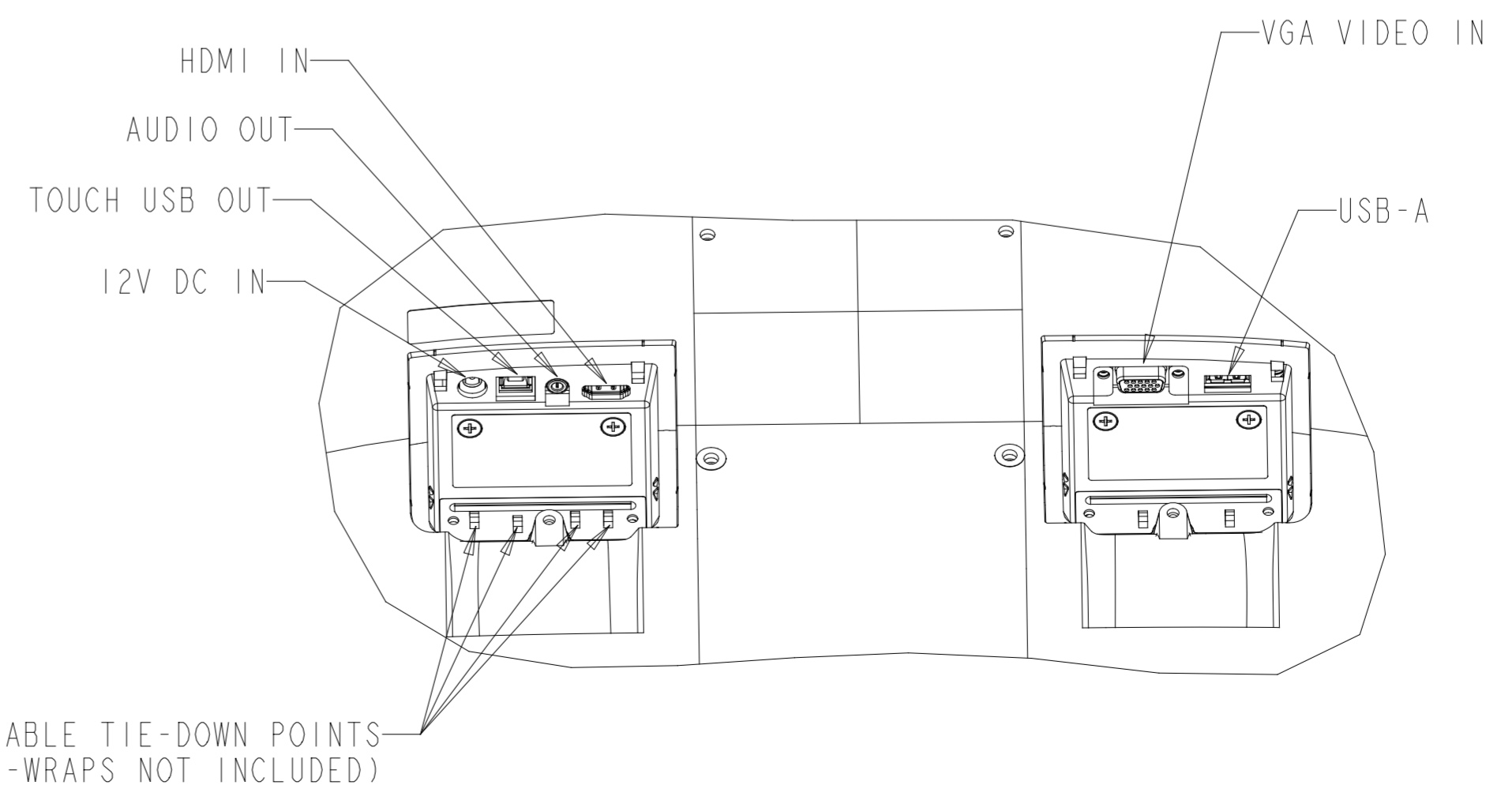
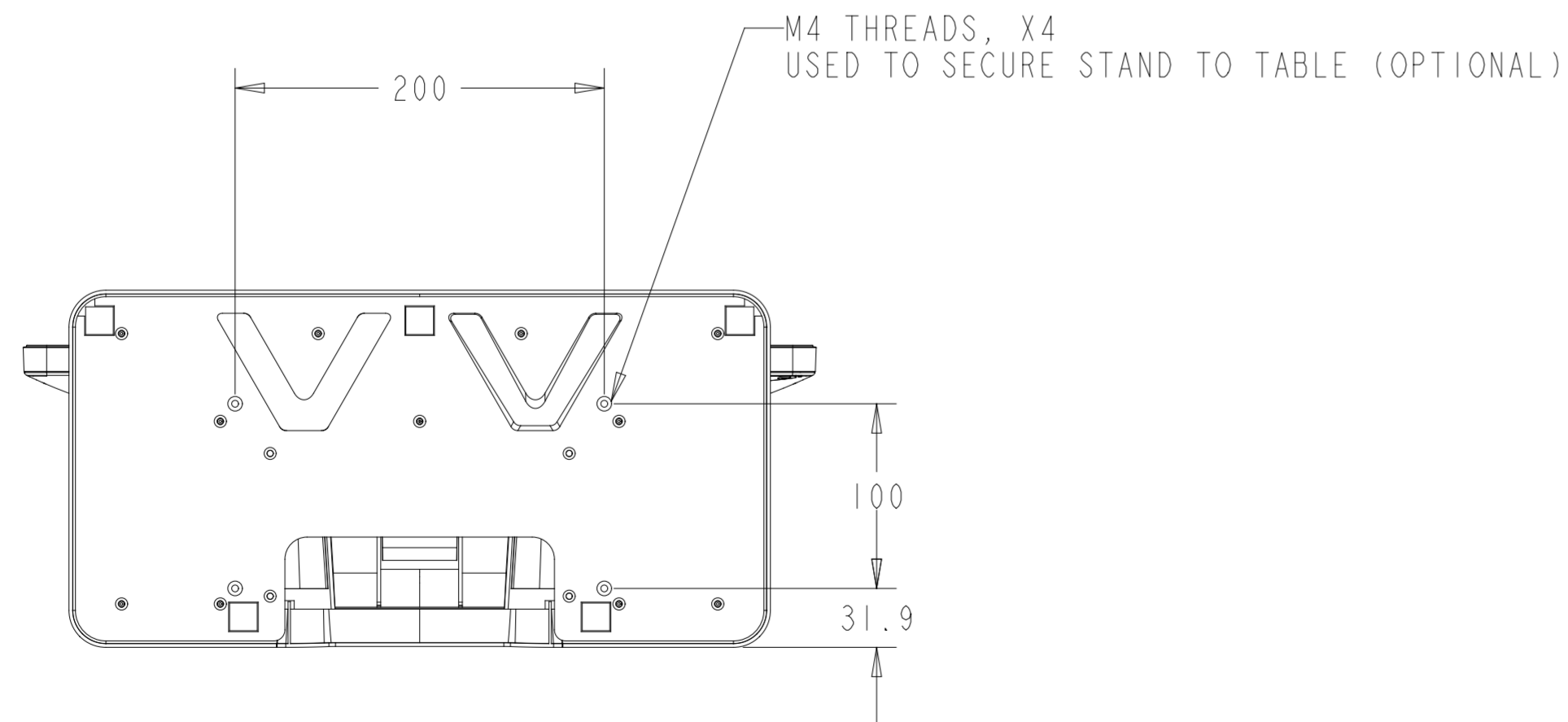
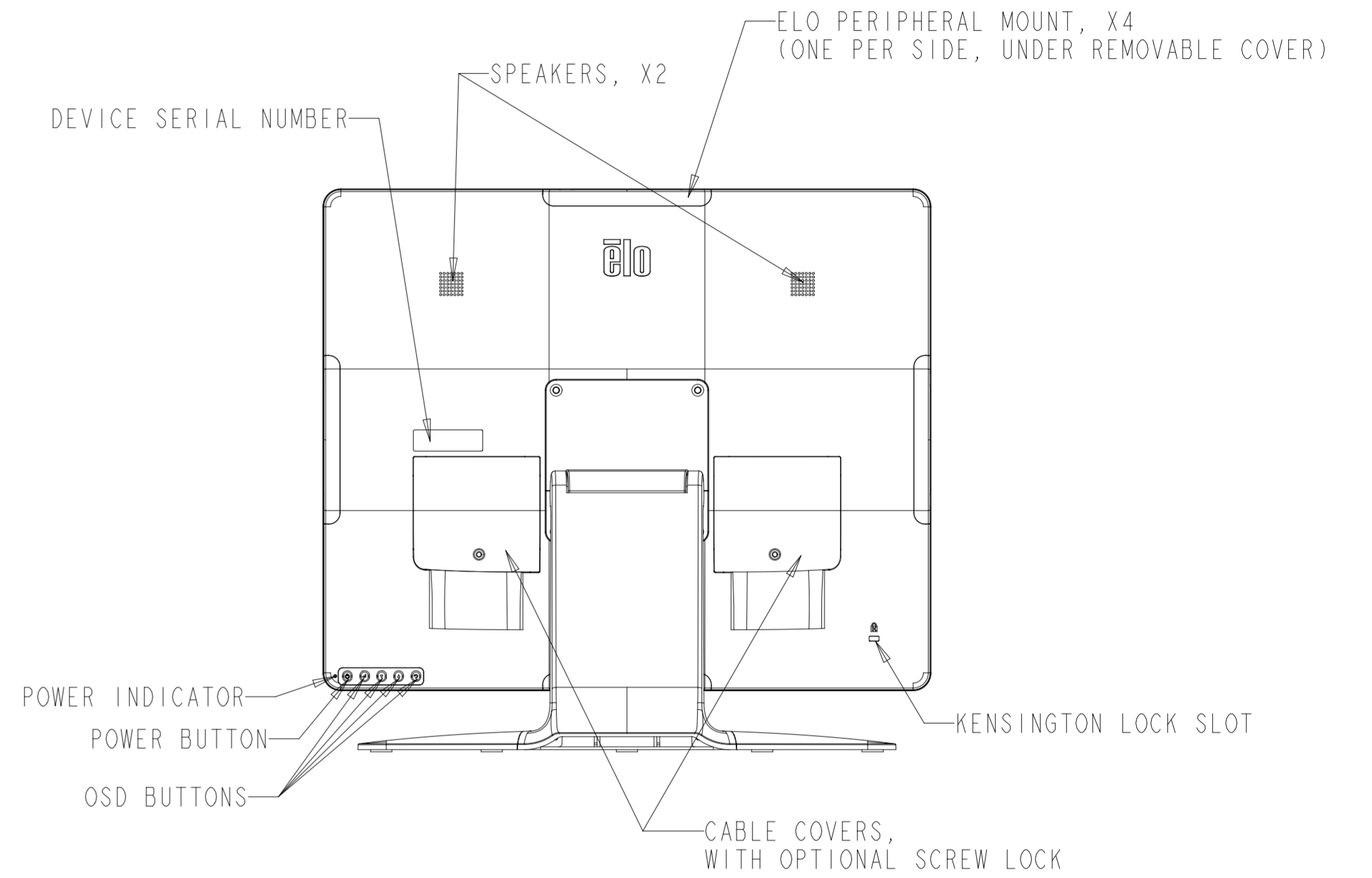
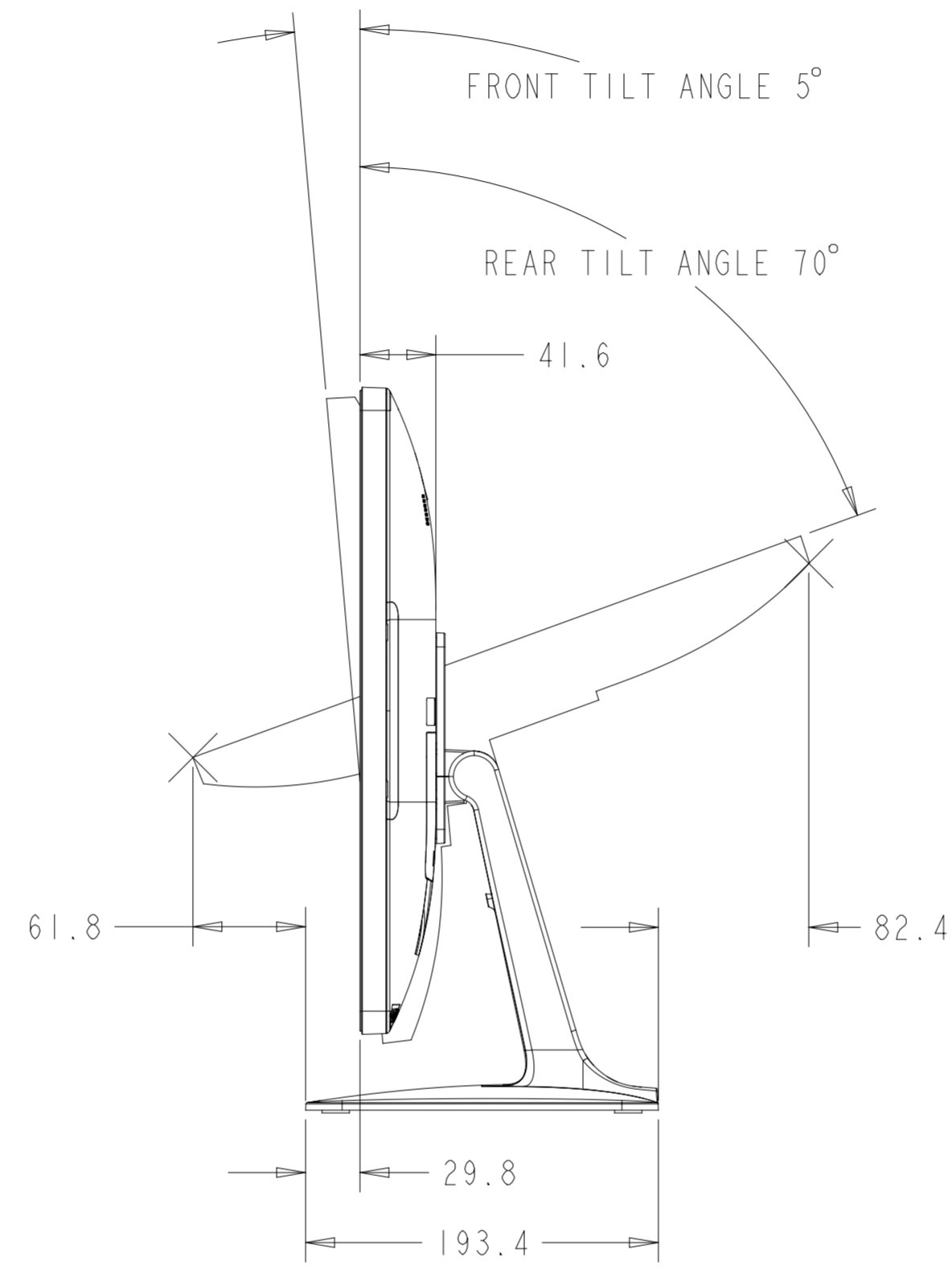
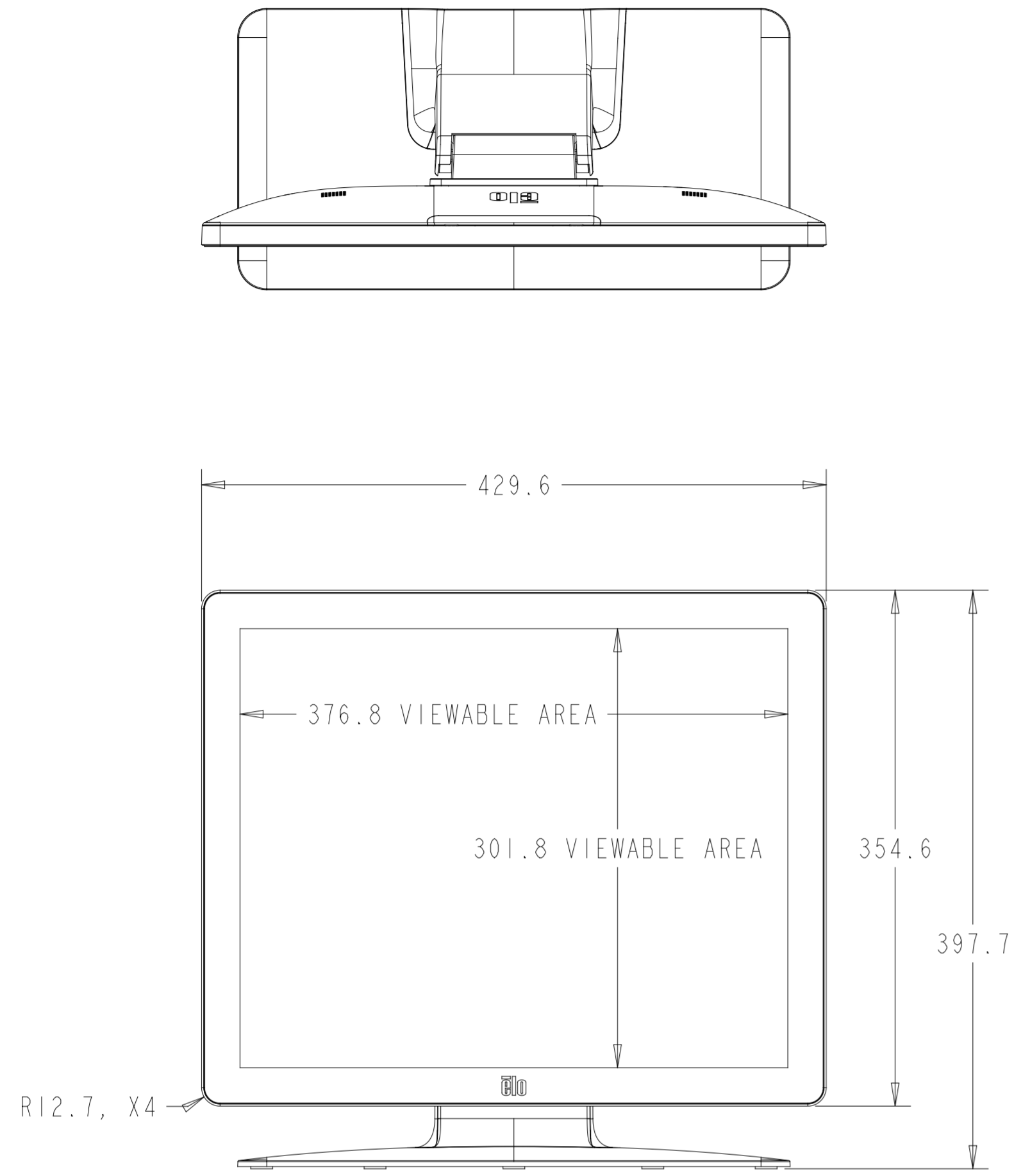


SHOWN WITH OPTIONAL STAND  
 STAND ALSO SOLD SEPARATELY: P/N E804330 (BLACK), P/N E808963 (WHITE)

DIMENSIONAL DRAWING: 1902/1903



DIMENSIONS ARE IN MILLIMETERS

SHEET 1 OF 4

**elo**

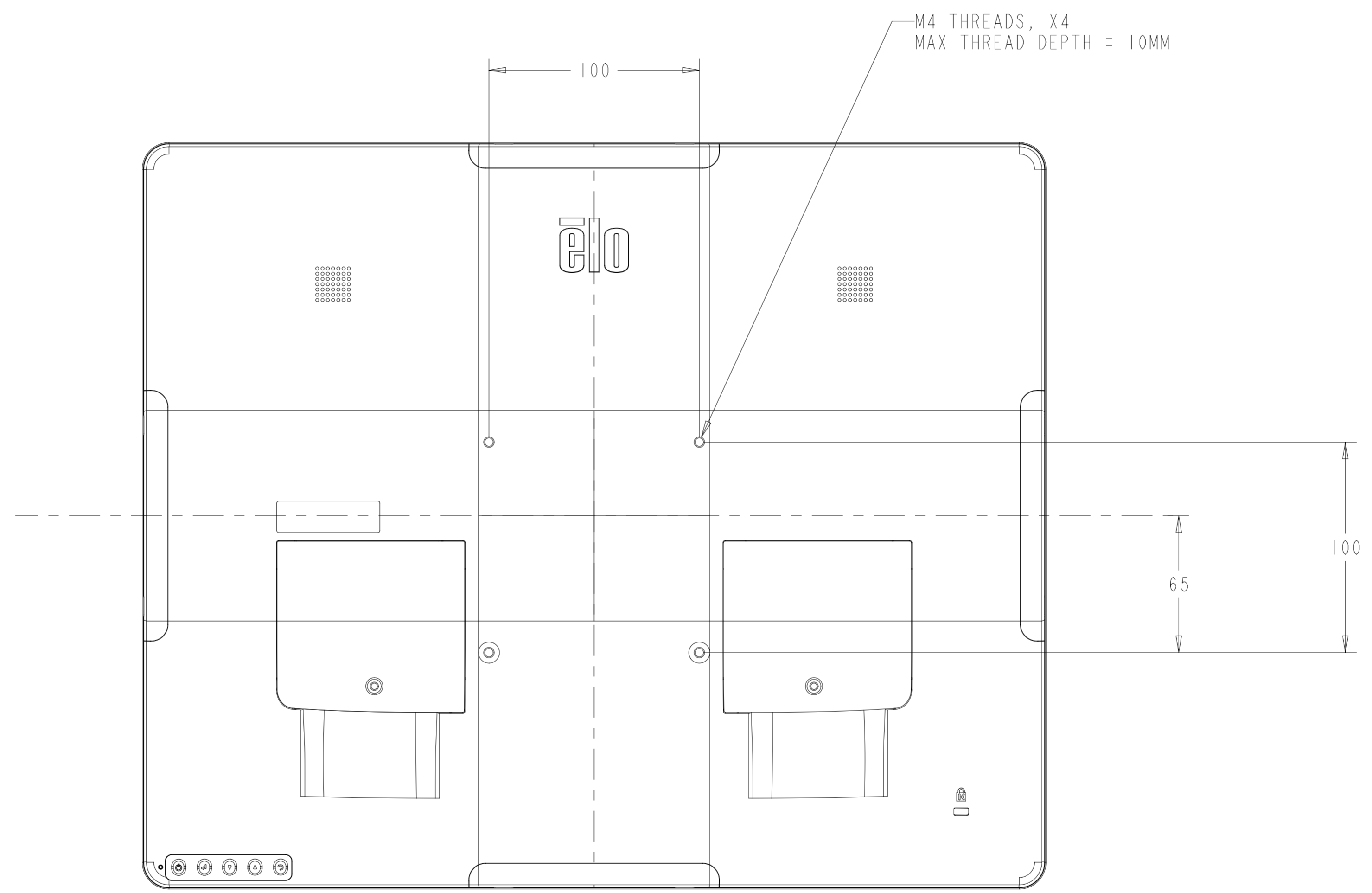
MS601973

DATE: 01/15/2021

REV: D

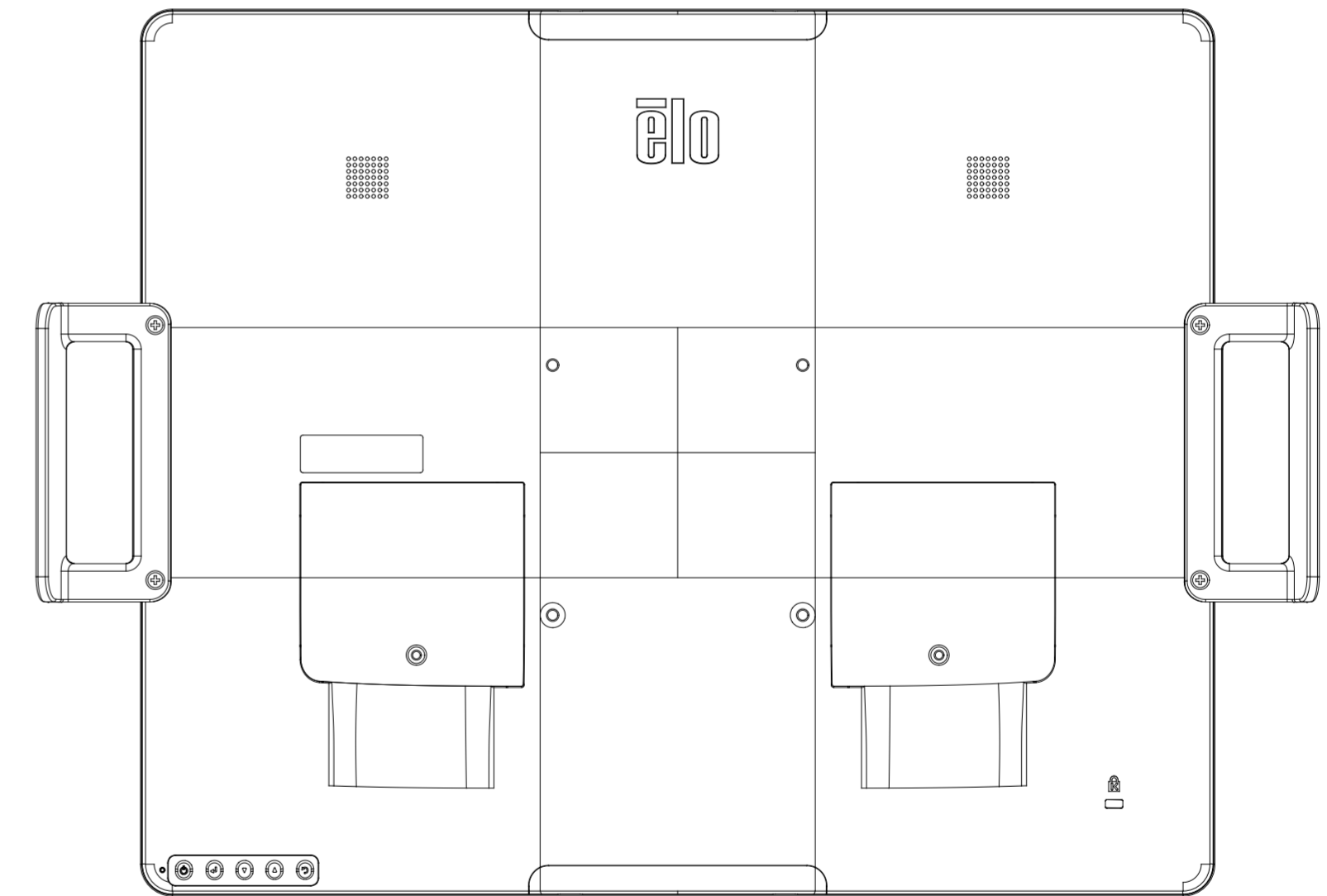
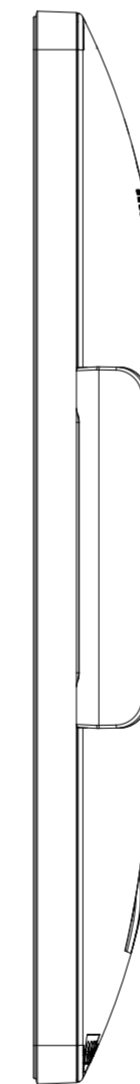
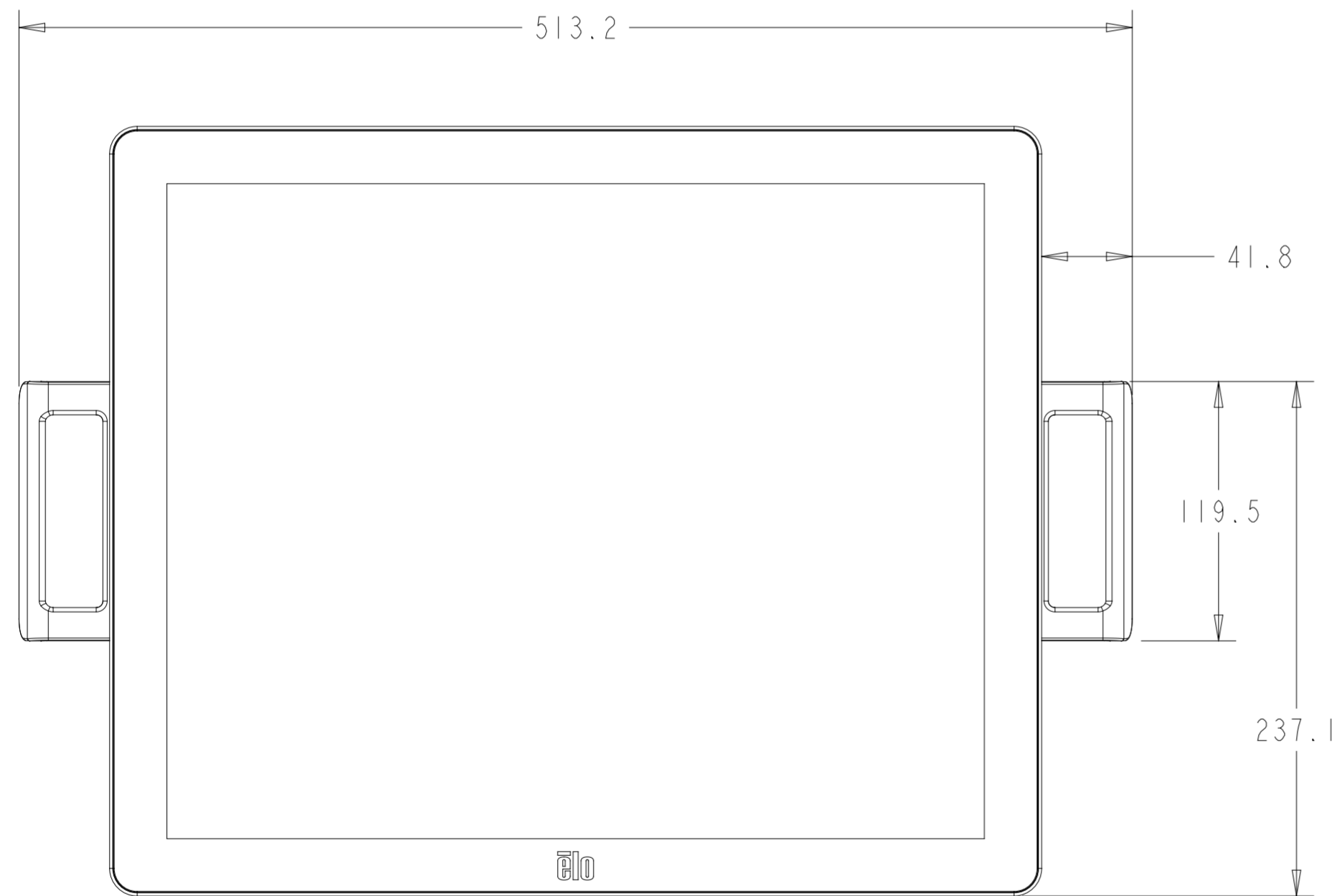
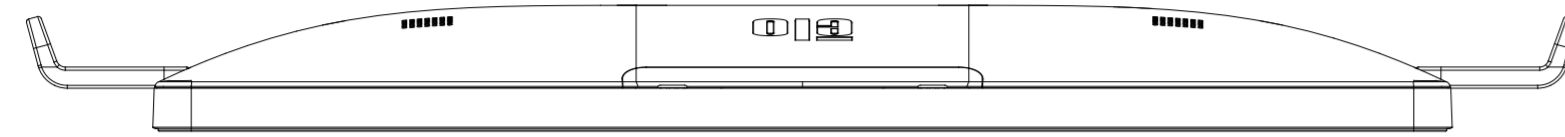
VESA MOUNTING  
VESA MIS-D, 100, C

REMOVE STAND TO ACCESS VESA MOUNTING INTERFACE

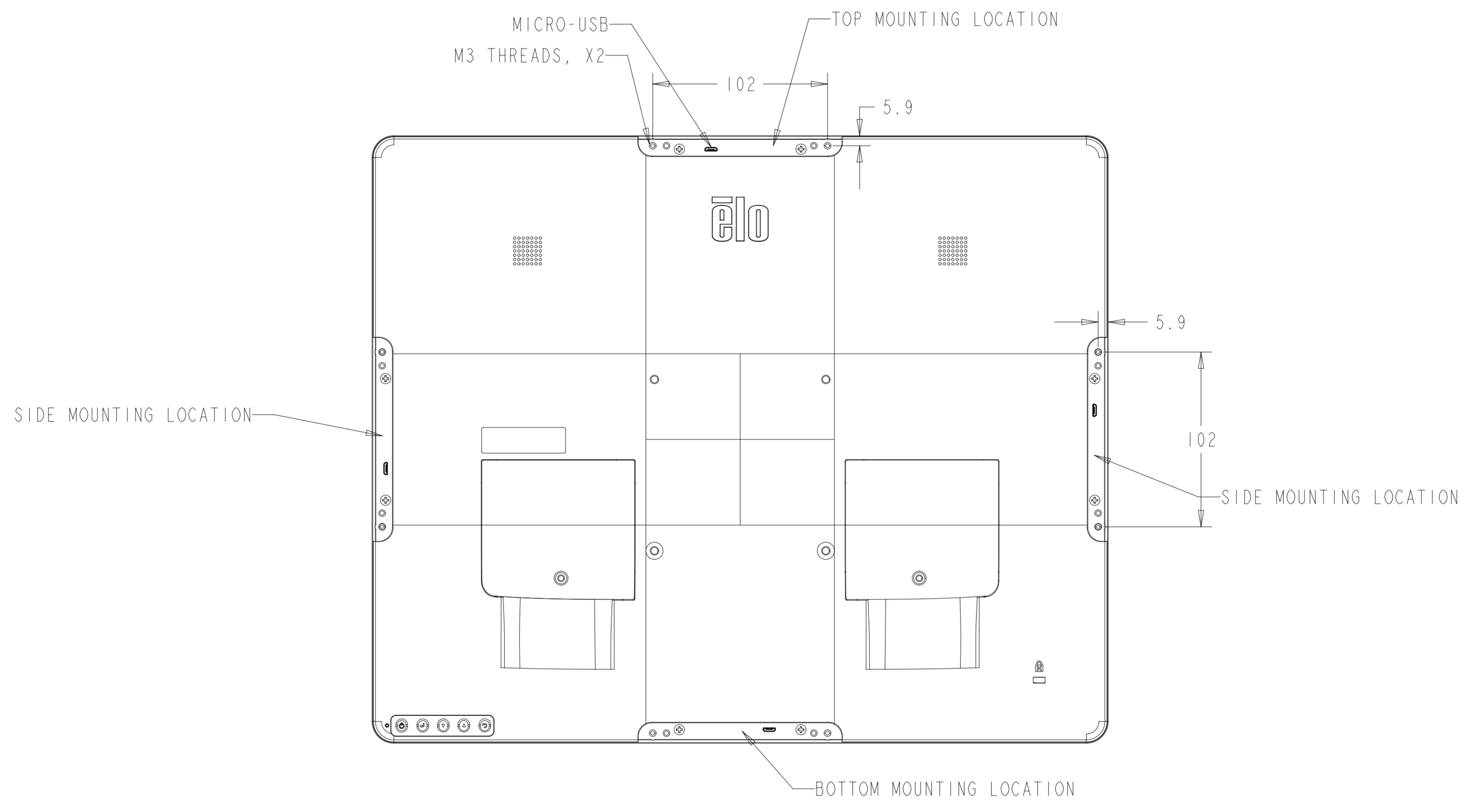
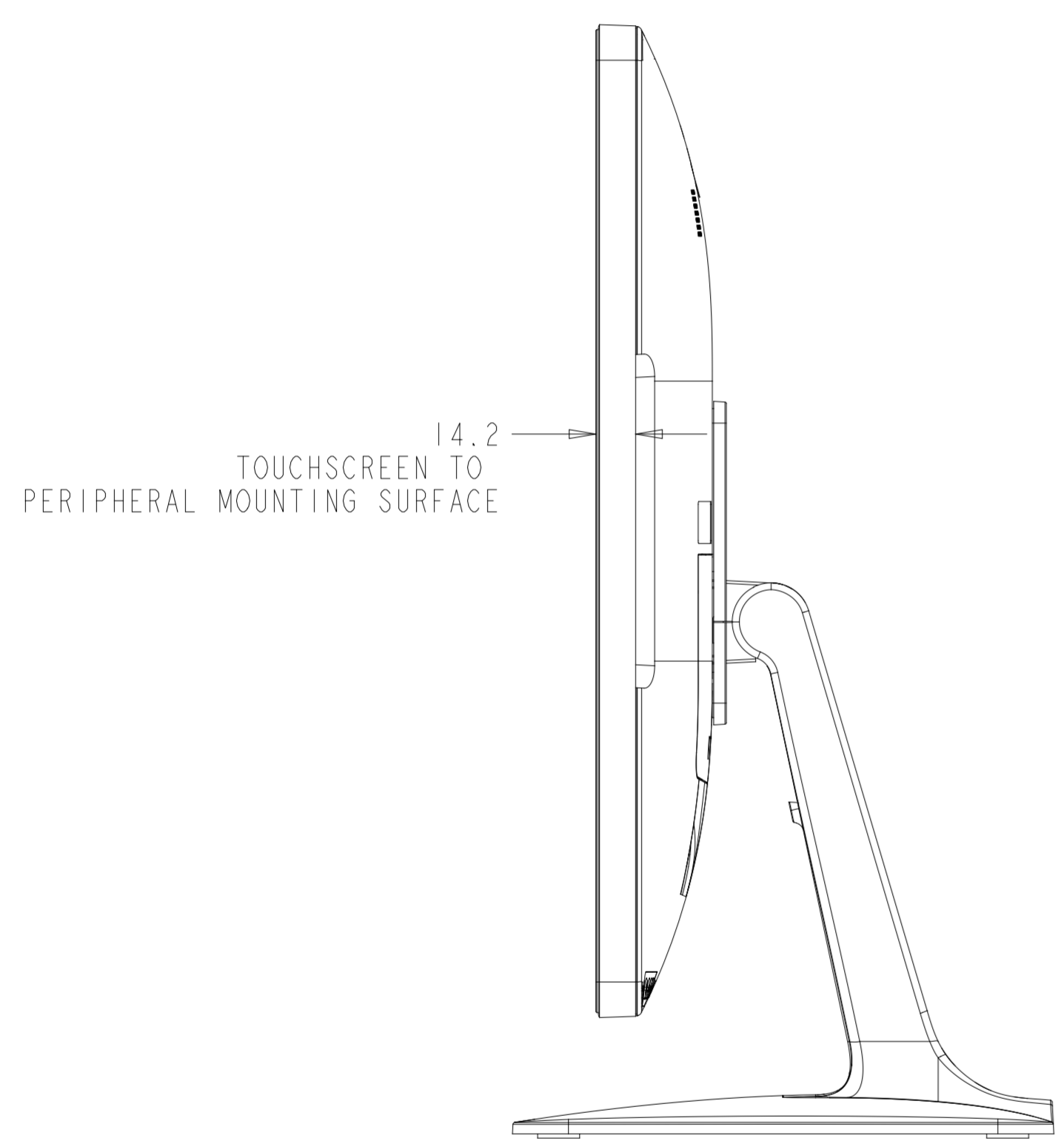


HANDLE KIT P/N E352196  
ORDERED SEPARATELY, CUSTOMER ASSEMBLED  
2 HANDLES WITH MOUNTING SCREWS INCLUDED IN KIT  
HANDLES CAN BE ASSEMBLED ON ANY OF THE FOUR SIDES

HANDLES ARE INTENDED TO ADJUST TILT OF DISPLAY.  
DO NOT CARRY TOUCHMONITOR USING HANDLES.



ELO PERIPHERAL MOUNTING INTERFACE  
ONE MOUNTING LOCATION ON EACH SIDE (4 TOTAL)



STAND NOT SHOWN FOR CLARITY