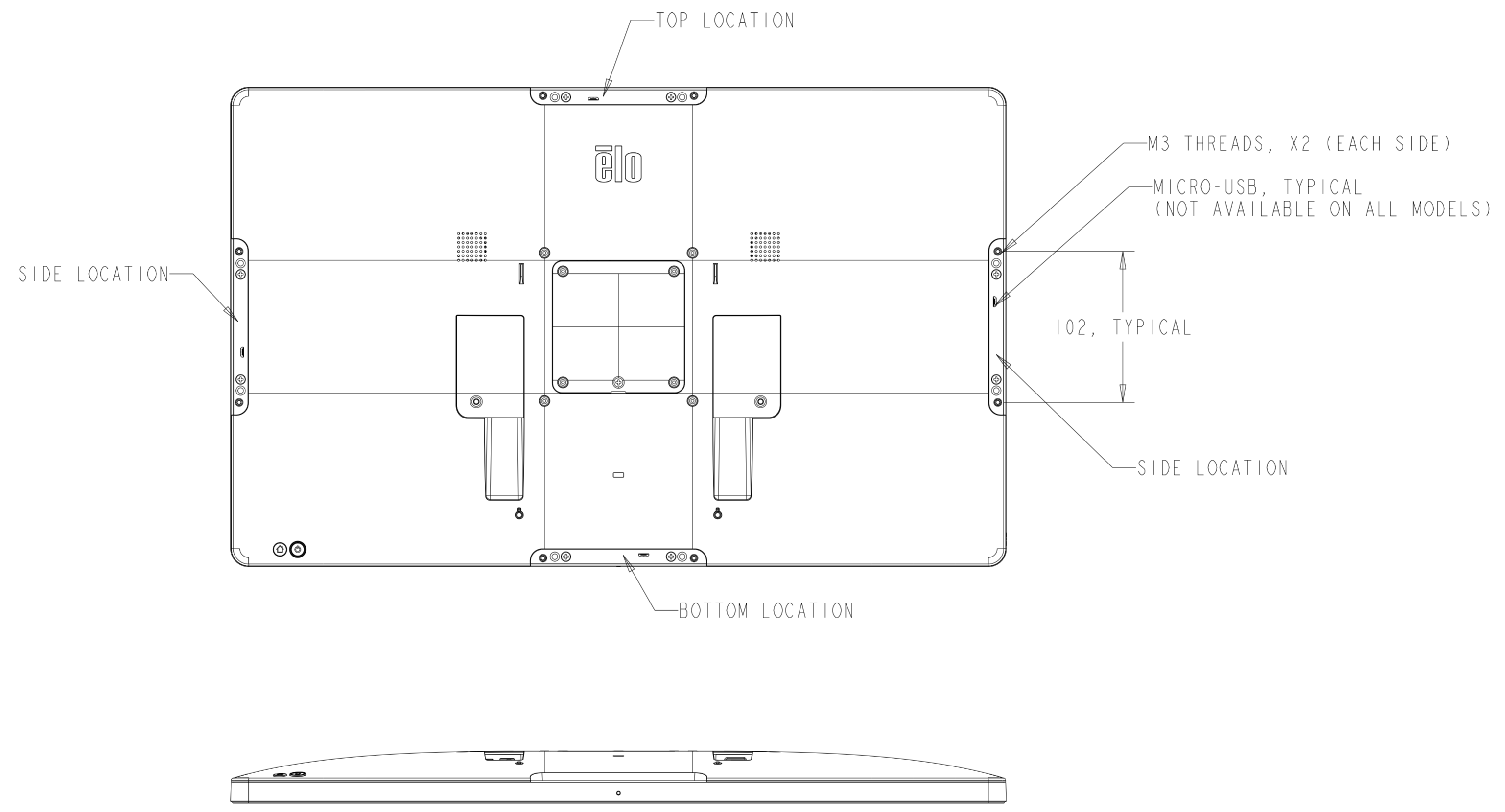
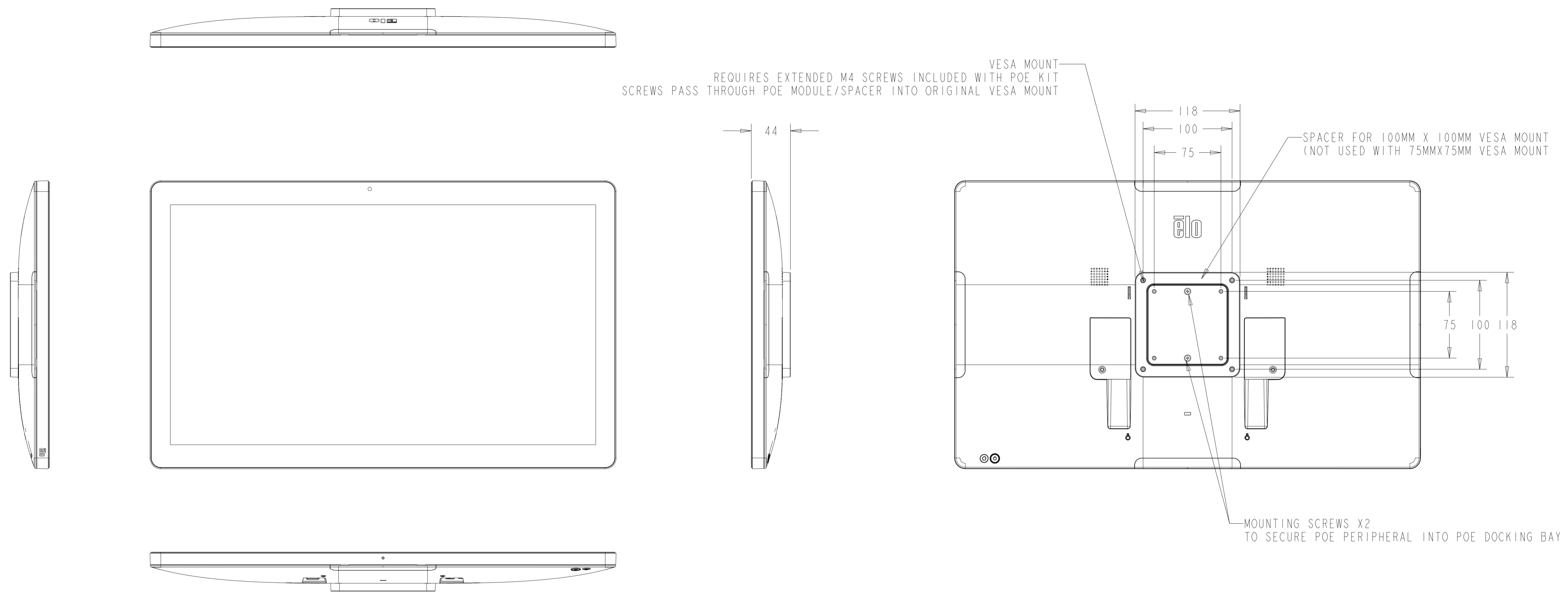


HOOK, X2 USED TO SECURE CABLES WITH TIE-WRAP. (TIE-WRAP NOT INCLUDED)

ELO PERIPHERAL MOUNTING INTERFACE (1 PER SIDE)  
(SEE WEBSITE FOR DIMENSIONAL DRAWINGS OF COMPATIBLE PERIPHERALS)

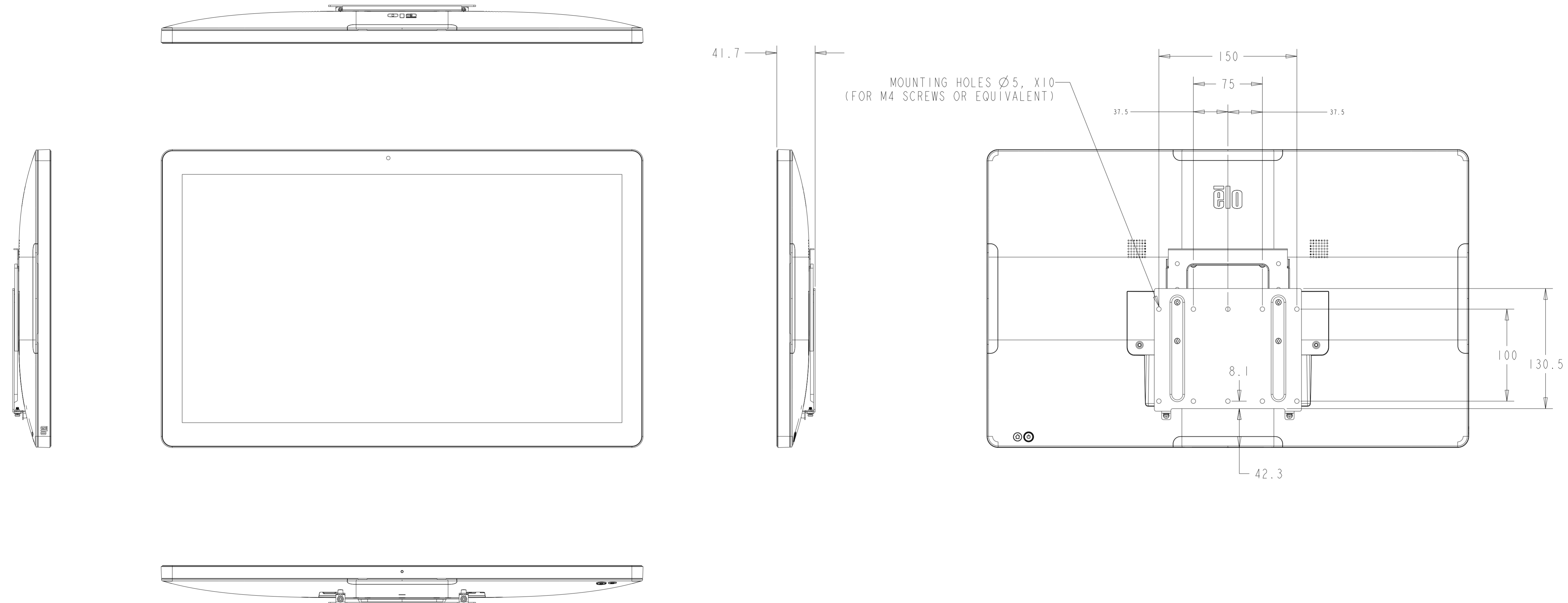


POWER OVER ETHERNET (POE) ADAPTER KIT P/N: E615169  
(OPTIONAL KIT, PURCHASED SEPARATELY)  
POE COVER REMOVED AND POE PERIPHERAL INSTALLED  
  
NOT COMPATIBLE WITH LOW-PROFILE WALLMOUNT (PAGE 4) P/N: E802400



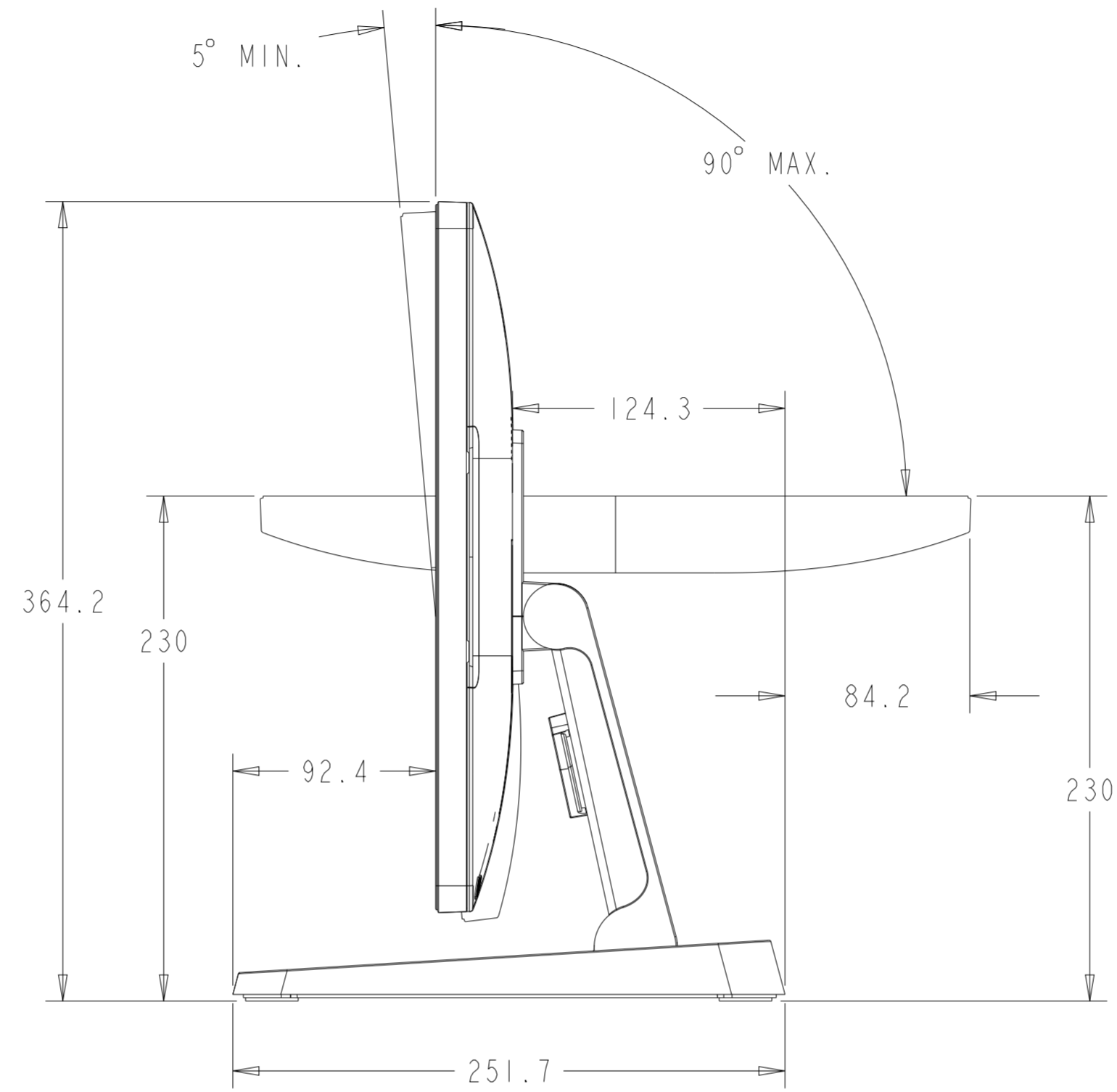
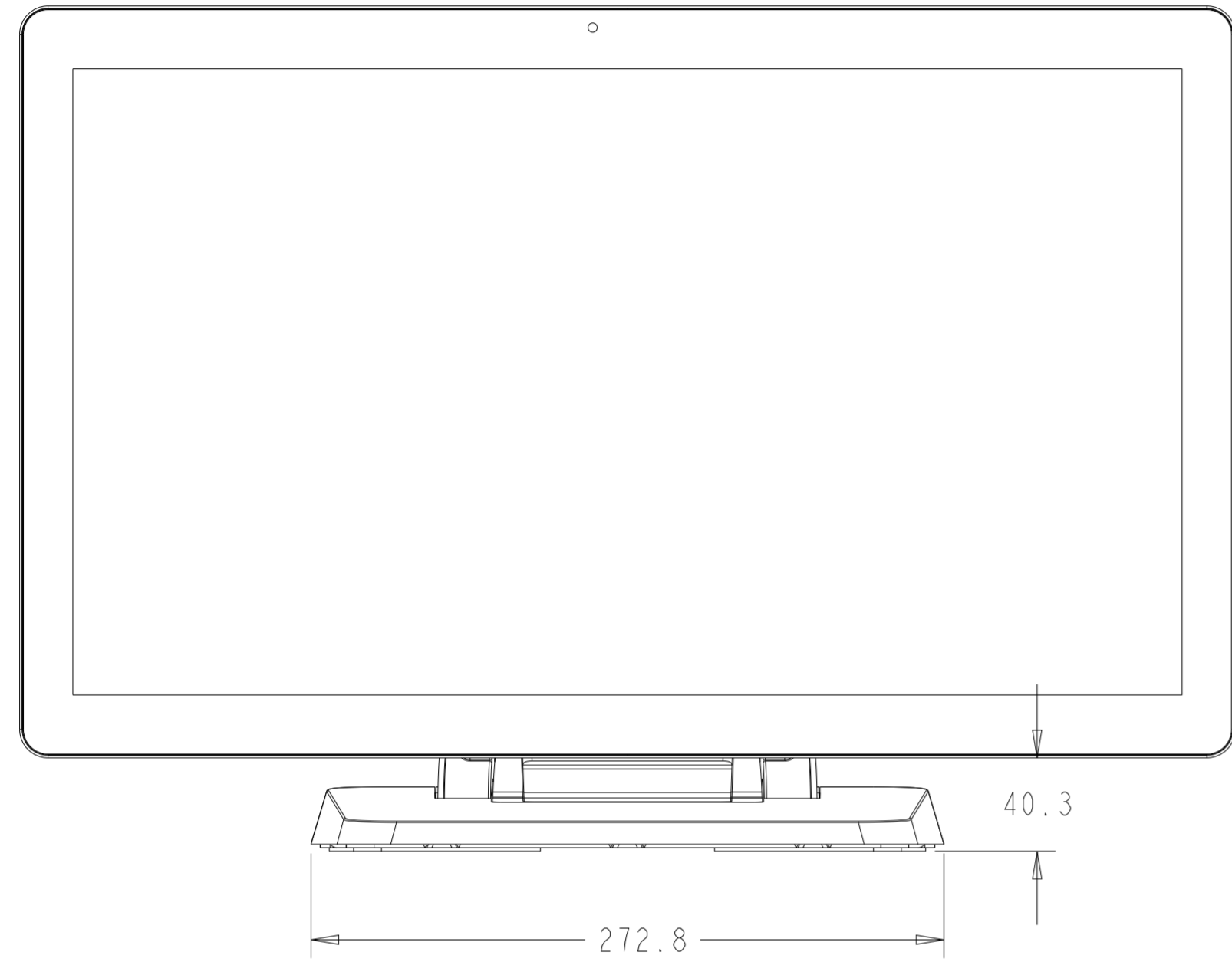
DIMENSIONAL DRAWING: 22in AA102

LOW-PROFILE WALLMOUNT KIT P/N: E802400  
(OPTIONAL KIT, PURCHASED SEPARATELY)  
NOT COMPATIBLE WITH POE ADAPTER KIT (PAGE 3) P/N: E615619

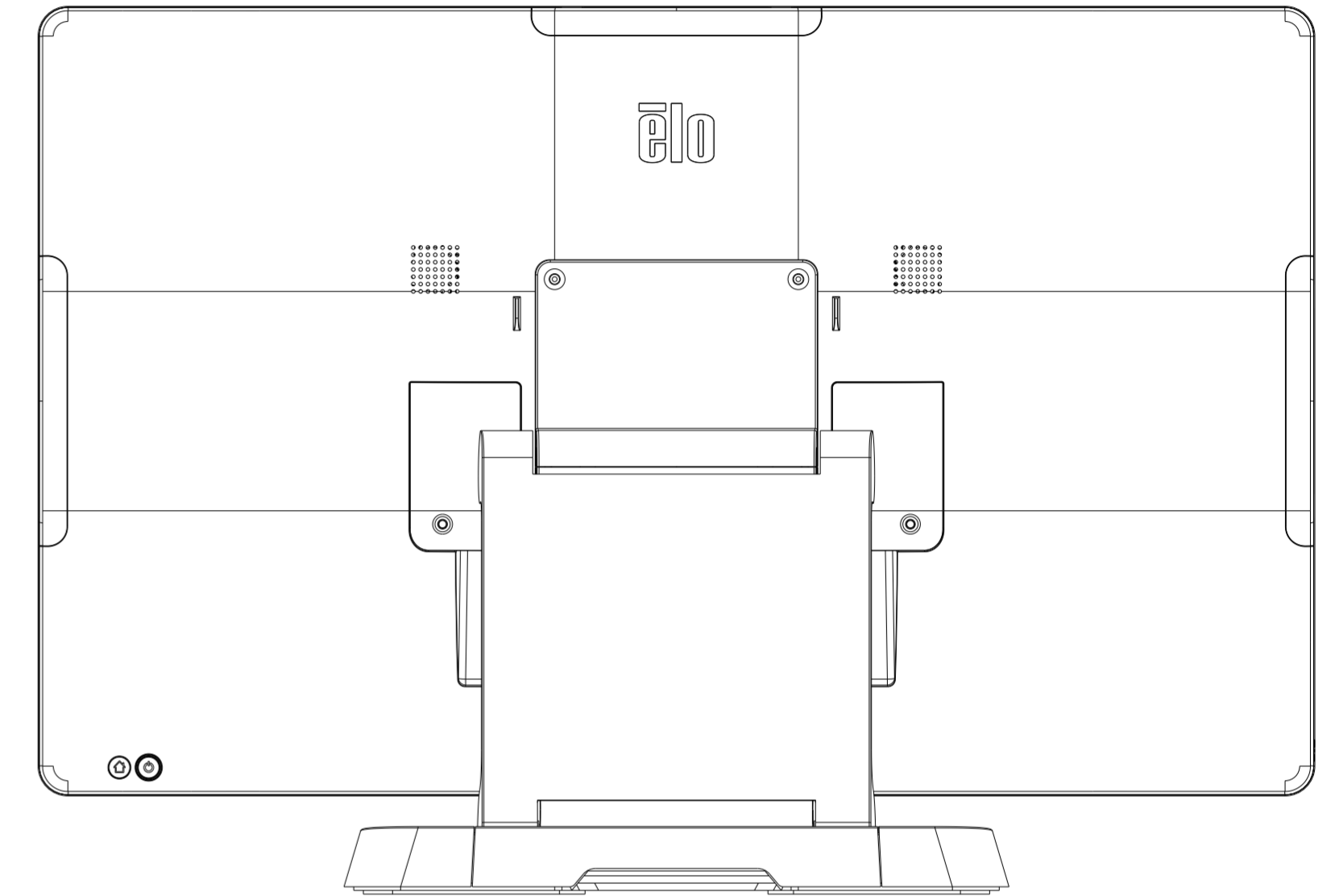


DIMENSIONAL DRAWING: 22in AA102

DESKTOP STAND KIT P/N: E044356  
(OPTIONAL KIT, PURCHASED SEPARATELY)

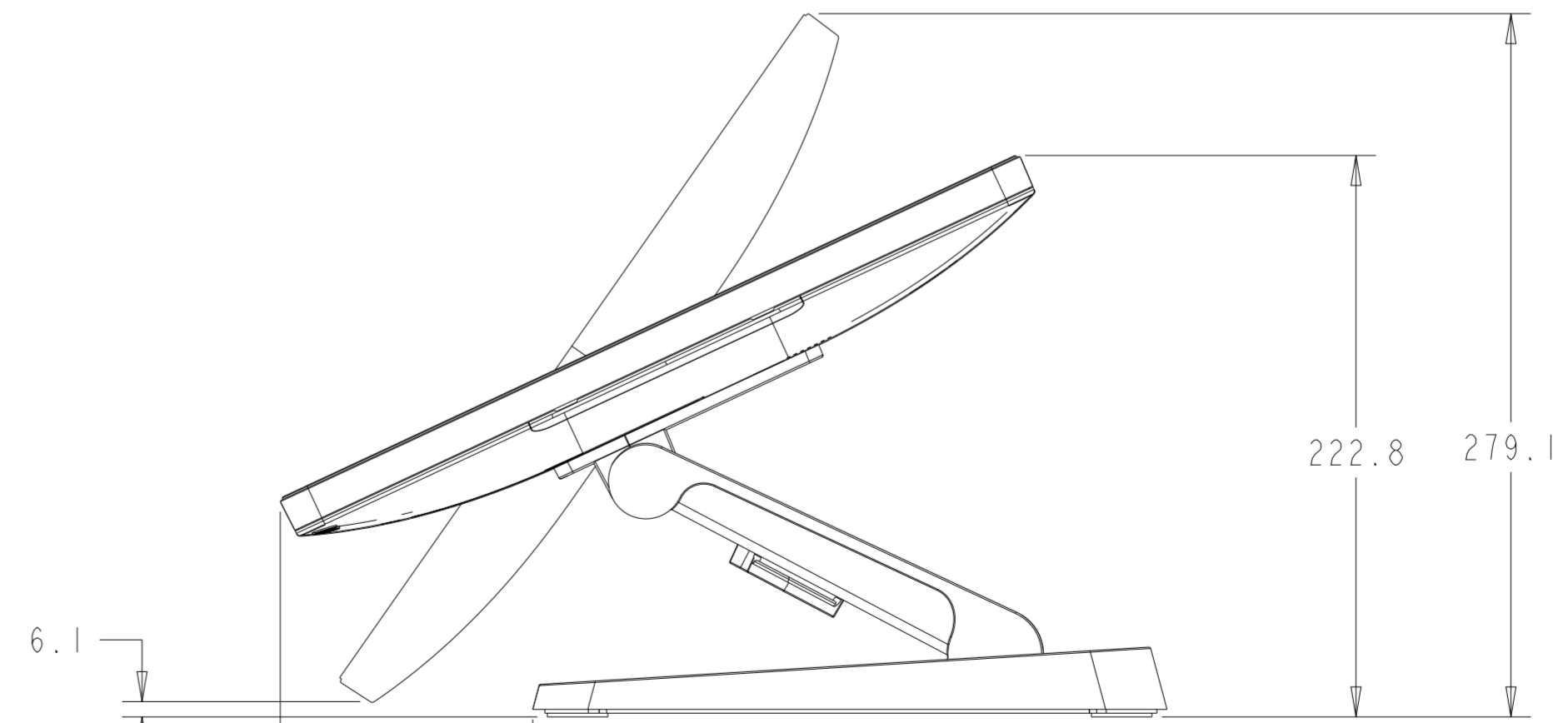
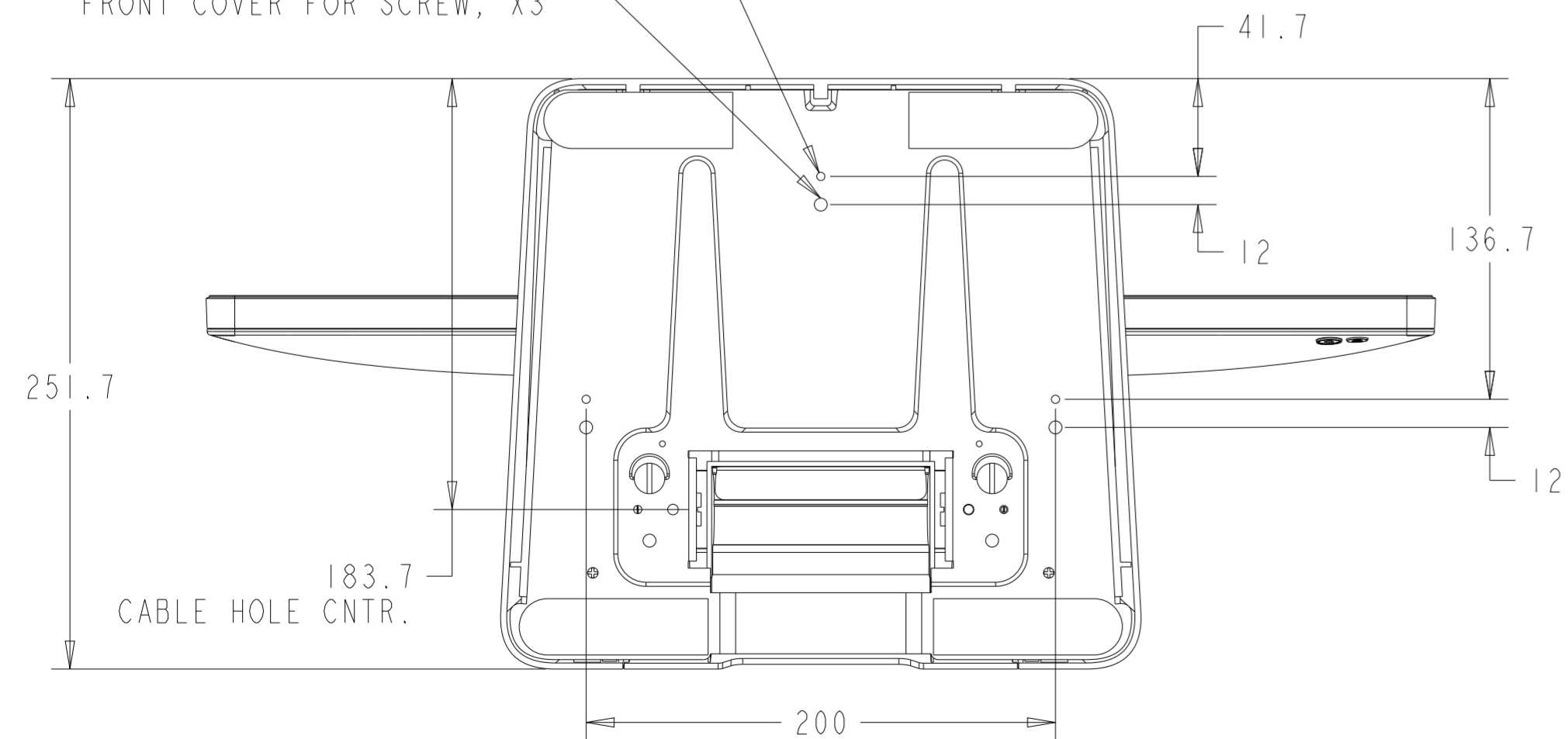


DISPLAY ANGLE RANGE  
IN HIGH POSITION



M4 THREAD, MAX SCREW LENGTH  
7MM FROM MOUNTING SURFACE, X3

5.5 THRU HOLE UNDER  
FRONT COVER FOR SCREW, X3



DISPLAY ANGLE RANGE  
IN LOW POSITION