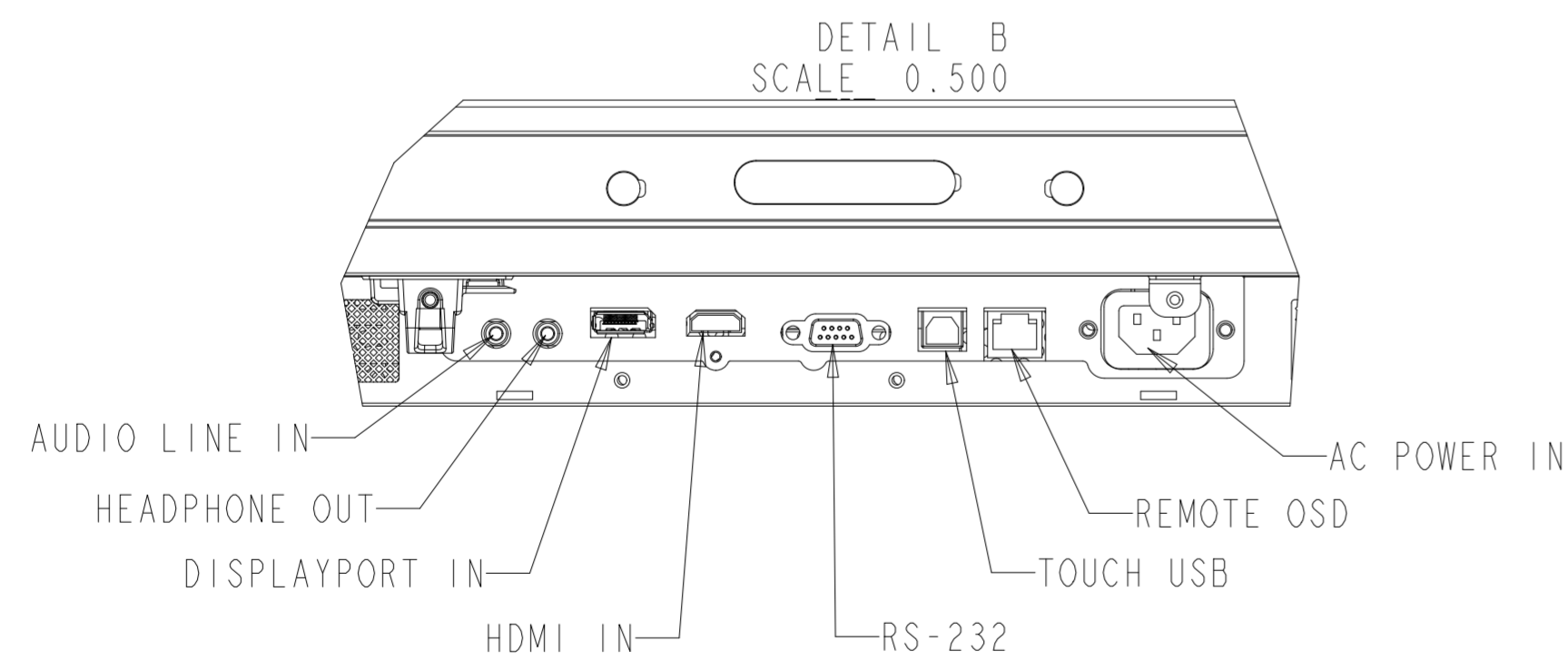
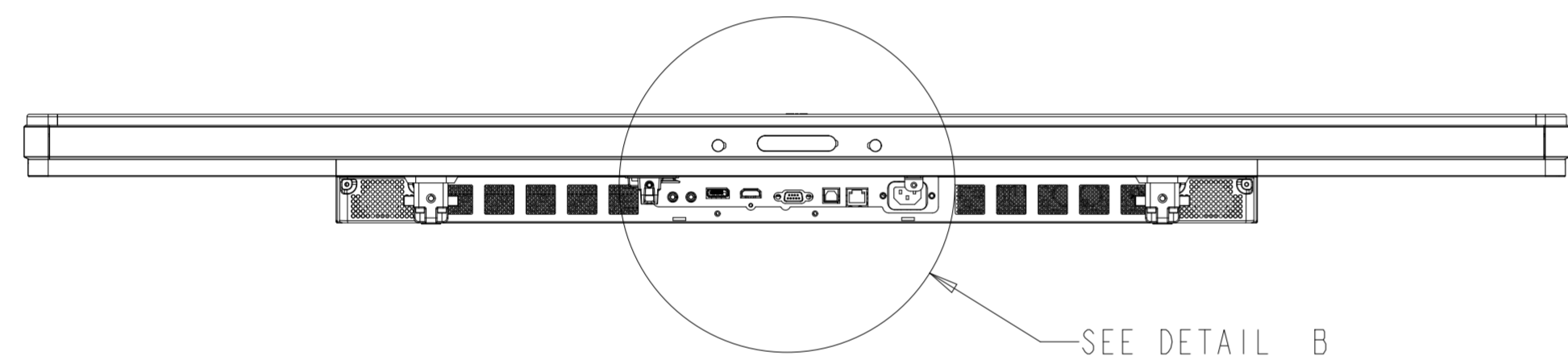
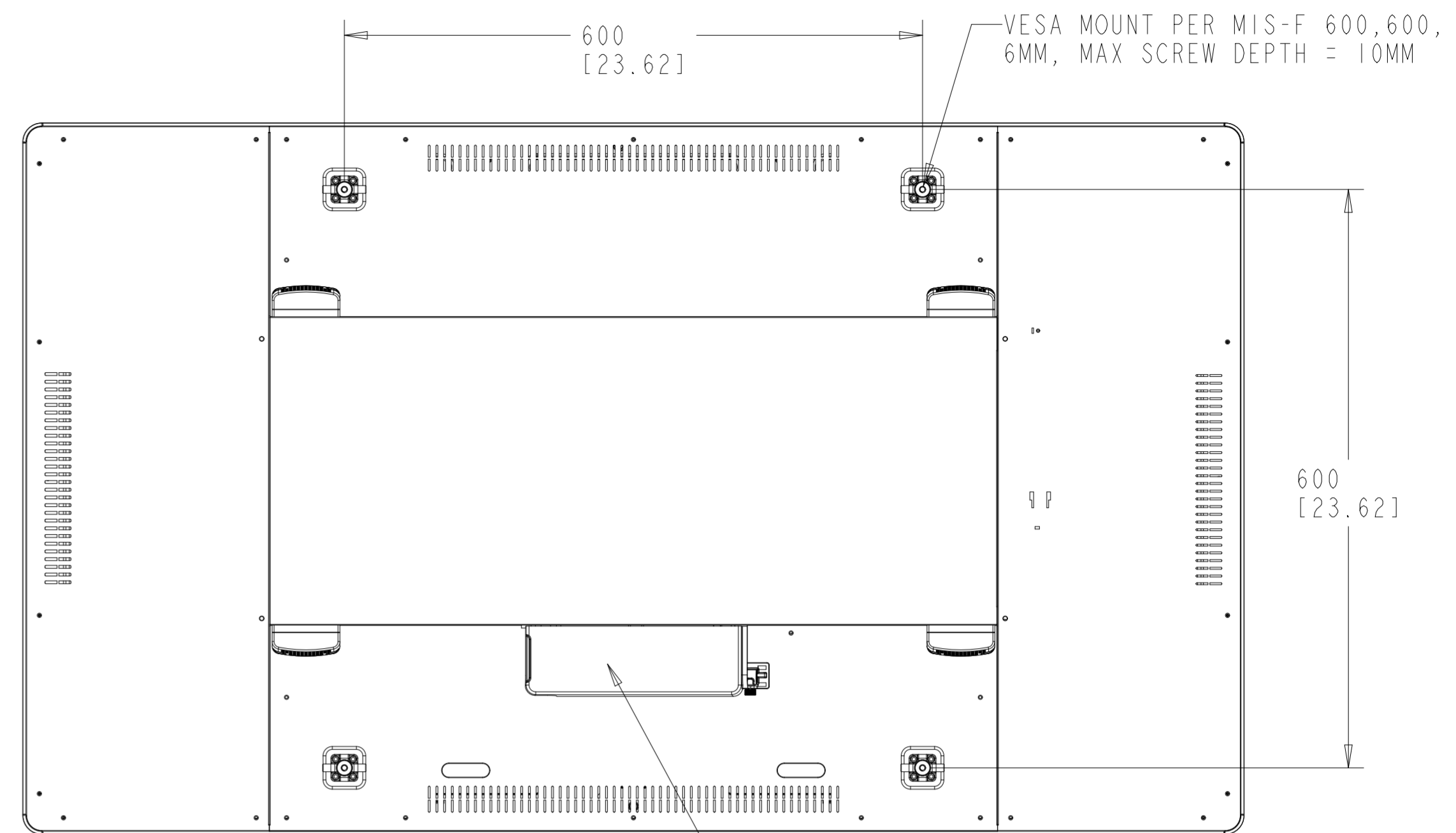
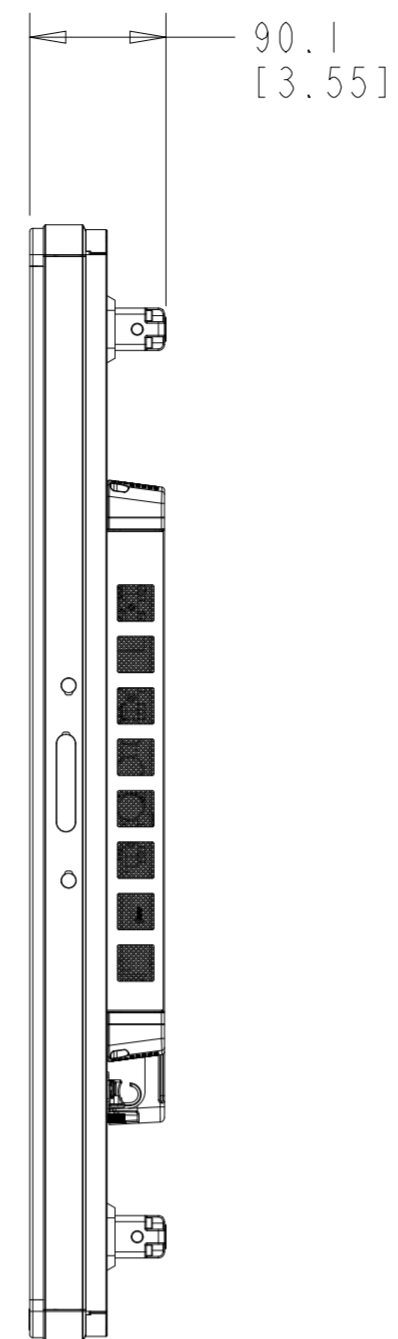
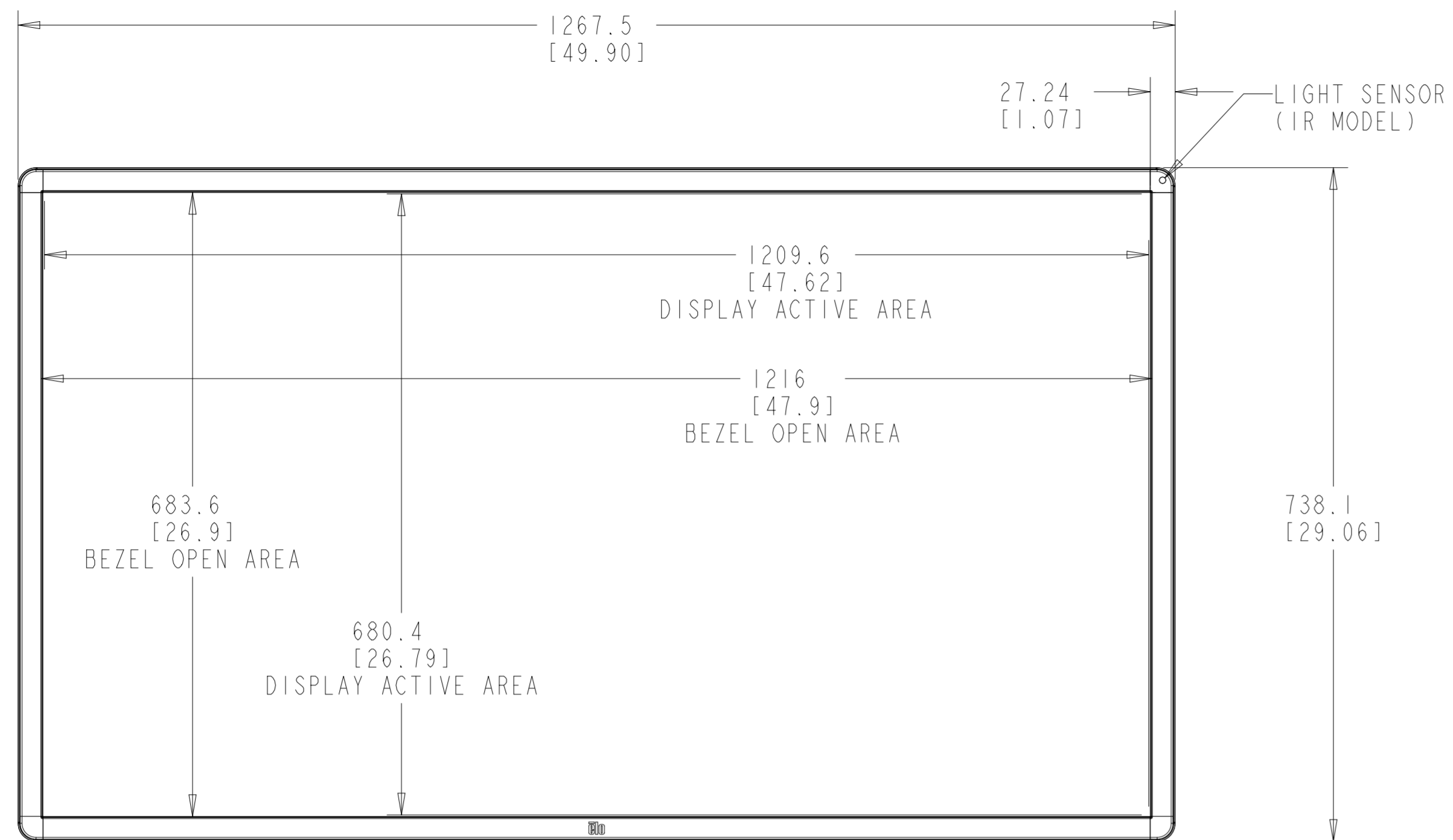
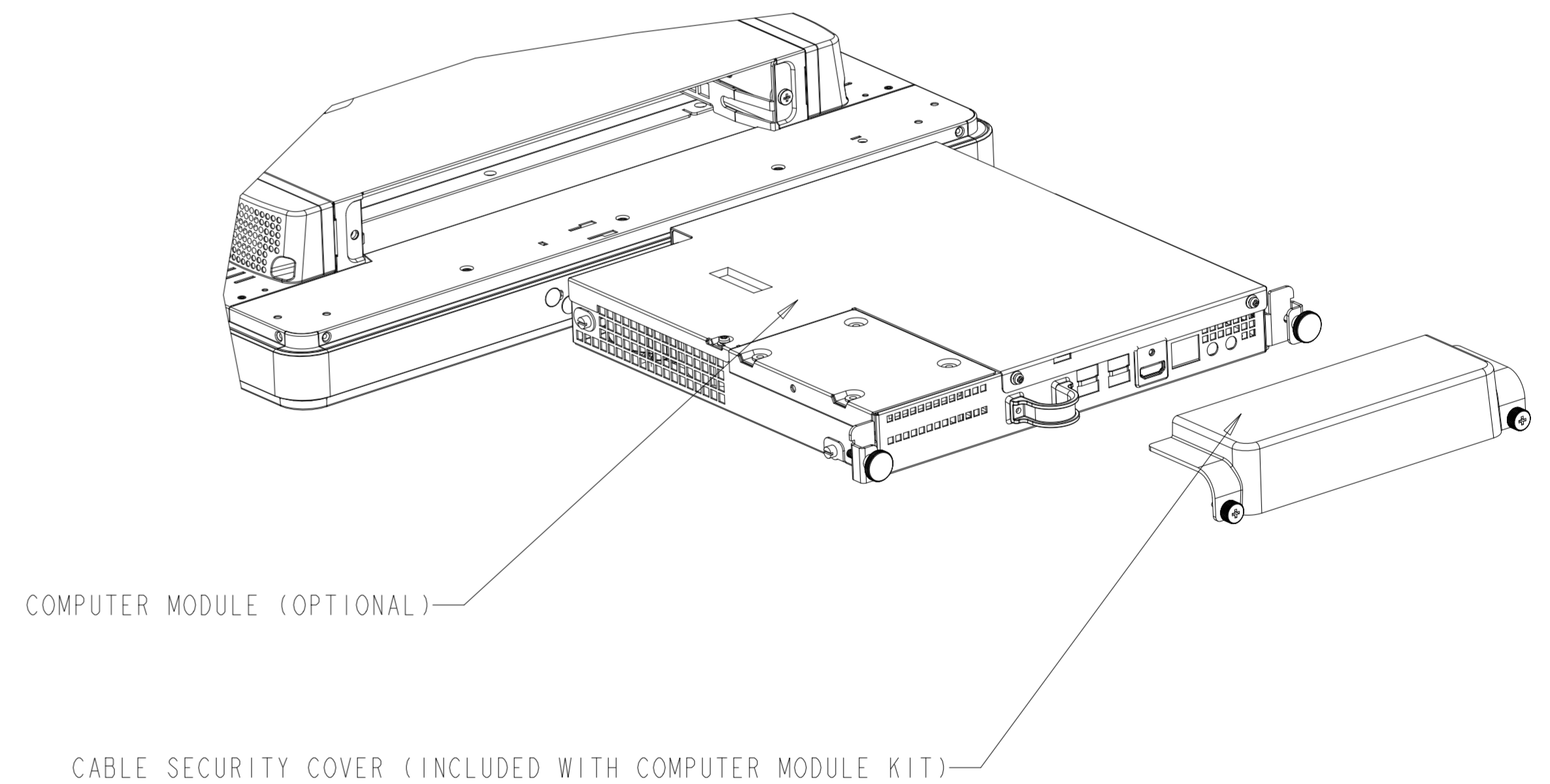
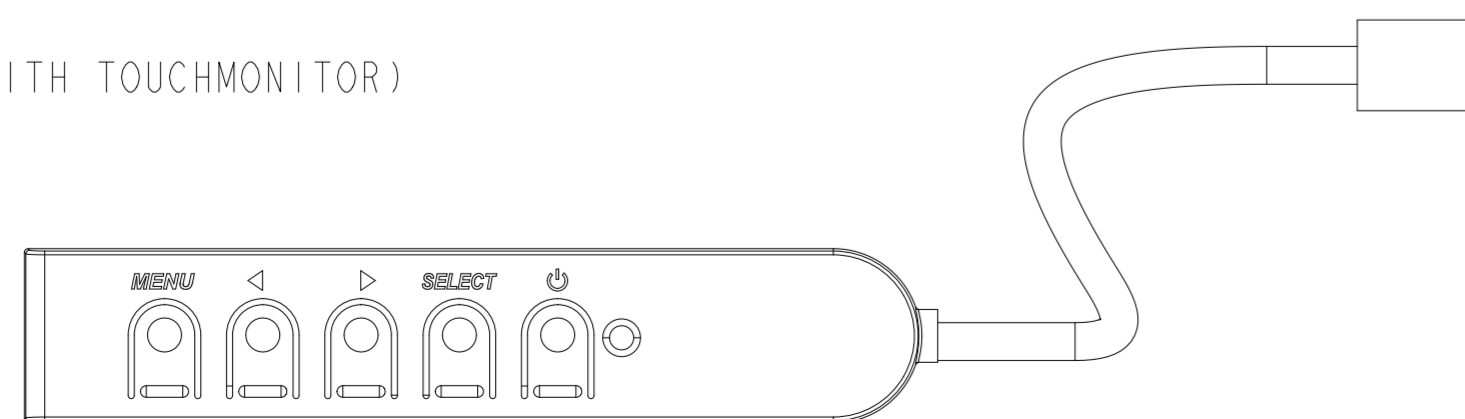


DIMENSIONAL DRAWING: ET5551L



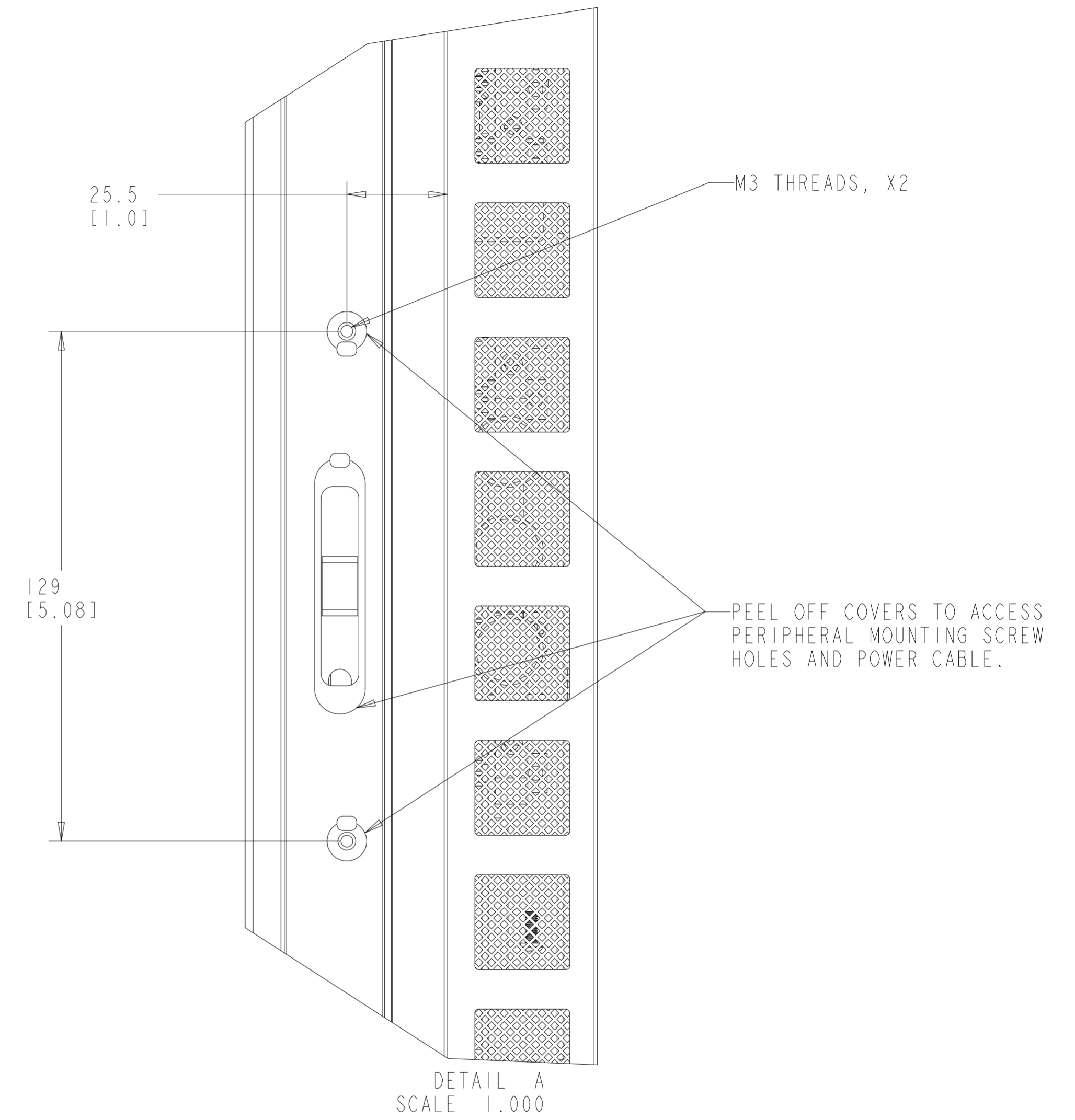
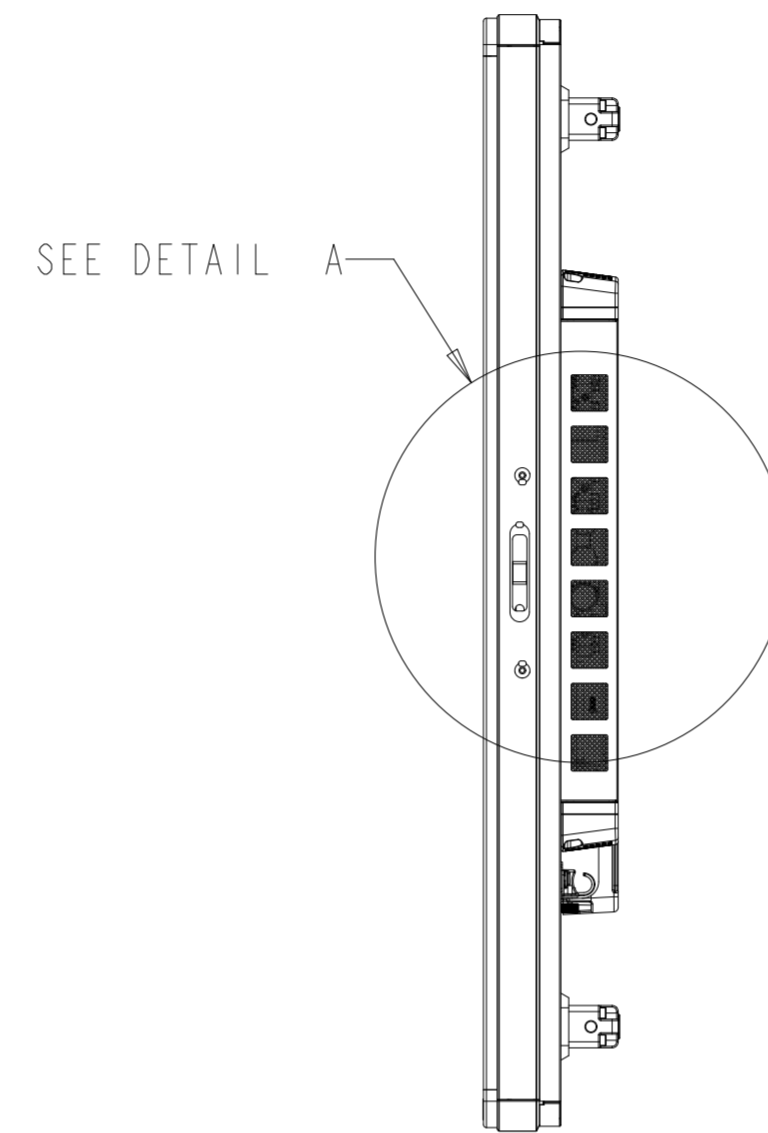
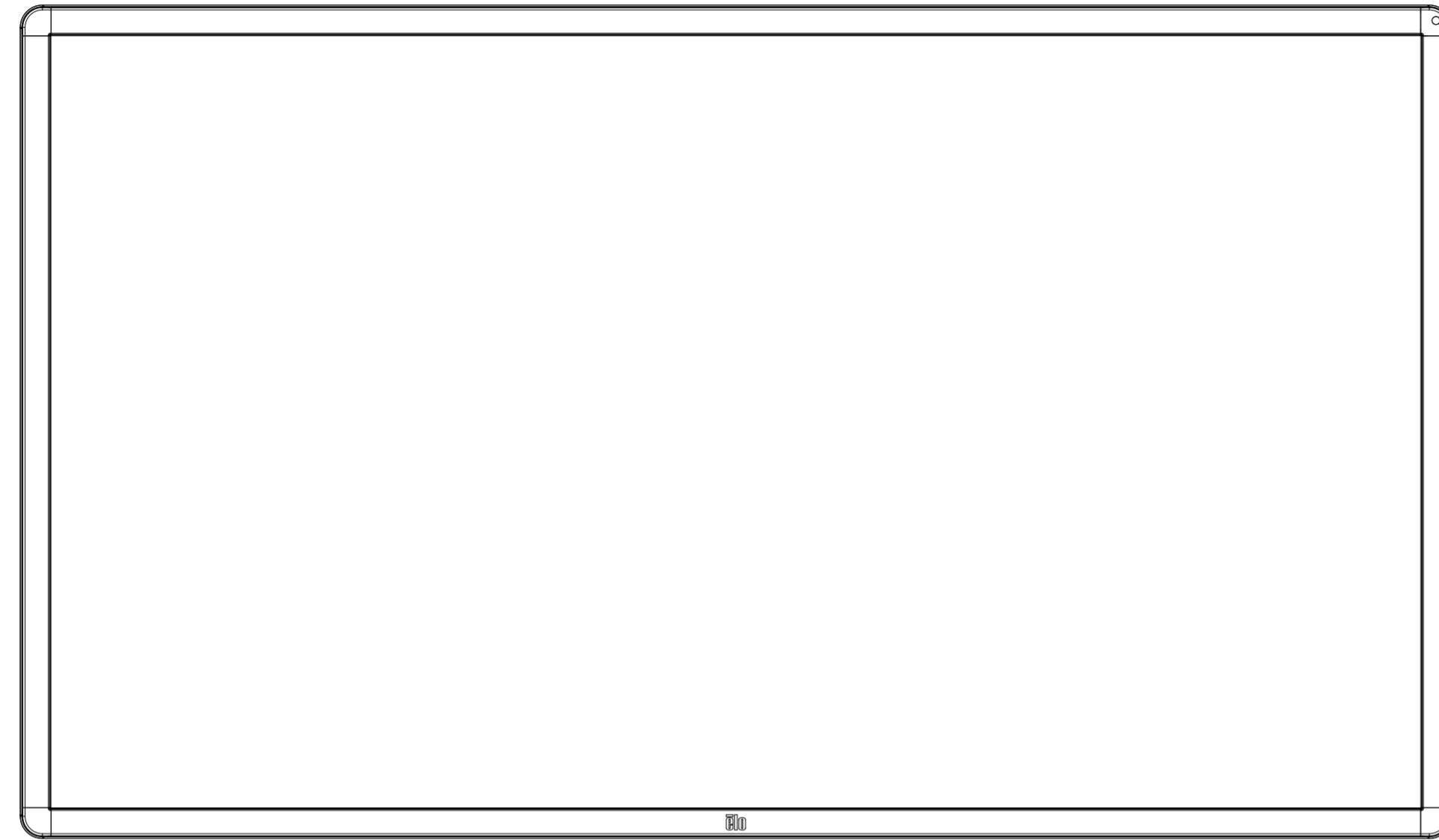
REMOTE OSD (1 INCLUDED WITH TOUCHMONITOR)
P/N E483757



DIMENSIONS ARE IN MILLIMETERS [INCHES]

elo
MS601862
DATE: 09/14/2016
REV: B

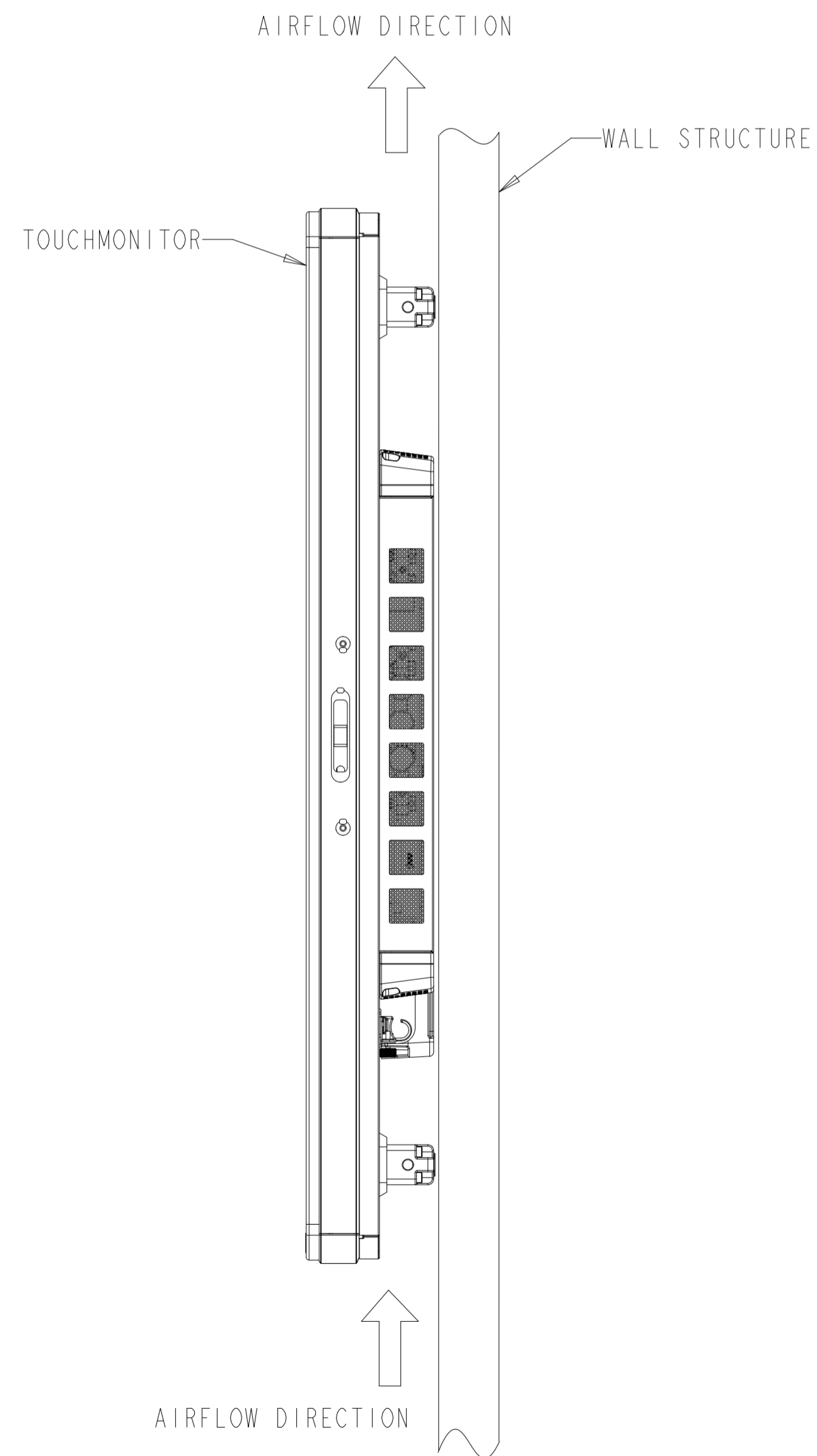
MOUNTING INTERFACE FOR PERIPHERALS
ONE PER SIDE (FOUR TOTAL)



THERMAL RECOMMENDATIONS PORTRAIT AND LANDSCAPE ORIENTATION

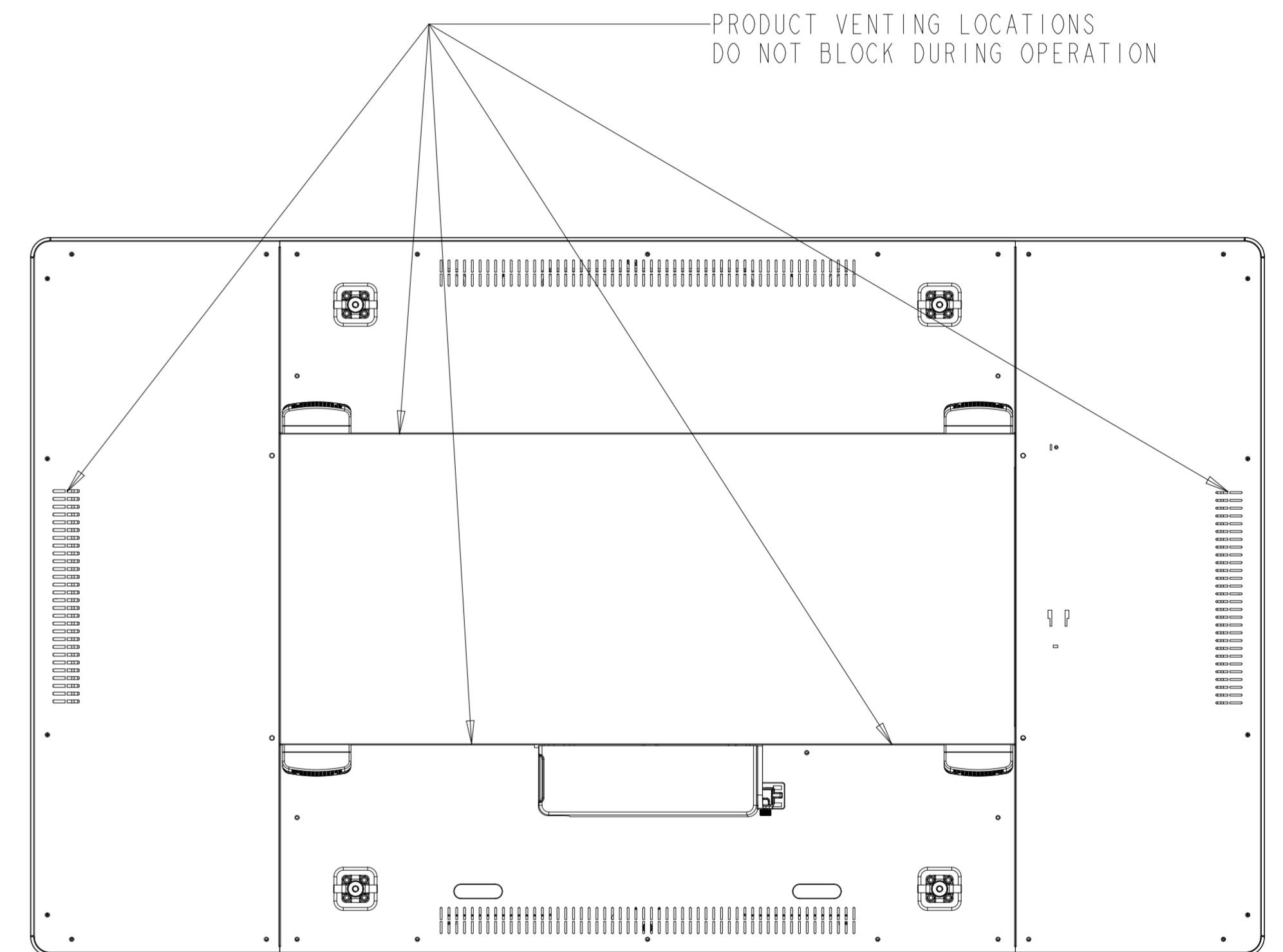
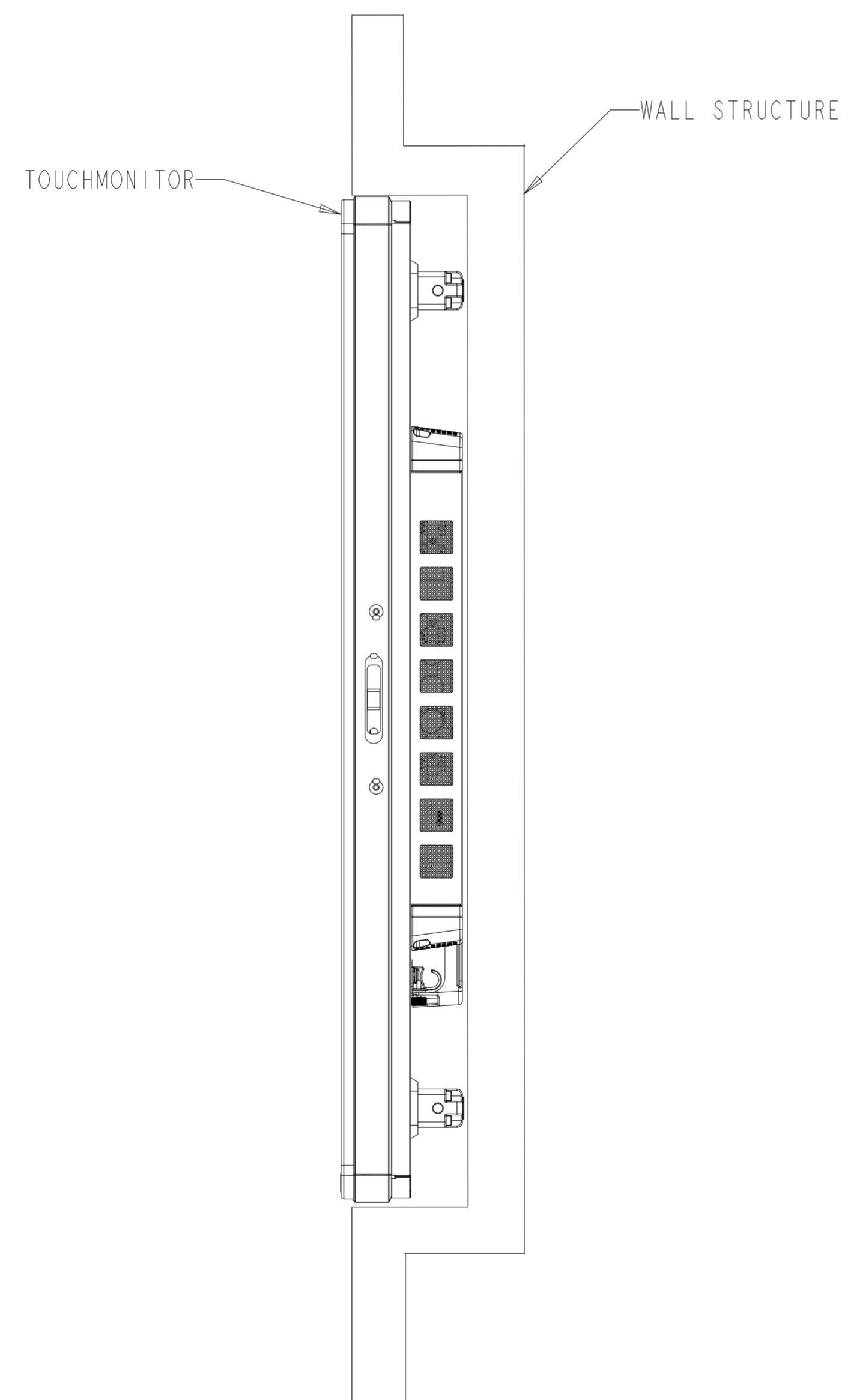
WALL MOUNTING

MAINTAIN AMBIENT ROOM TEMPERATURE
BELOW 40C

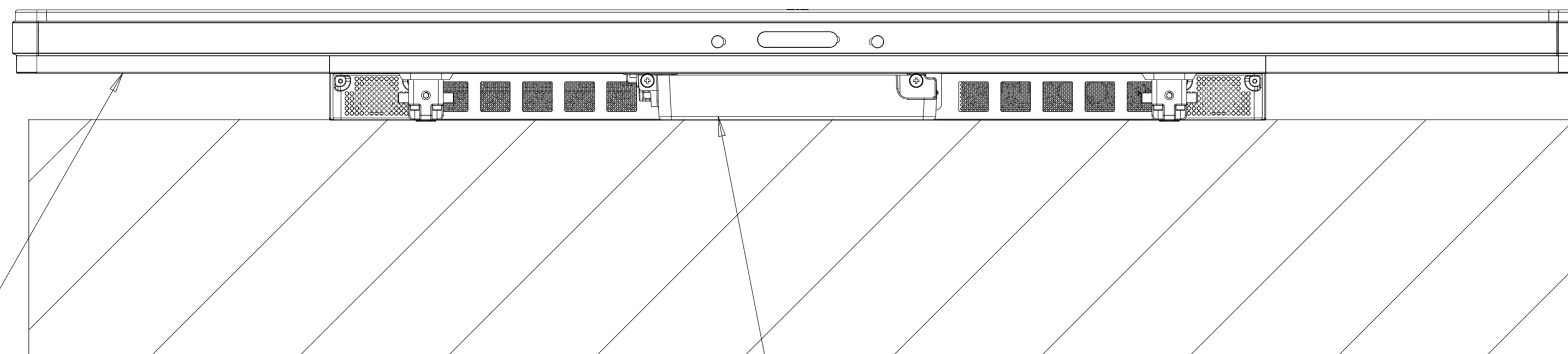


FLUSH MOUNTING

AIR BEHIND MONITOR MUST NEVER EXCEED
40C DURING OPERATION. INSTALL VENTING
AND/OR FANS IN WALL STRUCTURE TO CIRCULATE
AIR AND MAINTAIN SAFE OPERATING TEMPERATURE.



THERMAL RECOMMENDATIONS
TABLE-TOP ORIENTATION



PRODUCT VENTING ALL AROUND MONITOR
MUST BE KEPT OPEN DURING OPERATION
TO MAINTAIN SAFE OPERATING TEMPERATURE

WHEN MOUNTED IN TABLE-TOP ORIENTATION, DO NOT ALLOW
AIR TEMPERATURE BELOW MONITOR TO EXCEED OPERATING TEMPERATURE SPECIFICATIONS.
RECOMMENDATION: INSTALL AIR CIRCULATION DEVICES ABLE TO MONITOR AND CONTROL
AIRSPACE TEMPERATURE UNDER THE TOUCHMONITOR SO IT WILL COMPLY WITH
OPERATING TEMPERATURE SPECIFICATIONS

DIMENSIONS ARE IN MILLIMETERS

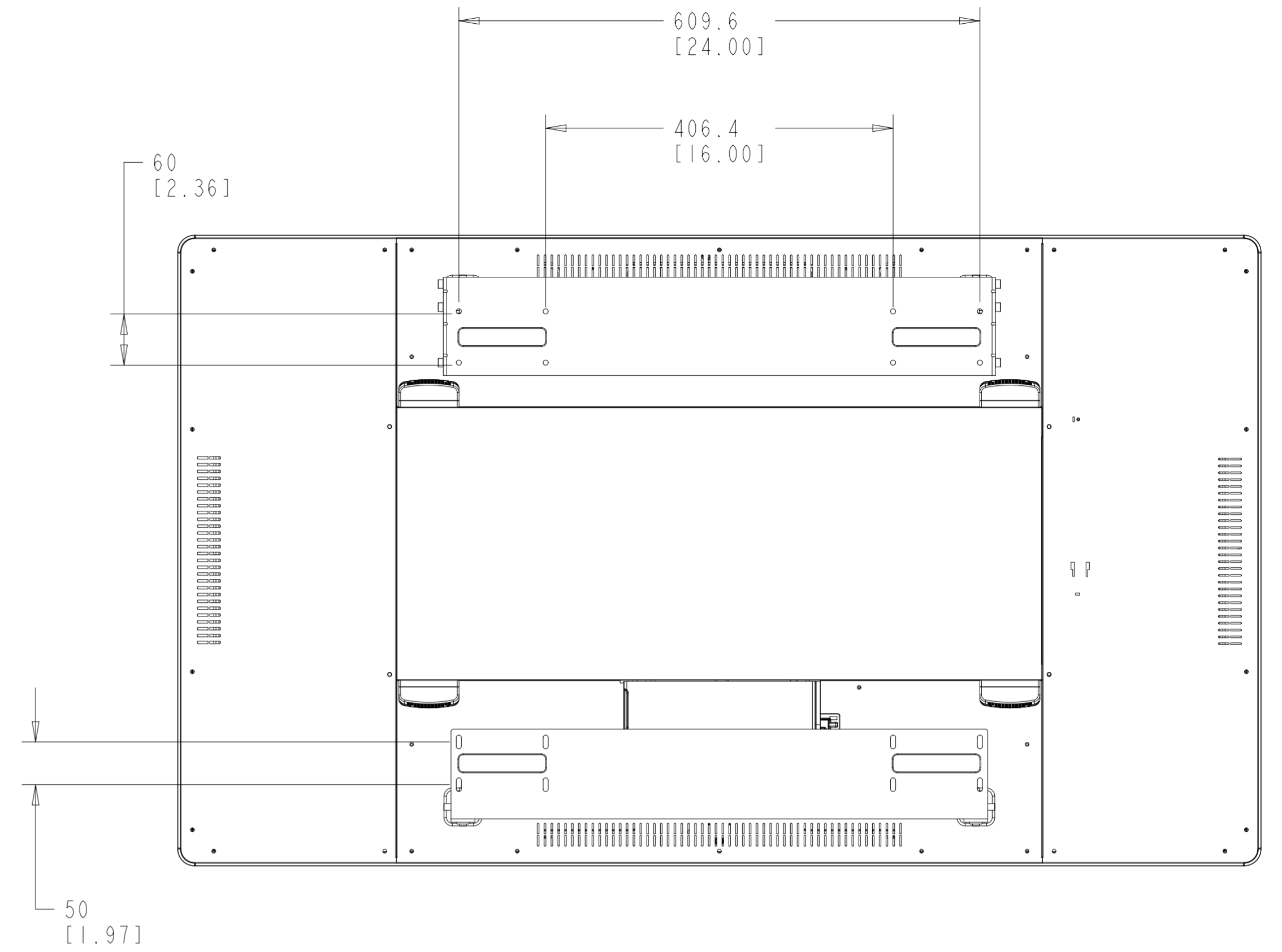
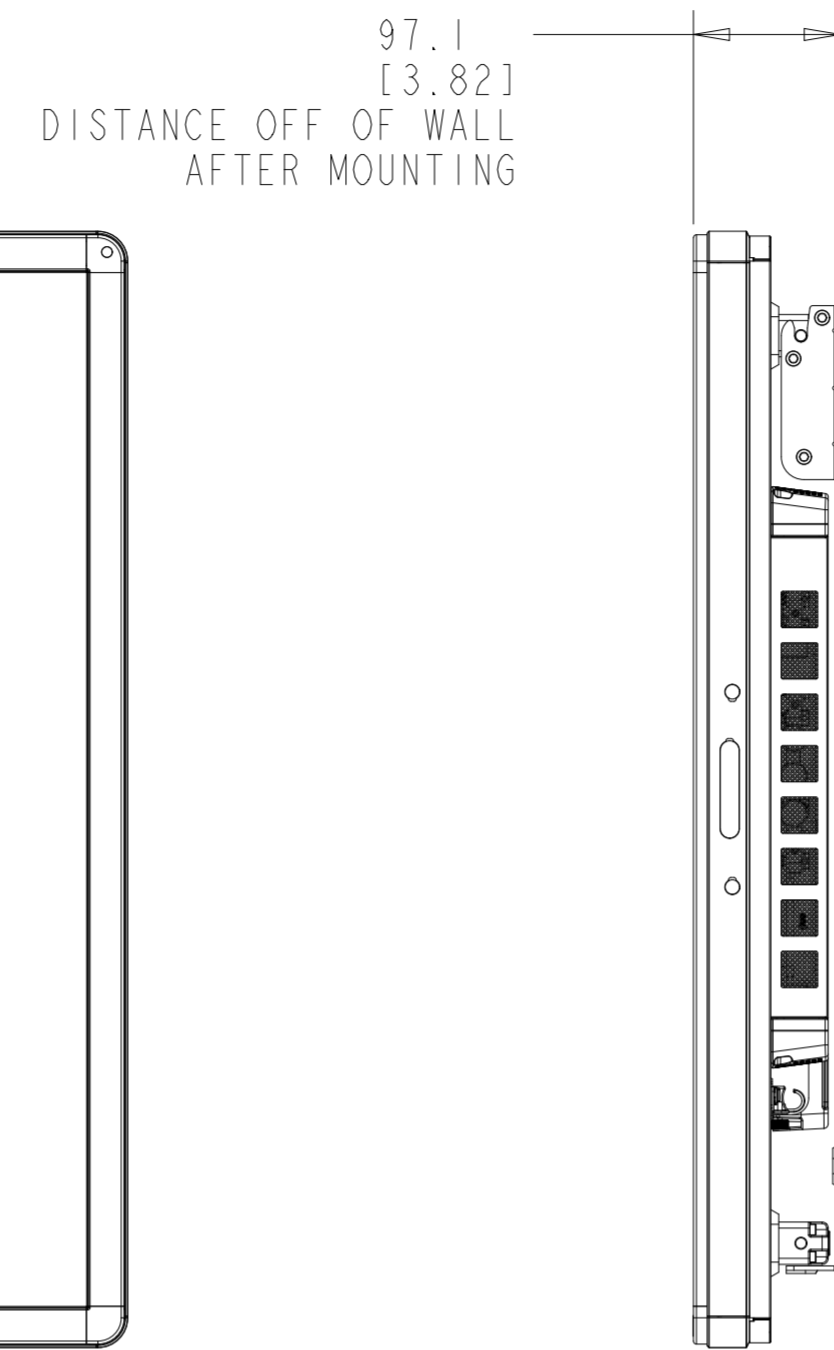
elo

MS601862

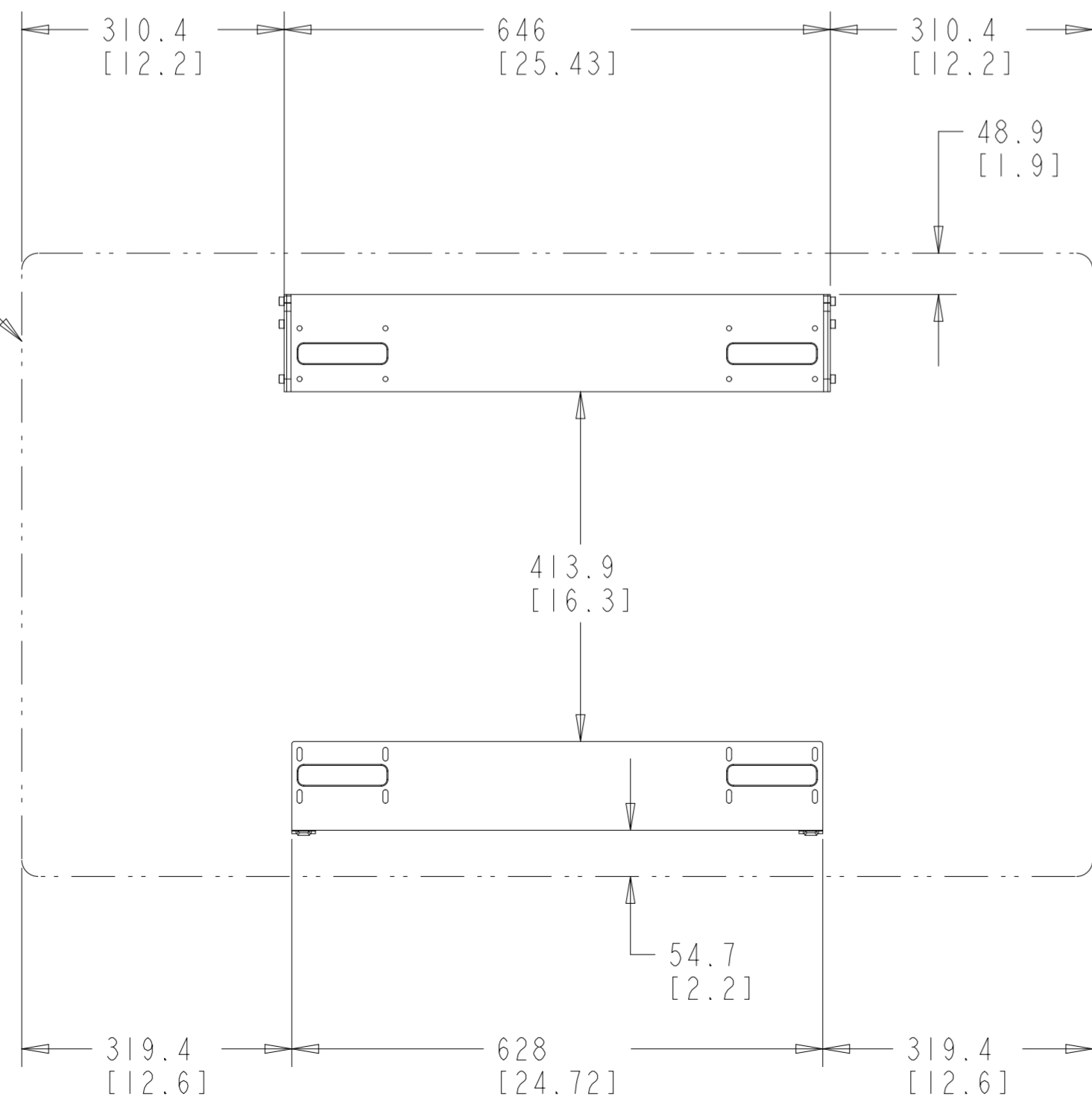
DATE: 09/14/2016

REV: B

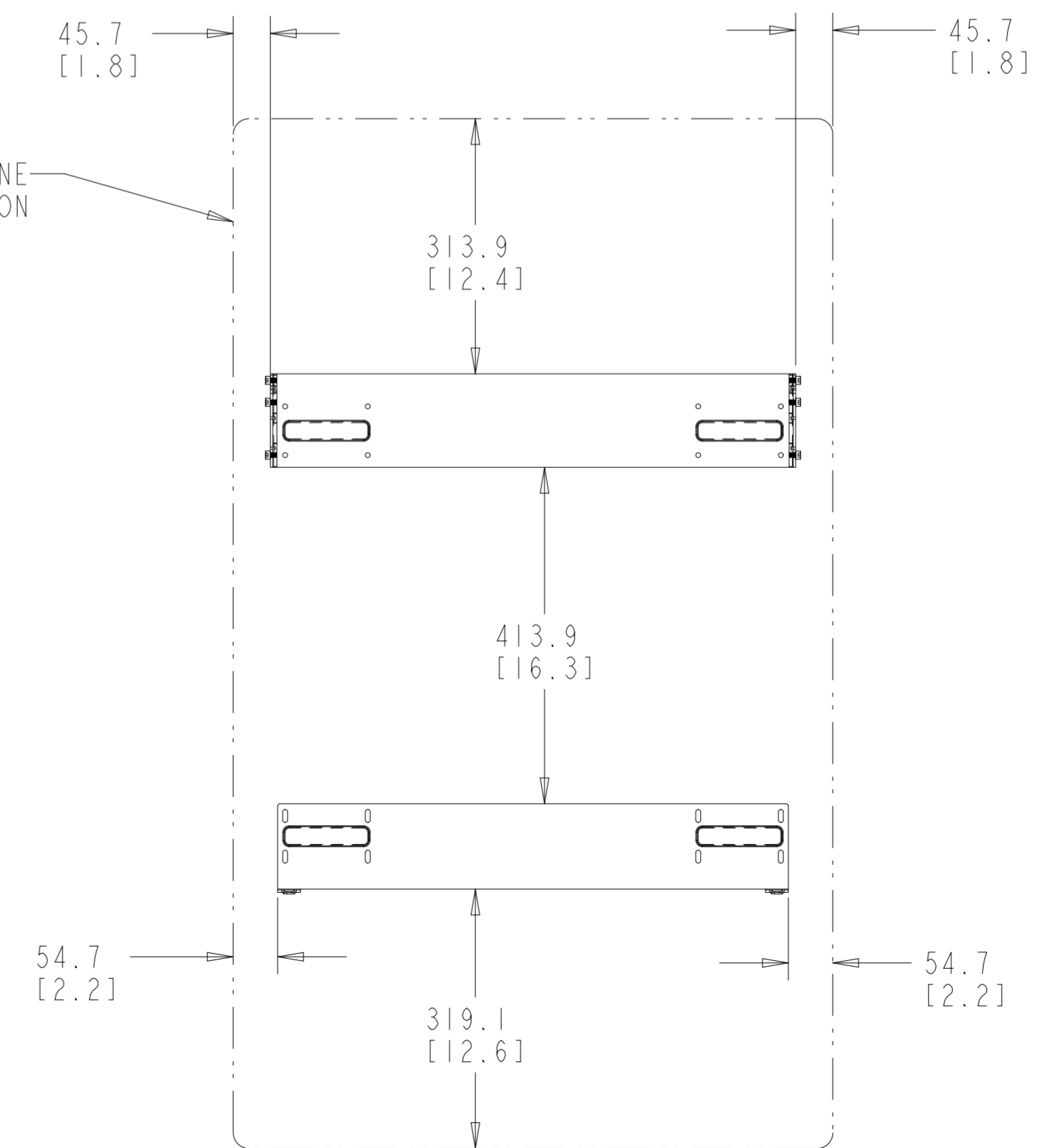
OPTIONAL WALLMOUNT KIT
P/N E248743



MONITOR OUTLINE
LANDSCAPE ORIENTATION



MONITOR OUTLINE
PORTRAIT ORIENTATION



OPTIONAL RFID KIT P/N E031451

