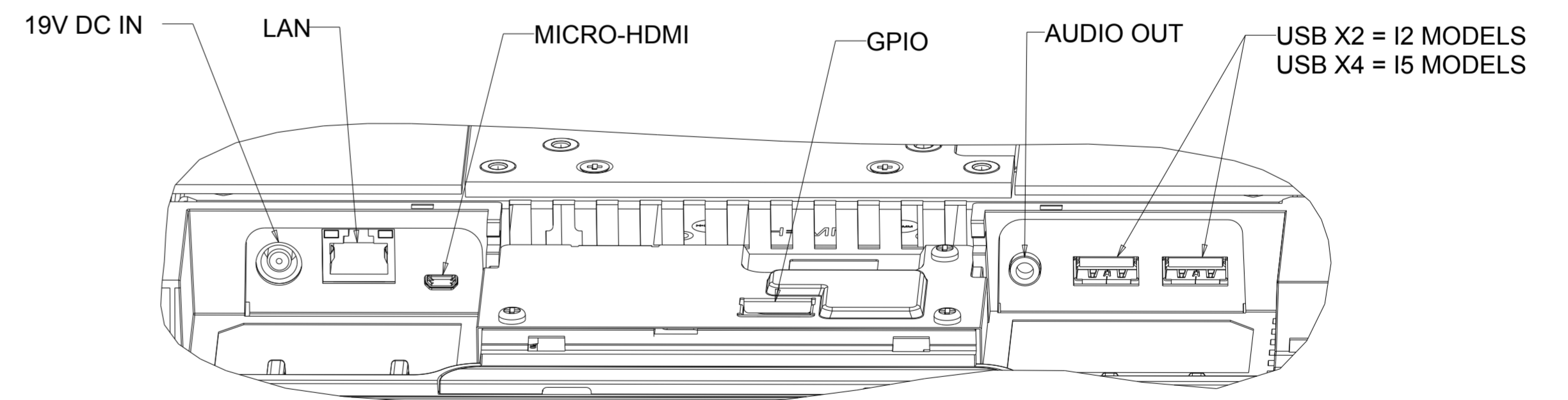
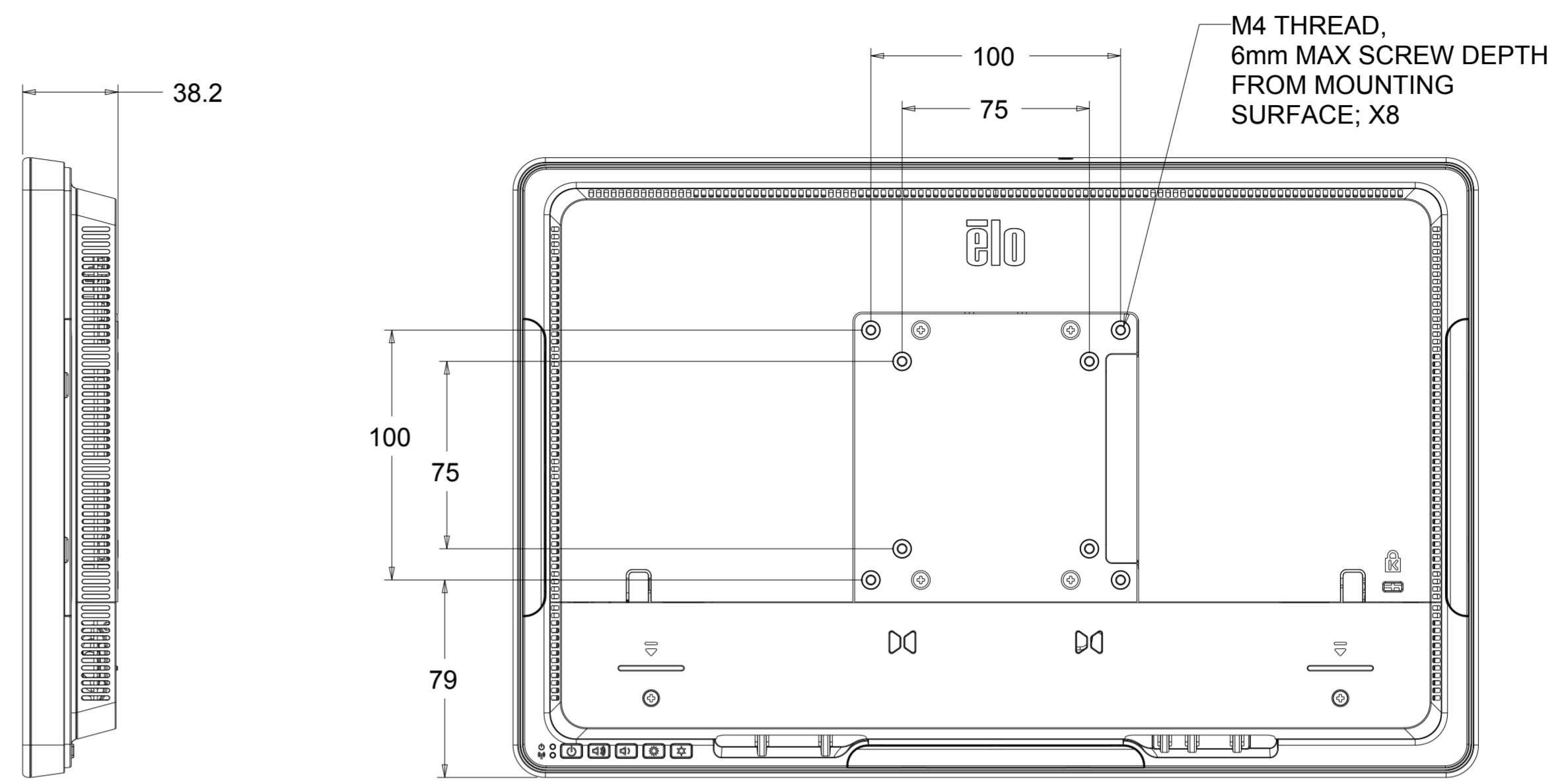
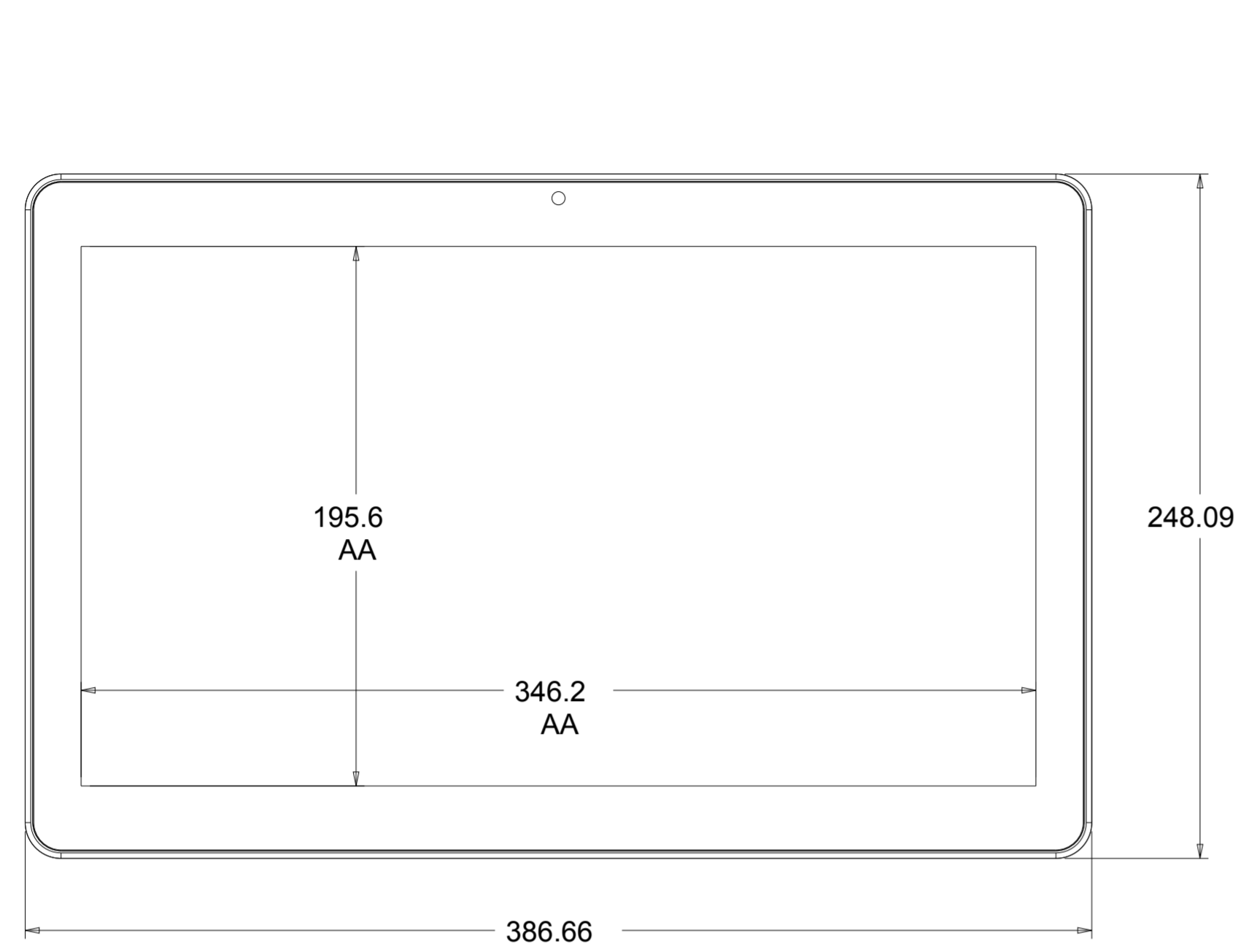
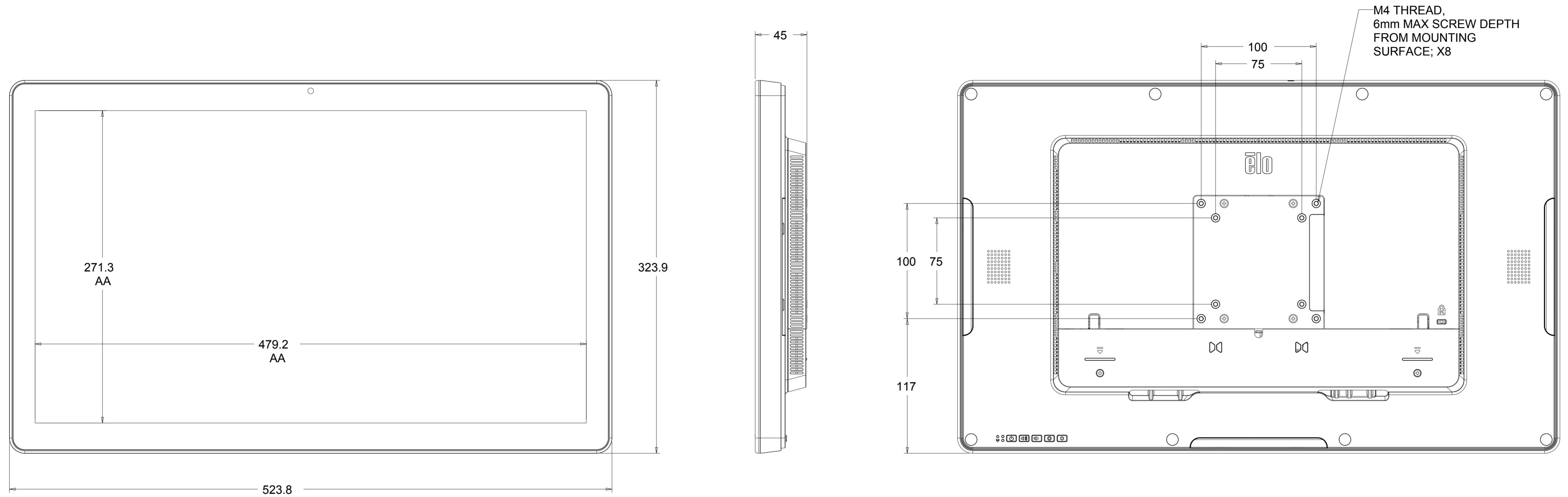


15" MODEL SHOWN; SEE PG. 2 FOR 22"

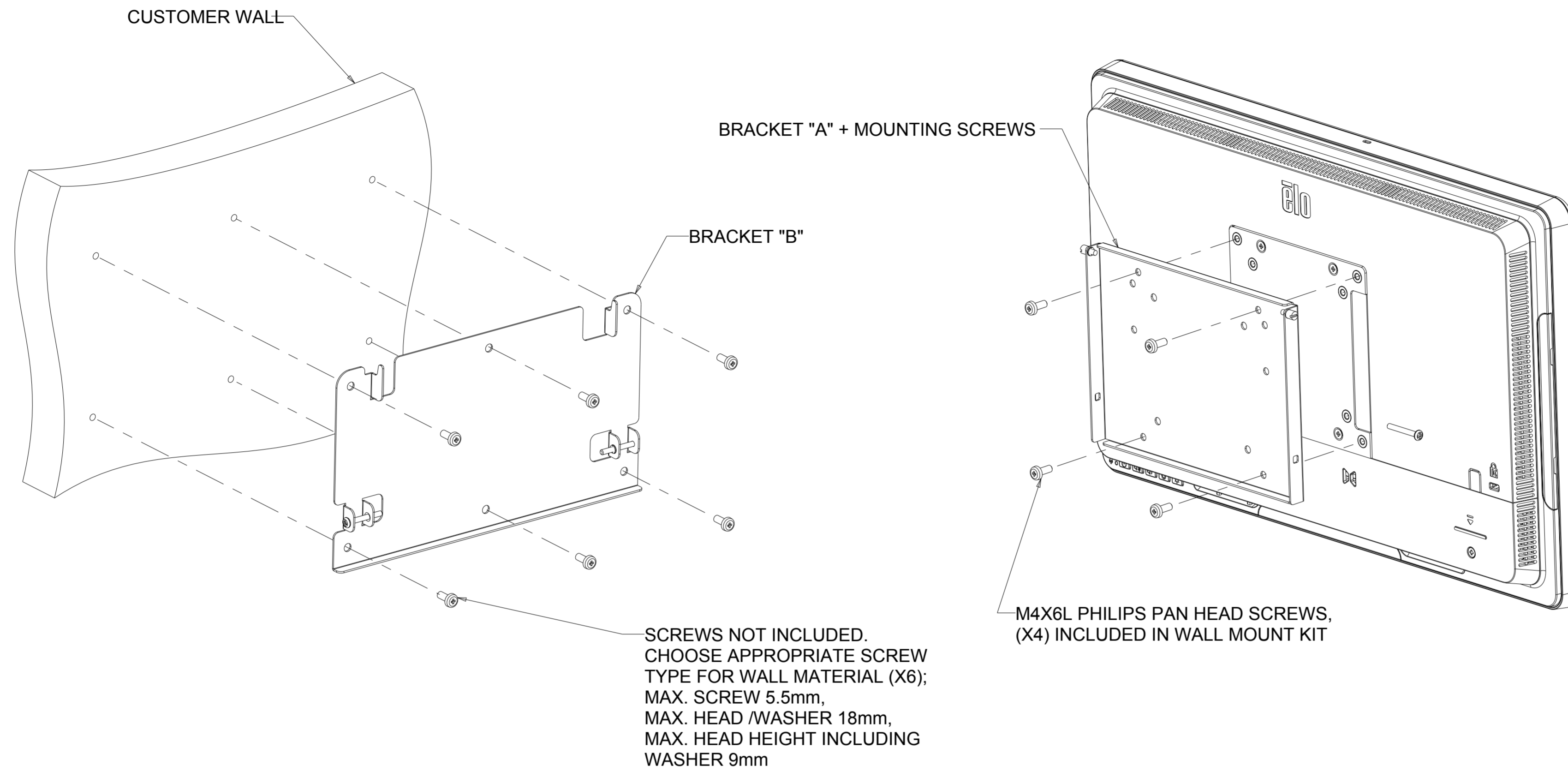


I/O FOR I-SERIES 15"/22"

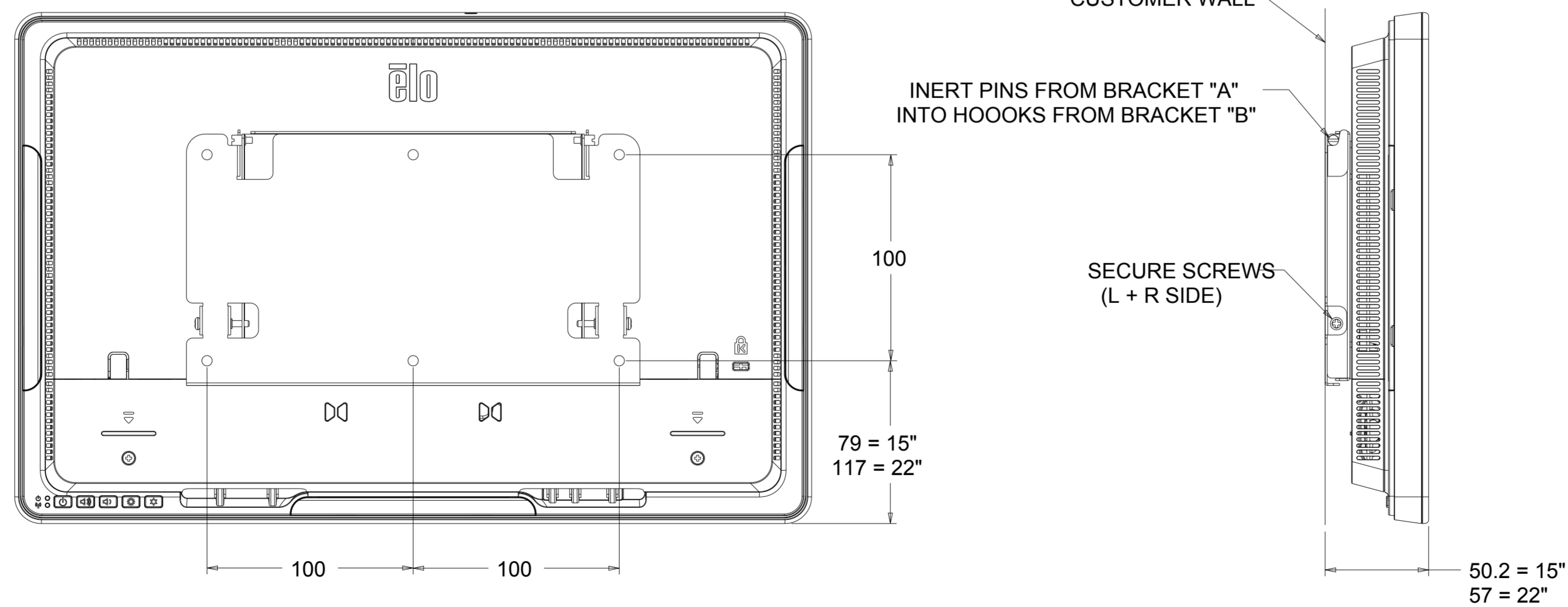
22" MODEL SHOWN; SEE PG. 1 FOR 15"



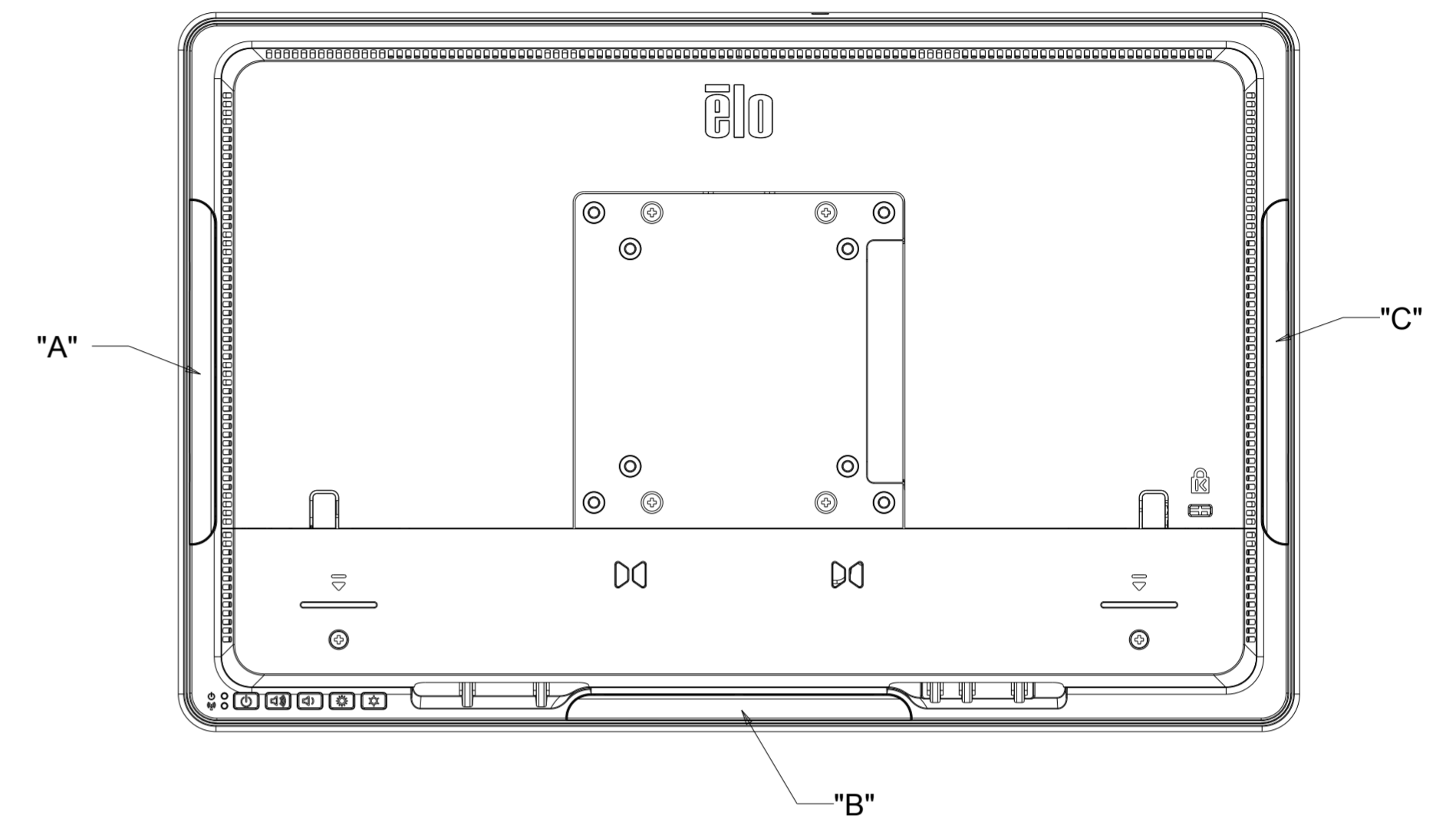
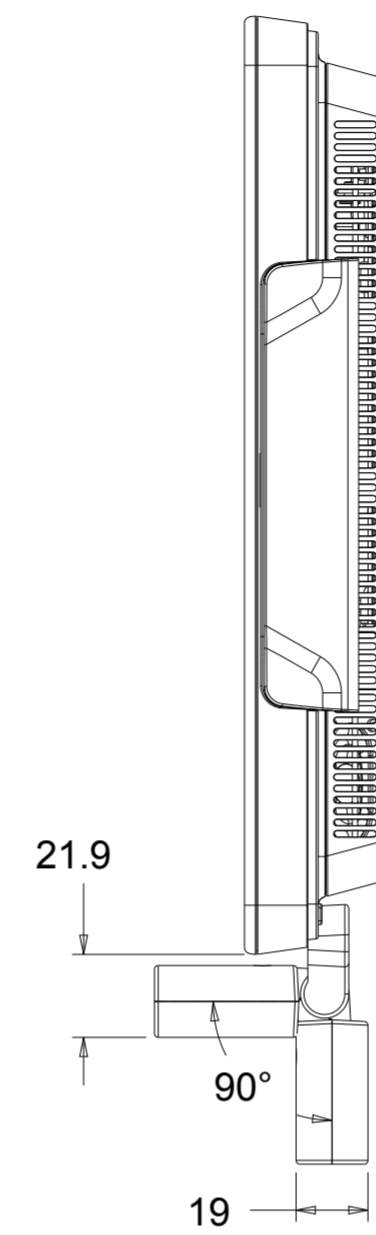
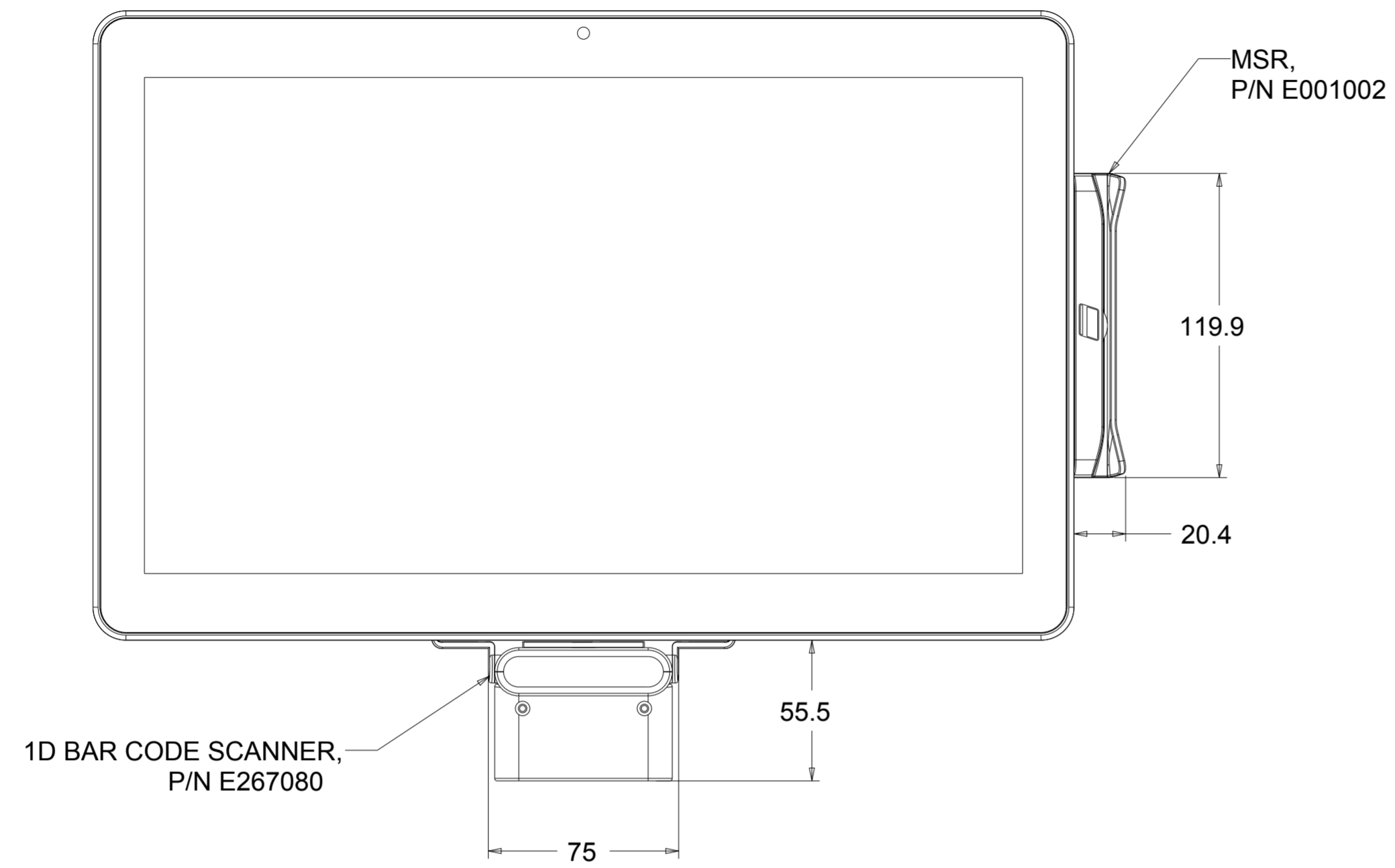
WALL MOUNT WITH OPTIONAL BRACKET ASSEMBLY, P/N E143088



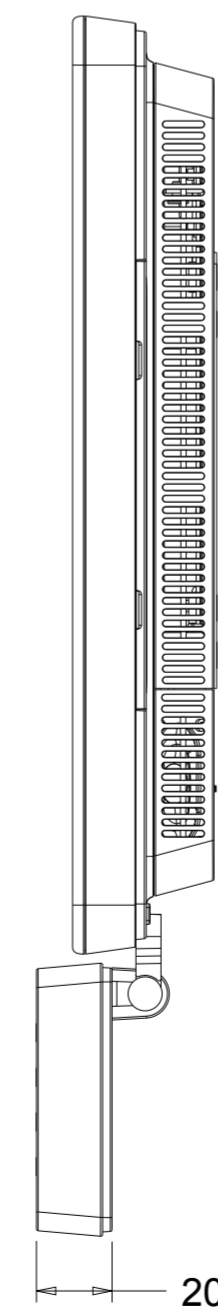
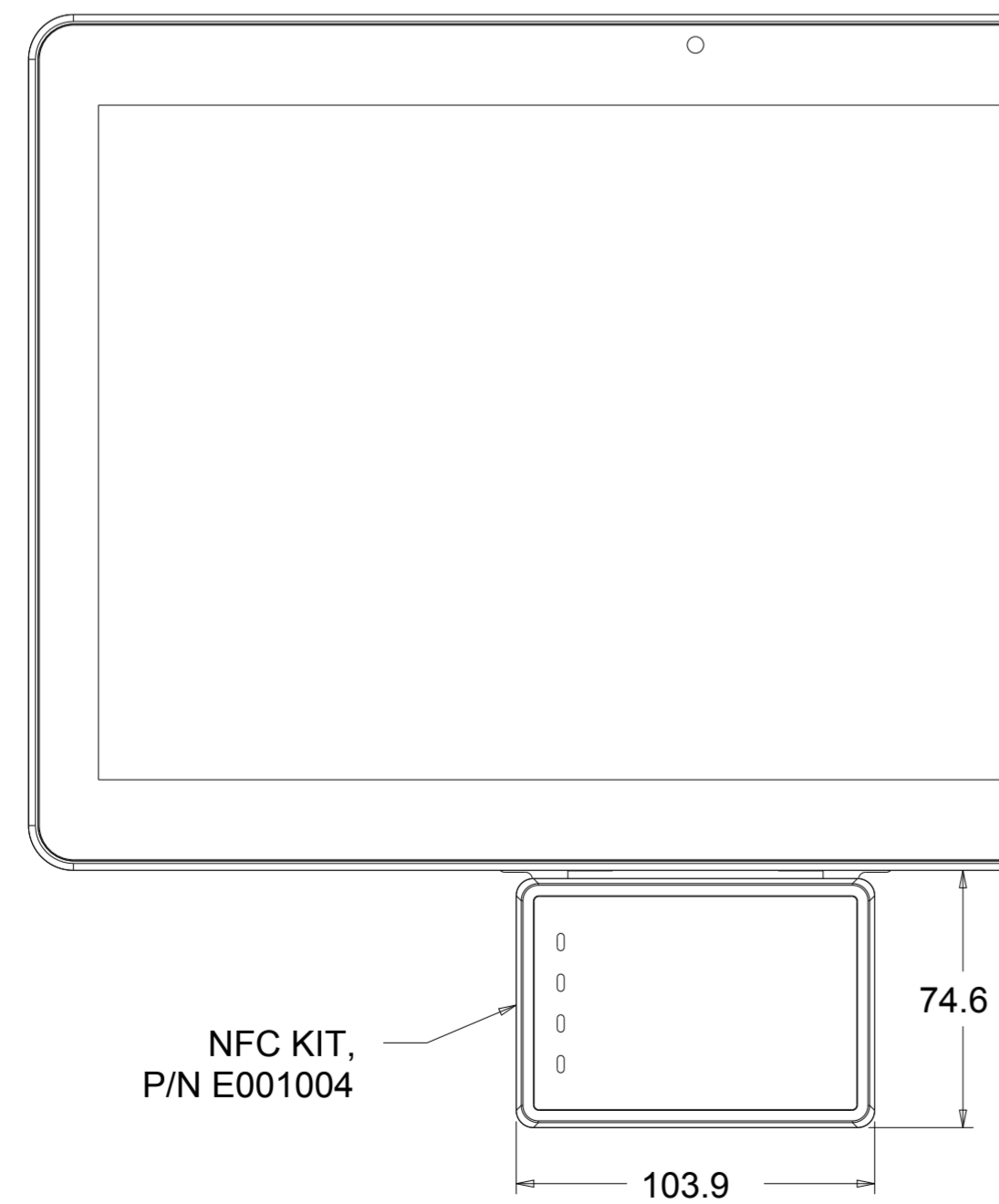
DIMENSIONS FROM BRACKET "B" TO COMPUTER WHEN MOUNTED TO WALL.



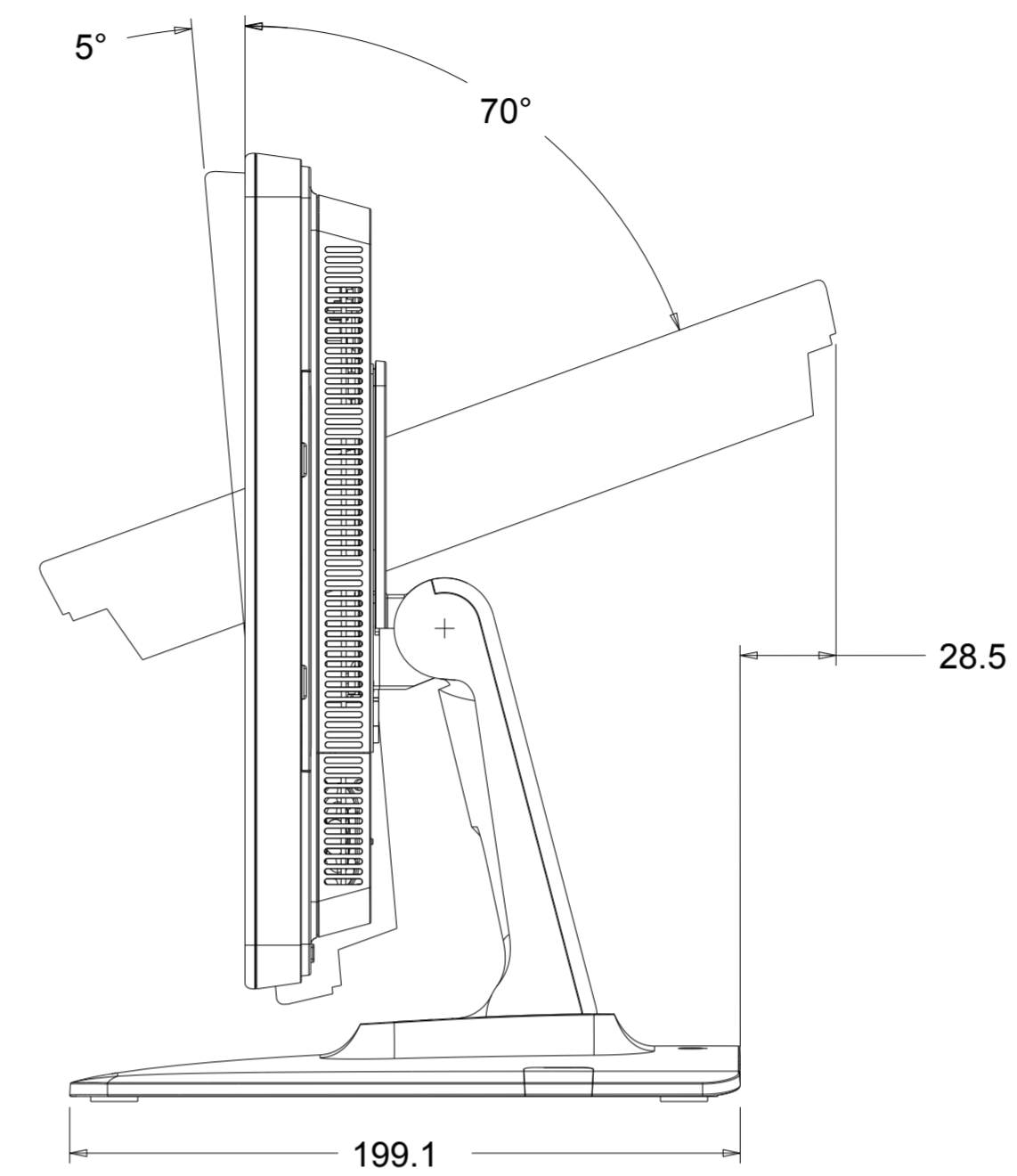
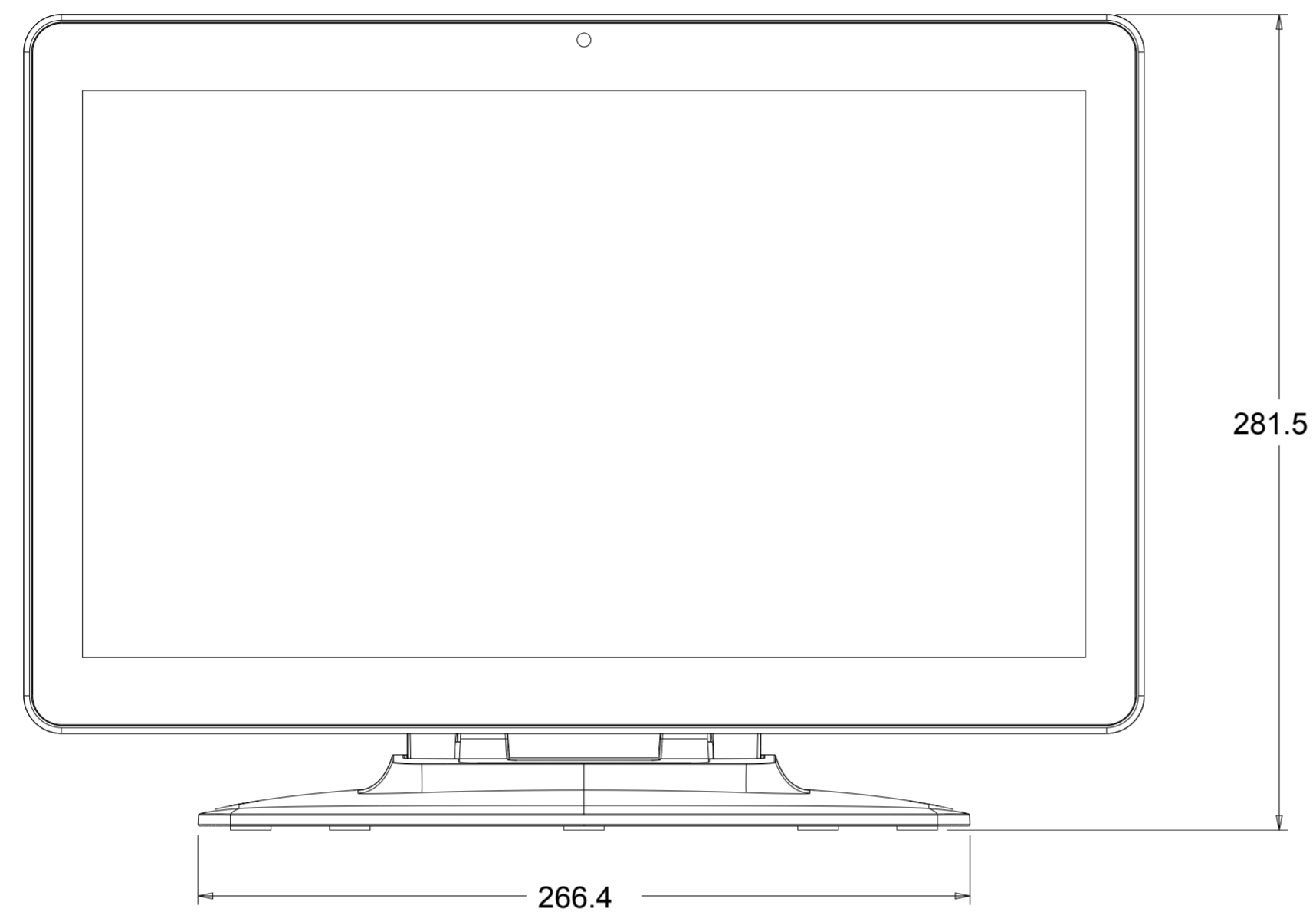
15"/22" OPTIONAL ACCESSORY KITS



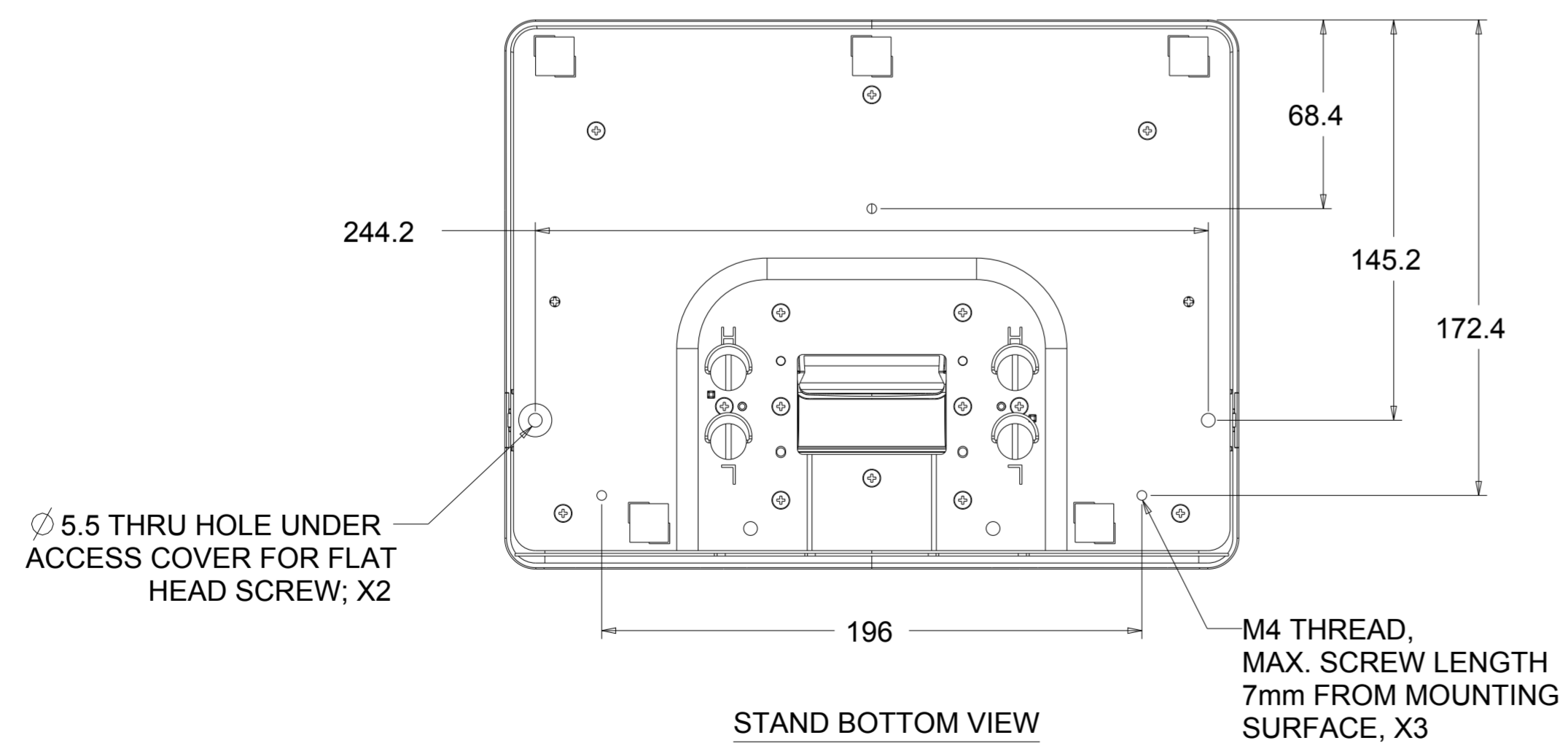
KITS CAN BE USED IN POSITIONS A, B OR C



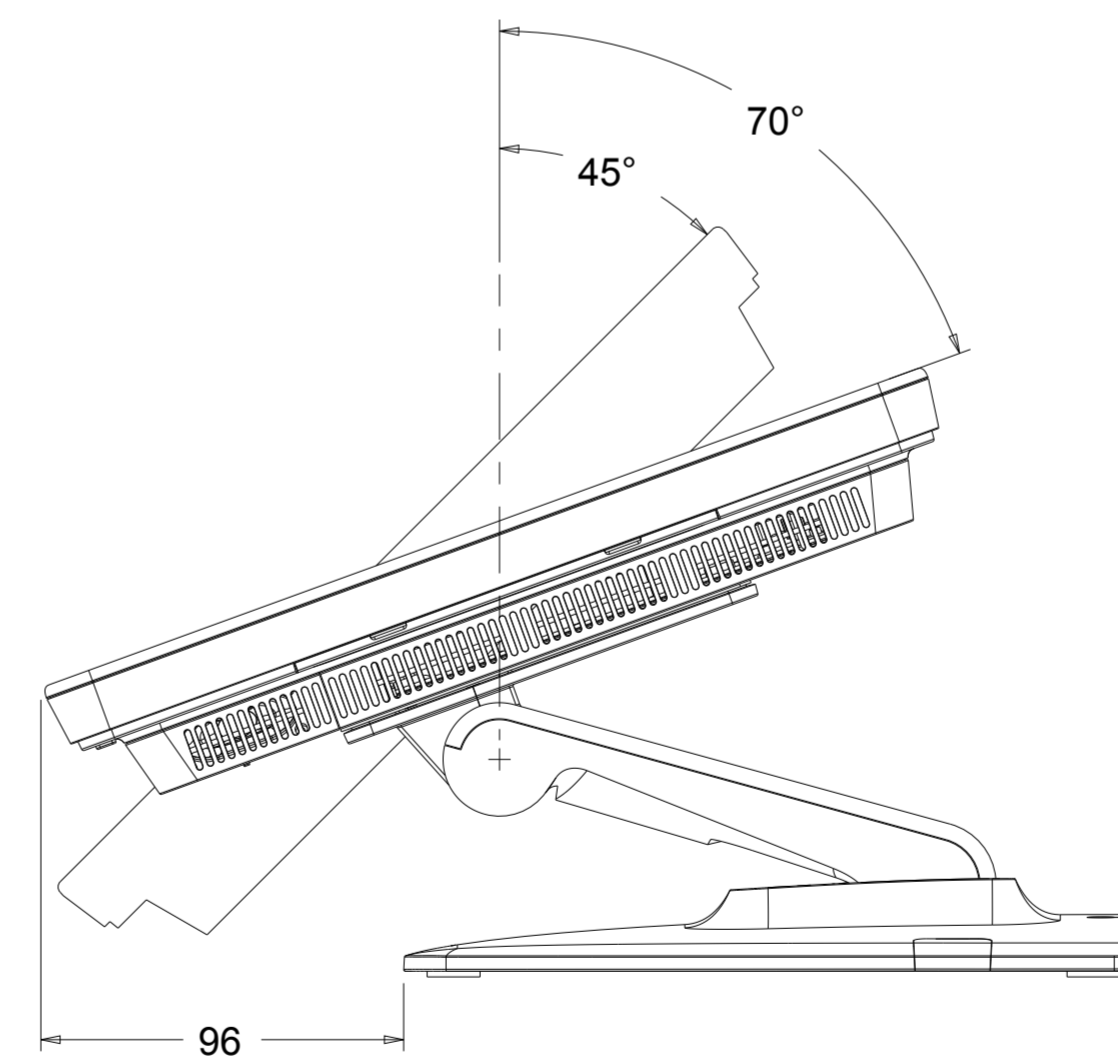
15" WITH OPTIONAL STAND KIT P/N: E044162



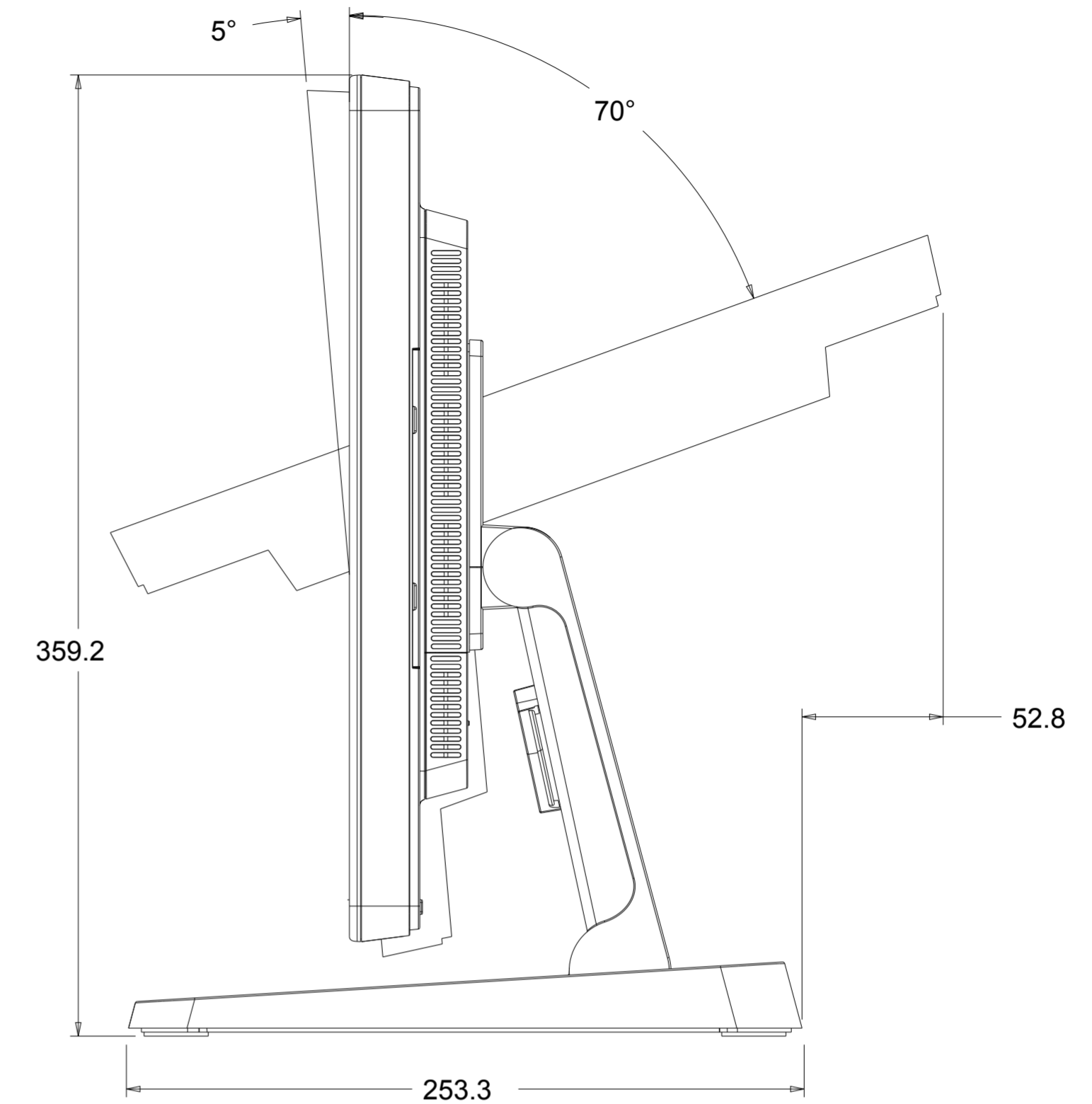
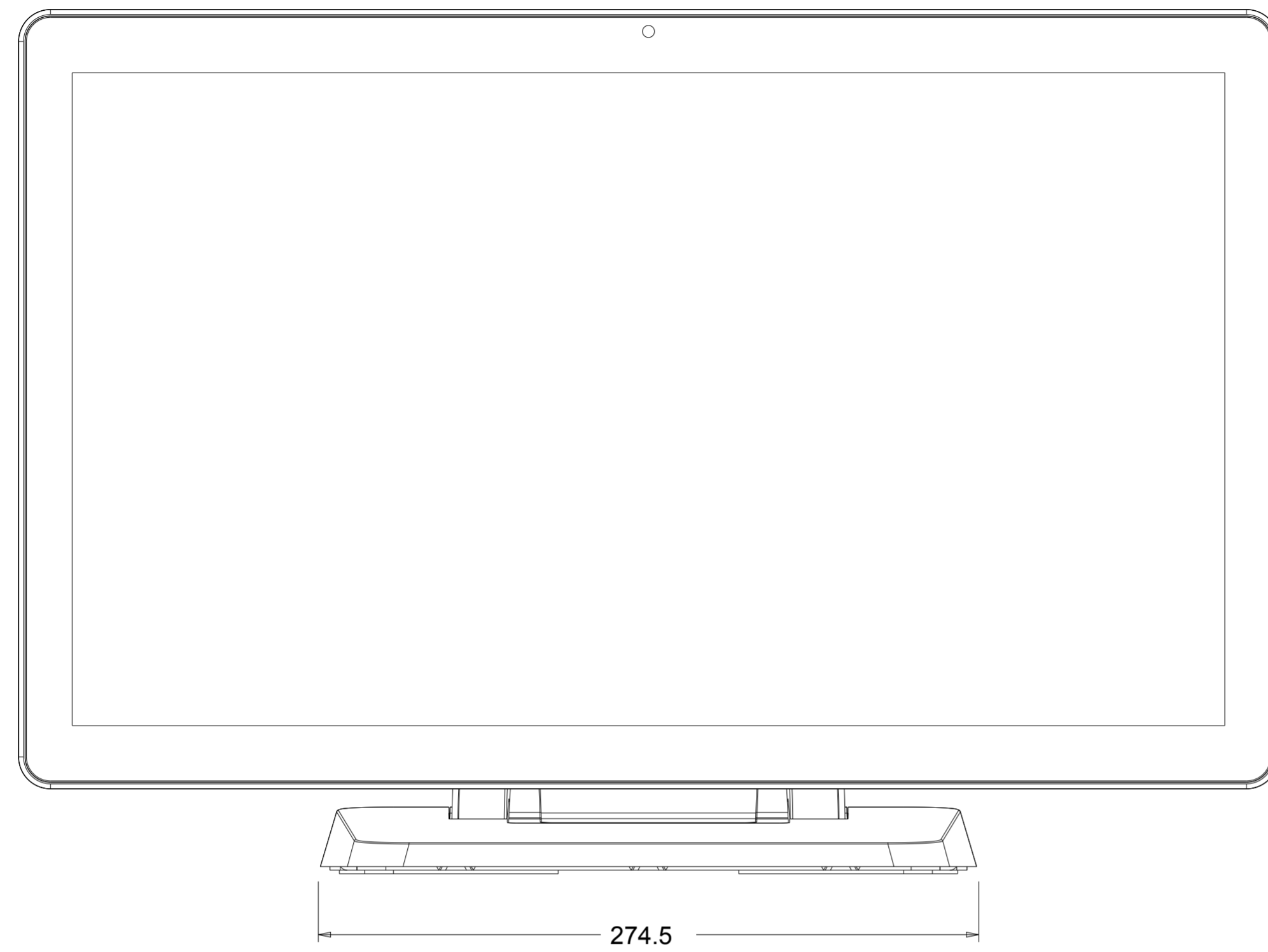
DISPLAY ANGLE RANGE
IN HIGH POSITION



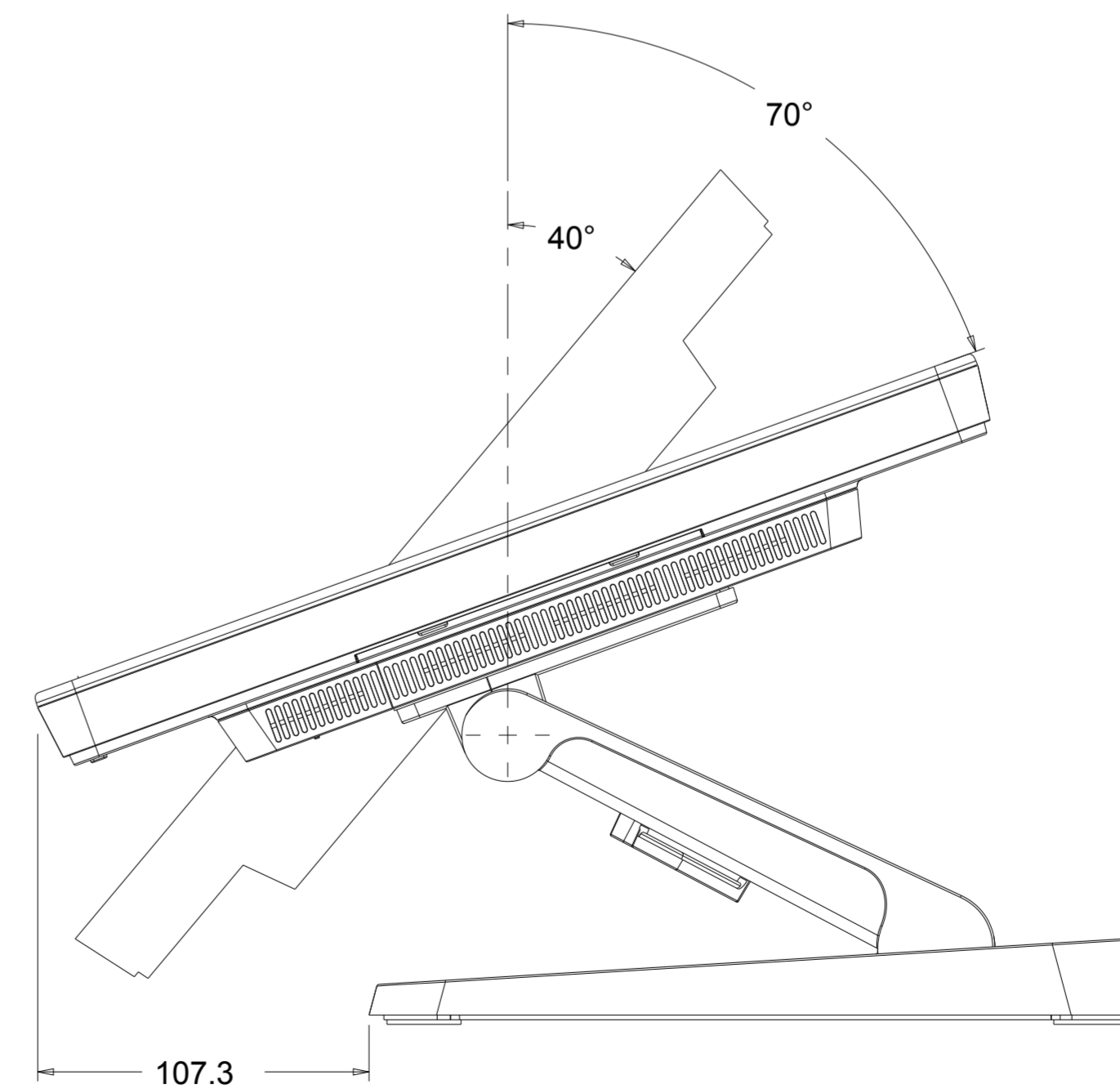
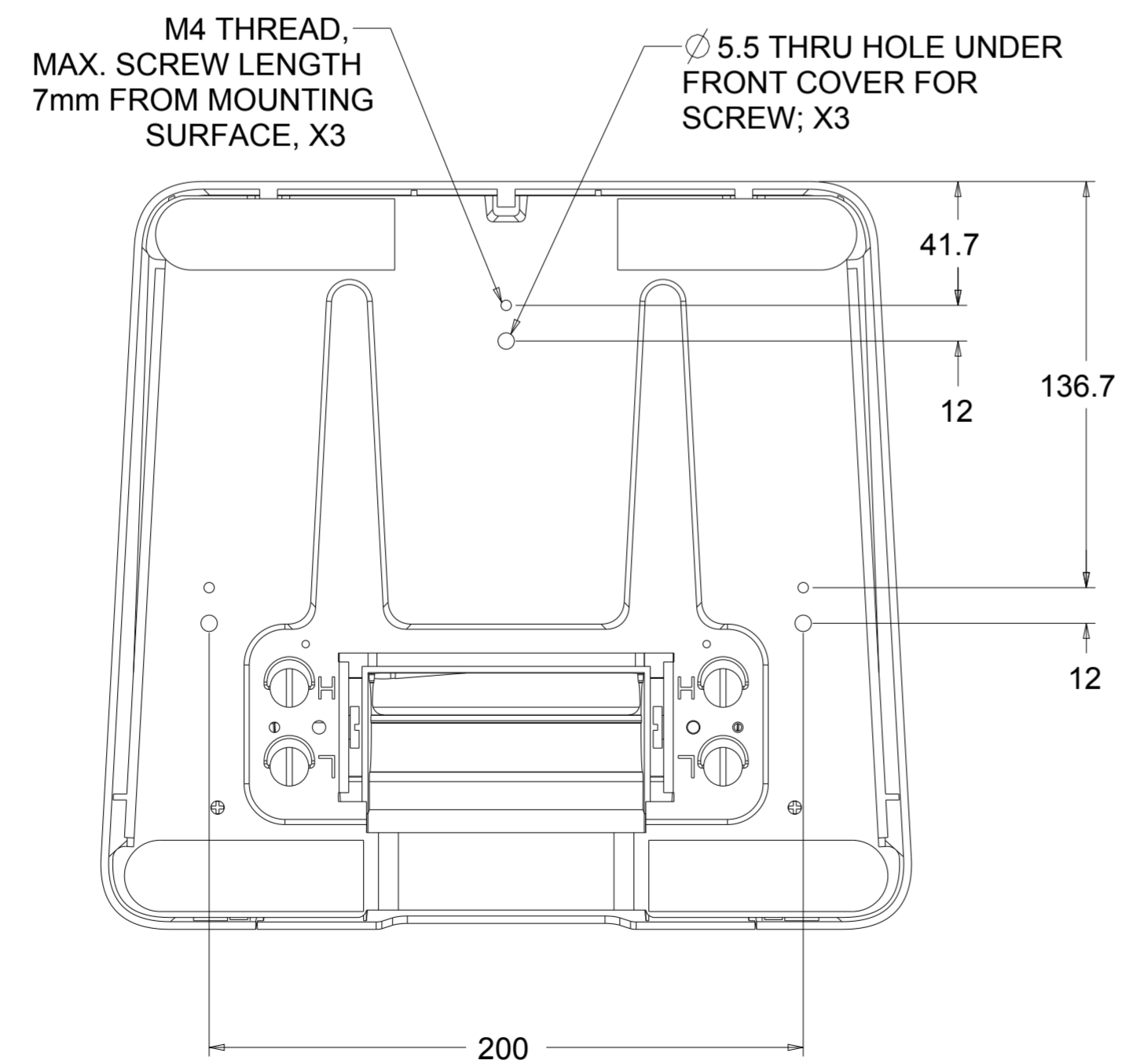
STAND BOTTOM VIEW



DISPLAY ANGLE RANGE
IN LOW POSITION



DISPLAY ANGLE RANGE
IN HIGH POSITION



DISPLAY ANGLE RANGE
IN LOW POSITION

OPTIONAL EXPANSION MODULE, P/N: E990645

