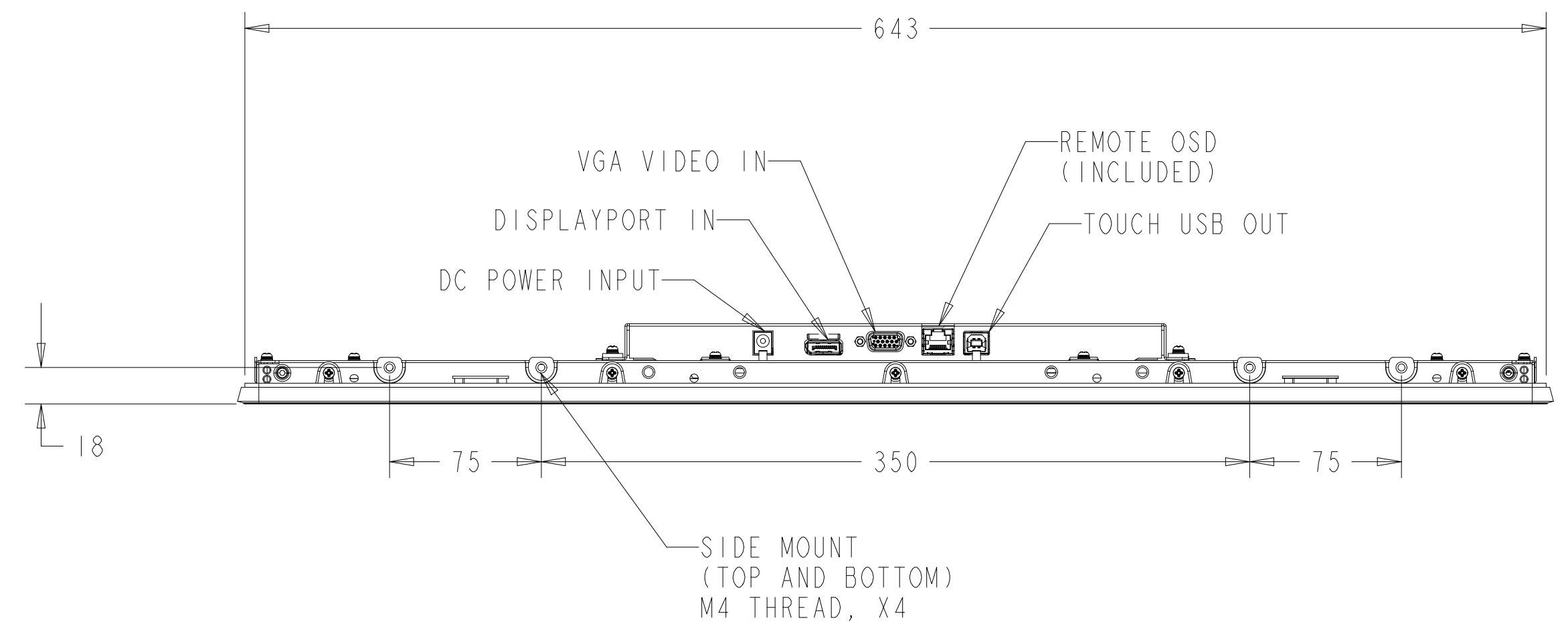
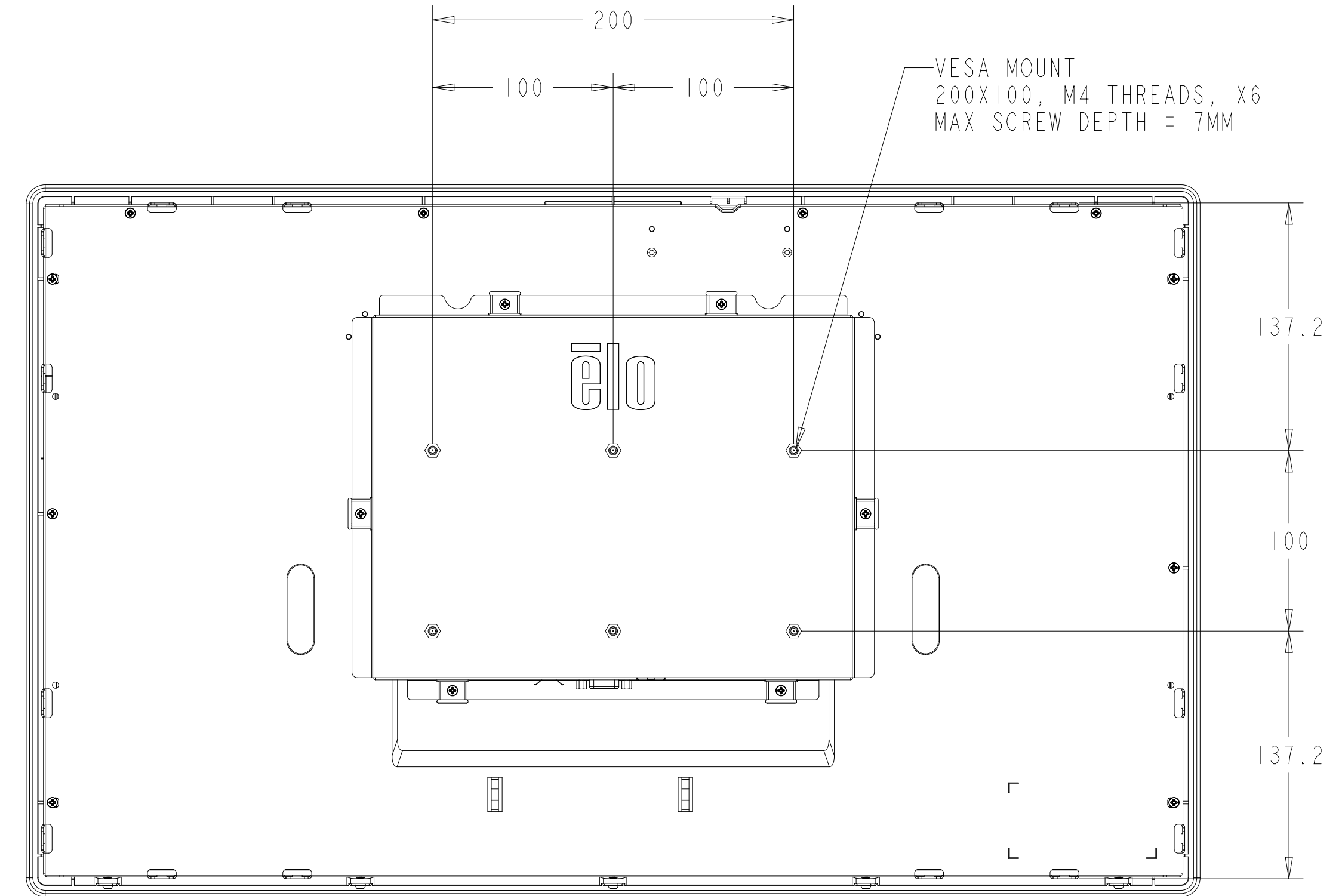
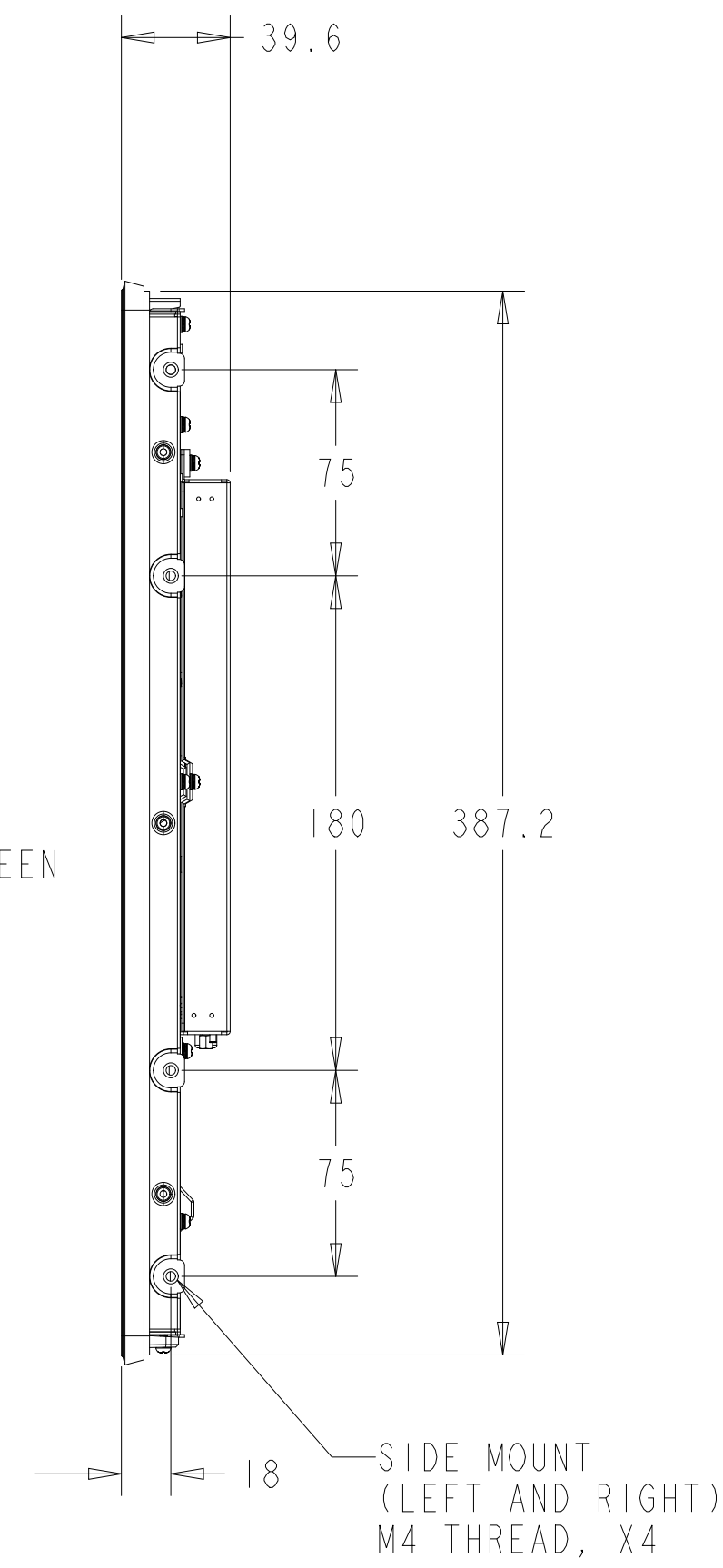
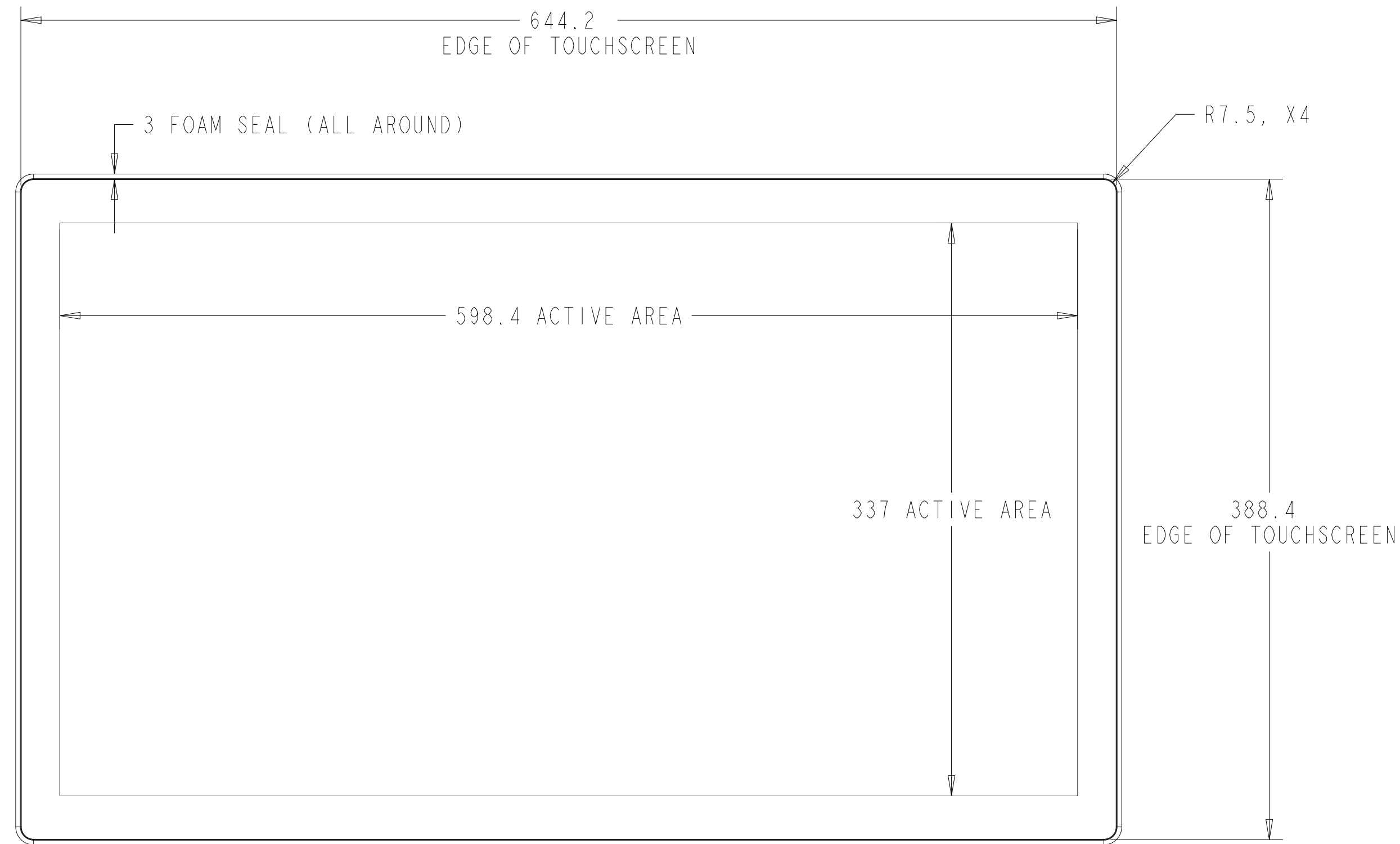
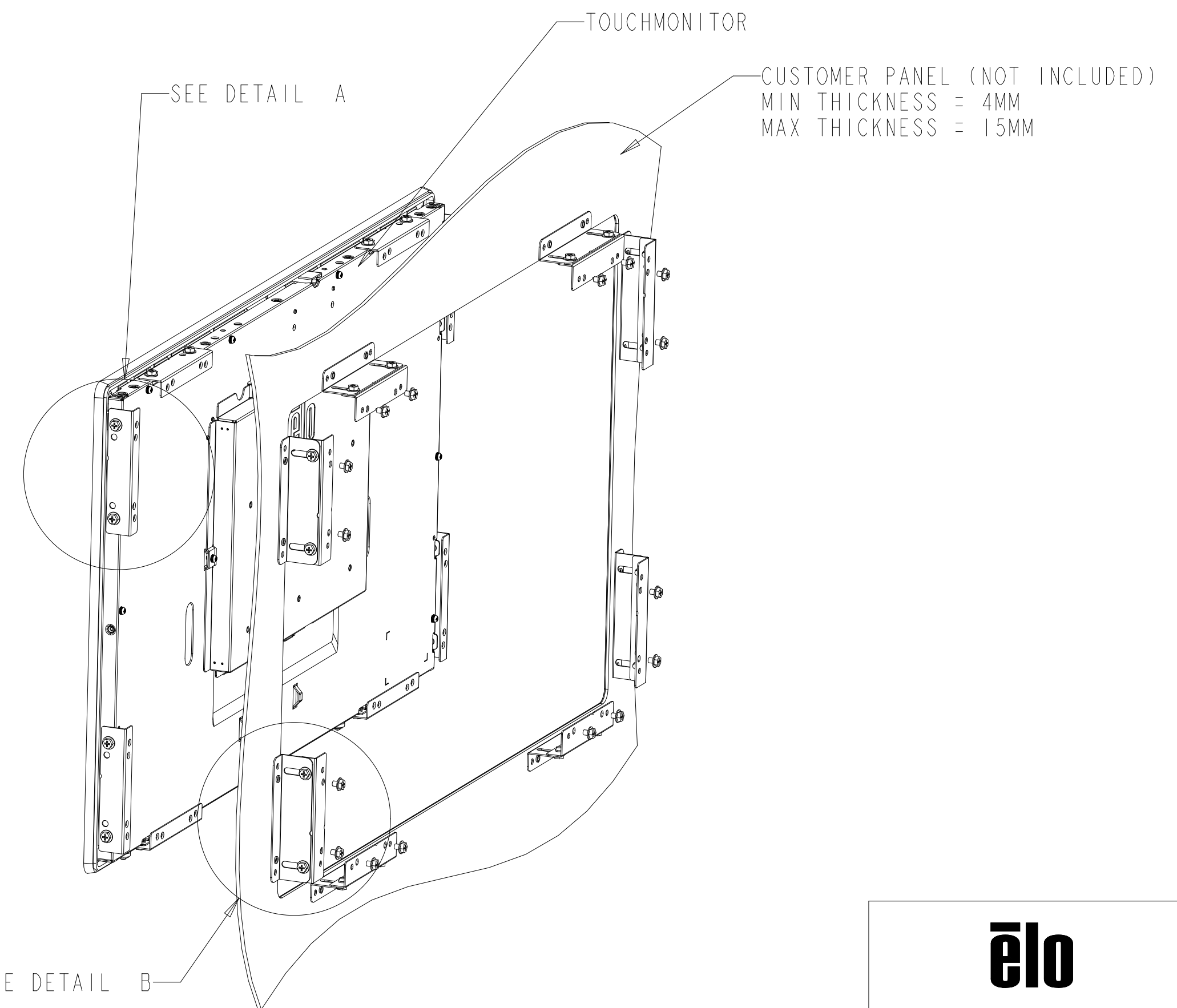
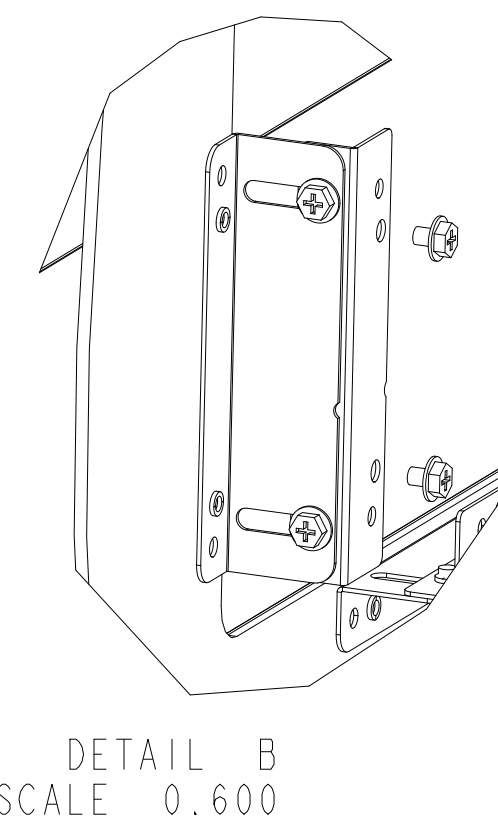
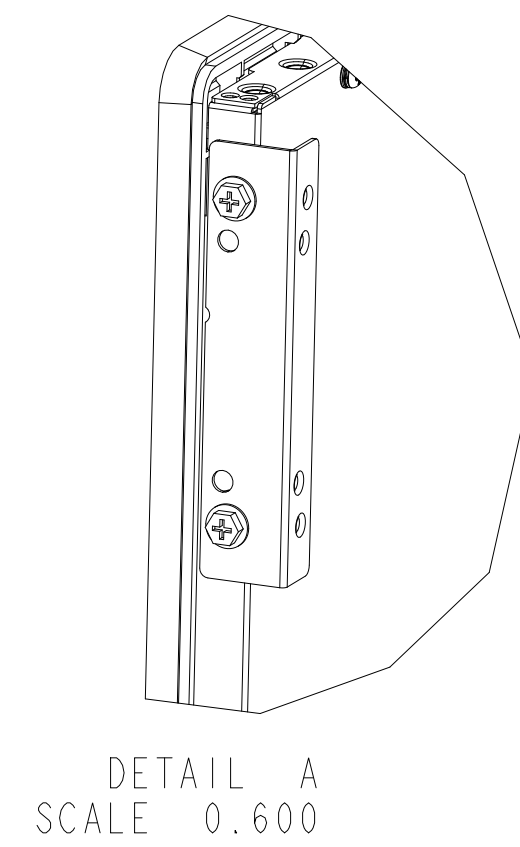
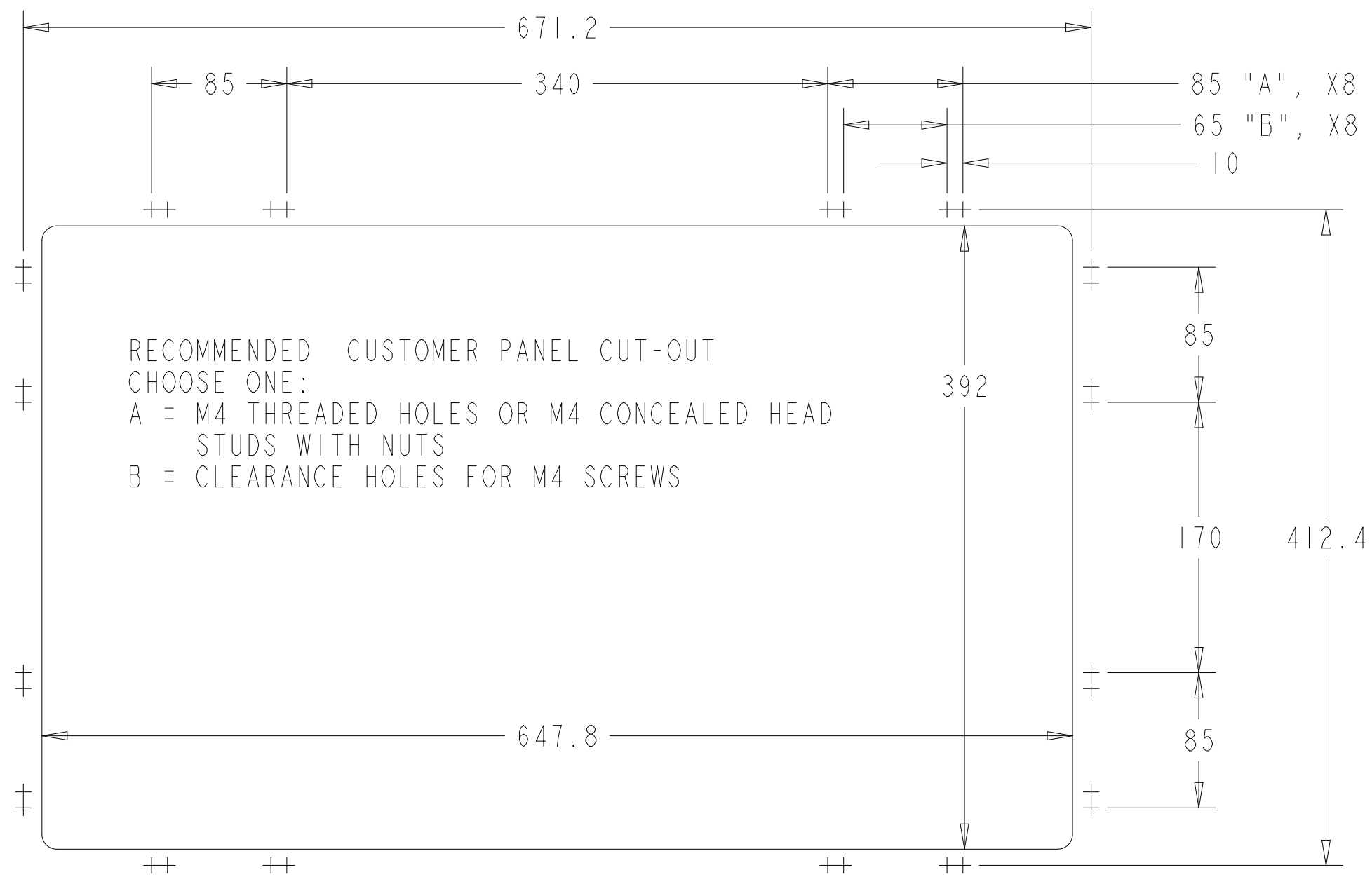
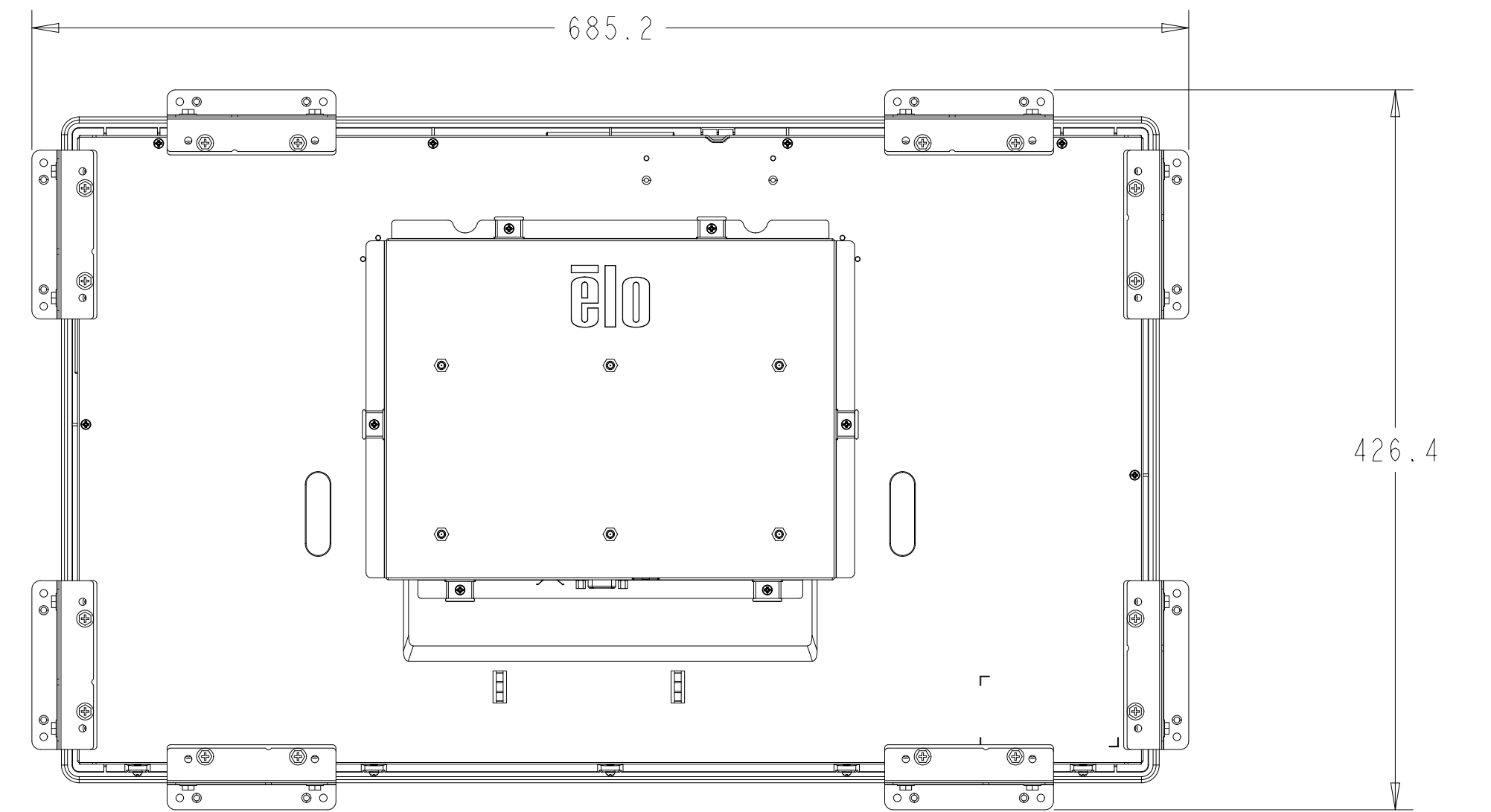
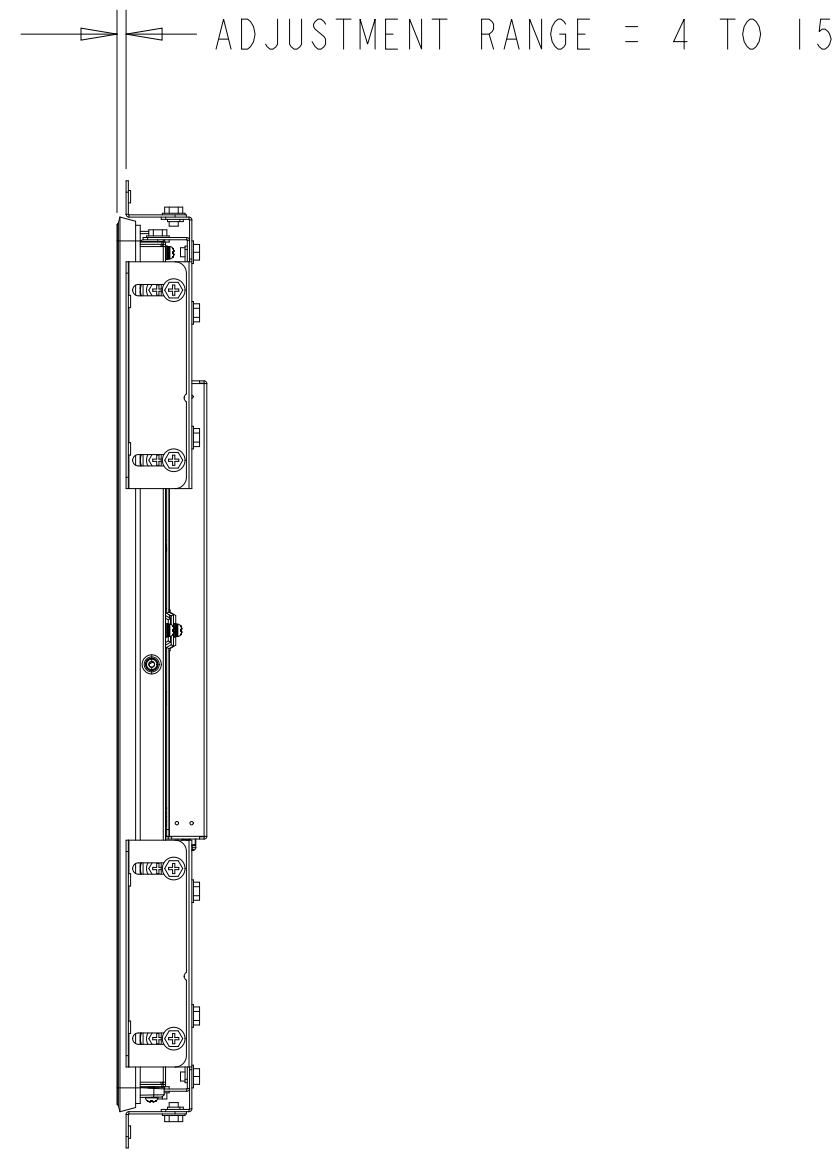
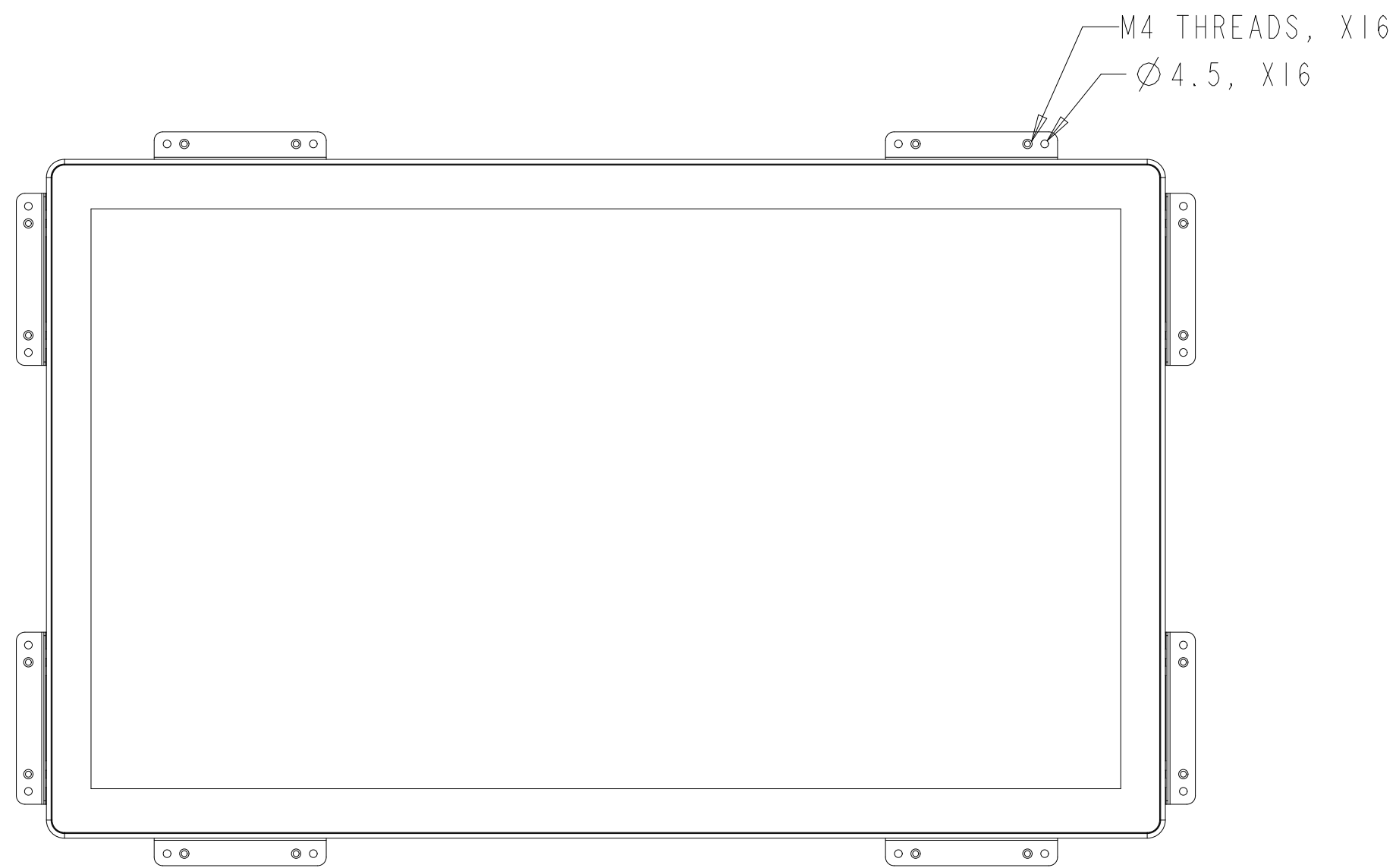


PROJECTED CAPACITIVE MODEL

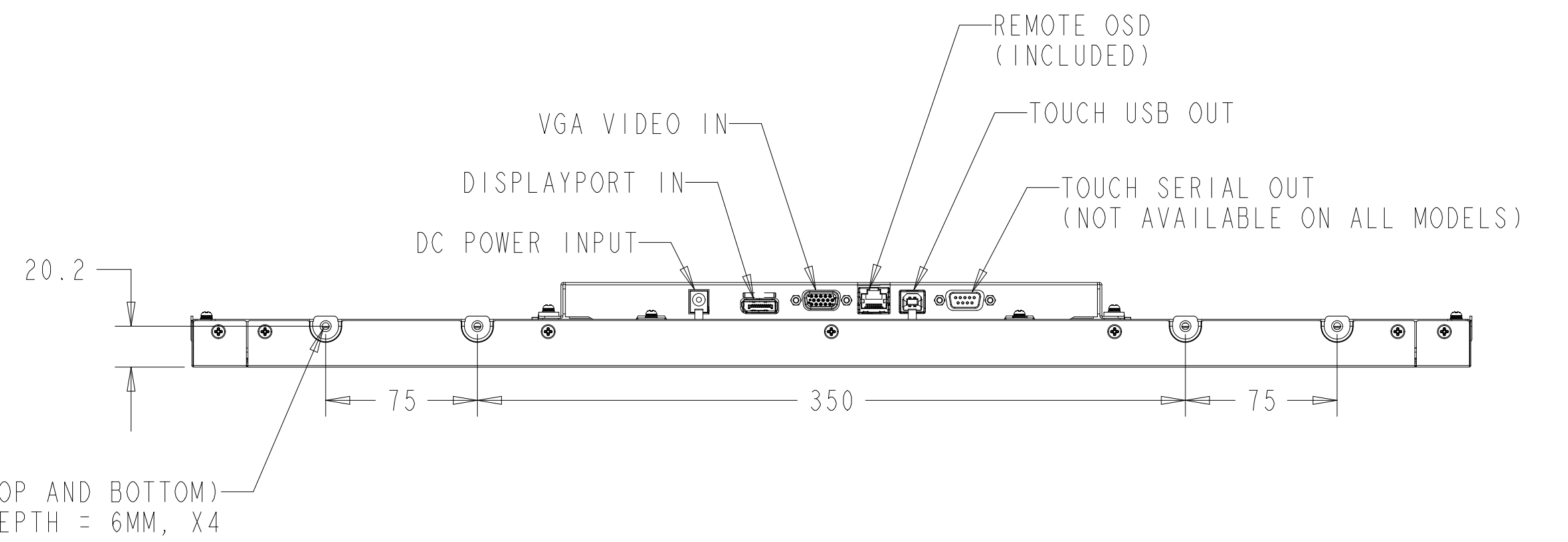
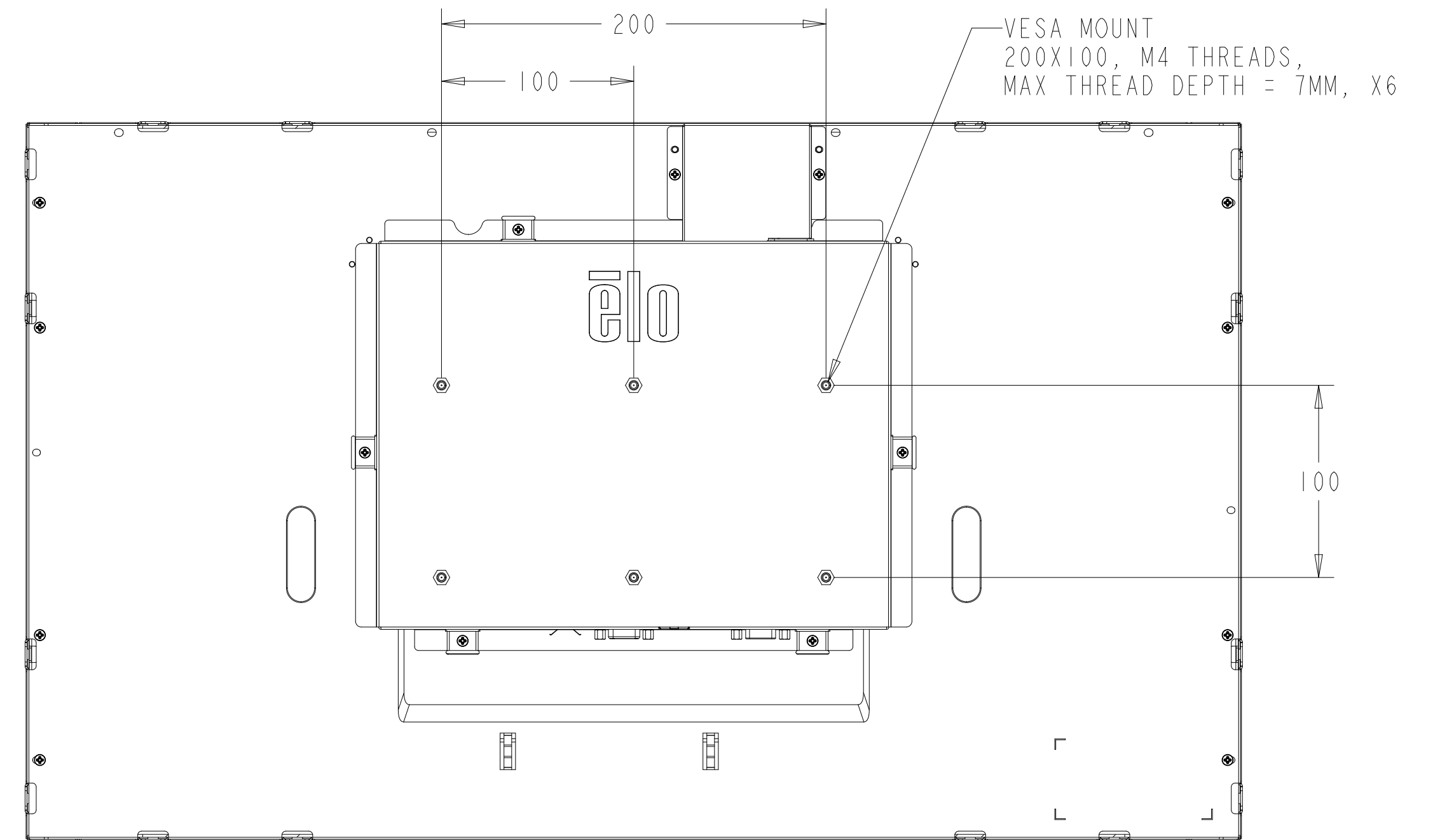
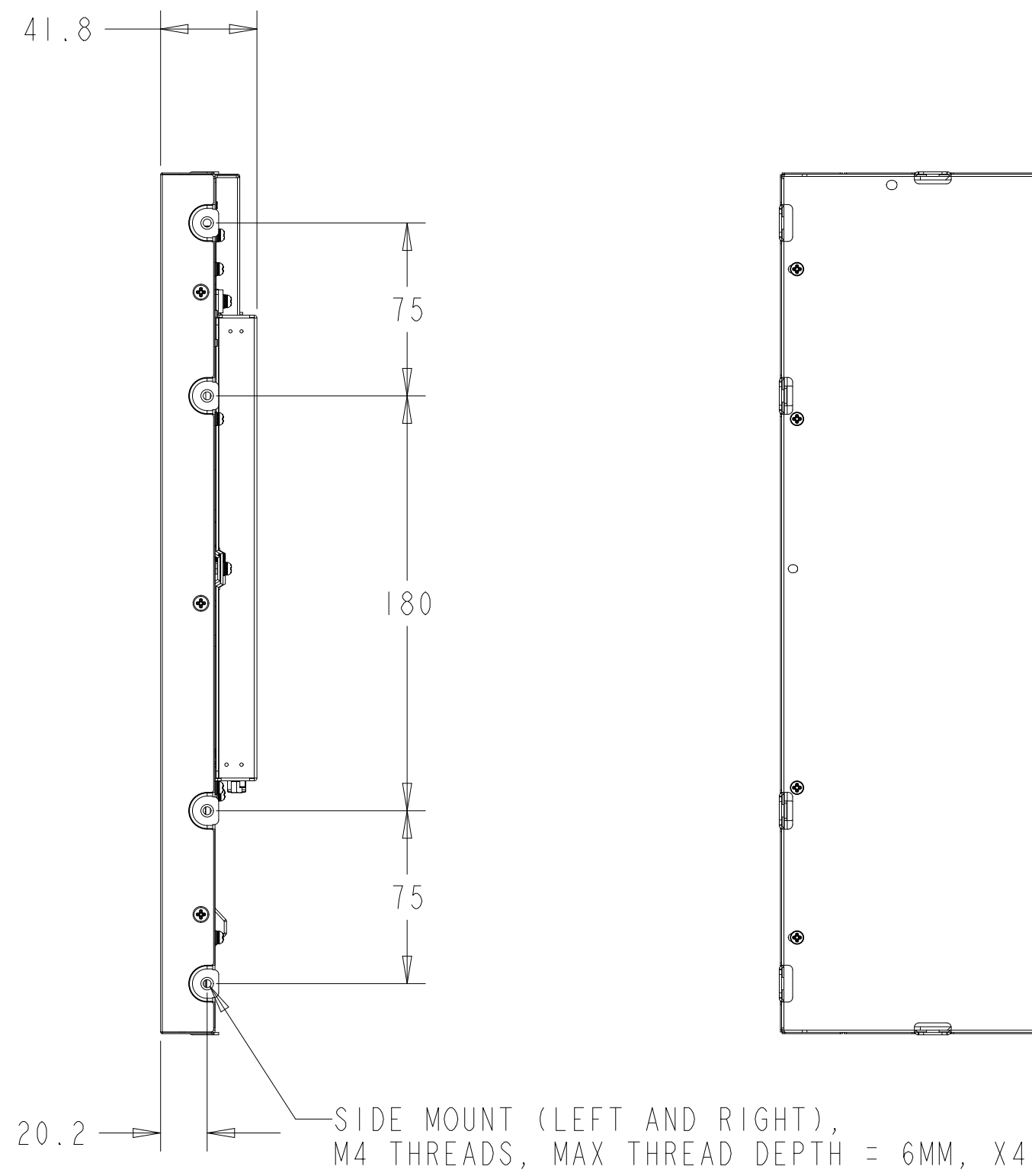
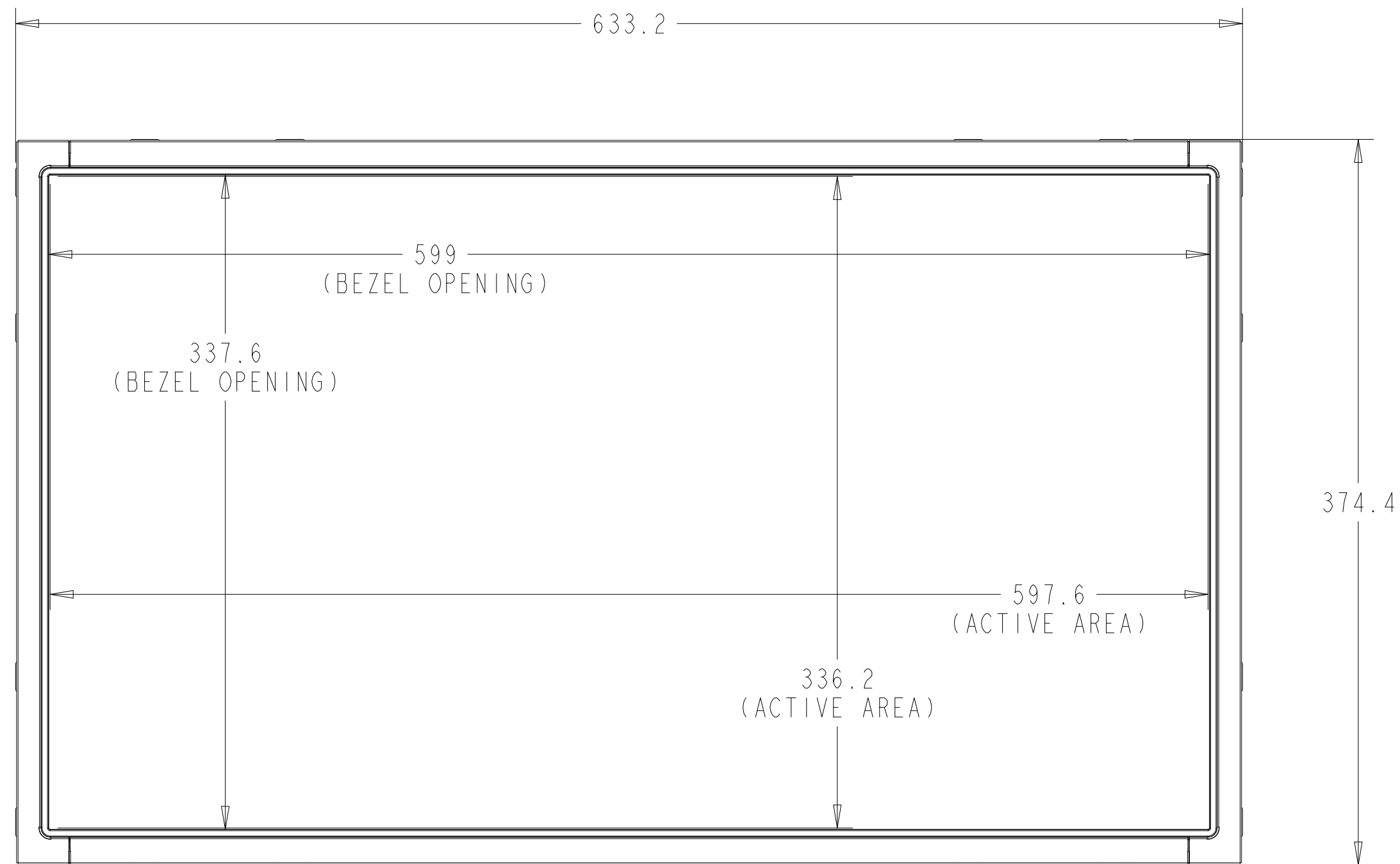


PROJECTED CAPACITIVE MODEL

WITH FLUSH MOUNTING BRACKETS (8 SETS INCLUDED)
 REPLACEMENT BRACKET KIT P/N E190896 AVAILABLE SEPARATELY

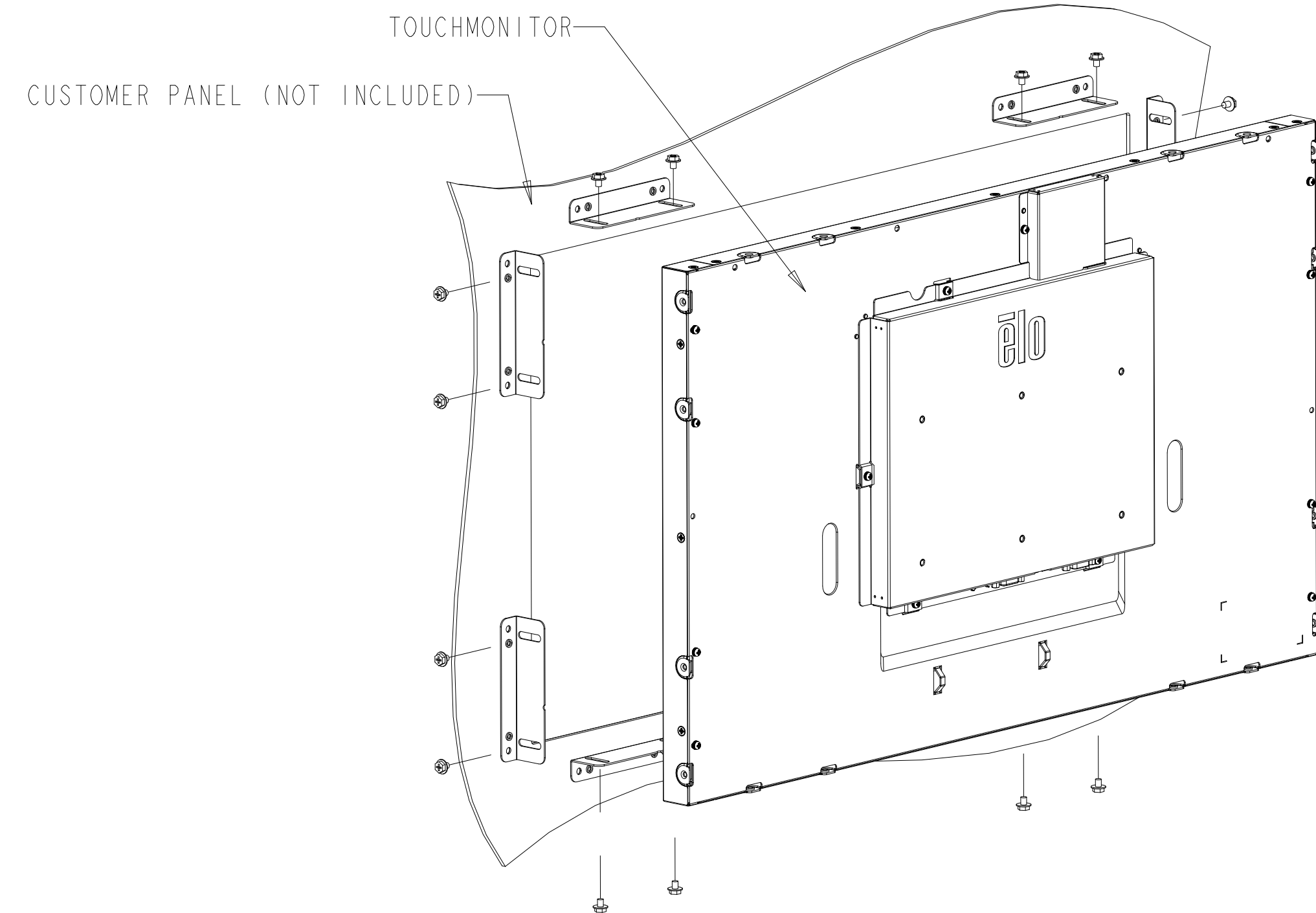
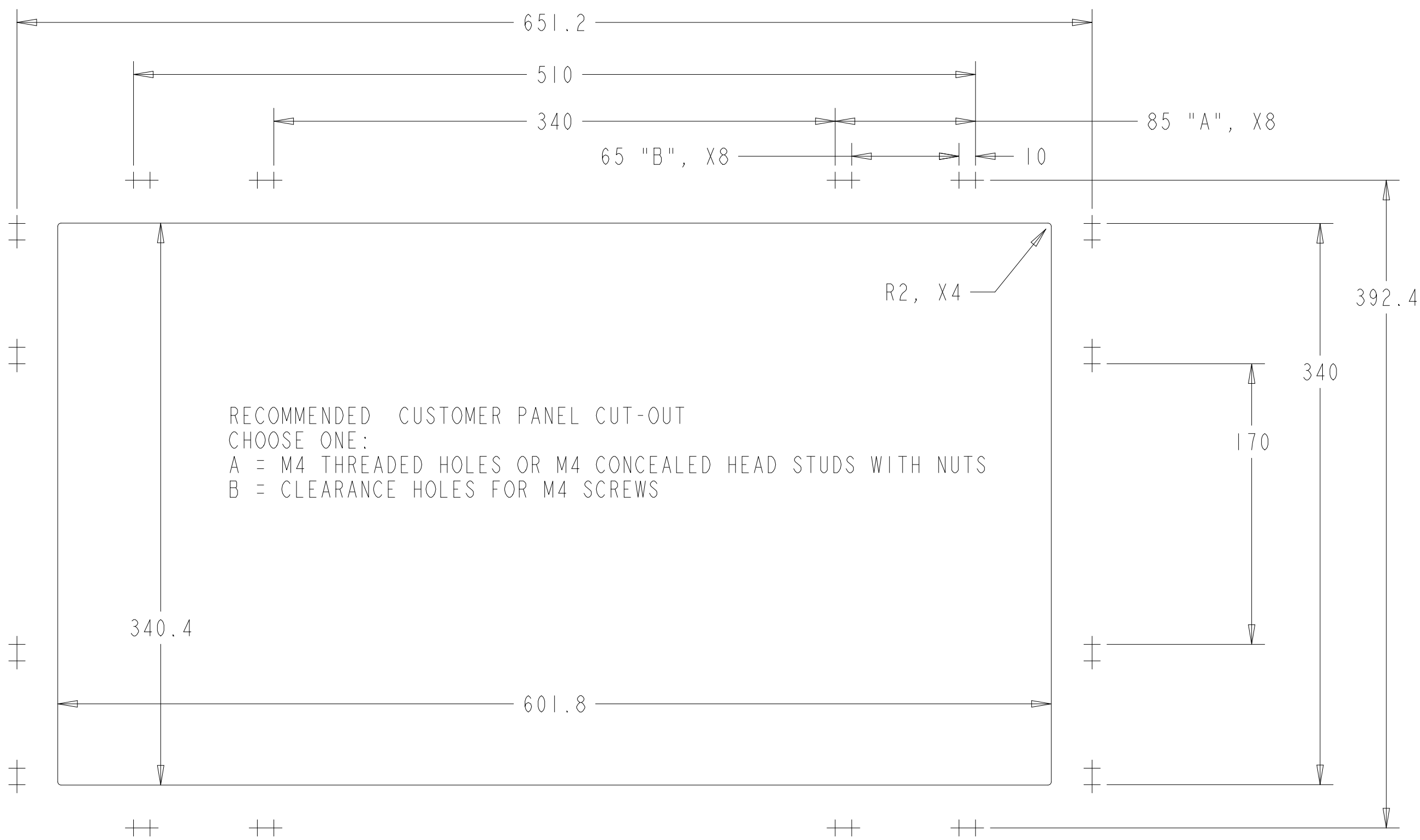
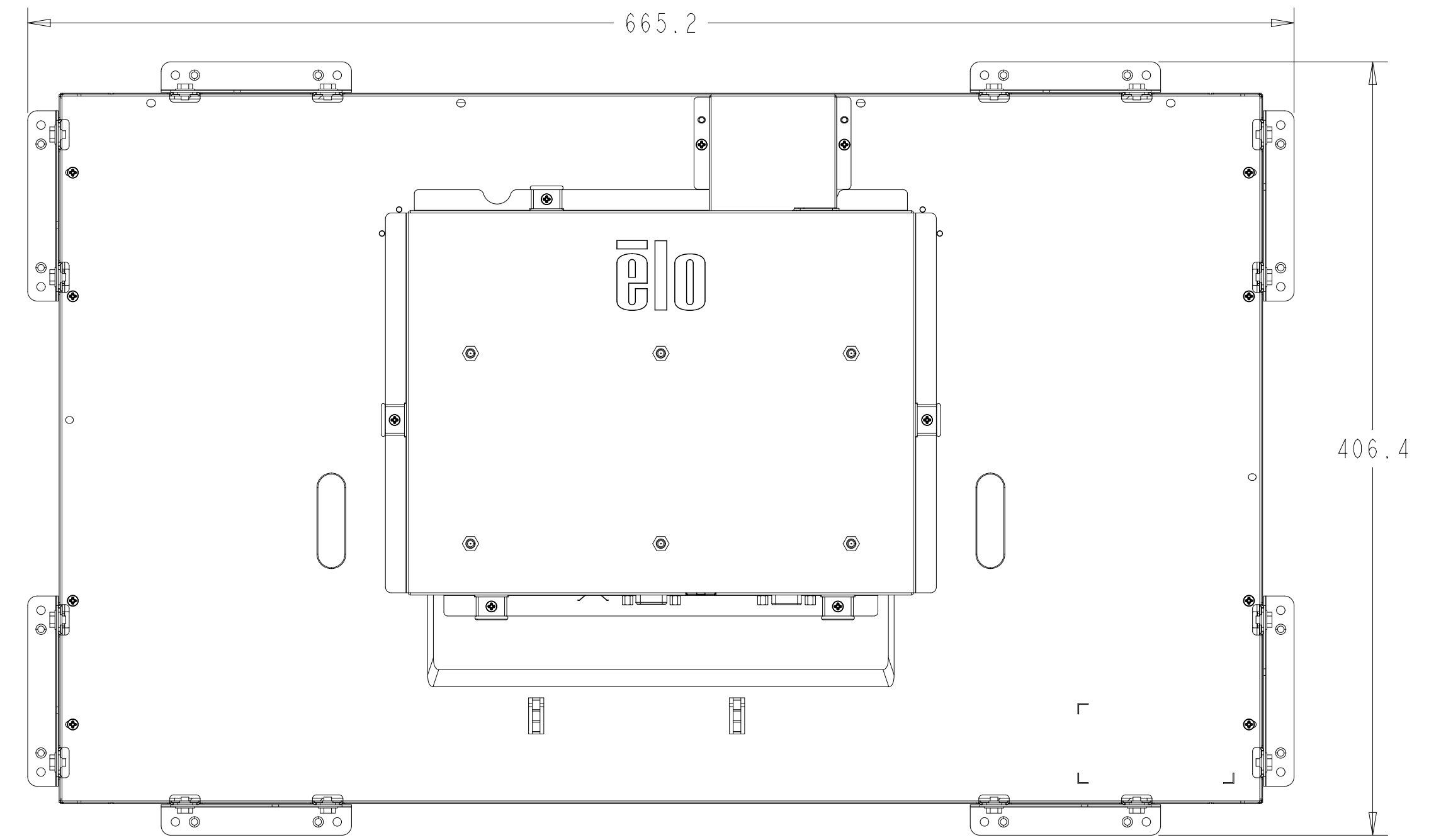
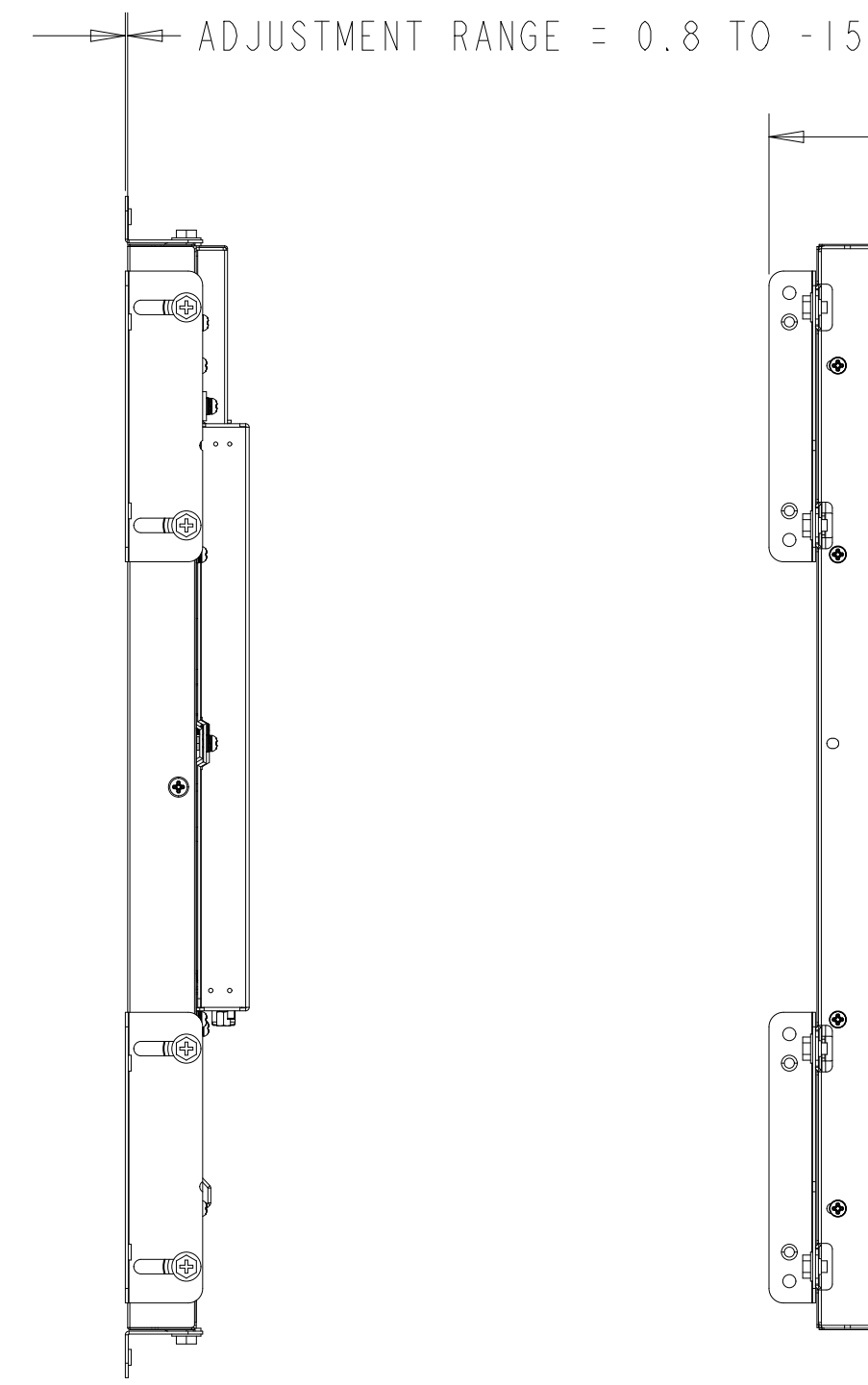
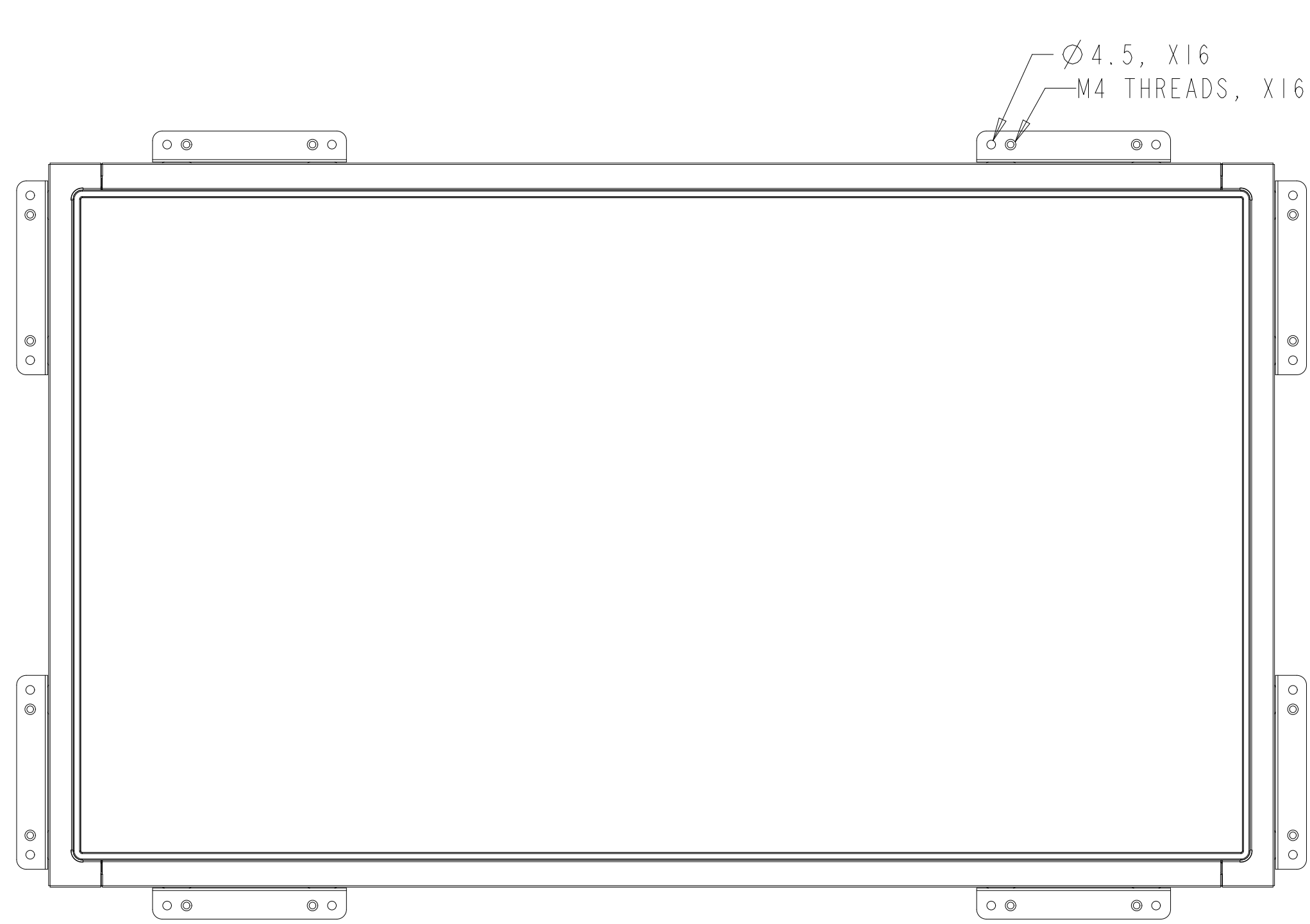


INTELLITOUCH, ACCUTOUCH, AND SECURETOUCH MODEL

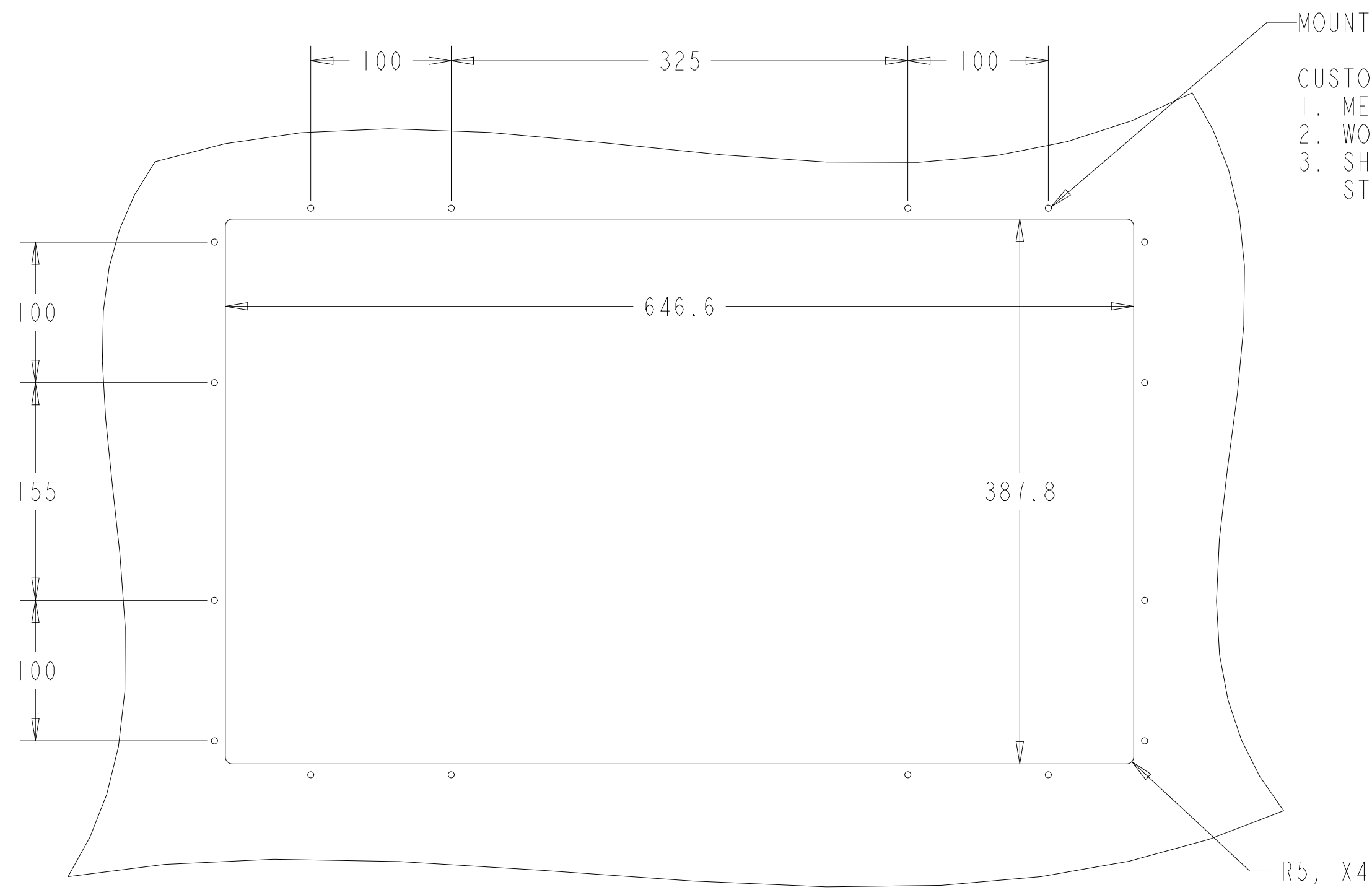
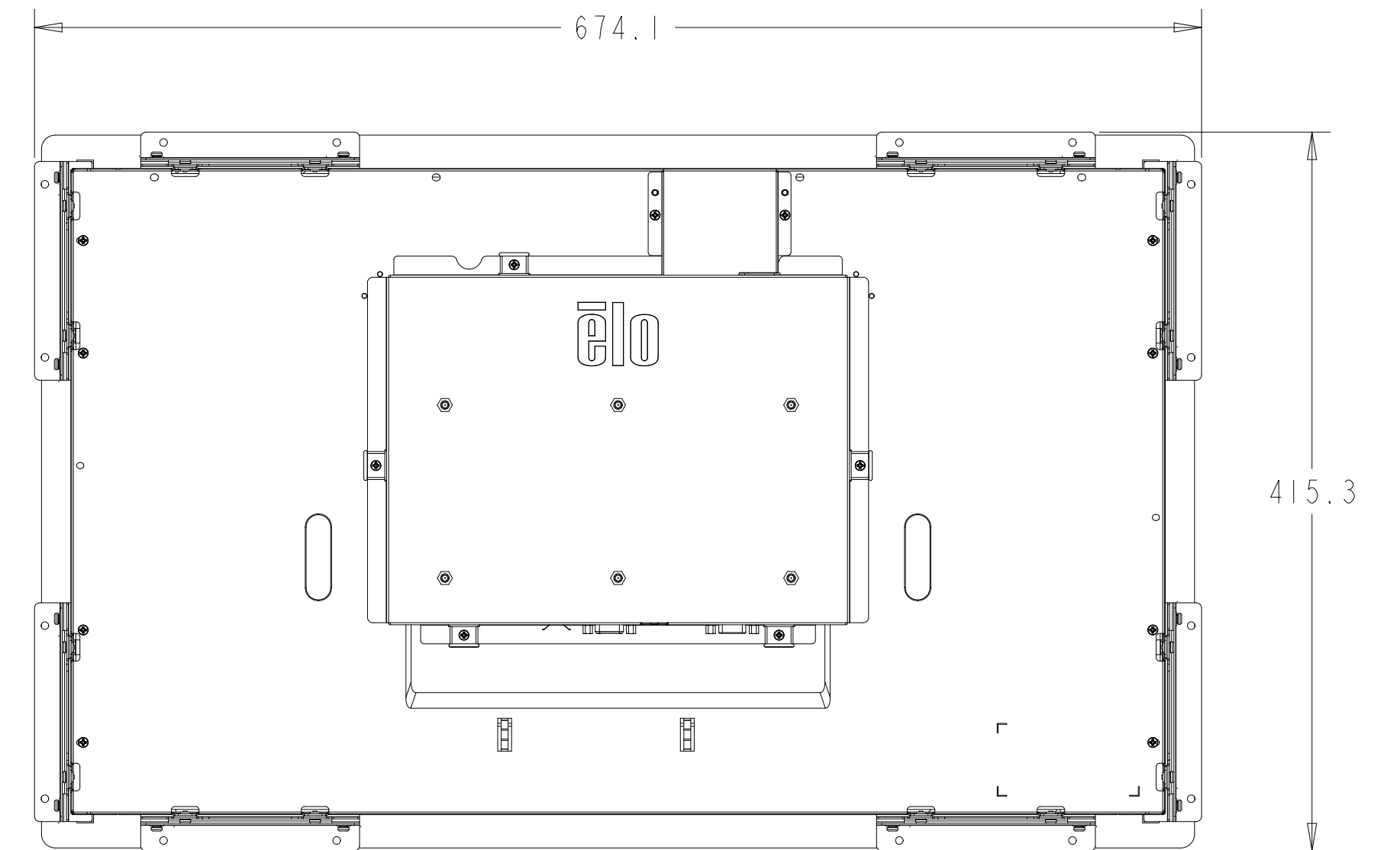
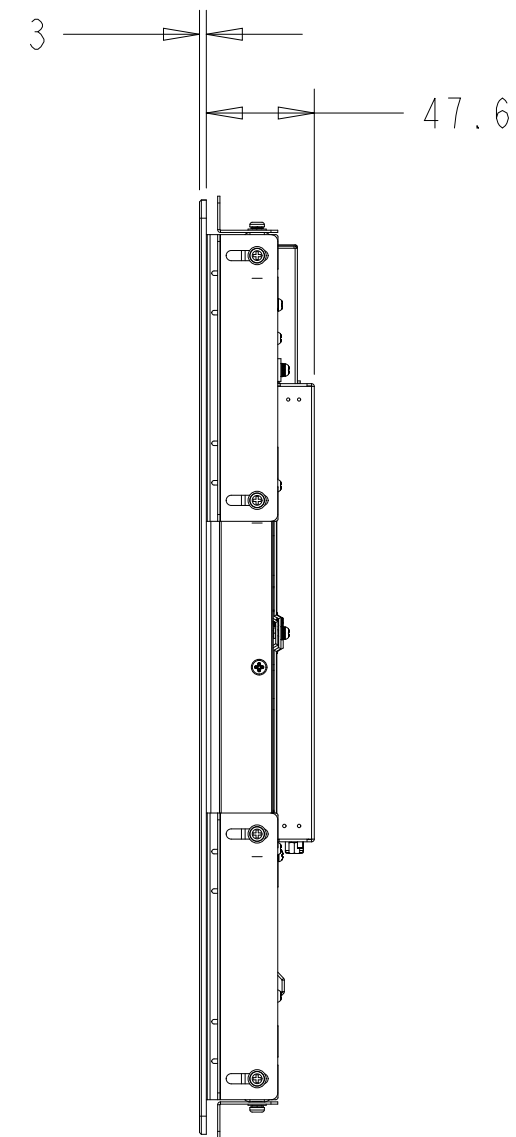
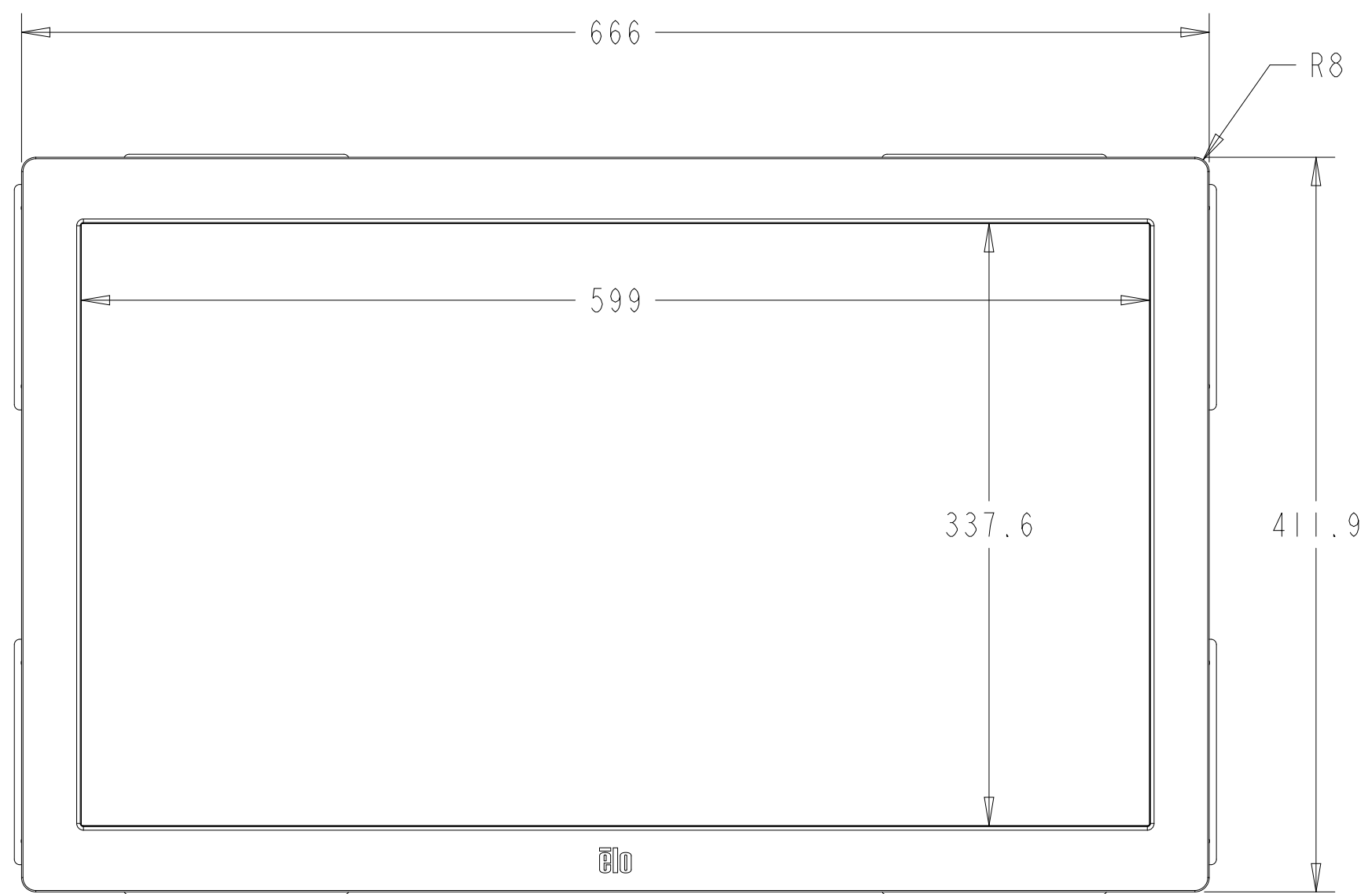


INTELLITOUCH, ACCUTOUCH, AND SECURETOUCH MODEL

WITH SIDE MOUNTING BRACKETS (8 INCLUDED)
 REPLACEMENT BRACKET KIT P/N E646994 AVAILABLE SEPARATELY

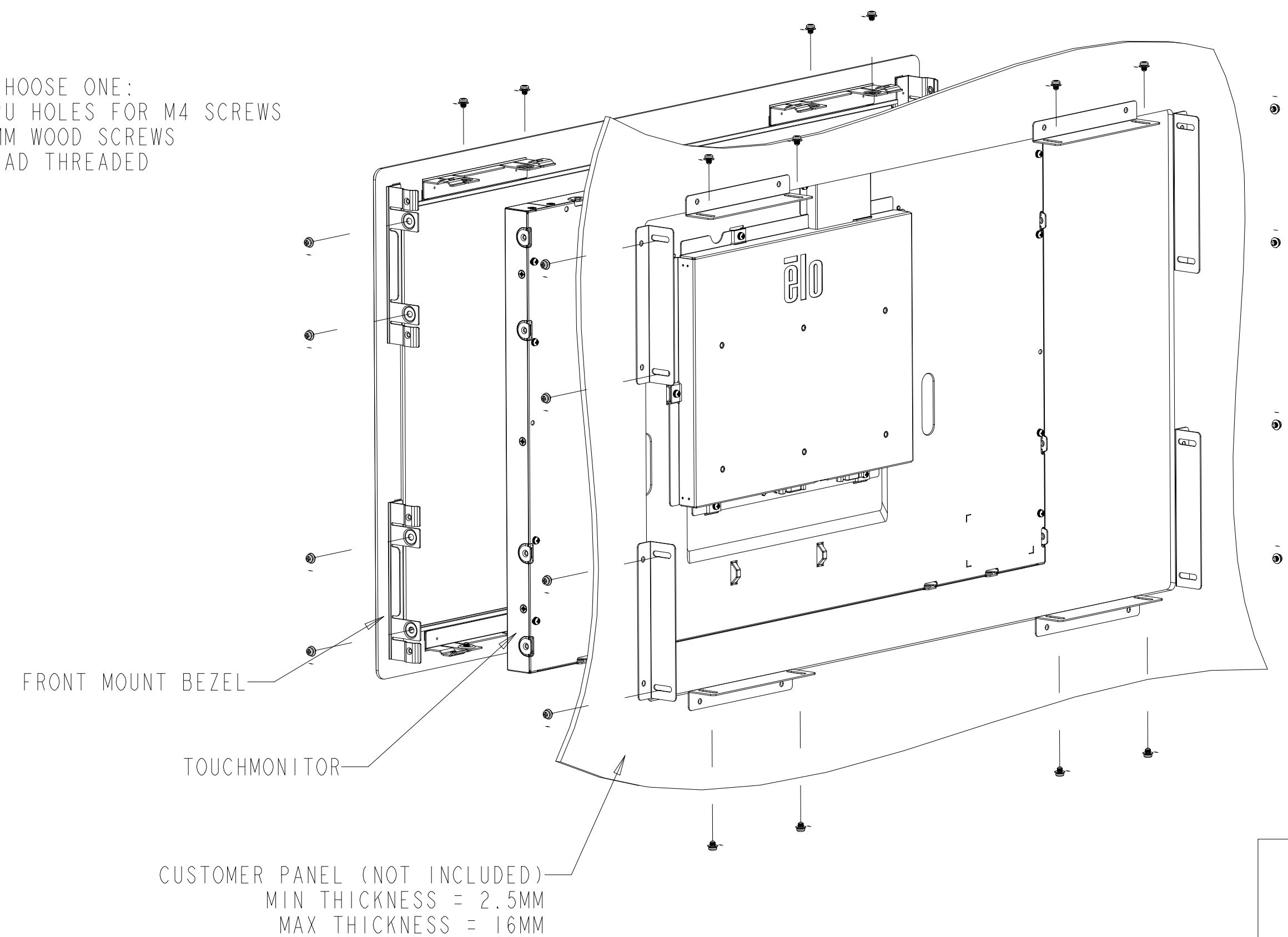


OPTIONAL FRONT MOUNT BEZEL KIT - P/N E589935
 FOR INTELLITOUCH, ACCUTOUCH, AND SECURETOUCH MODEL ONLY
 ORDERED SEPARATELY, CUSTOMER ASSEMBLED

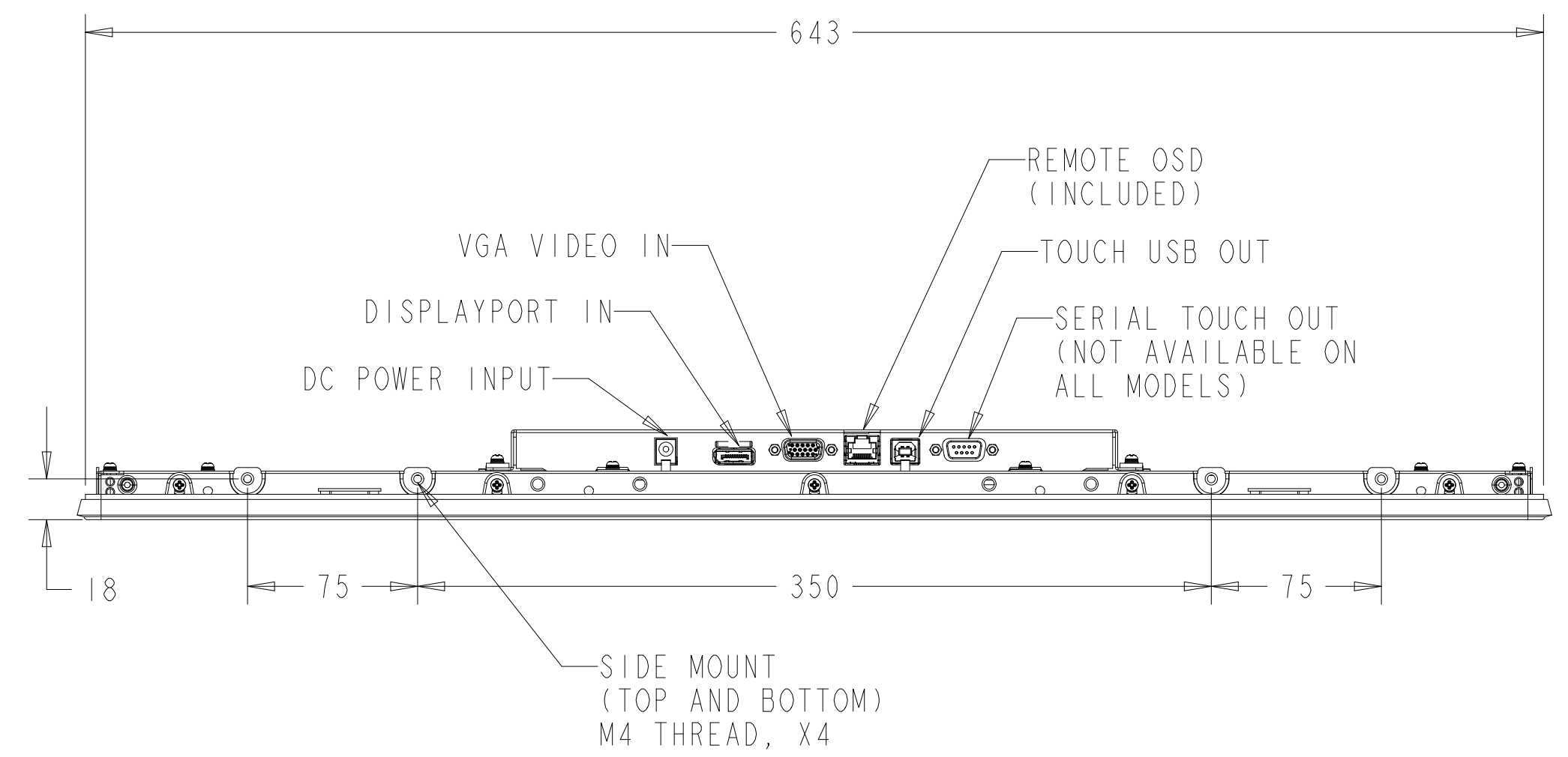
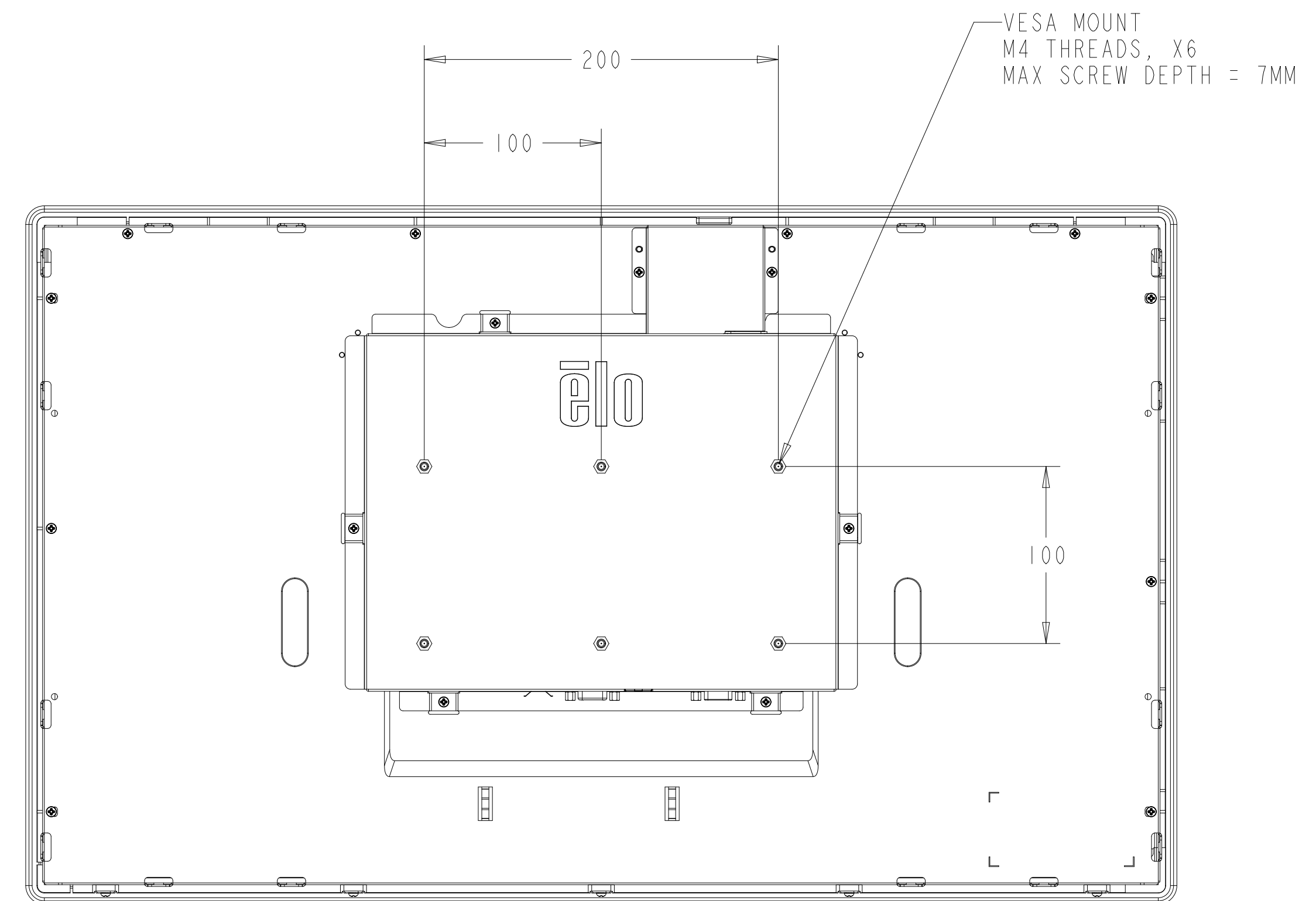
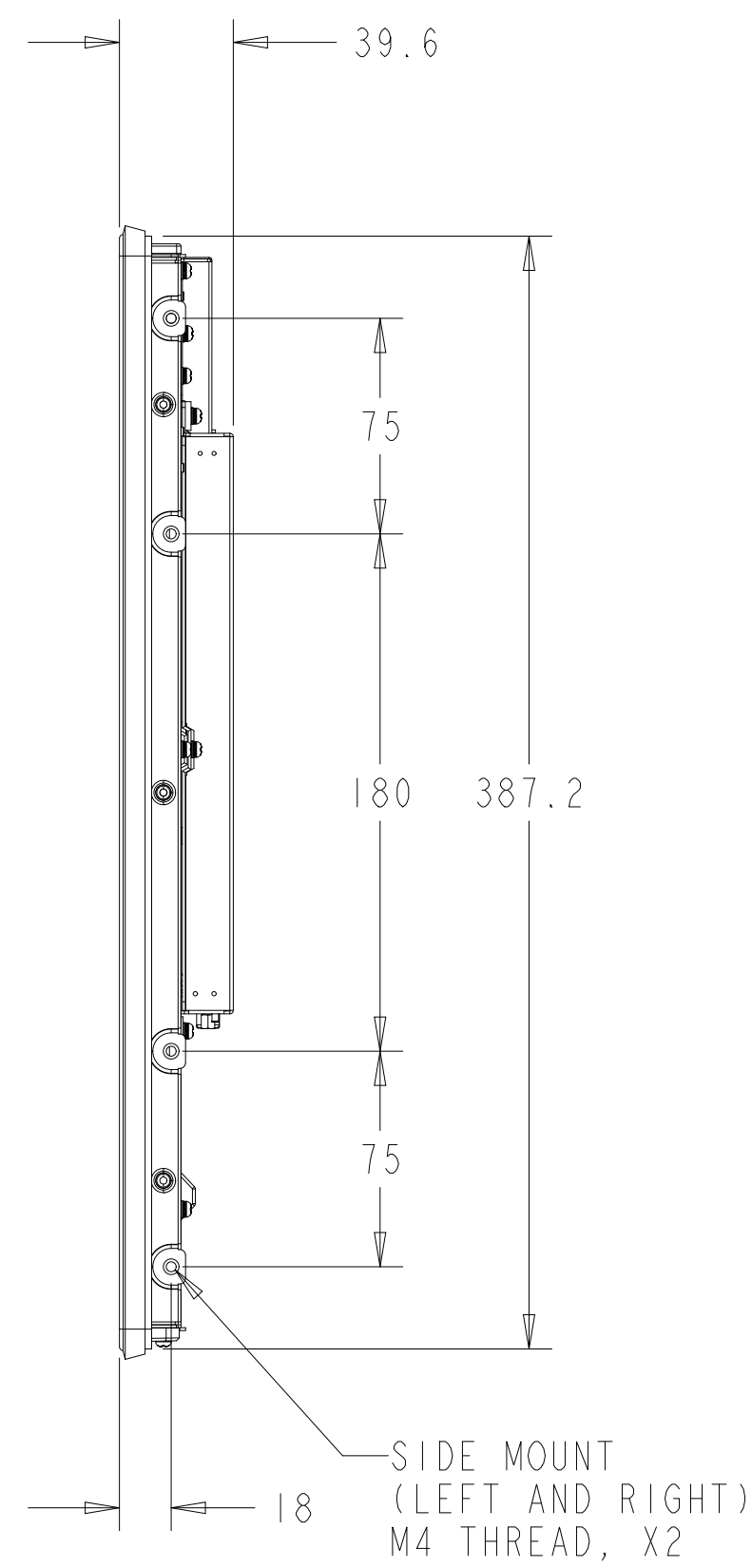
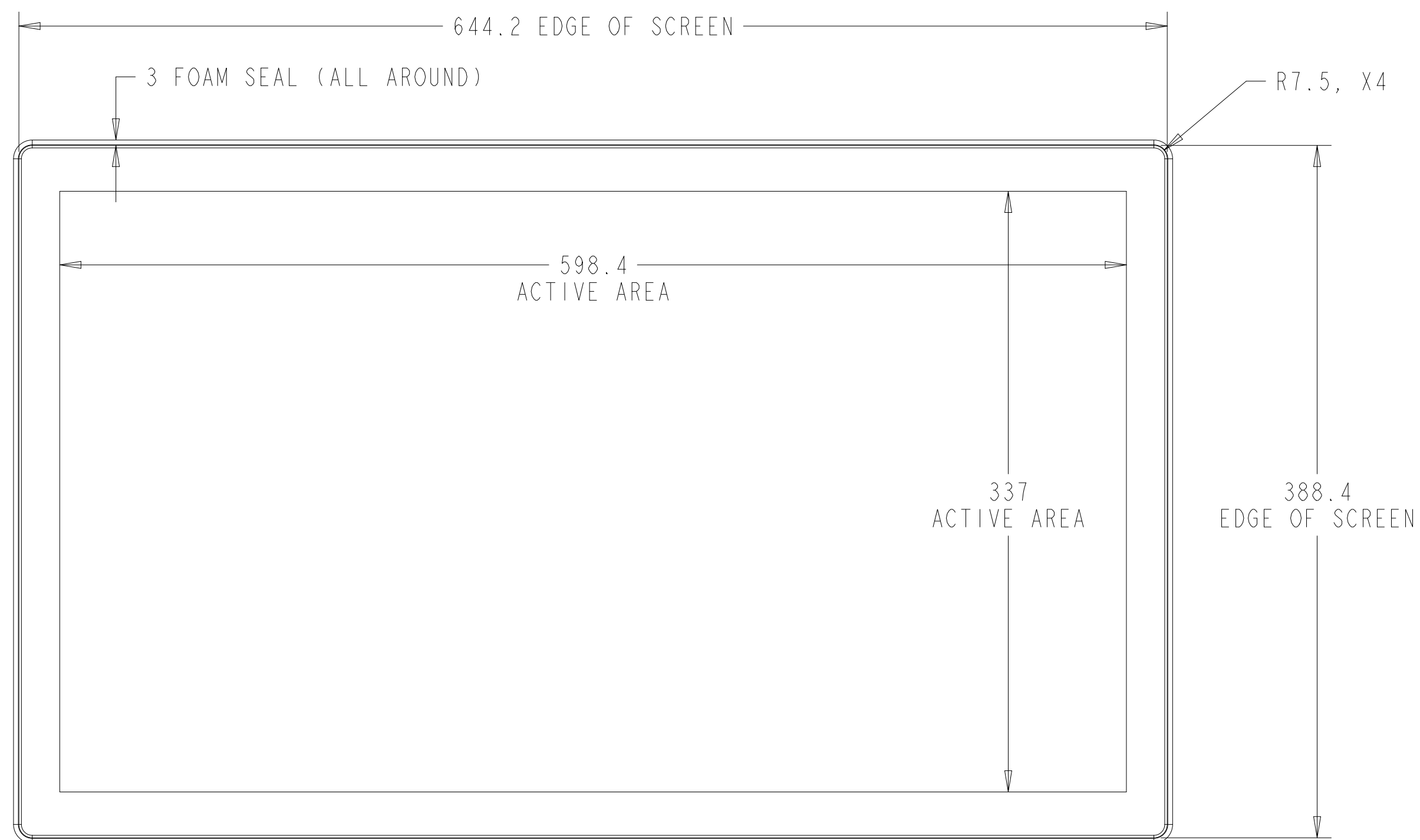


MOUNTING HOLES, X16

- CUSTOMER PANEL MATERIALS, CHOOSE ONE:
1. METAL/PLASTIC: 4.5MM THRU HOLES FOR M4 SCREWS
 2. WOOD: PILOT HOLES FOR 4MM WOOD SCREWS
 3. SHEETMETAL: CONCEALED HEAD THREADED STUDS M4, WITH NUTS



ZERO-BEZEL INTELLITOUCH MODEL



ZERO-BEZEL INTELLITOUCH MODEL

WITH FLUSH MOUNTING BRACKETS (8 SETS INCLUDED)
 REPLACEMENT BRACKET KIT P/N EI90896 AVAILABLE SEPARATELY

