



Pulse Ion Touchscreen Computer

The Pulse Ion Touchscreen Computer is powerfully built for modern business environments. This next gen refresh comes from the ever-popular Pulse Ultra WS. Our redesign introduces a symmetrical bezel and redesigned base. Driven by Intel® N150 or Intel® Core™ i3-N305 processors, with memory up to 32GB and NVMe M.2 storage, it delivers exceptional speed and reliability. Its 15.6" Full HD true-flat PCAP multi-touch display ensures seamless interaction, while extensive I/O, powered USB, and flexible OS support, including Windows, Linux, and Android 13, make integration effortless. Designed for performance, connectivity, and efficiency.

[Discover the Touch Dynamic Difference.](#)



DESIGNED AS AN IDEAL SOLUTION FOR:



QSR



Hospitality



Casino



C-Store



AND MORE!

KEY FEATURES & BENEFITS

Powerfully Sophisticated

- ★ Next Gen Successor of the Pulse Ultra WS
- ★ Upgraded Intel® N150 or Intel® Core™ i3 CPUs
- ★ Windows, Linux, or Android 13 OS Options

Custom Configuration

- ★ Optional 11.6" or 15.6" Rear Touchscreen Display
- ★ Access to our Full Peripheral Ecosystem

Pulse Ion

Touchscreen Computer

TOUCH

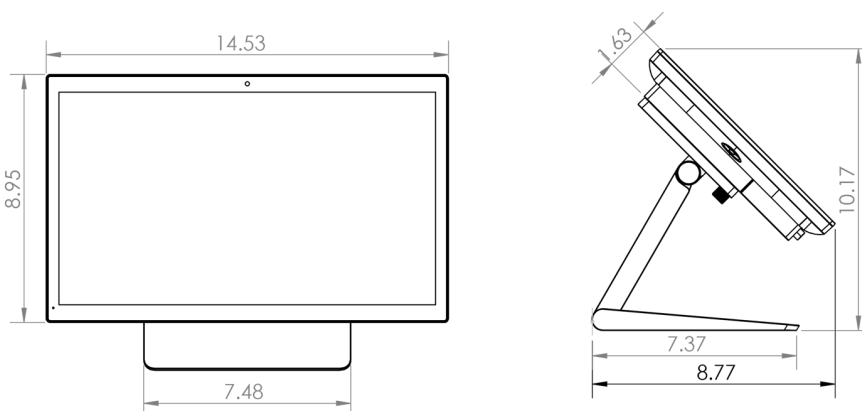
DYNAMIC

Product Specifications

CPU / Processor	Intel®N150	Intel® Core™ i3-N305
Memory	1 x SODIMM (Up to 32GB)	
Storage	1 x NVMe M.2 SSD	
Supported OS	Windows 10 IoT, Windows 11 IoT, Windows 11 Pro, Linux, Android 13, Android 15	
I/O Ports	2 x USB-A 3.0 4 x USB-A 2.0 1 x USB-C (data and video) 1 x custom miniDP (convertible to HDMI or VGA) 3 x RJ48 Serial Ports 1 x RJ45 Gigabit LAN 1 x RJ11 Cash Drawer Port 1 x 4-PIN (w. latch) DC Jack	
Audio	1 x 3W Speaker	
Power	65W / 19V 180W / 19V for powered USB	120W / 19V 180W / 19V for powered USB
Display	15.6" Widescreen (1920 x 1080), True-Flat PCAP Multi-Touch	
Peripherals (options)	Camera 3-Track MSR (USB) Fingerprint reader 2D Honeywell barcode scanner WiFi Pinpad brackets Printer Base 2 x 20 customer display 11.6" or 15.6" Rear Display (w. touch) VFD (2 x 20) Line Display Powered USB expansion (I/O expansion port)	
VESA	100 x 100 and 75 x 75	

Product specifications and data are subject to change without notice.

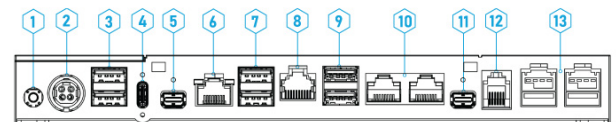
Pulse Ion Dimensions



Default Configurations

Product Code	Description
PIA-C8BNBN-0000000	Intel® N150 Processor, 8GB RAM, 128GB NVMe SSD, without OS, Ion Base
PIAC8BLBN-0000000	Intel® N150 Processor, 8GB RAM, 128GB NVMe SSD, Windows 11 IoT, Ion Base
PIA-C8B1BN-0000000	Intel® N150 Processor, 8GB RAM, 128GB NVMe SSD, Windows 11 Pro, Ion Base
PIA-38BNBN-0000000	Intel® Core™ i3-N305, 8GB RAM, 128GB NVMe SSD, without OS, Ion Base
PIA-38BLBN-0000000	Intel® Core™ i3-N305, 8GB RAM, 128GB NVMe SSD, Windows 11 IoT, Ion Base
PIA-38B1BN-0000000	Intel® Core™ i3-N305, 8GB RAM, 128GB NVMe SSD, Windows 11 Pro, Ion Base

I/O Interfaces



- 1 POWER BUTTON
- 2 DC JACK
- 3 2 X USB-A 2.0
- 4 USB-C
- 5 CUSTOM MINI DP
- 6 RJ45 GIGABIT LAN
- 7 2 X USB-A 2.0
- 8 1 X RJ48 PORT
- 9 2 X USB-A 3.0
- 10 2 X RJ48 PORT
- 11 CUSTOM MINI DP
- 12 RJ11 CASH DRAWER PORT
- 13 OPTIONAL POWERED USB +12V/+24V