

DigiVue Mini PC



Product Overview

Transform your business with the cutting edge DigiVue Mini. Experience the perfect blend of compact design and powerful performance. This solution will enable your digital signage, kiosks and touchscreen solutions to be scalable platforms. The DigiVue Mini supports Windows 10 IoT Enterprise, Windows 11 IoT Enterprise, Windows 11 PRO. Expand storage with an additional NVMe SSD slot. Stay connected wirelessly with a choice of two types of WiFi antenna installations. Multiple video ports allow you to connect up to three displays for stunning 4K clarity. Discover digital transformation for your business with a form factor that fits into the palm of your hand. Users can leverage the DigiVue Mini to enable any display solution to become a sleek user friendly solution.

KEY FEATURES & BENEFITS

Reliable Performance

- ★ Compact Design
- ★ Supports Windows
- ★ VESAMount
- ★ 2 x HDMI Ports

Custom Configuration

- ★ Expandable storage with an additional NVMe SSD slot
- ★ Versatile Mounting Options

DESIGNED AS AN IDEAL SOLUTION FOR:



Retail



Casino



Healthcare



Restaurant



AND MORE!

DigiVue Mini

PC

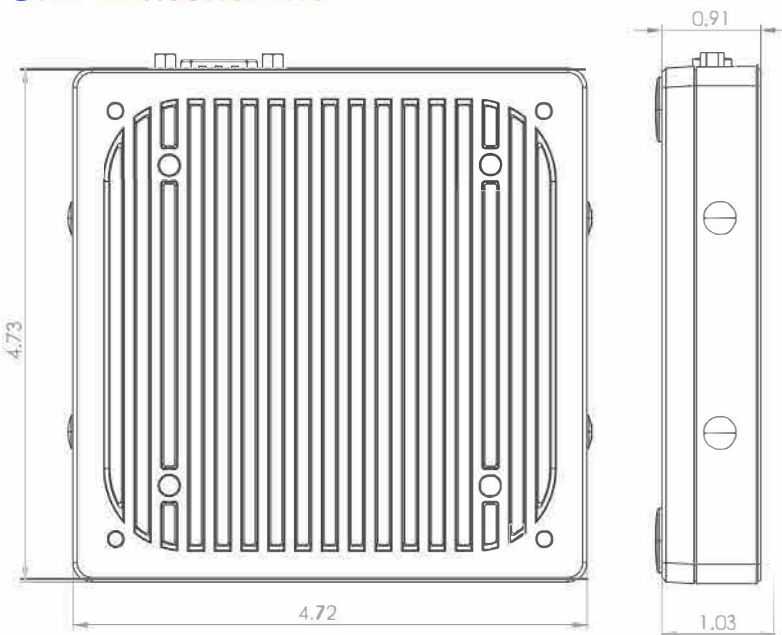


Product Specifications

Processor	Intel® Celeron® Elkhart Lake CPU J6412
Memory	8GB LPDDR4
Storage	1x128GB eMMC onboard, 1x OPTIONAL NVMe SSD
Graphic Engine	Intel UHD Graphics for 10th Gen Intel® Processors
Supported OS	Windows 10 IoT Enterprise, Windows 11 IoT Enterprise, Windows 11 Pro
I/O Ports	3x USB 3.0, 1x USB 2.0 1x USB-C (full function, alt. video mode, power delivery) 1x Audio Out 3.5mm jack 2x HDMI Port 1x DB9 Serial Port with Power Option 1x RJ45 Gigabit LAN 1x DC-in
Power	36W /12V
Wireless Communication	WIFI 6, BT 5.2 (OPTIONAL)
Expansion Slots	m.2 slot for SSD: 1x m.2 Slot supports SATA and NVMe m.2 slot for WIFI: 1x MicroSD Card Slot: 1x (internal, supports micro SD UHS1 U1 or Class10 cards)
Dimensions	4.7" x 0.9" x 4.7"
Weight	0.85 LBS
VESA	75 x 75mm and 100 x 100mm

Product specifications and data are subject to change without notice.

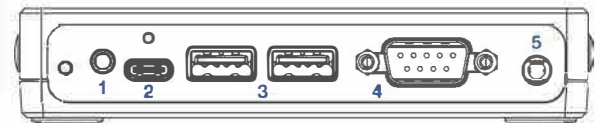
Unit Dimensions



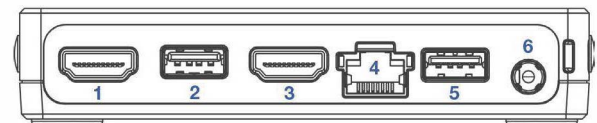
Default Configurations

Product Code	Description
DVM-M8800000	DgiVue Mini PC: Intel J6412 / 128 eMMC 8GB Memory No OS
DVM-M88000L0	Dgivue Mini Intel Elkhart Lake J6412 8GB DDR4 Ram 128GB eMMc Windows 11 IOT Enterprise
DVM-M8800010	Dgivue Mini Intel Elkhart Lake J6412 8GB DDR4 Ram 128GB SSD M.2 NVME Windows 11 PRO Dgital Key

I/O Interfaces



- 1. Power Button
- 2. HDMI Port
- 3. HDMI Port
- 4. COM Port
- 5. Audio Jack



- 1. HDMI Port
- 2. USB-A Port
- 3. HDMI Port
- 4. LAN Port
- 5. USB-A Port
- 6. Power Port



CONTACT US TODAY!