

Industrial Display Monitor

15" Color TFT Industrial Display Monitor

TWAP-1150ADP



Features

- 15" TFT XGA LCD
- 1024(H)x768(V), 400 cd/m²
- Front panel NEMA 4/IP 65 rating
- Wall-mount screw holes
- Resistive touch screen (optional)
- Optional DVI, Video or S-Video input
- Optional stainless steel front bezel
- Support wide-ranging resolutions from 640x480 to up to 1600 x 1200 with auto phase and auto position



Display Specifications

Display	15" Color Active TFT Flat Panel Display
Luminance	400 cd/m ²
Viewing Angle	140/125 (H/V)
Resolutions	1024 x 768 (native mode), 16.2M colors
Backlight Lifetime	50,000hrs
Touch Screen	Analog resistive (optional)
OSD Control	On the back side
I/O Connectors	1xAC power input, 1xVGA, optional:DVI,S-Video,RCA, touch (RS-232 or USB)
Power Input	AC 100~240V, optional DC 11~28V

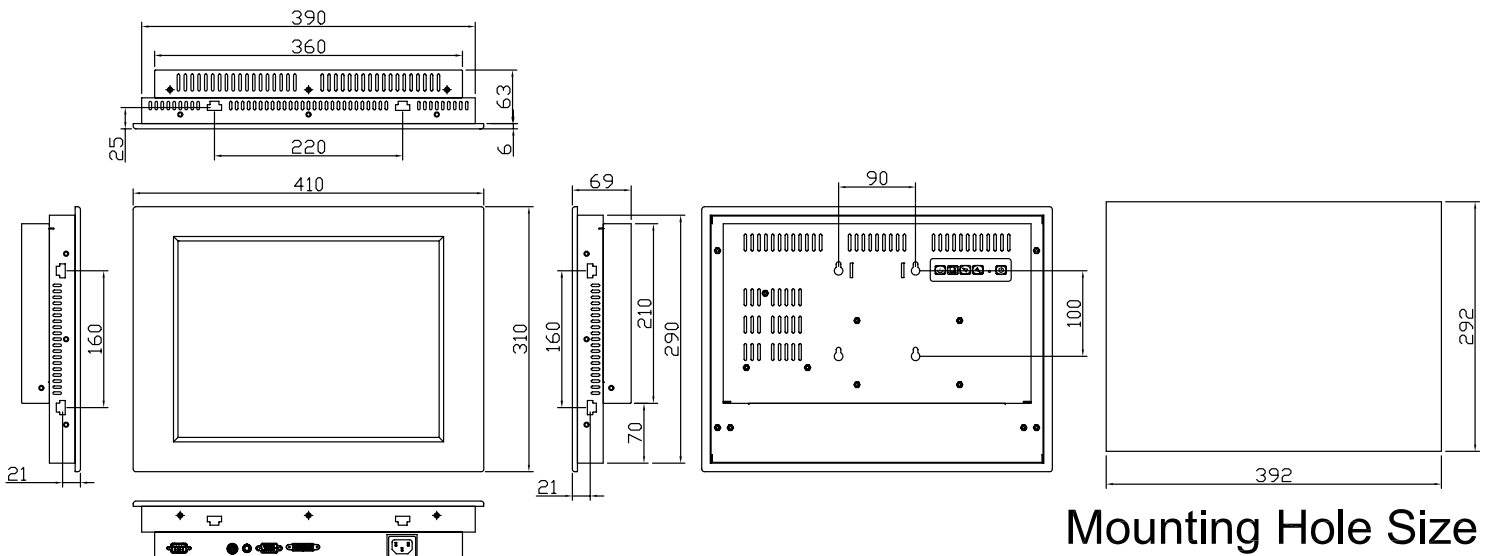
Mechanical Specifications

Construction	Steel chassis & front bezel
Dimensions	410(W)x310(H)x69(D)mm
Mounting	Panel Mount / Rack Mount (optional)
Weight (net)	8.52kgs

Environment Specifications

Operating Temperature	0~50°C (32~122°F)
Storage Temperature	-20~60°C (-4~140°F)
Relative Humidity	10~90% @40°C Non-condensing, without touch screen
Vibration	1G peak, 5~500 Hz (Random)
Shock	15G peak acceleration (11 msec. duration)
Rating	NEMA 4/IP 65 compliant front bezel
Certificate	Meet CE / FCC Class A

Dimensions



Mounting Hole Size