

STL624

SMARTMOUNT LT

Tilting Wall Mount

For 10" to 29" Displays

The SmartMountLT™ series tilting wall mounts offer both easy installation and versatile display adjustment. Designed for smaller displays, the mounts hold the display just 2.05" (52mm) from the wall. The One-Touch™ tilt feature allows you to smoothly and easily adjust the viewing angle of the display $\pm 15^\circ$. After the display has been installed, the $\pm 5^\circ$ roll ensures the display is perfectly level. The landscape or portrait mounting options offers versatility for installation applications.



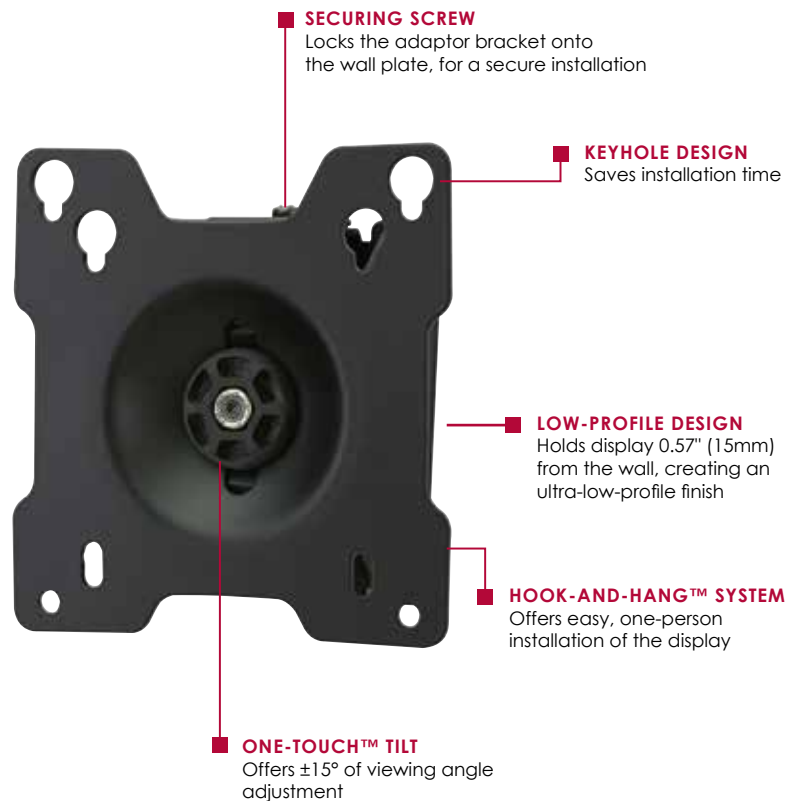
Display size: 10"-29"



Max load: 25lb (11kg)

FEATURES

- Fits 10" to 29" displays, up to 25lb (11kg)
- The low-profile design holds the display just 2.05" (52mm) from the wall.
- Quick and easy, Hook-and-Hang™ one-person installation
- Landscape or portrait mounting options increases display versatility
- Easy leveling $\pm 5^\circ$ after display installation
- Mounts to wood studs, concrete, cinder block or metal studs (metal stud accessory required)
- VESA® 75 and 100mm compliant
- Installation hardware included
- UL Listed
- Five-year warranty



$\pm 15^\circ$ of viewing angle adjustment



Low profile design — sits just 2.05" (55mm) from the wall



Patented. Utility Patent No. 8,157,233 8,282,059 8,313,073.

CLICK: peerless-av.com

CALL: 800.865.2112

FAX: 800.359.6500

peerless-AV®

STL624	SmartMountLT™ Tilting Wall Mount for 10" to 29" Displays
---------------	--

Product Specifications

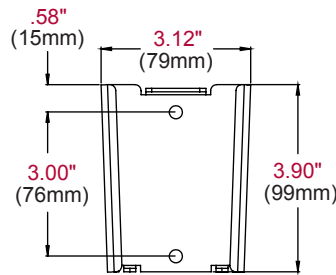
	DIMENSIONS (W x H x D)	PRODUCT WEIGHT	LOAD CAPACITY	FINISH	AVAILABLE COLORS
STL624	4.75" x 4.88" x 2.05"-2.76" (121 x 124 x 52-70mm)	1.13lb (0.51kg)	25lb (11kg)	Matte	Black

Package Specifications

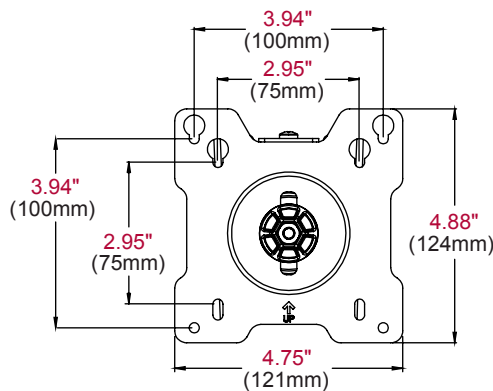
	PACKAGE SIZE (W x H x D)	PACKAGE SHIP WEIGHT	PACKAGE UPC CODE	PACKAGE CONTENTS	UNITS IN PACKAGE
STL624	5.90" x 5.13" x 2.30" (150 x 130 x 58mm)	1.30lb (0.59kg)	735029292678	Wall mount, attachment hardware and installation instructions	1

Accessories

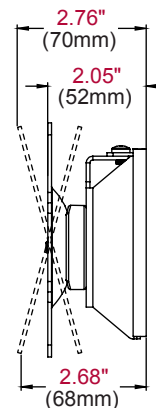
ACC972:	VESA® 200 x 100mm Adaptor Plates	ACC215:	Metal Stud Fastener Kit
ESHV10:	Single AV Wall Shelf	ACC918:	Security Fasteners for Wall Arms
ESHV20:	Single AV Wall Shelf with Glass		
ESHV30:	Dual AV Wall Shelf with Glass		



WALL PLATE



FRONT VIEW



**SIDE VIEW
+/- 15° TILT**

ARCHITECTS SPECIFICATIONS

The Tilting Wall Mount shall be a Peerless-AV model STL624 and shall be located where indicated on the plans. Assembly and installation shall be done according to instructions provided by the manufacturer.