

Flat Panel Tabletop Stand

Patented



Peerless' Tabletop Stand goes beyond the standard stand and offers the ability to easily adjust the viewing angle for the audience. The stand can be placed on a boardroom table or credenza and the screen easily swivels and tilts for the audience's comfort. The swivel base can also sit in a fixed position if desired. For safety, a visual guide helps ensure proper installation. The tabletop stand elegantly supports flat panel screens in the 30" to 50" size range.

- For 30" to 50" Plasma and LCD flat panel screens
- Tilts and swivels for comfortable viewing
- Routes cords to avoid clutter

PLT-BLK



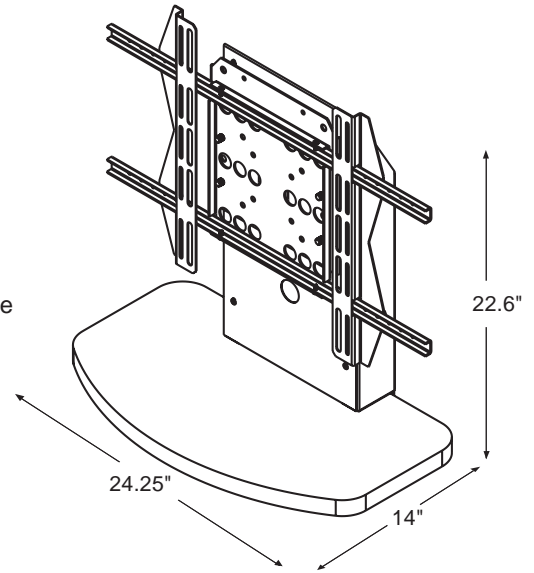
Flat Panel Tabletop Stand

Model Numbers

PLT-BLK

Product Specifications

- For 30" to 50" Plasma and LCD flat panel screens
- Adjustable 10° forward and 5° backward tilt at the turn of a knob
- 360° rotation at swivel base (base can be fixed if needed)
- Internal cord management
- Indicator window provides visual guide during installation
- Felt base protects table surfaces
- Theft-resistant security screws
- PLP screen adapter plate offered separately
- UL Listed



Shown with PLP screen adapter plate



Protected by U.S. patent number 478,088

FEATURES

DIMENSIONS (W x H x D)

24.25" x 22.6" x 14" (61.6 x 57.4 x 35.6 cm)

LOAD CAPACITY

150 lb (68.2 kg)

PRODUCT WEIGHT

30 lb (13.6 kg)

FINISH

Scratch resistant fused epoxy, black graphite base

AVAILABLE COLORS

Black

PACKAGE CONTENTS

Tabletop Stand, Black Graphite Base
(PLP screen adapter plate sold separately)

UNITS IN PACKAGE

1

PACKAGE SIZE (W x H x L)

25" x 14" x 7" (63.5 x 35.6 x 17.8 cm)

PACKAGE SHIP WEIGHT

33 lb (15 kg)

PACKAGE UPC CODE

735029207207

WARRANTY

Limited 5-year

(800) 865-2112
www.peerlessmounts.com

Peerless Industries, Inc.
3215 W. North Avenue, Melrose Park, IL 60160
(708) 865-8870 or (800) 865-2112 Fax: (708) 865-2941 www.peerlessmounts.com

© 2005 Peerless Industries, Inc. All rights reserved.
Peerless is a registered trademark of Peerless Industries, Inc.

LIT-0020 rev1