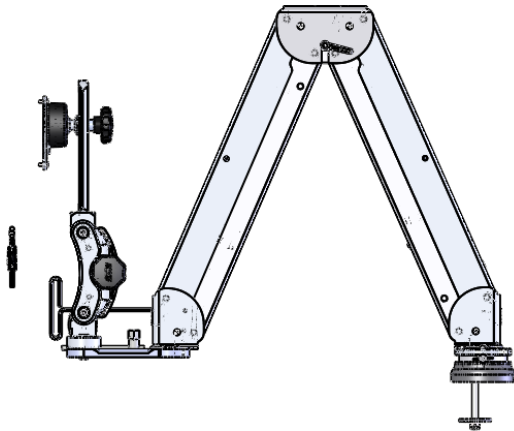
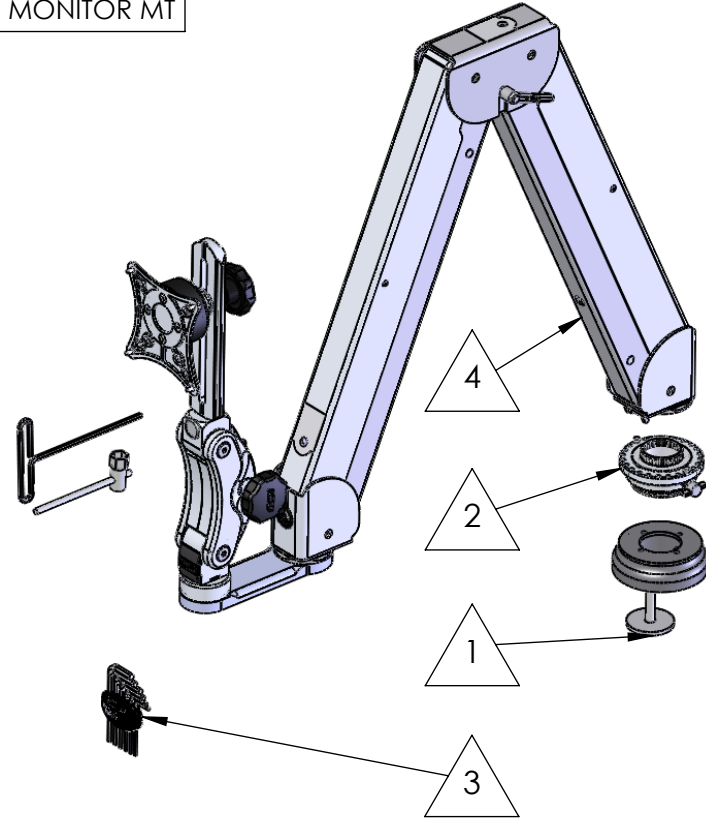
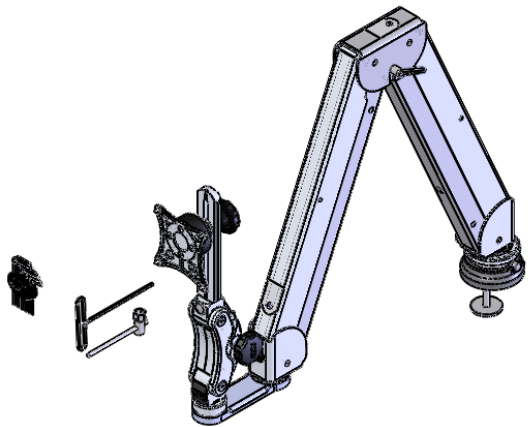


ITEM NO.	QTY.	PART NUMBER	DESCRIPTION
1	1	DTR1	TITAN AND ELITE HOLLOW PIVOT STYLE DESK MOUNT MODULE
2	1	RCS17	T2E HOLLOW PIVOT TITAN TO DOUBLE ELITE RCS ASSY
3	1	HEXKEYSET	HEXKEY SET, 6 KEYS IN AN ICW CLAMHELL
4	1	ELP5220R1	DOUBLE ELITE HOLLOW PIVOT ARM W/ PARALINK MONITOR MT

		REVISIONS			
ECN#	REV.	DESCRIPTION	DATE	APPROVED	
4087	-	UPDATE TO R1 FOR HOLLOW PIVOT	1/16/17	SI	



PROPRIETARY AND CONFIDENTIAL
 THE INFORMATION CONTAINED IN THIS DRAWING IS THE SOLE PROPERTY OF ICW USA.Com,Inc ANY REPRODUCTION IN PART OR AS A WHOLE WITHOUT THE WRITTEN PERMISSION OF ICW USA.Com,Inc IS PROHIBITED.

		DIMENSIONS ARE IN INCHES		NAME	DATE
		TOLERANCES:		DRAWN	SI 1/16/17
		FRACTIONAL ±		CHECKED	
		ANGULAR: MACH ± BEND ±		ENG APPR.	
		TWO PLACE DECIMAL ± 0.010		MFG APPR.	
		THREE PLACE DECIMAL ± 0.005		Q.A.	
		MATERIAL		COMMENTS:	
NEXT ASSY	USED ON	FINISH			
APPLICATION		DO NOT SCALE DRAWING			

ICW USA.Com, Inc
 1487 Kingsley Dr. Medford, OR 97504
 (541) 608-2824 Fax (541) 608-2797

DESCRIPTION:
 ELITE DOUBLE ARM HOLLOW
 PIVOT ARM , PARALINK
 MONITOR MT, DESK MT.

SIZE	DWG. NO.	REV.
A	ELP5220-DTR1	-

SCALE:1:12 WEIGHT: SHEET 1 OF 1