

G*VISION*

**PRODUCT CATALOG
OCTOBER 2013**

**TOUCH
SCREENS**

8" to 84" Displays





PORTS



BEZEL OPTIONS



REAR DISPLAYS (OPTIONS)

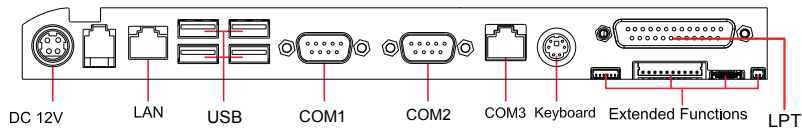


SPECIFICATIONS

Main Board	CPU	Intel Atom D2550 processor 1.86 GHz 1M Cache Also available as an upgrade: Intel Celeron B810; Intel Core i3-230E; Intel Core i5-2510E
	Chipset	NM10
	System Memory	SO-DIMM DDR3 x1, total up to 4G 1066MHz
	Cooling	Fanless
Display	LCD Size	15" LCD Also available in 17" and 19" sizes
	Brightness	300nits
	Resolution	1024 x 768
	Touch Screen	True Flat Resistive touch True Flat P-CAP touch (option)
Storage	HDD Type	1 x 2.5" SATA HDD (320GB HDD) Also available as an upgrade: 8 GB SSD; 16GB SSD
	External I/O Ports	DC Input: 1 (19V-IN) Cash Drawer: 1 x RJ 11 (24V) LAN(10/100/1000): 1 USB Port: 4 x USB 2.0 VGA Port: 1 (12V power enabled by BIOS) Serial Port: RJ45 x 4 (COM3 5V/0.5A ; COM4 12V/0.5A selected by BIOS setting) Power Switch: 1
Expansion	mini PCI-E Socket	1
Audio	Internal Speaker	2x2W
Peripherals	2nd Display	10.4" LCD (800x600)
	LCM Display	Char. x line 2x20 (USB interface)
	MSR	ISO 3-Tracks Slim MSR (USB interface)
	I-Button	1 (USB interface)
	Fingerprint	1 (USB interface)
OS Support	Windows Embedded POSReady 2009, Windows XP Professional for Embedded, Windows 7	
Power Supply	65W/19V-4pin Lock	



PORTS



SPECIFICATIONS	
CPU	Intel® Atom D510 (Dual Core) 1.66GHz with L2 Cache 1MB
Chipset	Intel® ICH8M
System Memory	Up to 2GB, 1 x SO-DIMM DDRII 667
Storage	1 x SATA (2.5") HDD /SSD
Display	
TFT LCD	15" 4:3 backlight
Brightness	400 nits
Max. Resolution	1024 x 768
Max. Colors	16.2M
View Angle	80 / 80(H Right/Left) 80 / 60 (V Upper/Lower)
Contrast Ratio	700 :1
Back Light MTBF	50,000 Hours
Projected Capacitive Touch	
Transparency	90% ± 3
Haze rate	< 4%
Activity	100 million times
IO ports	
USB Port	4 x USB2.0 (2 on IO bracket, 2 on bottom IO)
Serial Port	3 x RS-232 w/RI/5V/12V power ; (COM1/2: DB-9, RS-232, COM3 : RJ-48)
Video	1 X D-sub VGA (optional)
Audio	1 x Line out / MIC in
LPT Port	1 x Parallel port
K/B & Mouse	1 x PS/2 Keyboard
Network (LAN)	1 x Gigabit LAN (Support Wake-on-LAN function)
Expansion	1 x Internal Mini Card (full size Mini PCIe)
Speaker	2 x 2W Speakers
Digital IO	4 in 4 out
Mechanical Environment	
Power Supply	12V
AC/DC Adapter	12V, 6A 72W medical adapter
OS Support	Windows® 7 / Windows® XP Embedded / Windows® XP Pro Embedded / Linux Redhat / Fedora Core
Water/Dust Resistance	Front panel IP66, IPX1 enclosure certification
Operating Temperature	0°C ~ 40°C (32°F ~ 104°F)
Vibration Resistance	Random/Operation 1.5G, 5 ~ 500Hz
Shock Resistance	20G Peak Acceleration (11ms. Duration) in operation
Infection Control	Anti-microbial bezel material (MRSA,Staphylococcus aureus, Escherichia coli)
EMC / Safety	CE/FCC Class B, EN60601-1
Dimensions (W x H x D)	409 x 336 x 57mm
Net Weight / Gross Weight	5.8KG including all accessory
VESA Mounting	VESA 100

From 28" to 38"



Deluxe Cheeseburger	\$7.99
Bacon Cheeseburger	\$8.75
Mushroom Cheeseburger	\$9.25
Guacamole Cheeseburger	\$9.60

GVISION Super Wide LED Screens



LIVE MUSIC

Friday, June 21	Neon Nation
Sat, June 22	The Creepers
Sun, June 23	Mixed Tape

All shows start at 9:00PM
\$5 cover charge at the door



Buffalo Wings

6-Pieces	\$7.99
12-Pieces	\$12.99
20-Pieces	\$16.99

SPECIFICATIONS		
	28.9"	38"
Dimension Outline (in.)	28.9 (W) x 10.11 (H) x .86 (D)	38 (W) x 11.73 (H) x .94 (D)
Active Area (in.)	27.5 (W) x 8.4 (H)	36.62 (W) x 10.29 (H)
Resolution	1920 x 540	1920 x 540
Display Colors	8-Bit - 16.7M	8-Bit - 16.7M
Brightness (cd/m ²)	700 / 1000	550
Contrast Ratio	3000:1	3000:1
Technology	TFT Active Matrix w/ Super MVA technology	TFT Active Matrix w/ Super MVA technology
Aspect Ratio	16:5	16:4.5
View Angle	178 (H)(V)	176 (H)(V)
Back Light Type	LED	LED
Power Consumption	< 60	< 120
Weight (lbs)	6.8	17.85

Notes:

All Super Wide Displays come standard with a 2-year warranty.

* Pricing may change depending on the configuration and is subject to change.



Part #	P10PS-JA-452G (or 453G)	P12DS-LA-2620 (or 2630)	L15AX-JA-452G (or 453G)	P15BX-AB-459G	P17BH-AB-459G	P19BH-AB-459G
LCD Display	10.4"	12.1"	15"	15"	17"	19"
Bezel Color	Black	Beige	Black	Black	Black	Black
Max. Resolution	SVGA 800 x 600	SVGA 800 x 600	XGA 1024 x 768	XGA 1024 x 768	SXGA 1280 x 1024	SXGA 1280 x 1024
Brightness	200 cd/m2 (typical)	360 cd/m2 (typical)	200 cd/m2 (typical)	200 cd/m2 (typical)	280 cd/m2 (typical)	320 cd/m2 (typical)
Contrast Ratio	350:1 (typical)	600:1 (typical)	600:1 (typical)	600:1 (typical)	900:1 (typical)	900:1 (typical)
Response Time	25ms (typical)	35ms (typical)	8 ms (typical)	8ms (typical)	5ms (typical)	5ms (typical)
Viewing Angle	160*(H) x 140(V) (typical)	160*(H) x 140(V) (typical)	140*(H) x 130*(V) (typical)	140*(H) x 130(V) (typical)	170*(H) x 160(V) (typical)	170*(H) x 160(V) (typical)
Base	Photo Frame	Pedestal w/ 90 Degree Tilt	Photo Frame	Pedestal w/ 90 Degree Tilt	Pedestal w/ 90 Degree Tilt	Pedestal w/ 90 Degree Tilt
Video	VGA	VGA	VGA	VGA + DVI	VGA + DVI	VGA + DVI
Audio	1W per channel	NA	1W per channel	1W per channel	1W per channel	1W per channel
Touch Screen	Resistive - Serial (or USB)	Resistive - Serial (or USB)	Resistive - Serial (or USB)	Resistive - Dual (Serial & USB)	Resistive - Dual (Serial & USB)	Resistive - Dual (Serial & USB)
Power	External Adapter (DC Input)	External Adapter (DC Input)	External Adapter (DC Input)	External Adapter (DC Input)	Internal Power (AC Input)	Internal Power (AC Input)
Certification	CE, FCC, UL, C-UL	CE, FCC, UL, C-UL, CB	CE, FCC, UL, C-UL, CB	CE, FCC, UL, C-UL, TUV	CE, FCC, UL, C-UL, TUV, CB	CE, FCC, UL, C-UL, TUV
Mounting	VESA 75mm	VESA 75mm	VESA 75mm	VESA 75mm	VESA 100mm	VESA 100mm

Notes:

All monitors come standard with a 3-year warranty.
 All monitors are also available in non-touch versions. Please call for pricing.

* Pricing may change depending on the configuration and is subject to change.



Touch

Part #	K08AS-CA-0620 (or 0630)	K10AS-CB-0630	K12TX-CA-0620 (or 0630)	K15TX-CB-0620 (or 0630)	K17BH-FB-0690	K19BH-FB-0690
LCD Display	8.4"	10.4"	12.1"	15"	17"	19"
Bezel Color	Black	Black	Open Frame	Open Frame	Open Frame	Open Frame
Max. Resolution	SVGA 800 x 600	SVGA 800 x 600	XGA 1024 x 768	XGA 1024 x 768	SXGA 1280 x 1024	SXGA 1280 x 1024
Brightness	360 cd/m2 (typical)	200 cd/m2 (typical)	360 cd/m2 (typical)	200 cd/m2 (typical)	240 cd/m2 (typical)	240 cd/m2 (typical)
Contrast Ratio	525:1 (typical)	350:1 (typical)	600:1 (typical)	600:1 (typical)	700:1 (typical)	700:1 (typical)
Response Time	30ms (typical)	25ms (typical)	35 ms (typical)	8ms (typical)	5ms (typical)	5ms (typical)
Viewing Angle	160*(H) x 140(V) (typical)	130*(H) x 100(V) (typical)	160*(H) x 160*(V) (typical)	140*(H) x 125(V) (typical)	160*(H) x 160(V) (typical)	160*(H) x 160(V) (typical)
Base	No Stand	No Stand	No Stand	No Stand	No Stand	No Stand
Video	VGA	VGA + DVI	VGA	VGA + DVI	VGA + DVI	VGA + DVI
Audio	NA	NA	NA	NA	NA	NA
Touch Screen	Resistive - Serial (or USB)	Resistive - USB	Resistive - Serial (or USB)	Resistive - Serial (or USB)	Resistive - Dual (Serial & USB)	Resistive - Dual (Serial & USB)
Power	External Adapter (DC Input)	External Adapter (DC Input)	External Adapter (DC Input)	External Adapter (DC Input)	External Adapter (DC Input)	External Adapter (DC Input)
Certification	CE, FCC	CE, FCC	CE, FCC	CE, FCC	CE, FCC	CE, FCC
Mounting	VESA 75mm	VESA 75mm	VESA 75mm	VESA 75mm	VESA 100mm	VESA 100mm

Notes:

All monitors come standard with a 3-year warranty.
 All monitors are also available in non-touch versions. Please call for pricing.

* Pricing may change depending on the configuration and is subject to change.



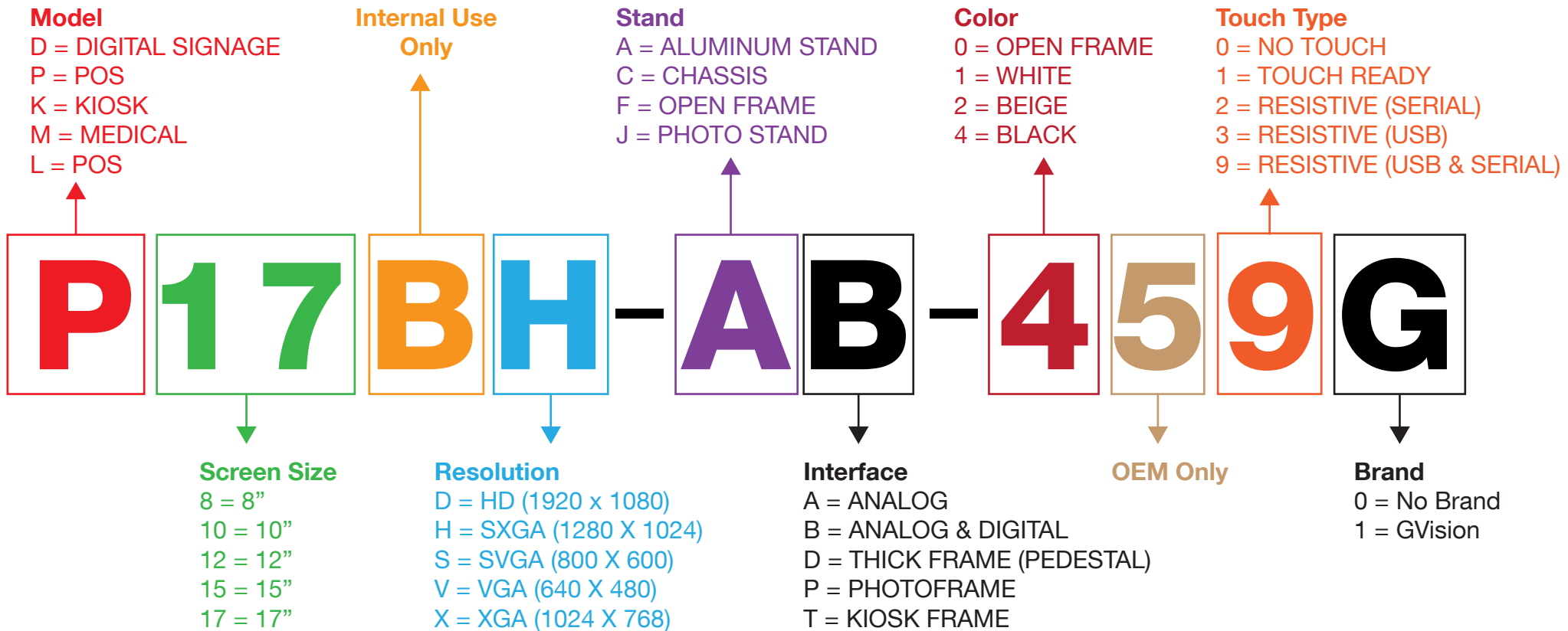
Touch

Part #	MA15BX-AB-159G	MA17BH-AB-159G	MA19BH-AB-159G
LCD Display	15"	17"	19"
Bezel Color	Medical White	Medical White	Medical White
Max. Resolution	XGA 1024 x 768	SXGA 1280 x 1024	SXGA 1280 x 1024
Brightness	200 cd/m2 (typical)	280 cd/m2 (typical)	320 cd/m2 (typical)
Contrast Ratio	600:1 (typical)	900:1 (typical)	900:1 (typical)
Response Time	8ms (typical)	8ms (typical)	5ms (typical)
Viewing Angle	140*(H) x 130(V) (typical)	170*(H) x 160(V) (typical)	170*(H) x 160(V) (typical)
Base	Pedestal w/ 90 Degree Tilt	Pedestal w/ 90 Degree Tilt	Pedestal w/ 90 Degree Tilt
Video	VGA + DVI	VGA + DVI	VGA + DVI
Audio	1W per channel	1W per channel	1W per channel
Touch Screen	Resistive - Dual (Serial & USB)	Resistive - Dual (Serial & USB)	Resistive - Dual (Serial & USB)
Power	External Adapter (DC Input)	External Adapter (DC Input)	Internal Power (AC Input)
Certification	CE, FCC, UL 60601	CE, FCC, ES60601-1, EN60601-1:2006	FCC, UL 60601
Mounting	VESA 75mm	VESA 100mm	VESA 100mm

Notes:

All monitors come standard with a 3-year warranty.
 All monitors are also available in non-touch versions. Please call for pricing.

* Pricing may change depending on the configuration and is subject to change.





GVISION's P15BX is a 15" POS solution with a slim bezel design which maximizes screen space yet does not take up additional room. The P15BX provides reliable and durable operation for retail POS and hospitality markets. The P15BX can be easily integrated with a variety of POS or PC systems. It is ideal for demanding usage which requires a highly stable monitor and resilient touchscreen. Touch technology can be customized for your projects.



- Slim bezel
- Durable design
- Customizable touch technology

For more information, please contact

GVISION USA
1-888-651-9688
www.gvision-usa.com
info@gvision-usa.com



PARAMETER		SPECIFICATION
LCD Display		15" TFT active matrix panel
Pixel Pitch		0.297 (H) x 0.297 (V) mm
Max. Resolution		XGA 1024 x 768
Contrast Ratio		700:1 (Typ.) w/o sensor or glass
Brightness		250 cd/m ² (Typ.) w/o sensor or glass
Response Time (Tr+Tf)		8 ms (Typ.)
Display Color		16.2M
Effective Display Area		304.1 (H) x 228.1 (V) mm
Viewing Angle (CR≥10)		140°(H) x 130°(V) (Typ.) w/o sensor or glass
Lamp Life (hr) / Backlight		35,000 (Min.) / CCFL
Stand Base		Tilt down : -5° , Tilt up : +90°
Input Signals		Analog, Digital
Signal Connector	Analog Digital	D-Sub15 pin (VGA) DVI-D
Scan Frequency		60 ~ 75 Hz
Audio System		1W per channel
Touch Panel		5-wire Resistive
Touch Interface		RS-232 or USB A type
Power		Universal Power Adapter Input AC 100 ~ 240V, 50 ~ 60 Hz Output DC 12V / 3A, 36W
Operating	Temperature Humidity Altitude	0°C ~ 40°C (32°F ~ 104°F) 10% ~ 90% (no condensation) To 10,000 feet
Storage	Temperature Humidity	-20°C ~ 60°C (-4°F ~ 140°F) 10% ~ 90% (no condensation)
Dimensions (WxHxD)		351.0 x 314.5 x 140.0 mm
Carton Dimensions (WxHxD)		438.0 x 460.0 x 214.0 mm
Weight (Net)		4.5 kg
Certification	EMC	CE/FCC
	Safety	UL/c-UL/ TUV
	Other	CCC (optional)
Standard Pallet Loading (by sea)		48 units (1300 [L] x 900 [W] x 1960 [H] mm)
Standard Pallet Loading (by air)		30 units (1070 [L] x 880 [W] x 1500 [H] mm)

FEATURES

- High contrast color TFT LCD display supports resolution up to 1024 x 768
- Compatible with VGA, IBM and VESA signal standards (resolution/timing auto-detected)
- Compatible with non-standard signals (on request)
- Supports DDC 1/2B for Plug & Play compatibility
- Advanced OSD control for picture quality adjustment
- VESA standard mounting
- RoHS Compliance

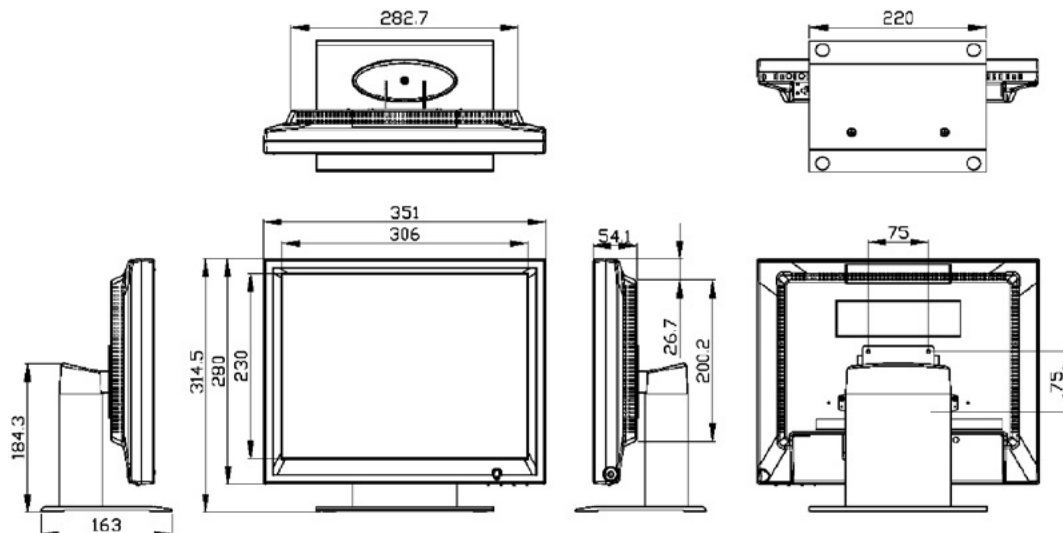
OPTIONS

- Anti-Glare / Anti-Reflective tempered glass
- Sunlight Readable
- IP54 waterproof & dustproof sealed front bezel
- Touch sensor technologies: resistive, surface capacitive
- Video Signal input
 - Signal Connector: RCA / S-Video
 - NTSC / PAL / SECAM video

TOUCH SENSOR SPEC

Type	5W Resistive	Capacitive
Transmission	80% ± 2%	91.5% ± 1.5%
Interface	USB or RS-232	USB or RS-232
Durability	30 million times	3-years
OS Support	DOS ; Windows Linux Mac OS X / OS 9.x	

MECHANICALS





GVISION's P17BH is a 17" POS solution with a slim bezel design which maximizes screen space yet does not take up additional room. The P17BH provides reliable and durable operation for retail POS and hospitality markets. The P17BH can be easily integrated with a variety of POS or PC systems. It is ideal for demanding usage which requires a highly stable monitor and resilient touchscreen. Touch technology can be customized for your projects.



- Slim bezel
- Durable design
- Customizable touch technology

For more information, please contact

GVISION USA
1-888-651-9688
www.gvision-usa.com
info@gvision-usa.com



PARAMETER		SPECIFICATION
LCD Display		17" TFT active matrix panel
Pixel Pitch		0.264 (H) x 0.264 (V) mm
Max. Resolution		SXGA 1280 x 1024
Contrast Ratio		1000:1 (Typ.) w/o sensor or glass
Brightness		350 cd/m ² (Typ.) w/o sensor or glass
Response Time (Tr+Tf)		5 ms (Typ.)
Display Color		16.7M
Effective Display Area		337.9 (H) x 270.3 (V) mm
Viewing Angle (CR≥10)		170°(H) x 160°(V) (Typ.) w/o sensor or glass
Lamp Life (hr) / Backlight		50,000 (Typ.) / CCFL 50,000 (Min.) / LED
Stand Base		Tilt down : -5° , Tilt up : +90°
Input Signals		Analog, Digital
Signal Connector	Analog	D-Sub15 pin (VGA)
	Digital	DVI-D
Scan Frequency		60 ~ 75 Hz
Audio System		1W per channel
Touch Panel		5-wire Resistive
Touch Interface		RS-232 or USB A type
Power		Universal 100~240V, 50~60 Hz 1.5A AC input
Operating	Temperature	0°C ~ 40°C (32°F ~ 104°F)
	Humidity	10% ~ 90% (no condensation)
	Altitude	To 10,000 feet
Storage	Temperature	-20°C ~ 60°C (-4°F ~ 140°F)
	Humidity	10% ~ 90% (no condensation)
Dimensions (WxHxD)		392.0 x 381.5 x 180.0 mm
Carton Dimensions (WxHxD)		452.0 x 461.0 x 228.0 mm
Weight (Net)		6.5 kg
Certification (DC-in type)	EMC	CE/FCC
	Safety	UL / c-UL / TUV (AC type) / CB
	Other	RoHS / WEEE
Standard Pallet Loading (by sea)		40 units (1140 [L] x 910 [W] x 1964 [H] mm)
Standard Pallet Loading (by air)		30 units (1140 [L] x 910 [W] x 1503 [H] mm)

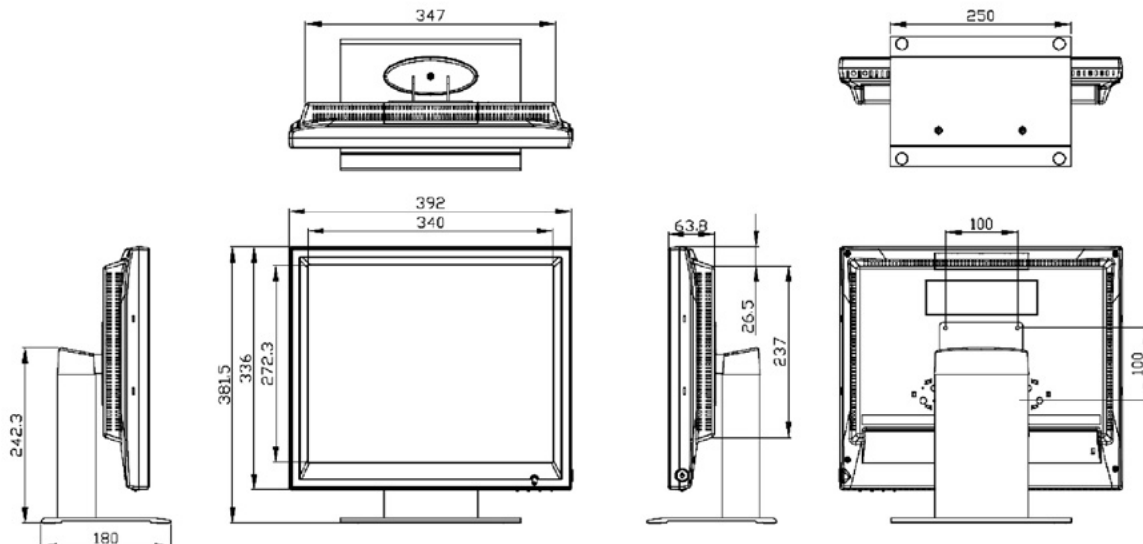
FEATURES

- High contrast color TFT LCD display supports resolution up to 1280 x 1024
- Compatible with VGA, IBM and VESA signal standards (resolution/timing auto-detected)
- Supports DDC 1/2B for Plug & Play compatibility
- Advanced OSD control for picture quality adjustment
- Rugged all-metal fully enclosed chassis
- VESA mounting
- RoHS Compliance

OPTIONS

- Anti-Glare / Anti-Reflective tempered glass
- Sunlight Readable
- IP54 / IP65 waterproof & dustproof sealed front bezel
- Touch sensor technologies: resistive, surface capacitive, projective capacitive, SAW, IR
- Video Signal input
 - Signal Connector: RCA / S-Video
 - NTSC / PAL / SECAM video

MECHANICALS





GVISION's P19BH is a 19" POS solution with a slim bezel design which maximizes screen space yet does not take up additional room. The P19BH provides reliable and durable operation for retail POS and hospitality markets. The P19BH can be easily integrated with a variety of POS or PC systems. It is ideal for demanding usage which requires a highly stable monitor and resilient touchscreen. Touch technology can be customized for your projects.



- Slim bezel
- Durable design
- Customizable touch technology

For more information, please contact

GVISION USA
1-888-651-9688
www.gvision-usa.com
info@gvision-usa.com



PARAMETER		SPECIFICATION
LCD Display		19" TFT active matrix panel
Pixel Pitch		0.294 (H) x 0.294 (V) mm
Max. Resolution		SXGA 1280 x 1024
Contrast Ratio		1000:1 (Typ.) w/o sensor or glass
Brightness		400 nits / CCFL w/o sensor or glass 350 nits / LED
Response Time (Tr+Tf)		5 ms (Typ.)
Display Color		16.7M
Effective Display Area		376.4 (H) x 301.1 (V) mm
Viewing Angle (CR≥10)		170°(H) x 160°(V) (Typ.) w/o sensor or glass
Lamp Life (hr) / Backlight		50,000/CCFL 50,000/LED
Stand Base		Tilt down : -5° , Tilt up : +90°
Input Signals		Analog, Digital
Signal Connector	Analog Digital	D-Sub15 pin (VGA) DVI-D
Scan Frequency		60 ~ 75 Hz
Audio System		1W per channel
Touch Panel		5-wire Resistive
Touch Interface		RS-232 or USB A type or Combo
Power		Universal 100~240V, 50~60 Hz 1.5A AC input
Operating	Temperature Humidity Altitude	0°C ~ 40°C (32°F ~ 104°F) 10% ~ 90% (no condensation) To 10,000 feet
Storage	Temperature Humidity	-20°C ~ 60°C (-4°F ~ 140°F) 10% ~ 90% (no condensation)
Dimensions (WxHxD)		438.0 x 417.5 x 180.0 mm
Carton Dimensions (WxHxD)		530.0 x 500.0 x 230.0 mm
Weight (Net)		8 kg
Certification (DC-in type)	EMC	CE/FCC
	Safety	UL / c-UL / TUV (AC type)
	Other	RoHS / WEEE
Standard Pallet Loading (by sea)		40 units(1150 [L] x 1060 [W] x 2120 [H] mm)
Standard Pallet Loading (by air)		30 units(1150 [L] x 1060 [W] x 1620 [H] mm)

FEATURES

- High contrast color TFT LCD display supports resolution up to 1280 x 1024
- Compatible with VGA, IBM and VESA signal standards (resolution/timing auto-detected)
- Compatible with non-standard signals (on request)
- Supports DDC 1/2B for Plug & Play compatibility
- Advanced OSD control for picture quality adjustment
- VESA standard mounting
- RoHS Compliance

OPTIONS

- Anti-Glare / Anti-Reflective tempered glass
- Sunlight Readable
- IP54 waterproof & dustproof sealed front bezel
- Touch sensor technologies: resistive, surface capacitive
- Video Signal input
 - Signal Connector: RCA / S-Video
 - NTSC / PAL / SECAM video

MECHANICALS

