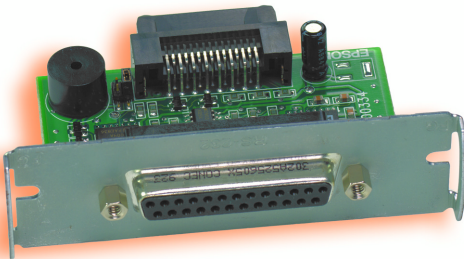
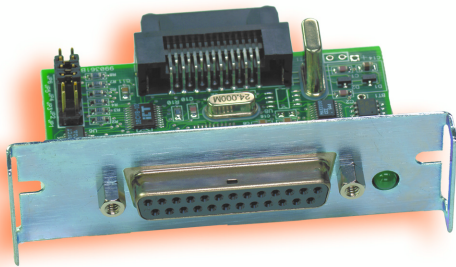
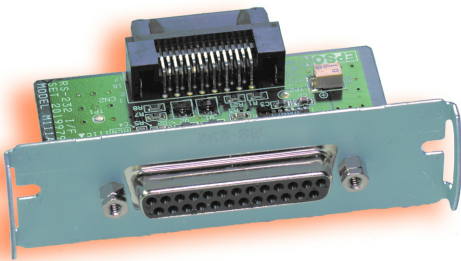


EPSON RS-232 Interface Modules



Serial connectivity for POS now has a variety of alternatives to meet system needs with six unique serial modules from EPSON.

EPSON's exclusive Serial Connect-It™ modules offer a wide variety of options for serial connectivity. Whether you need a “beep” when your printer completes a print job, extra buffer space to help speed up a transaction or a journal that can keep data electronically—EPSON has it!

RS-232 module

Choose this module for a standard RS-232 serial connection.

RS-485 module

Extend the printer up to 3000 feet from the host using this module.

Serial buffer module

This module offers a large input buffer (up to 24 KB) to improve transaction speed by freeing up the host without hardware or software redesign. The buffer can also be used to store emulation information so the printer can be used to replace old or inefficient printers. Currently, emulations have been designed for the DH, Axiohm, and AddMaster printers. Custom emulations can be programmed for large applications.

Serial annunciator module

This is the perfect module for busy restaurants or kitchens. This little module can “beep” when needed. The sound of the beep would be extremely valuable to a cook in a busy kitchen letting him or her know an order is waiting.

Universal serial with EJ

Instead of printing out all the receipts at the end of each shift, this module can store electronic journal information for you and then download it at the end of the day to a server. You save time, paper and energy! There is an optional switch that can be installed in some of the EPSON™ printers that will allow retrieval of electronic data at the receipt printer station.

Expand the possibilities of serial connectivity using EPSON's Connect-It modules.

- Increase transmission speed
- Maintain reliable records easily with an Electronic Journal (EJ)
- Improve transaction speed
- Augment with an audible alarm
- Extend the distance between the printer and the host

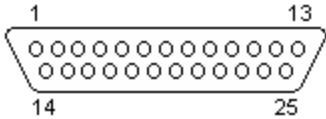
EPSON RS-232 Interface Modules

Module Specifications	
RS-232 Module	
EIA* communication standard	RS-232
Connector	DB-25
Communication speed	2400 bps up to 19200 bps
RS-485 Module	
EIA communication standard	RS-485
Connector	DB-25
Communication speed	2400 bps up to 19200 bps
Serial Buffer Module	
Buffer size	Up to 24 KB
Communication speed	Can be set from 300 bps up to 38400 bps
Connector	DB-25
EIA communication standard	RS-232
Settings	Many settings are available via jumper settings and even more settings are available via a software application program
Programmable	Can be easily upgraded in the field via software utility program
Serial Annunciator Module	
EIA communication standard	RS-232
Connector	DB-25 or DB-9
Communication speed	2400 bps up to 19200 bps
Audio annunciator volume	80 dB
Universal Serial with EJ	
EIA communication standard	RS-232
Connector	DB-25
Communication speed	2400 bps up to 19200 bps
Electronic journal**	2 MB (approx. 6¼ rolls of journal paper)

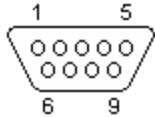
* Electronic Industries Association
 ** Larger storage for electronic journal is possible by special order

To find out more about our line of Connect-It Interfaces talk to your EPSON Sales Representative.

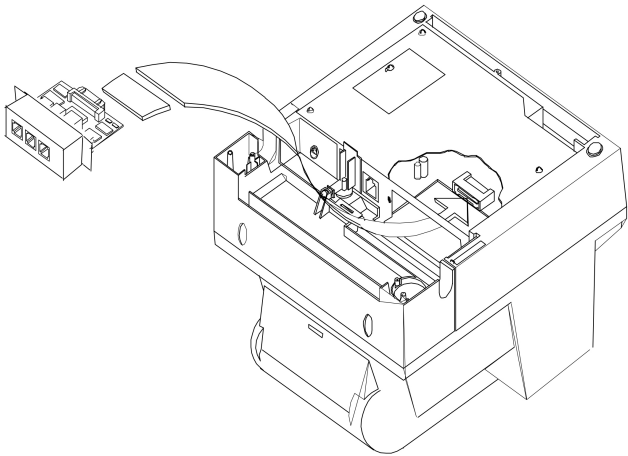
DB-25 Connector



DB-9 Connector



Module Installation



Specifications are subject to change without notice.

Conforms to OLE POS specifications.



SD-SERA