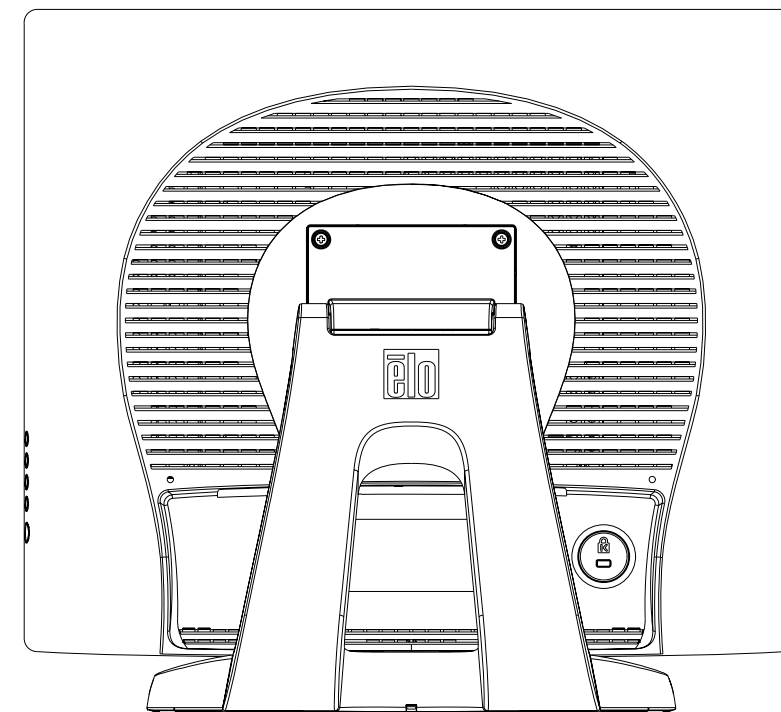
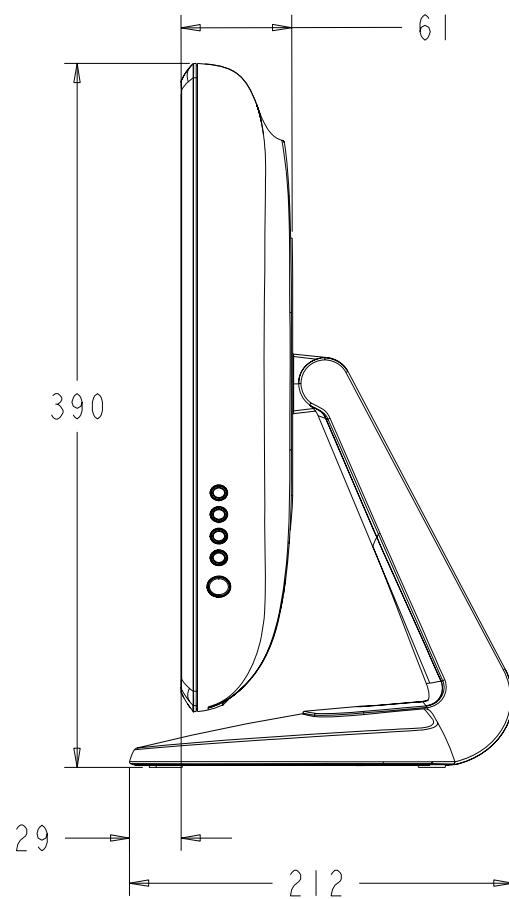
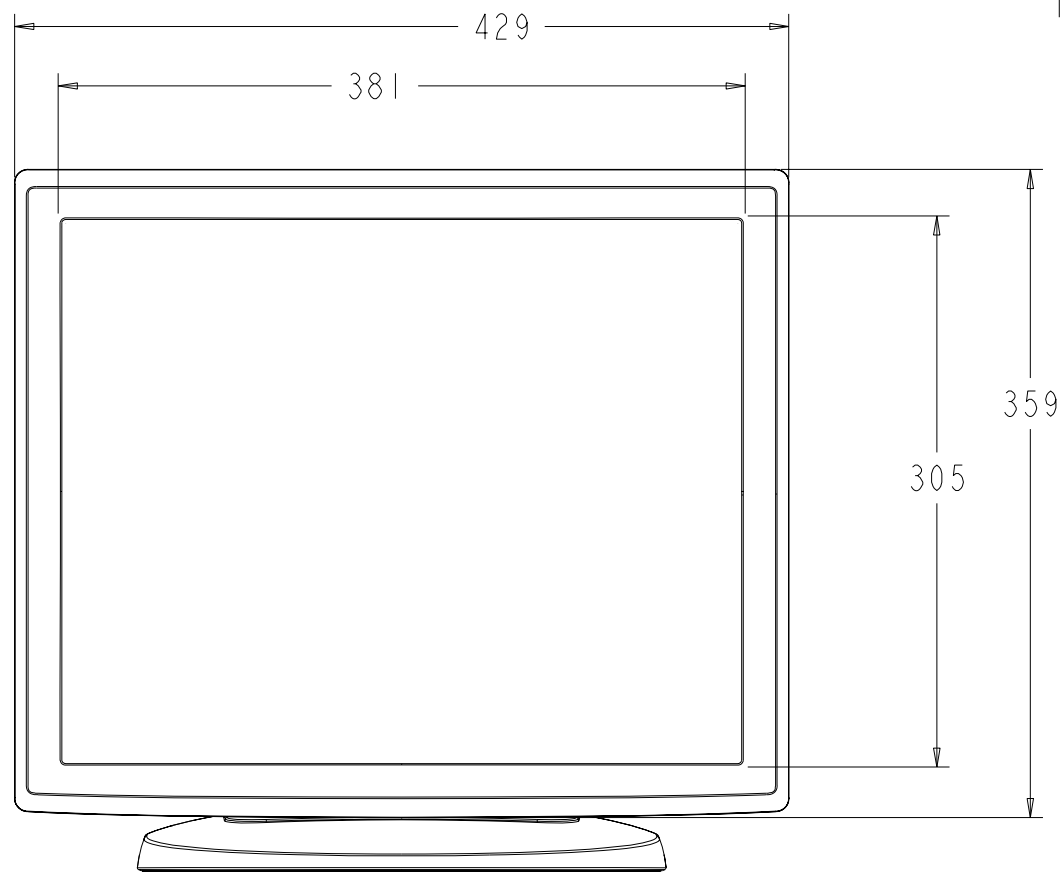
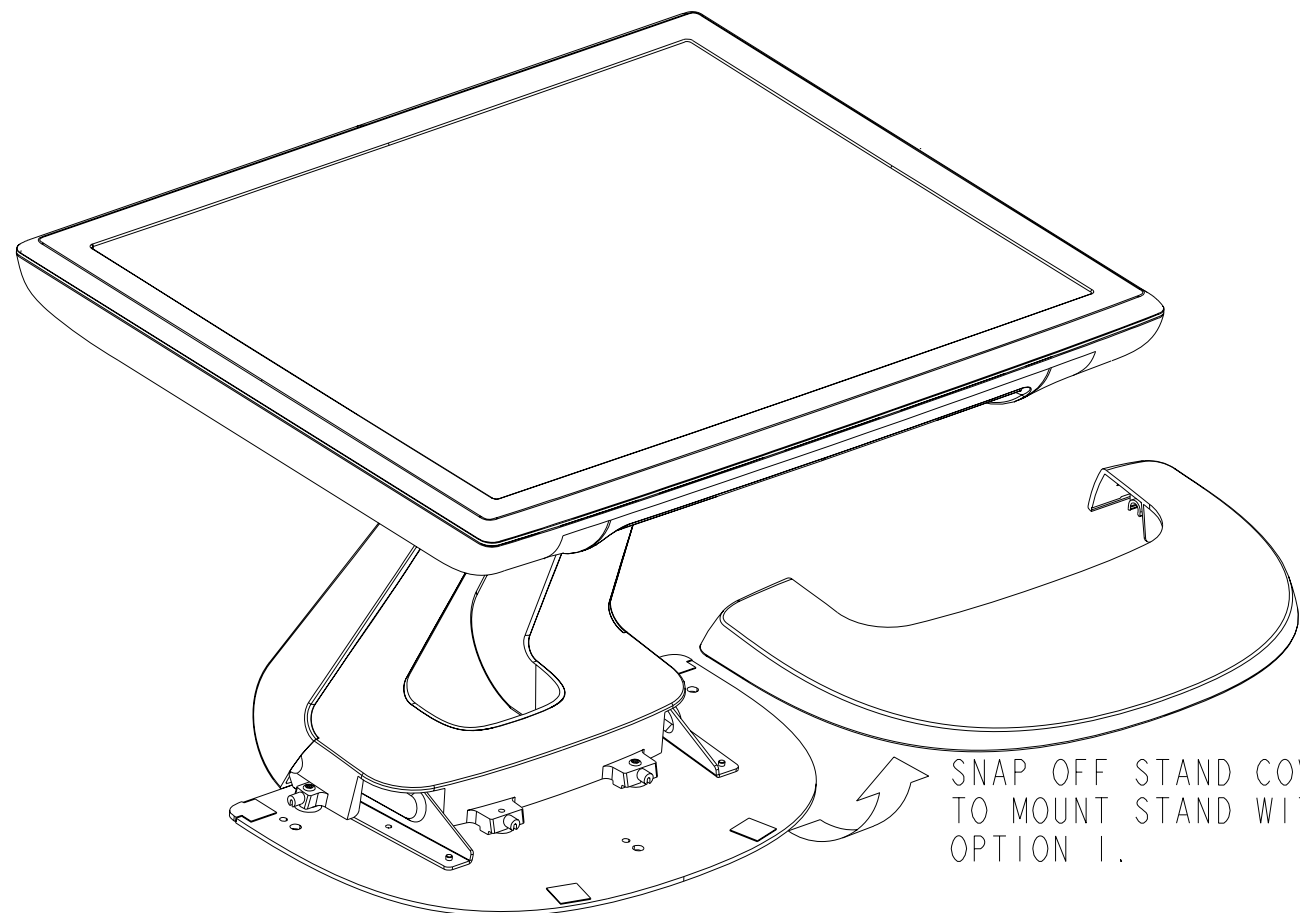


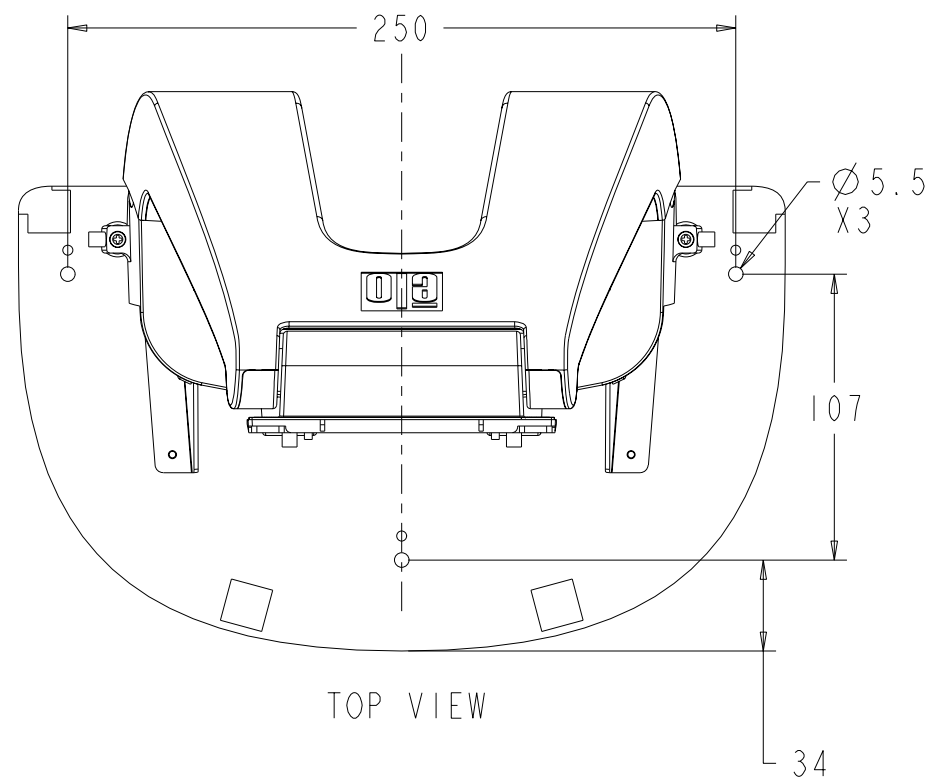
TILT -5° FROM VERTICAL

TILT 90° FROM VERTICAL



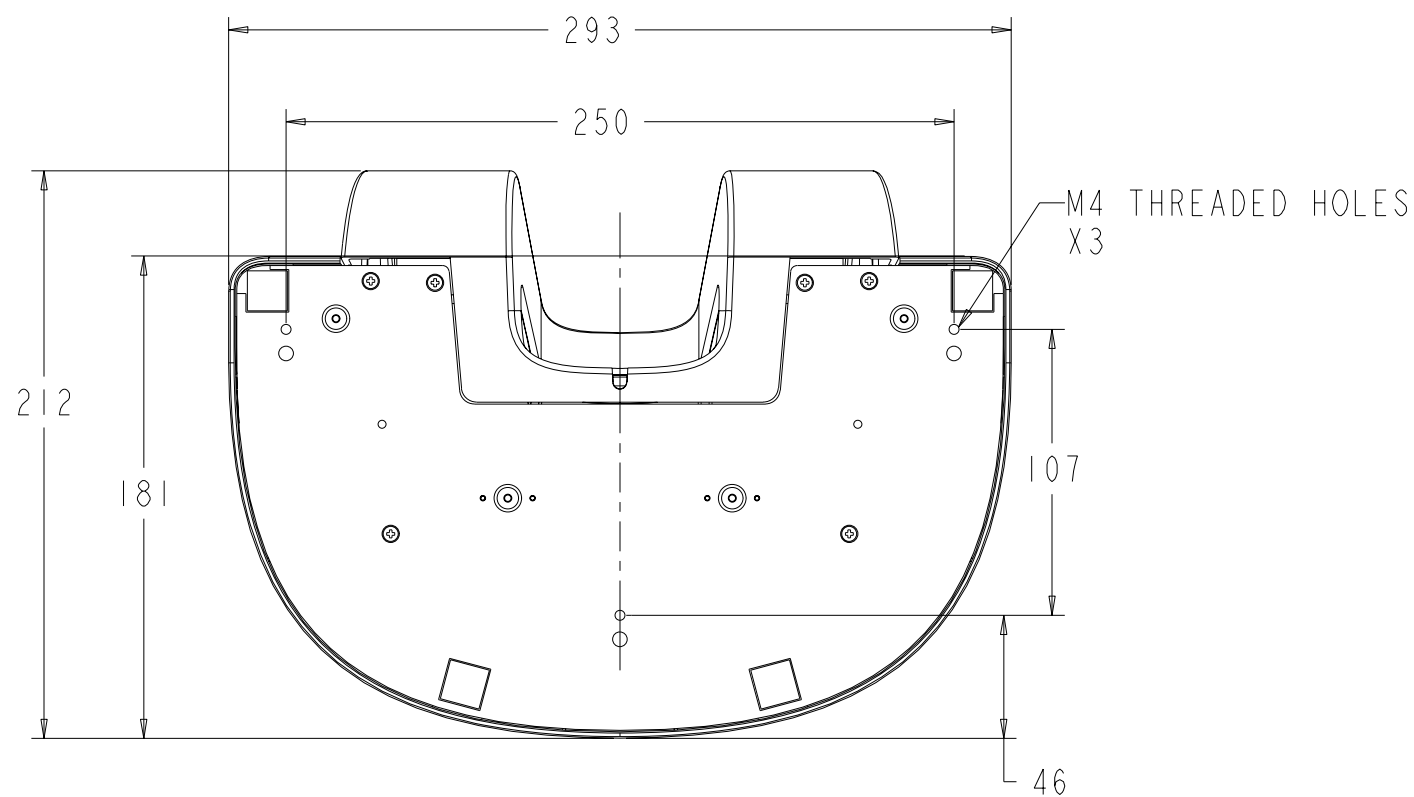


MOUNT OPTION 1



TOP VIEW

MOUNT OPTION 2

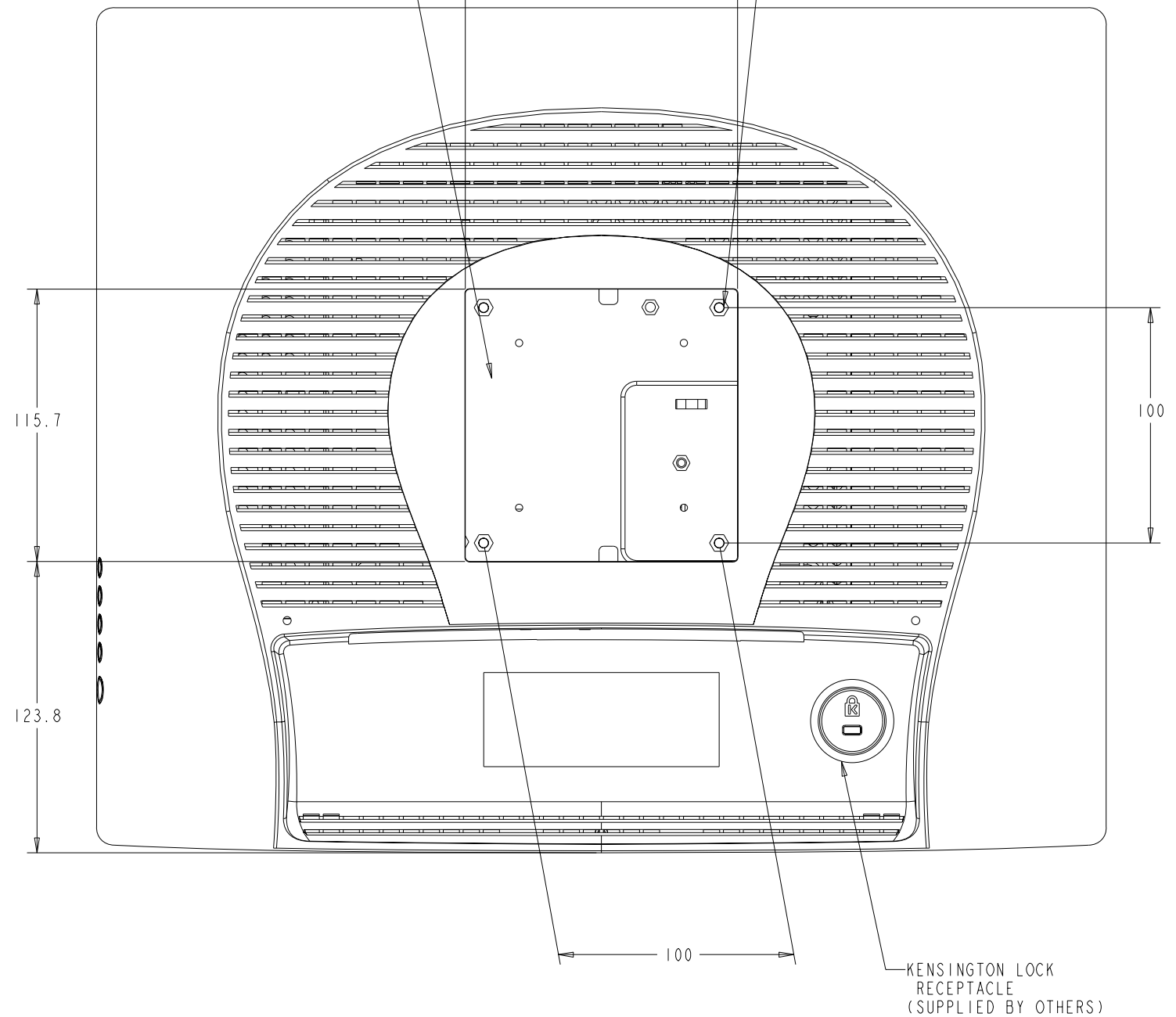


BOTTOM VIEW

VESA MOUNT

VESA MOUNTING SURFACE IS 5.6 MM BELOW PLASTIC

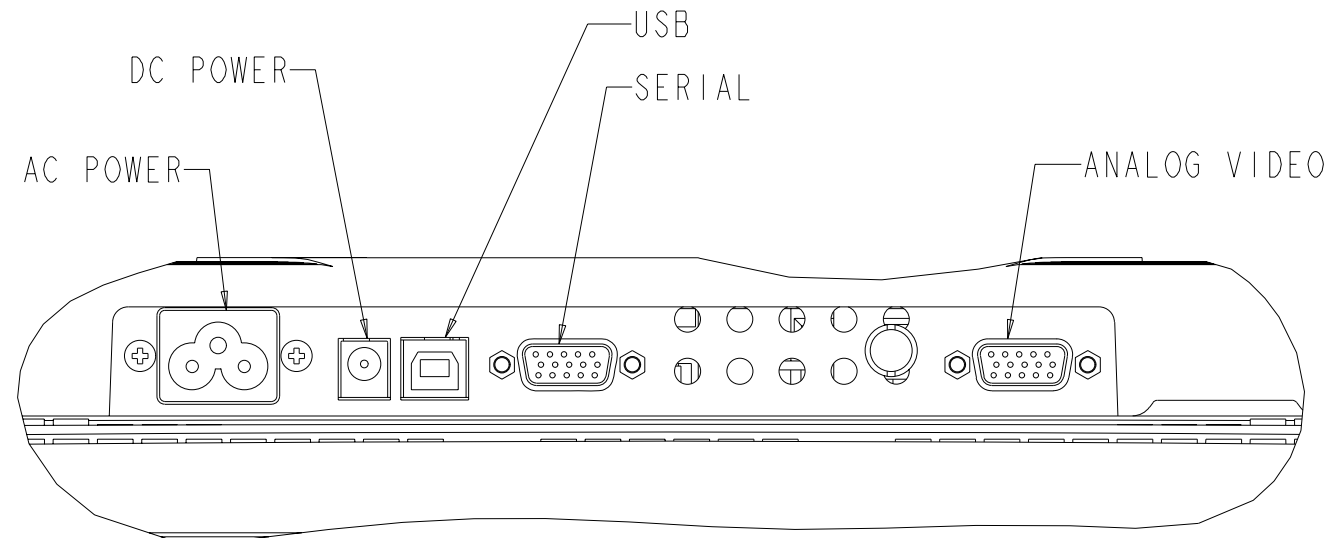
M4 THREAD, PHILIPS HEAD MOUNTING SCREWS 7mm DEEP FROM VESA SURFACE, X4



KENSINGTON LOCK RECEPTACLE (SUPPLIED BY OTHERS)

CONNECTOR PANEL

TOUCH-SCREEN CONNECTORS



DC POWER

USB

SERIAL

AC POWER

ANALOG VIDEO