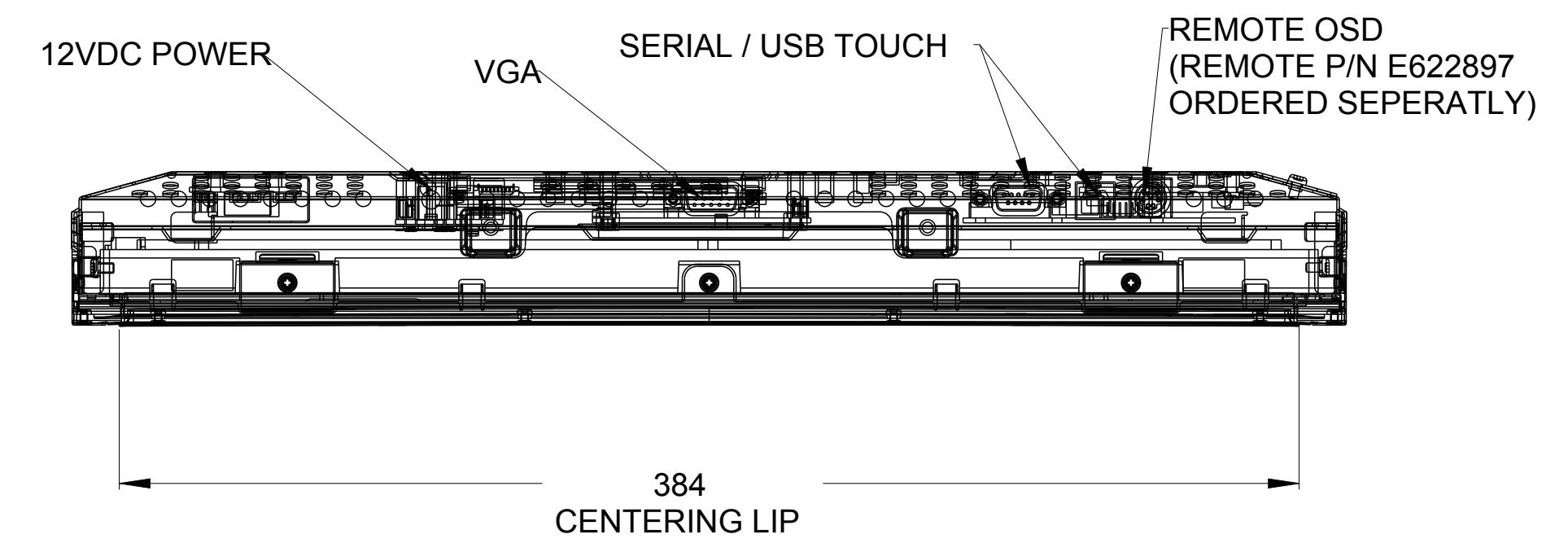
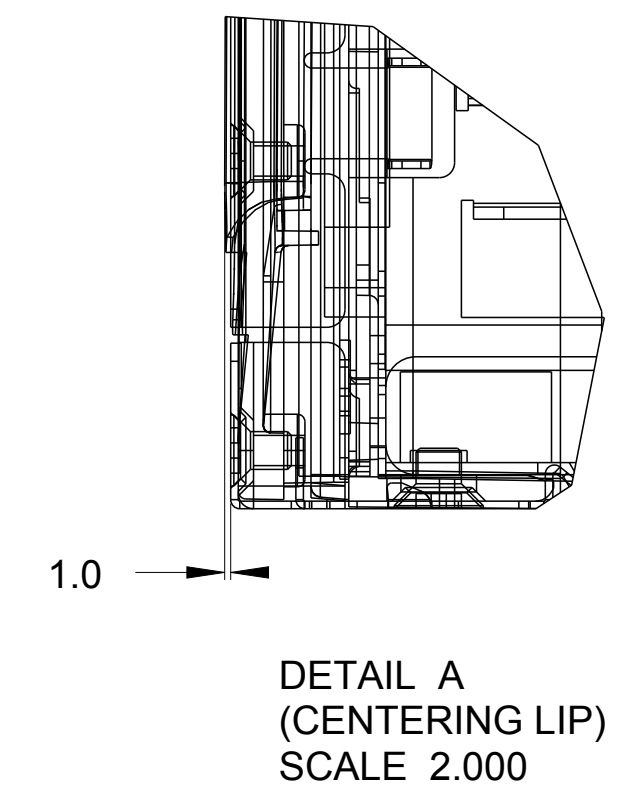
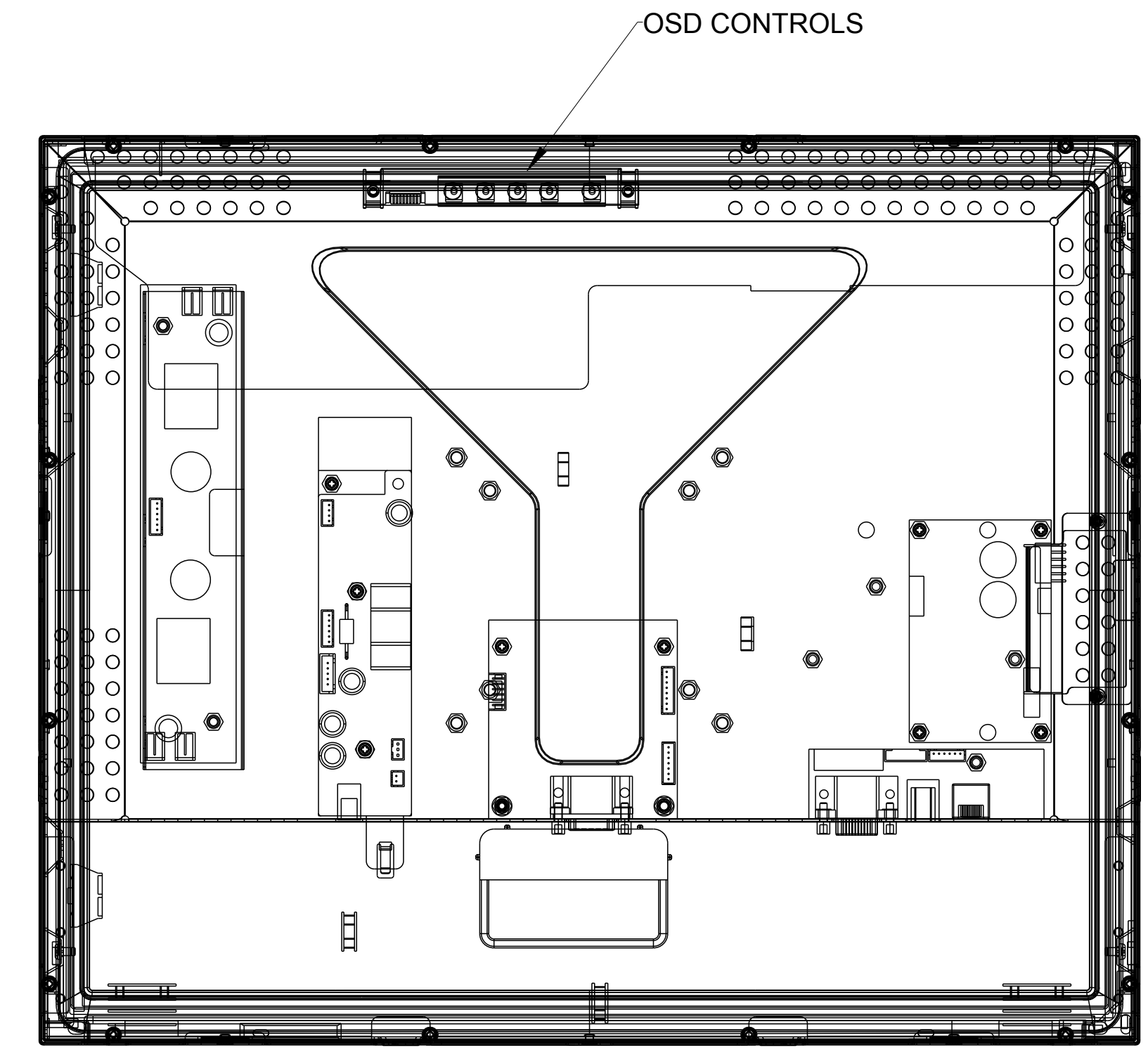
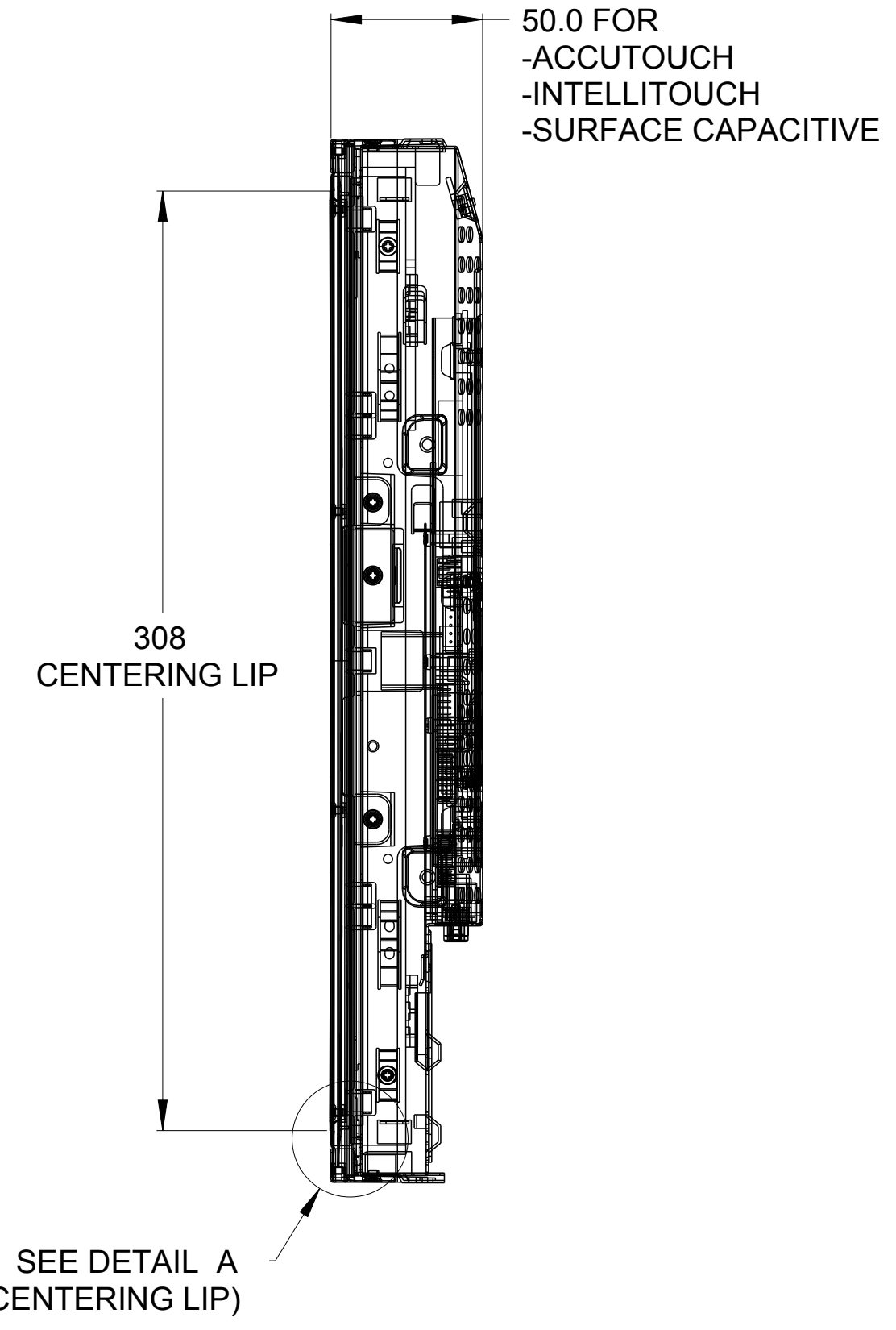
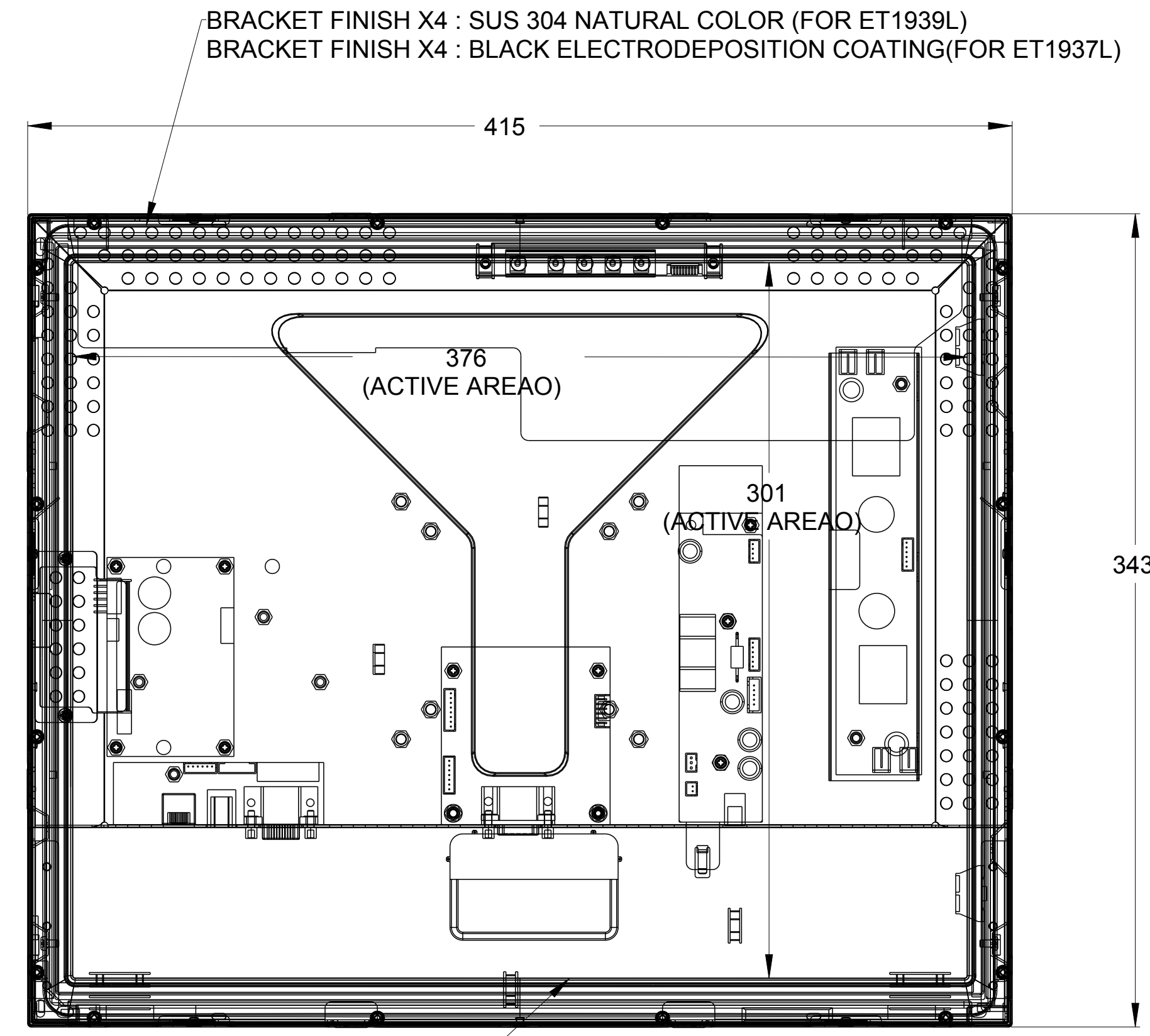


PROPRIETARY TO ELO TOUCH SOLUTIONS, INC. AND SHALL NOT BE DISCLOSED OTHER THAN TO NECESSARY EMPLOYEES OR SUPPLIERS WITHOUT THE EXPRESS WRITTEN CONSENT OF ELO TOUCH SOLUTIONS INC.

REVISIONS					
REV	ZONE	BY	DESCRIPTION	DATE	APPROVED
G	--	-	-	02/10/10	
H		BA	ECO-12-014540: REBRANDED TO ELO TOUCH SOLUTIONS	08/31/12	DD

- NOTES:
 1. ALL DIMENSIONS +/- 1.0MM UNLESS NOTED
 2. DIMENSIONS SHOW ARE FOR ALL TOUCH TECHNOLOGIES UNLESS NOTED



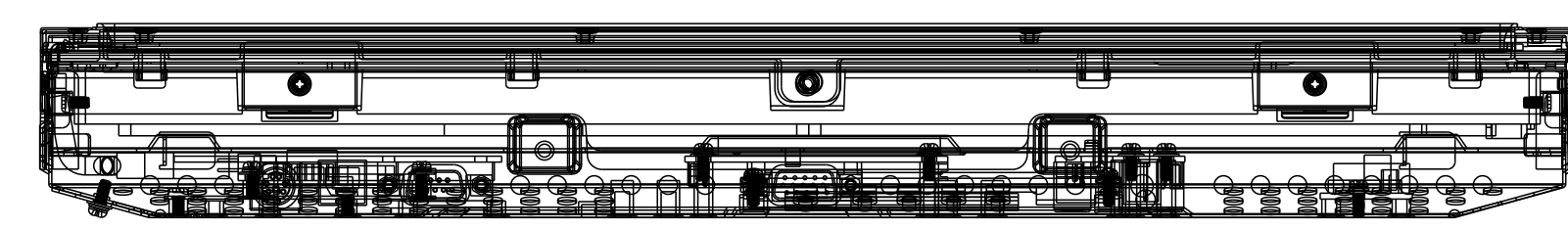
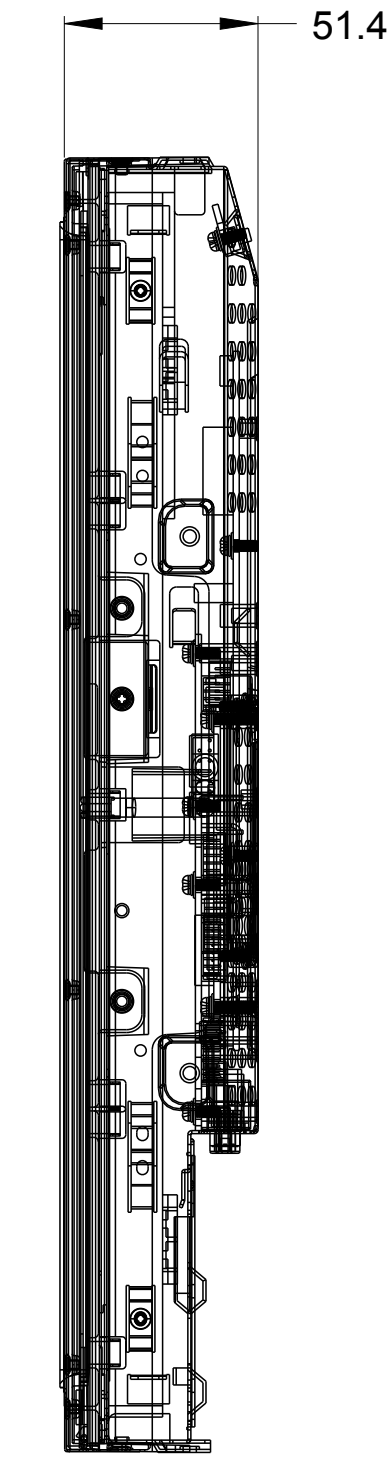
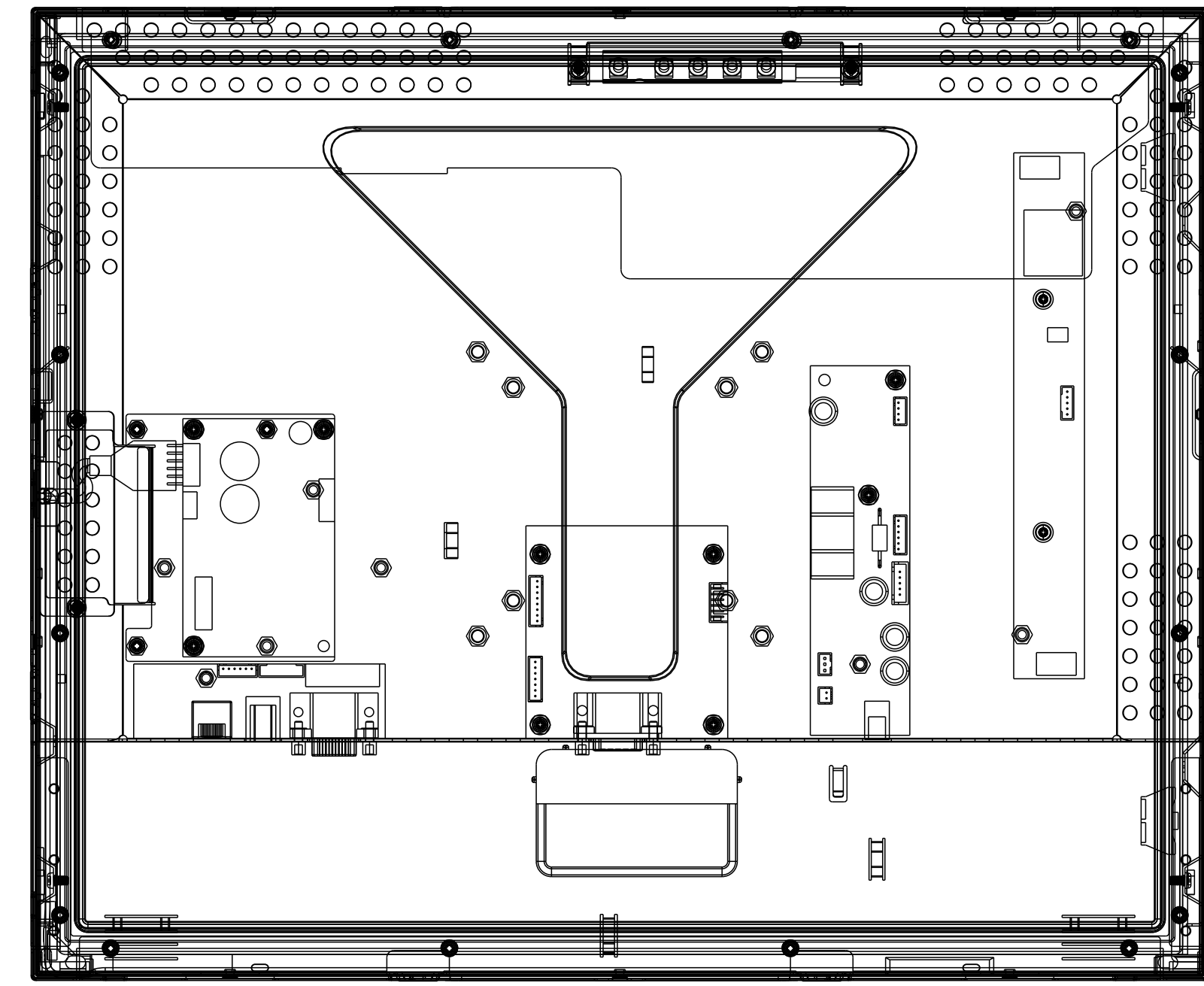
ITEM NO.	QTY REQ'D	DRAWING OR PART NO.	DESCRIPTION	MATERIAL SPECIFICATION
PARTS LIST				
PART. NO.		UNLESS OTHERWISE SPECIFIED ALL DIMENSIONS ARE IN MILLIMETERS	DRAWN -	DATE -
METRIC		TOLERANCES ARE: DECIMALS ±1/ 2" ANGLES ±.25 FRACTIONS ±1/ 32	CHECK -	DATE -
			DESIGN -	DATE -
DO NOT SCALE DRAWING		THIRD ANGLE PROJECTION		TITLE
Pro/E prt/asm: MS500786_E_ET1939L_APR_RCK.PRT		Pro/E drw: MS500786_REVH.DRW		DIMENSIONAL DRAWING ET1939L/ ET1937L-XCWA-X
SIZE	SCALE	SHEET	DWG. NO.	REV
D	0.333	1 OF 8	MS500786	H

H REV
 C SHIT 1 OF 8
 B REV
 A MS500786

PROPRIETARY TO ELO TOUCH SOLUTIONS, INC. AND SHALL NOT BE DISCLOSED OTHER THAN TO NECESSARY EMPLOYEES OR SUPPLIERS WITHOUT THE EXPRESS WRITTEN CONSENT OF ELO TOUCH SOLUTIONS INC.

REVISIONS					
REV	ZONE	BY	DESCRIPTION	DATE	APPROVED
H	--	BA	SEE SHEET 1	08/31/12	DD

SECURE TOUCH OPTION (FOR ET1939L ONLY)



ITEM NO.	QTY REQ'D	DRAWING OR PART NO.	DESCRIPTION	MATERIAL SPECIFICATION	
PARTS LIST					
PART. NO.		UNLESS OTHERWISE SPECIFIED ALL DIMENSIONS ARE IN MILLIMETERS		DRAWN -	
METRIC		TOLERANCES ARE:		DATE -	
		DECIMALS	ANGLES	CHECK	DATE
DO NOT SCALE DRAWING		X ± 0.50	± 1/ 2°	DESIGN	DATE
		X ± 0.25	FRACTIONS	-	-
		XX ± 0.13	± 1/ 32	THIRD ANGLE PROJECTION	
Pro/E prt/asm: MS500786_E_ET1939L_APR.PRT					
Pro/E drw: MS500786_REVH.DRW				SIZE D	SCALE 0.333
				SHEET 2 OF 8	DWG. NO. MS500786
				REV H	

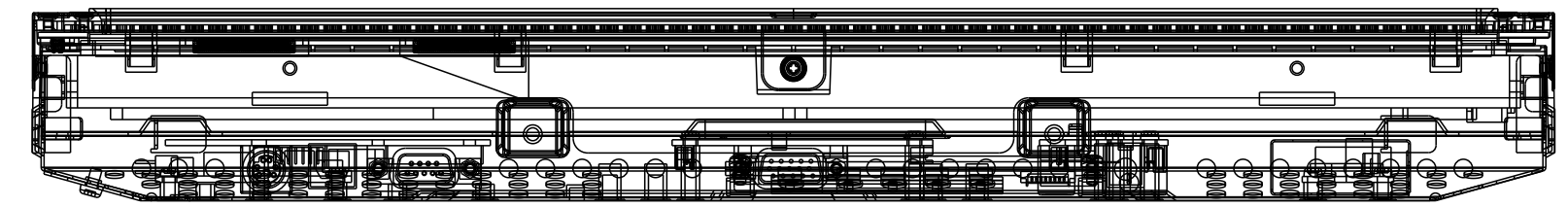
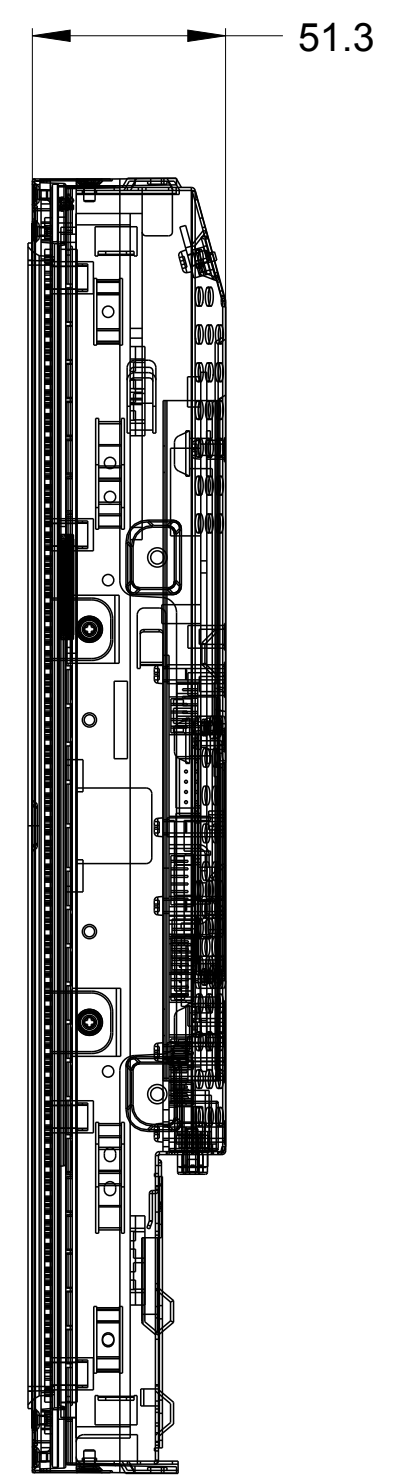
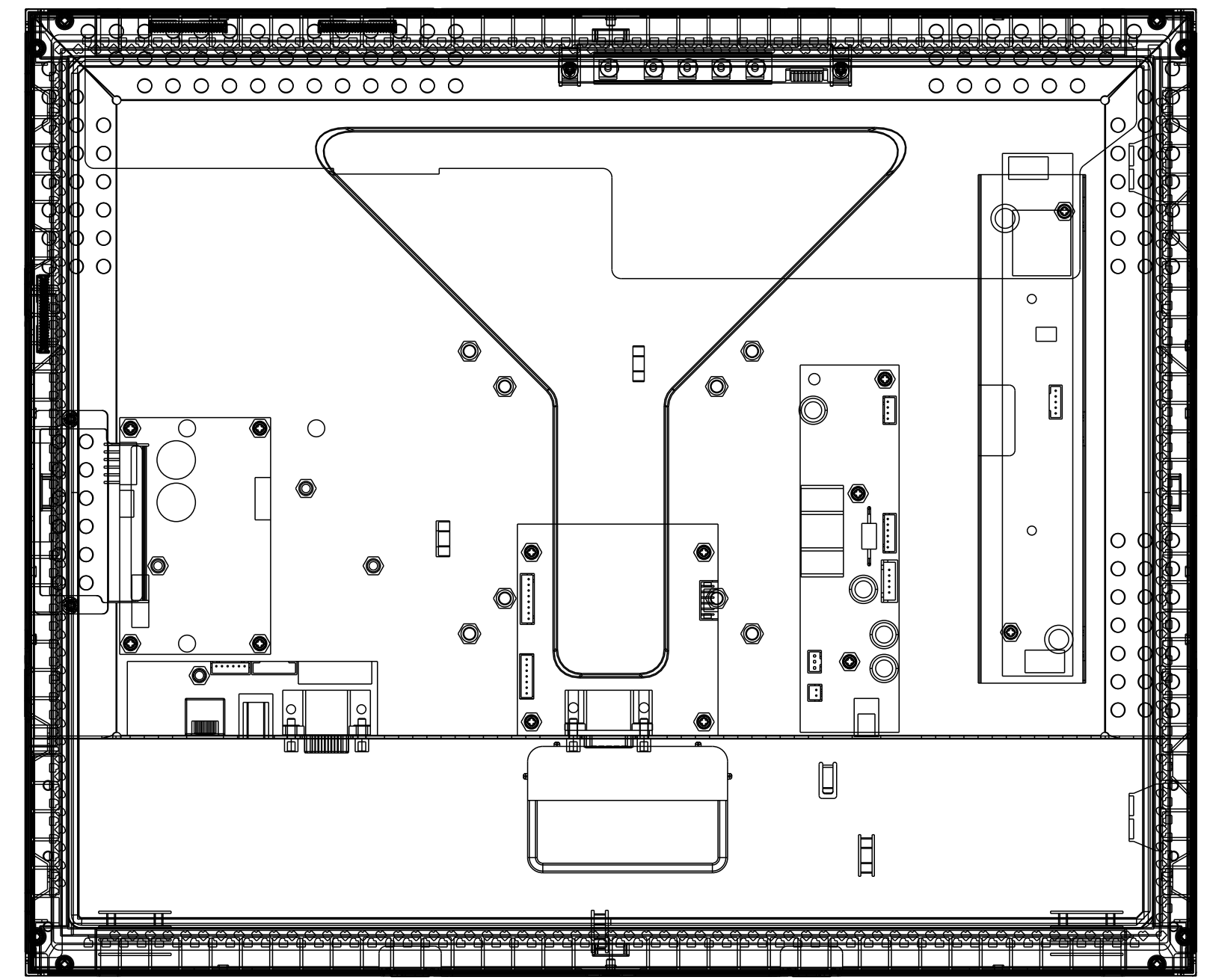


REV H
SHT 2 OF 8
DWG. NO. MS500786

PROPRIETARY TO ELO TOUCHSOLUTIONS, INC. AND SHALL NOT BE DISCLOSED OTHER THAN TO NECESSARY EMPLOYEES OR SUPPLIERS WITHOUT THE EXPRESS WRITTEN CONSENT OF ELO TOUCH SOLUTIONS INC.

REVISIONS					
REV	ZONE	BY	DESCRIPTION	DATE	APPROVED
H	--	BA	SEE SHEET 1	08/31/12	DD

IR OPTION (FOR ET1939L ONLY)



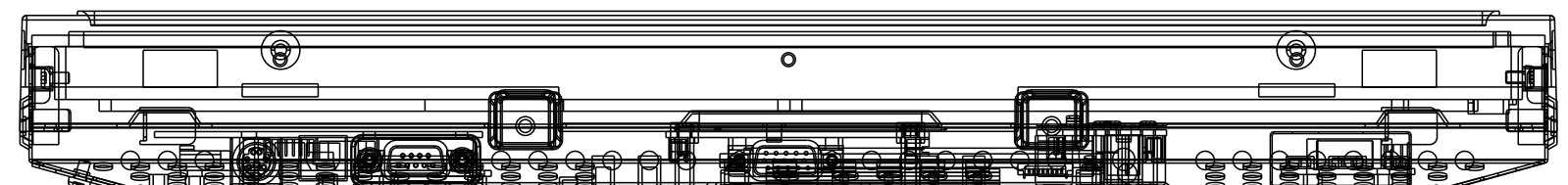
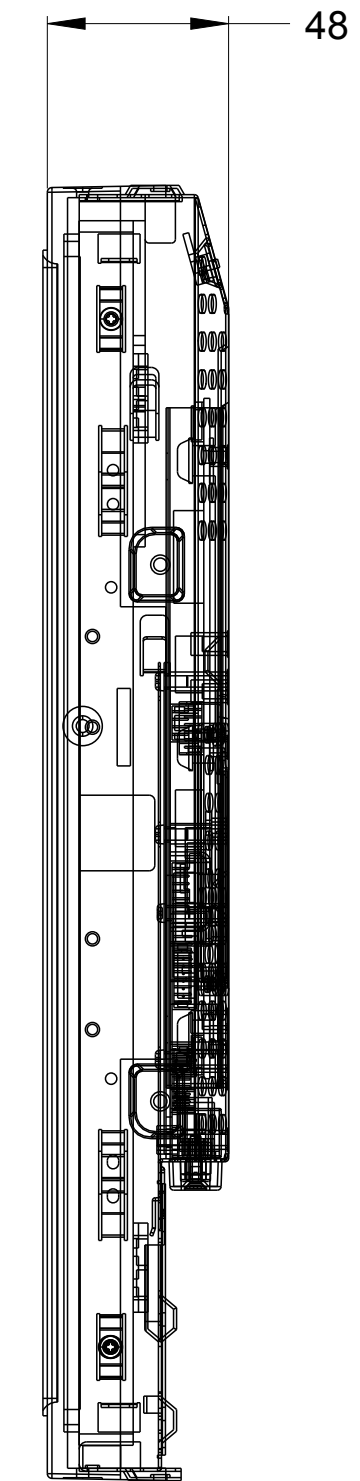
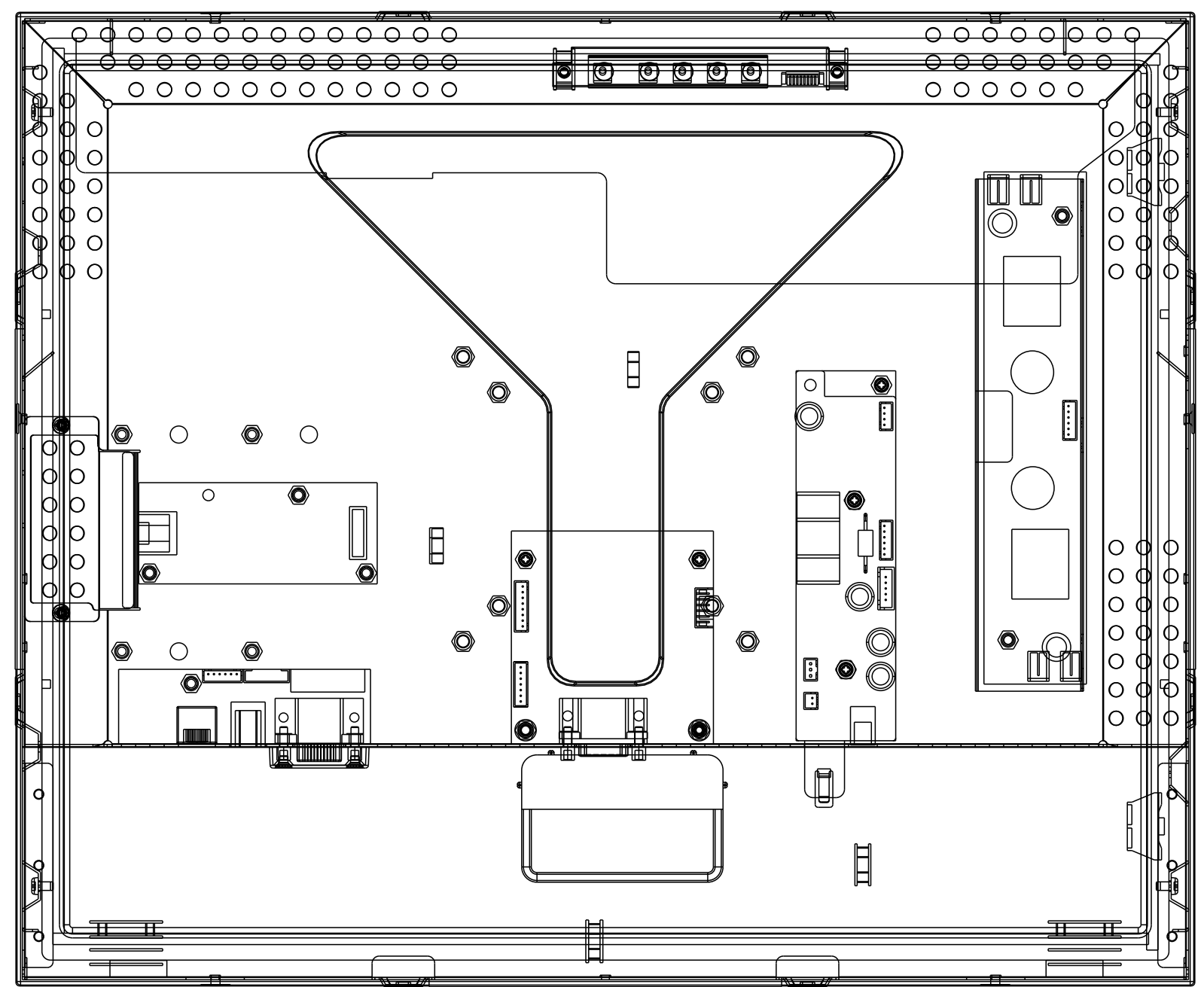
ITEM NO.	QTY REQ'D	DRAWING OR PART NO.	DESCRIPTION	MATERIAL SPECIFICATION
PARTS LIST				
PART. NO.		UNLESS OTHERWISE SPECIFIED ALL DIMENSIONS ARE IN MILLIMETERS	DRAWN -	DATE -
METRIC		TOLERANCES ARE: DECIMALS ANGLES X ± 0.50 ± 1/ 2° X ± 0.25 FRACTIONS XX ± 0.13 ± 1/ 32	CHECK	DATE
			DESIGN	DATE
DO NOT SCALE DRAWING			THIRD ANGLE PROJECTION	
Pro/E prt/asm: MS500786_E_ET1939L_APR_RCK.PRT				SIZE D
Pro/E drw: MS500786_REVH.DRW		SCALE 0.333	SHEET 3 OF 8	DWG. NO. MS500786
DIMENSIONAL DRAWING ET1939L/ ET1937L-XCWA-X				REV H

REV H
SHT 3 OF 8
DWG. NO. MS500786

PROPRIETARY TO ELO TOUCH SOLUTIONS, INC. AND SHALL NOT BE DISCLOSED OTHER THAN TO NECESSARY EMPLOYEES OR SUPPLIERS WITHOUT THE EXPRESS WRITTEN CONSENT OF ELO TOUCH SOLUTIONS INC.

REVISIONS					
REV	ZONE	BY	DESCRIPTION	DATE	APPROVED
H	--	BA	SEE SHEET 1	08/31/12	DD

APR OPTION



ITEM NO.	QTY REQ'D	DRAWING OR PART NO.	DESCRIPTION	MATERIAL SPECIFICATION
PARTS LIST				
PART. NO.		UNLESS OTHERWISE SPECIFIED ALL DIMENSIONS ARE IN MILLIMETERS	DRAWN -	DATE -
METRIC		TOLERANCES ARE: DECIMALS ANGLES X ± 0.50 ± 1/ 2° X ± 0.25 FRACTIONS XX ± 0.13 ± 1/ 32	CHECK	DATE
			DESIGN	DATE
DO NOT SCALE DRAWING			THIRD ANGLE PROJECTION	
Pro/E prt/asm: MS500786_E_ET1939L_APR.PRT				SIZE D
Pro/E drw: MS500786_REVH.DRW		SCALE 0.500	SHEET 4 OF 8	DWG. NO. MS500786
				REV H

REV H
SHT 4 OF 8
DWG. NO. MS500786

D
C
B
A

8

7

6

5

4

3

2

1

8

7

6

5

4

3

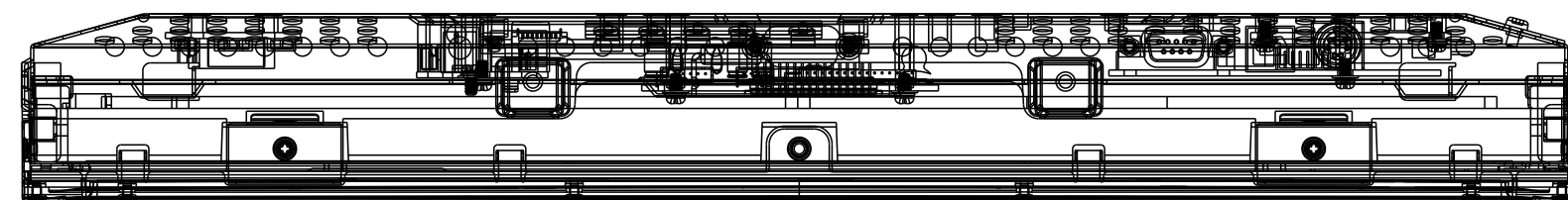
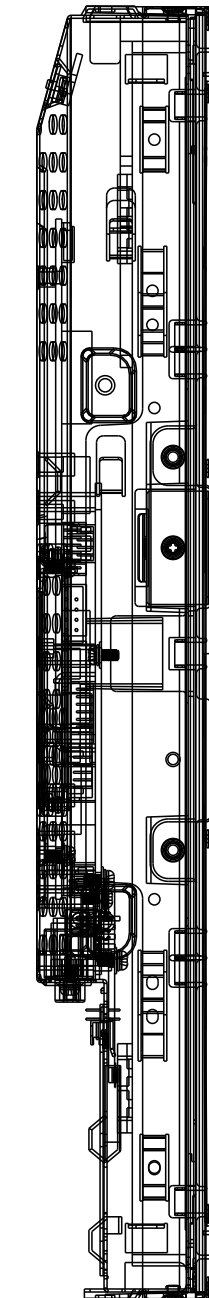
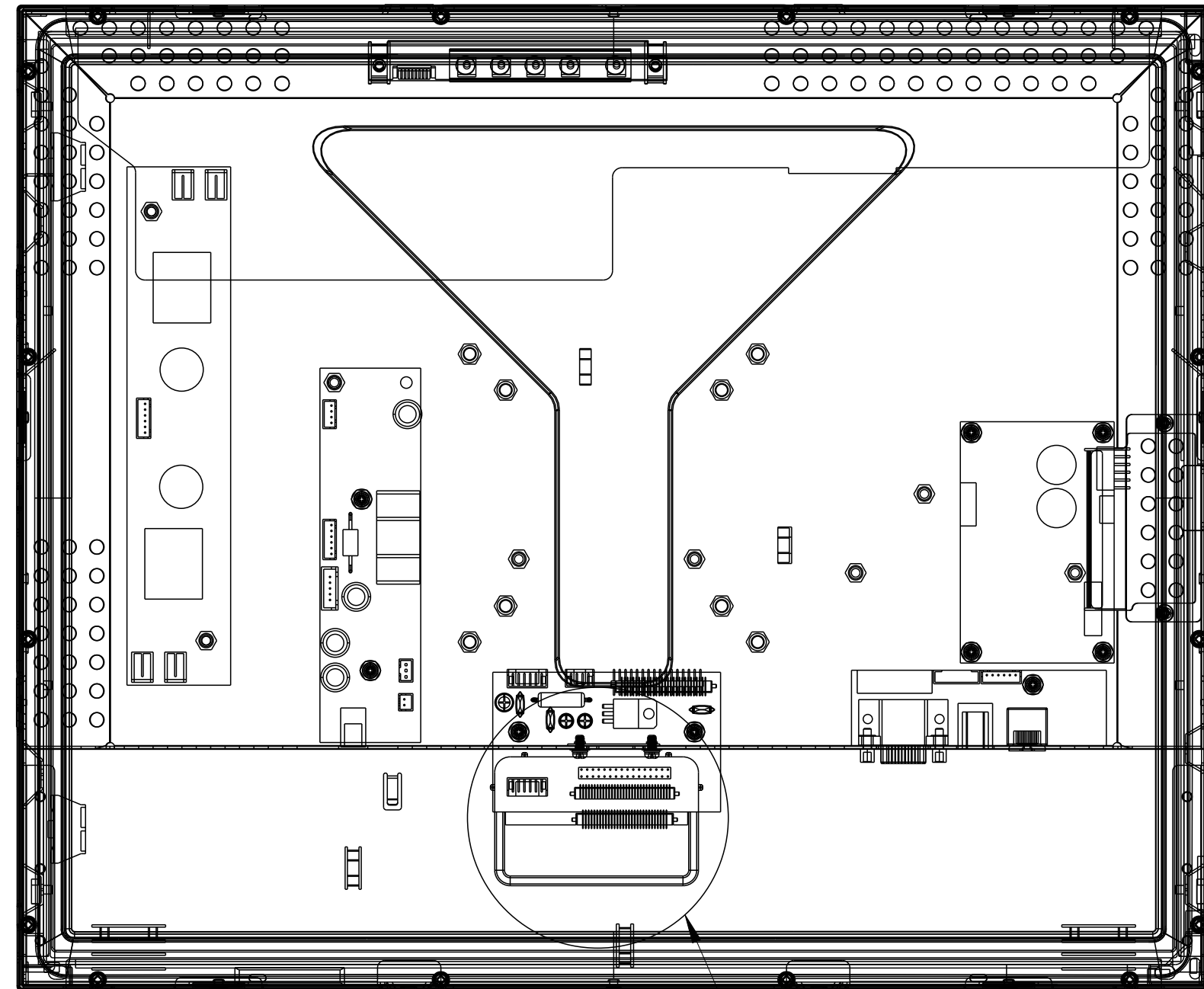
2

1

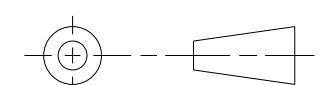
PROPRIETARY TO ELO TOUCH SOLUTIONS, INC. AND SHALL NOT BE DISCLOSED OTHER THAN TO NECESSARY EMPLOYEES OR SUPPLIERS WITHOUT THE EXPRESS WRITTEN CONSENT OF ELO TOUCH SOLUTIONS INC.

REVISIONS					
REV	ZONE	BY	DESCRIPTION	DATE	APPROVED
H	--	BA	SEE SHEET 1	08/31/12	DD

LVDS OPTION (FOR ET1939L ONLY)



SEE USER GUIDE FOR LVDS CONNECTION DETAILS

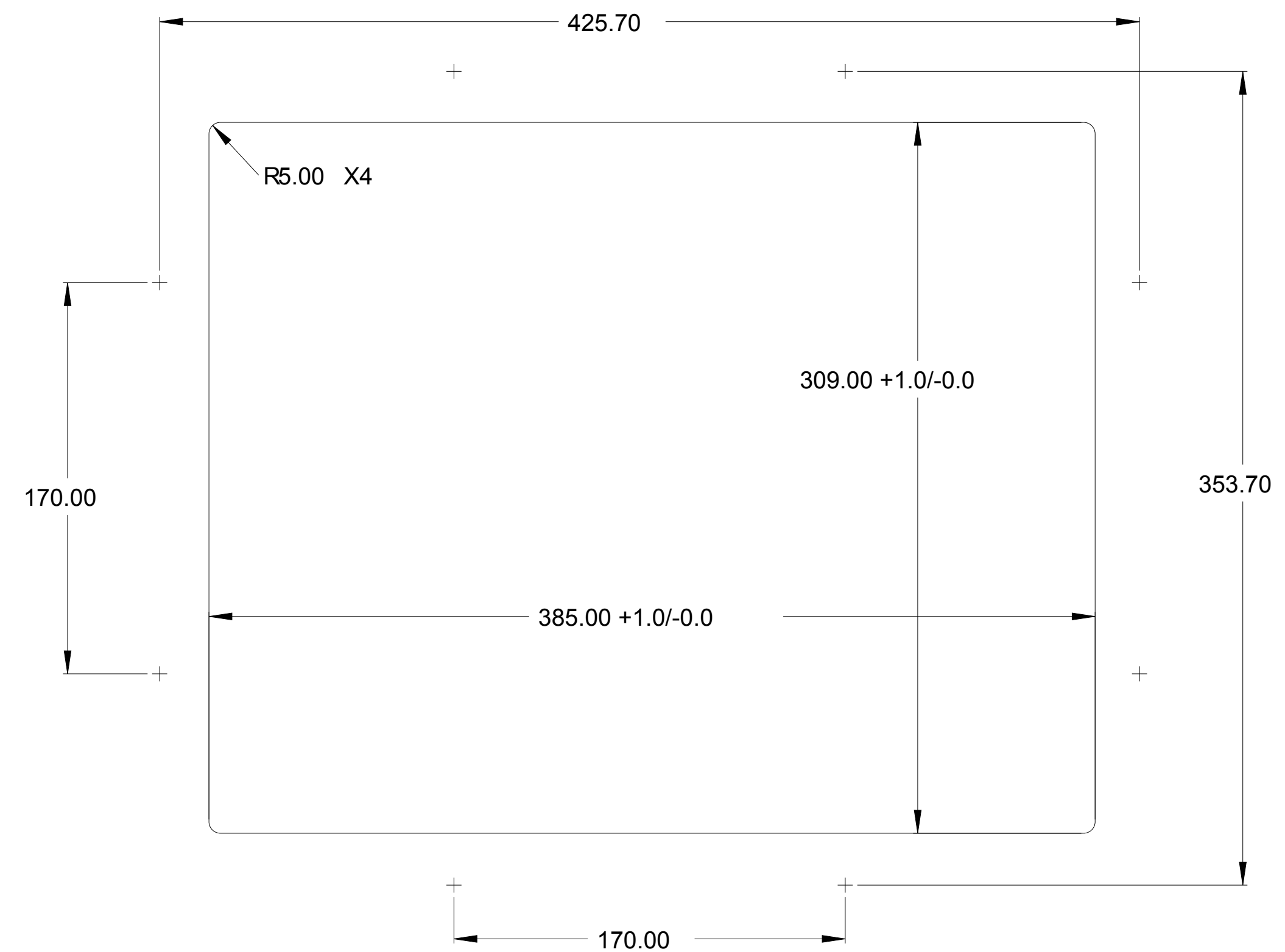
ITEM NO.	QTY REQ'D	DRAWING OR PART NO.	DESCRIPTION	MATERIAL SPECIFICATION
PARTS LIST				
PART. NO.		UNLESS OTHERWISE SPECIFIED ALL DIMENSIONS ARE IN MILLIMETERS	DRAWN -	DATE -
METRIC		TOLERANCES ARE: DECIMALS ANGLES X ± 0.50 ± 1/ 2" X ± 0.25 FRACTIONS XX ± 0.13 ± 1/ 32	CHECK	DATE
			DESIGN	DATE
DO NOT SCALE DRAWING		THIRD ANGLE PROJECTION		TITLE
Pro/E prt/asm: MS500786_E_ET1939L_APR.PRT				DIMENSIONAL DRAWING ET1939L/ ET1937L-XCWA-X
Pro/E drw: MS500786_REVH.DRW				
		D	0.333	5 OF 8
		DWG. NO.	REV	
		MS500786	H	

H REV
 B REV
 C REV
 D REV
 5 OF 8
 MS500786
 DWG. NO.

PROPRIETARY TO ELO TOUCH SOLUTIONS, INC. AND SHALL NOT BE DISCLOSED OTHER THAN TO NECESSARY EMPLOYEES OR SUPPLIERS WITHOUT THE EXPRESS WRITTEN CONSENT OF ELO TOUCH SOLUTIONS INC.

REVISIONS					
REV	ZONE	BY	DESCRIPTION	DATE	APPROVED
H	--	BA	SEE SHEET 1	08/31/12	DD

RECOMMENDED CUSTOMER PANEL CUT-OUT (SEE NOTE A)



NOTE A
CUSTOMER PANEL MATERIAL:

1. WOOD: \varnothing 4.5 HOLES THRU FOR M4 SCREWS W/NUTS, OR, NO THRU HOLES, SCREWS FOR WOOD \varnothing 4mm
2. SHEET METAL: CONCEALED HEAD THREADED STUDS M4 W/NUTS.

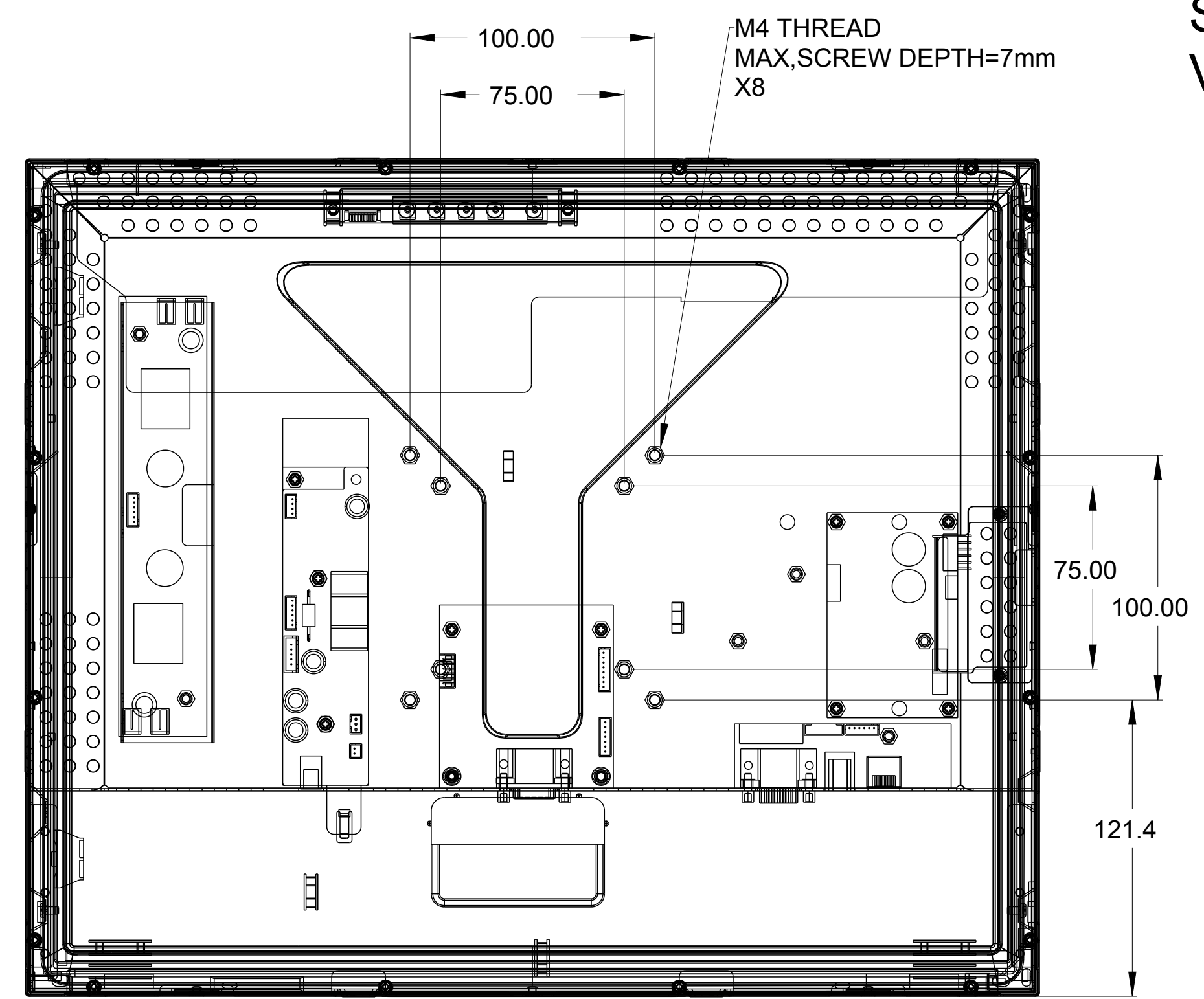
NOTE B
MONITOR INCLUDES 2 BRACKETS. ADDITIONAL BRACKETS AVAILABLE, P/N E147211

NOTE C
33.3mm=SECURE TOUCH
33.2mm=IR
30.2mm=APR

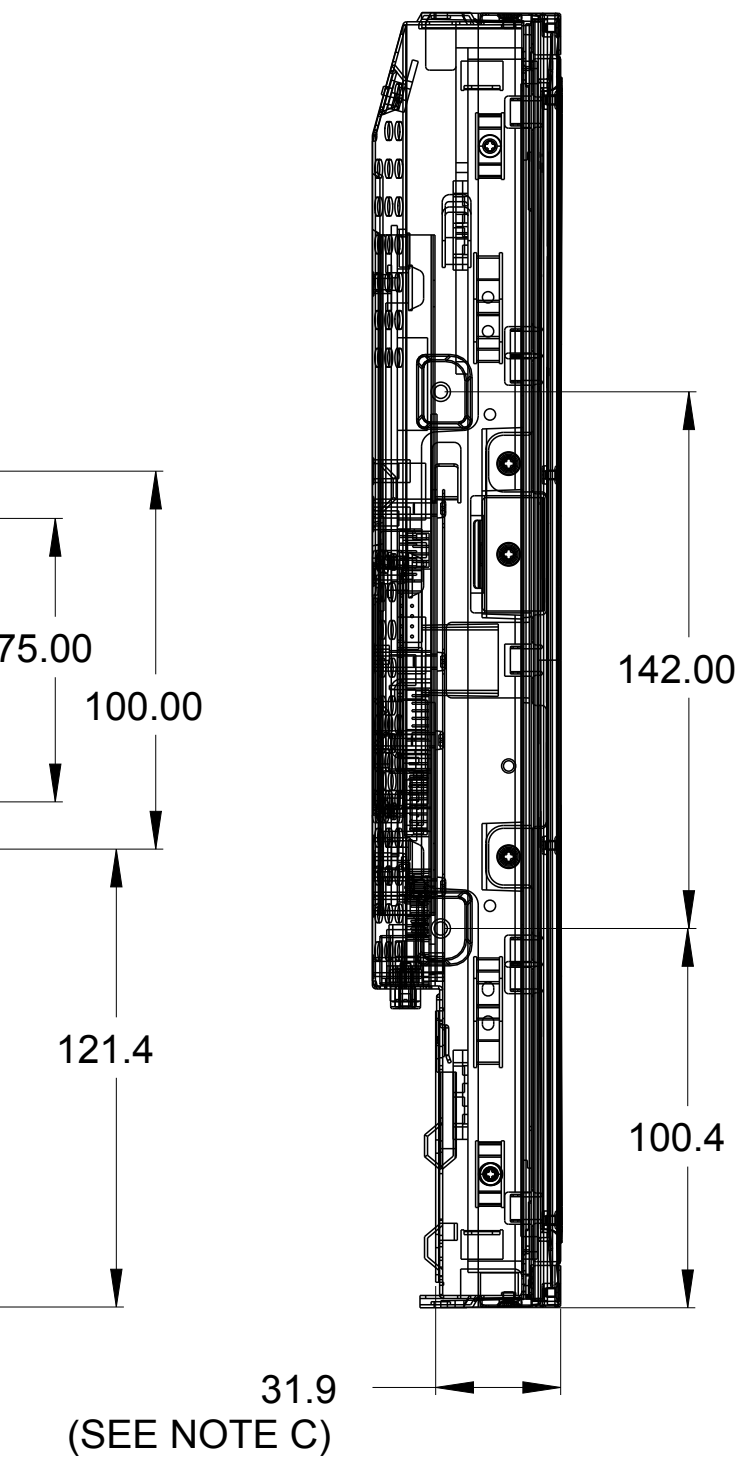
NOTE D
15.9mm=SECURE TOUCH
15.8mm=IR
12.5mm=APR

NOTE E
1.6mm=SECURE TOUCH
1.7mm=IR
5.0mm=APR

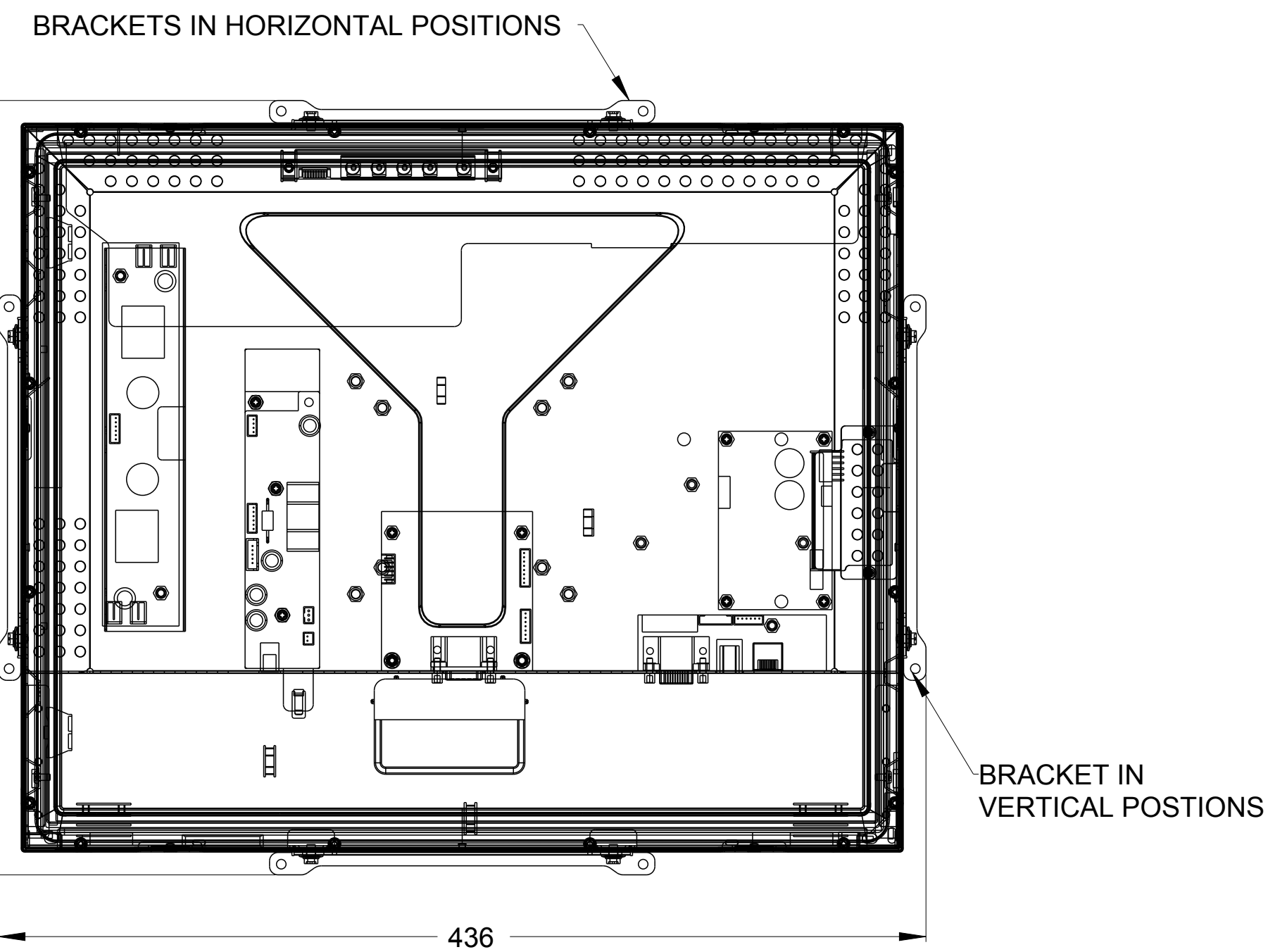
VESA MOUNT



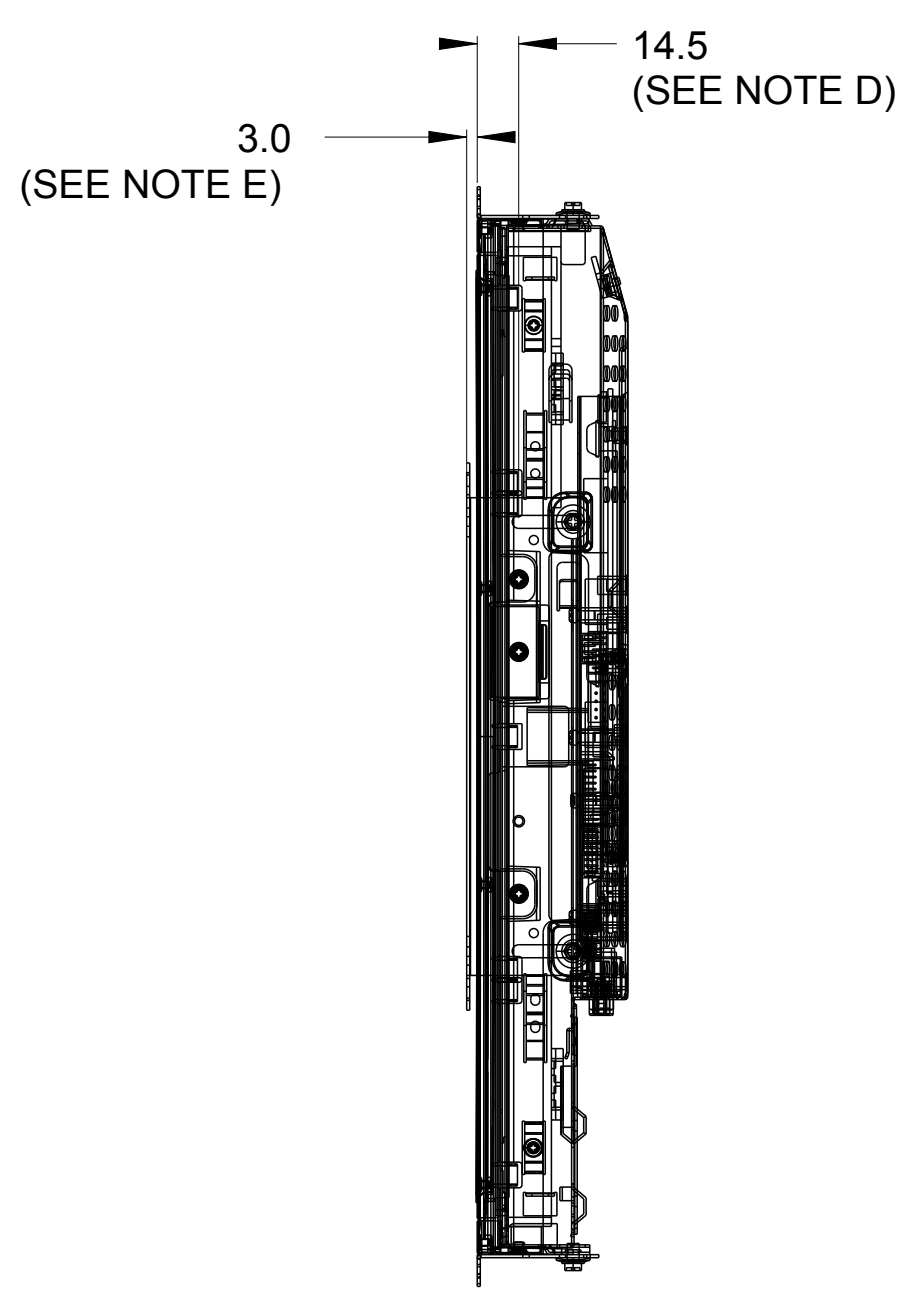
SIDE MOUNT, VERTICAL



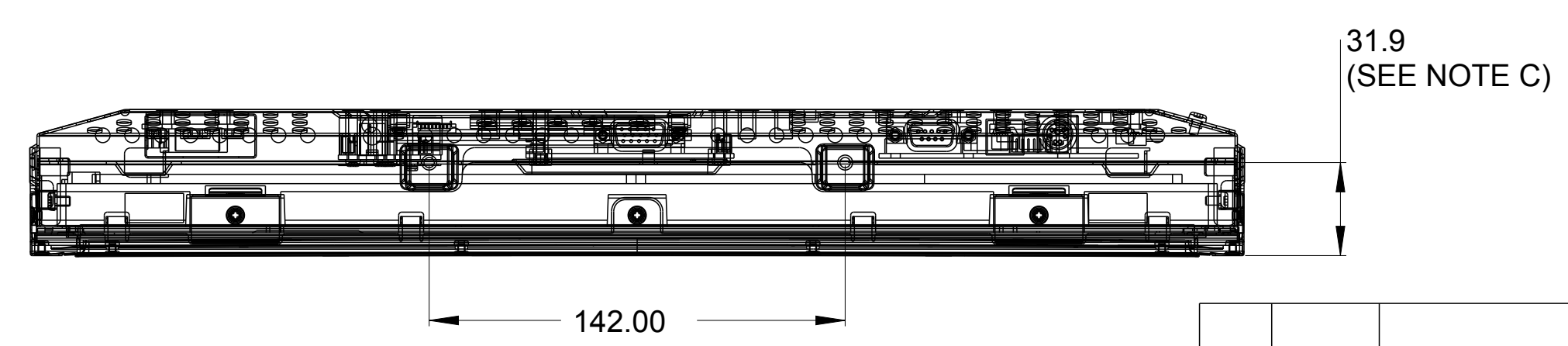
REAR MOUNT WITH BRACKETS, HORIZONTAL AND VERTICAL (SEE NOTE B)



MOUNTING BRACKET ADJUSTMENT RANGE



SIDE MOUNT, HORIZONTAL

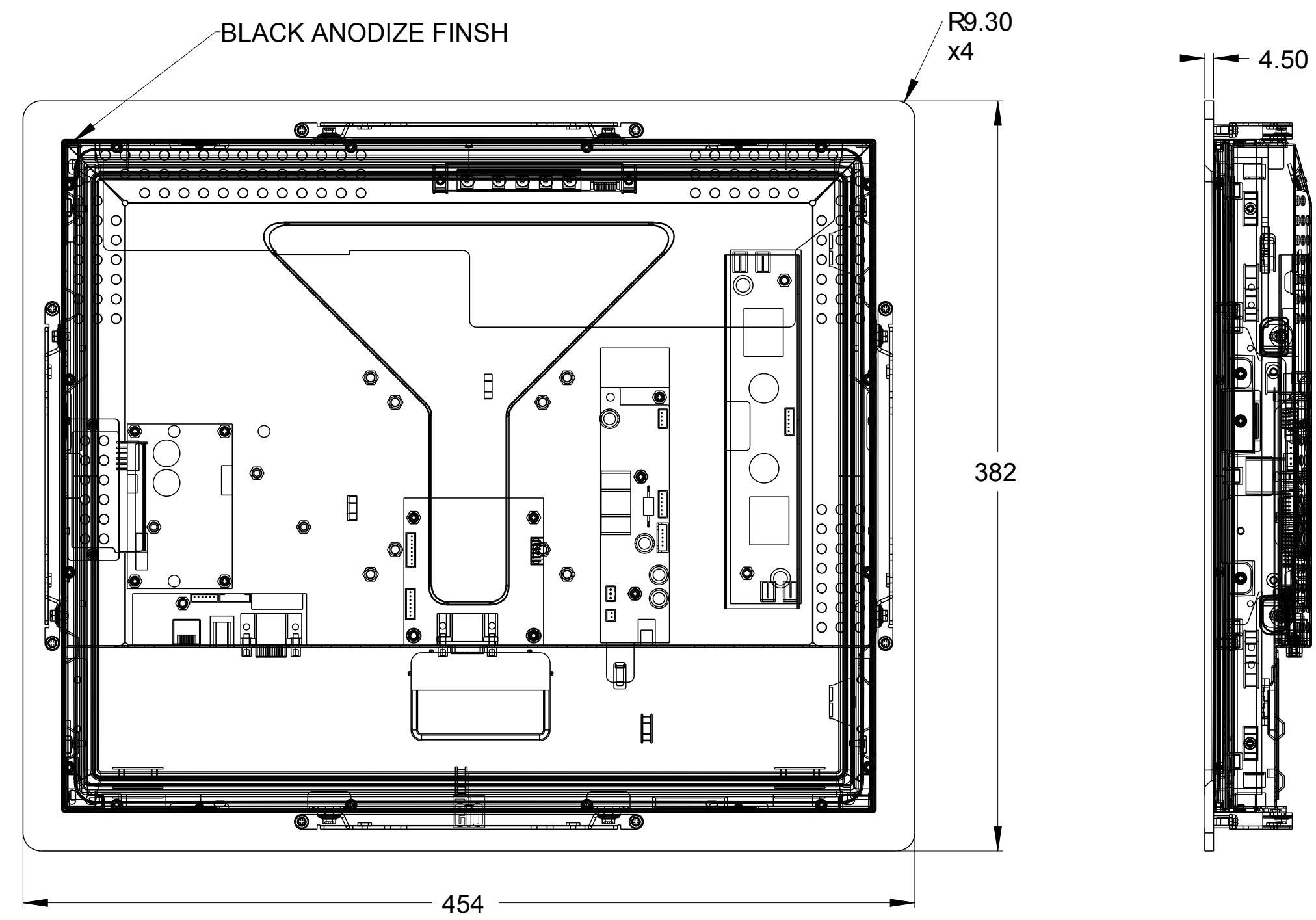


ITEM NO.	QTY REQ'D	DRAWING OR PART NO.	DESCRIPTION	MATERIAL SPECIFICATION
PARTS LIST				
PART. NO.		UNLESS OTHERWISE SPECIFIED ALL DIMENSIONS ARE IN MILLIMETERS	DRAWN -	DATE -
METRIC		TOLERANCES ARE: DECIMALS ANGLES X ± 0.50 ± 1/ 2" X ± 0.25 FRACTIONS XX ± 0.13 ± 1/ 32	CHECK	DATE
			DESIGN	DATE
DO NOT SCALE DRAWING		THIRD ANGLE PROJECTION		TITLE
Prof/E. prt/asm: MS500786_E_ET1939L_APR.PRT		Prof/E. drw: MS500786_REVH.DRW		DIMENSIONAL DRAWING ET1939L/ ET1937L-XCWA-X
SIZE	SCALE	SHEET	DWG. NO.	REV
D	0.333	6 OF 8	MS500786	H

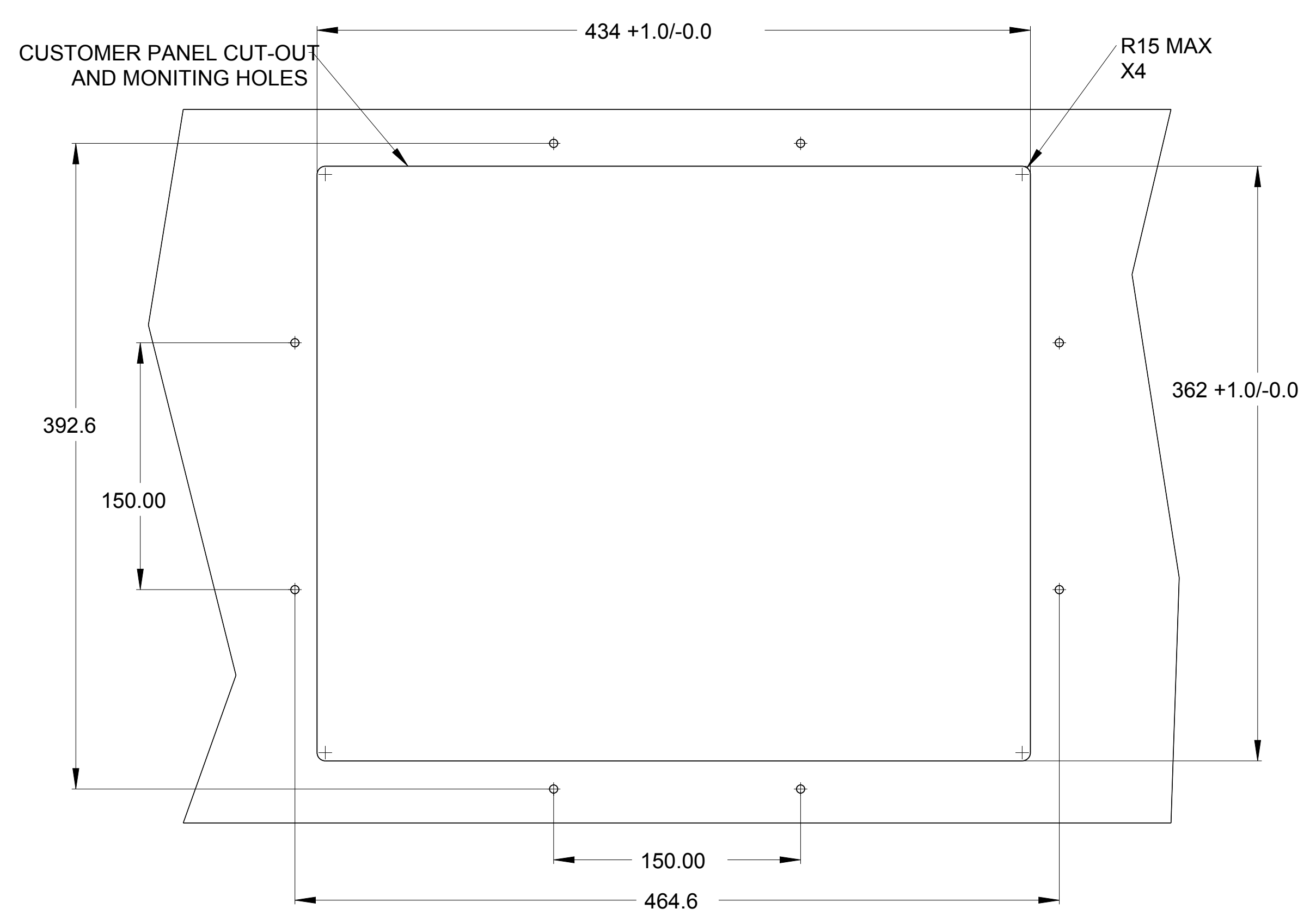
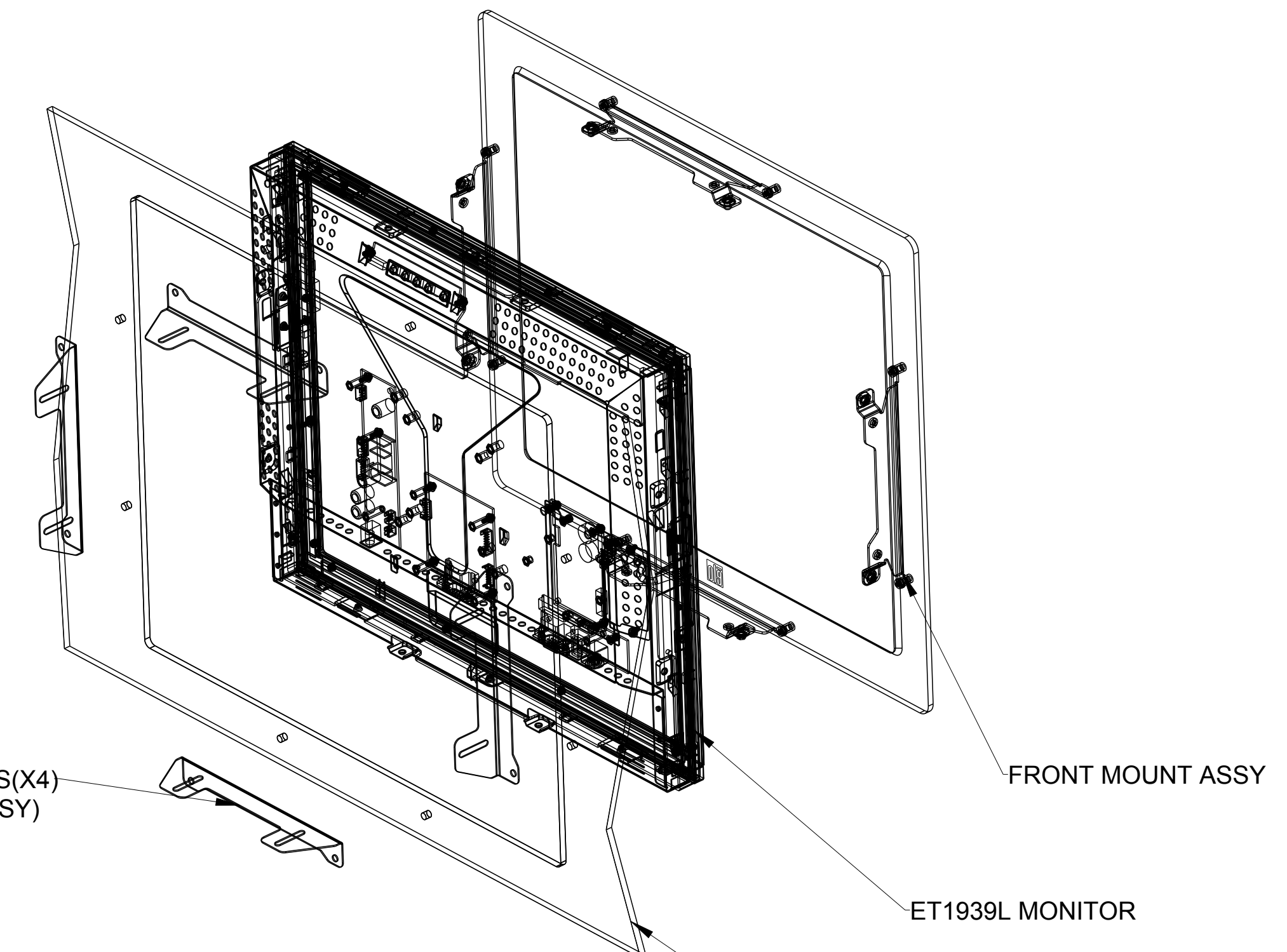
DWG. NO. MS500786 REV. H

PROPRIETARY TO ELO TOUCH SOLUTIONS, INC. AND SHALL NOT BE DISCLOSED OTHER THAN TO NECESSARY EMPLOYEES OR SUPPLIERS WITHOUT THE EXPRESS WRITTEN CONSENT OF ELO TOUCH SOLUTIONS INC.

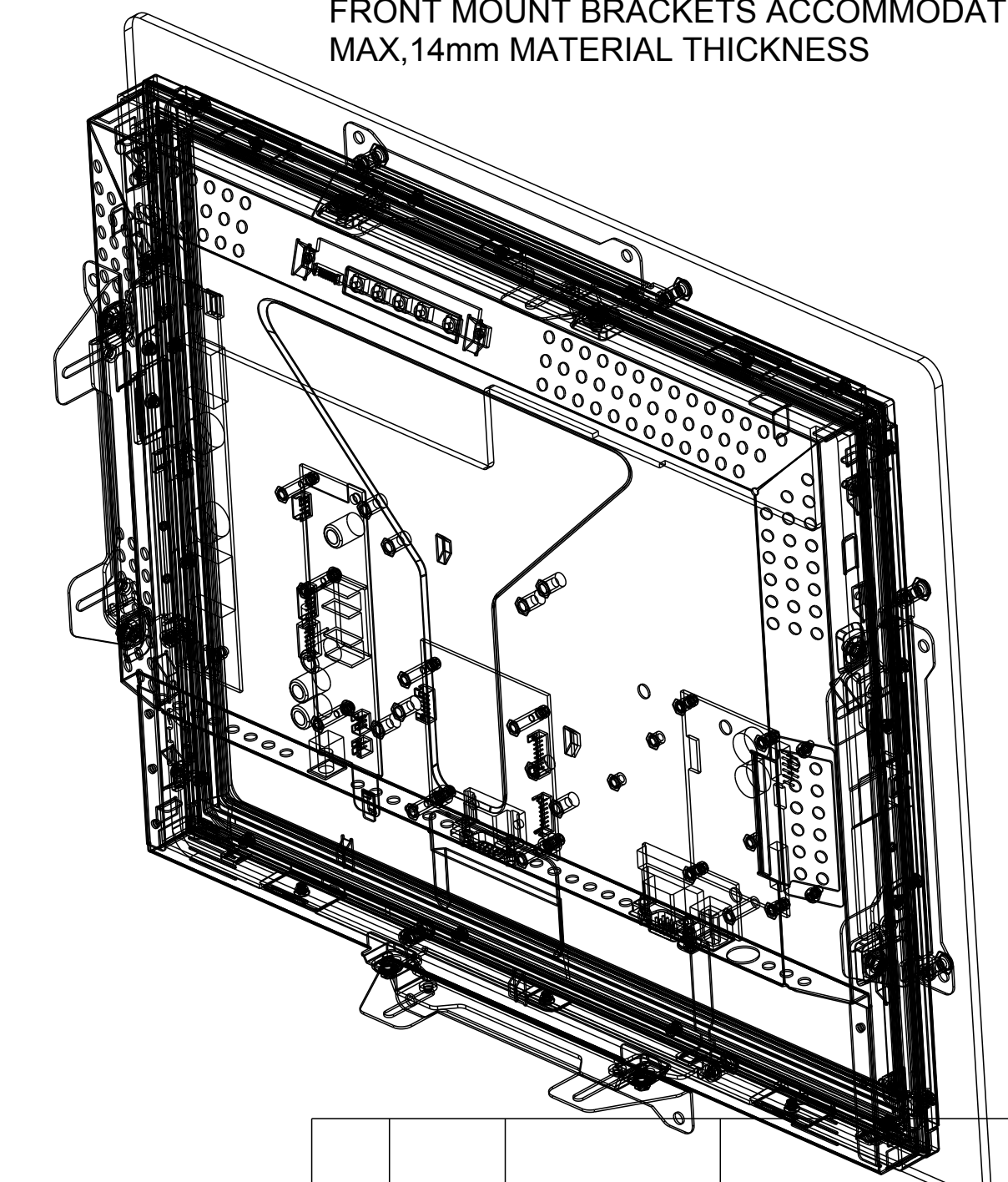
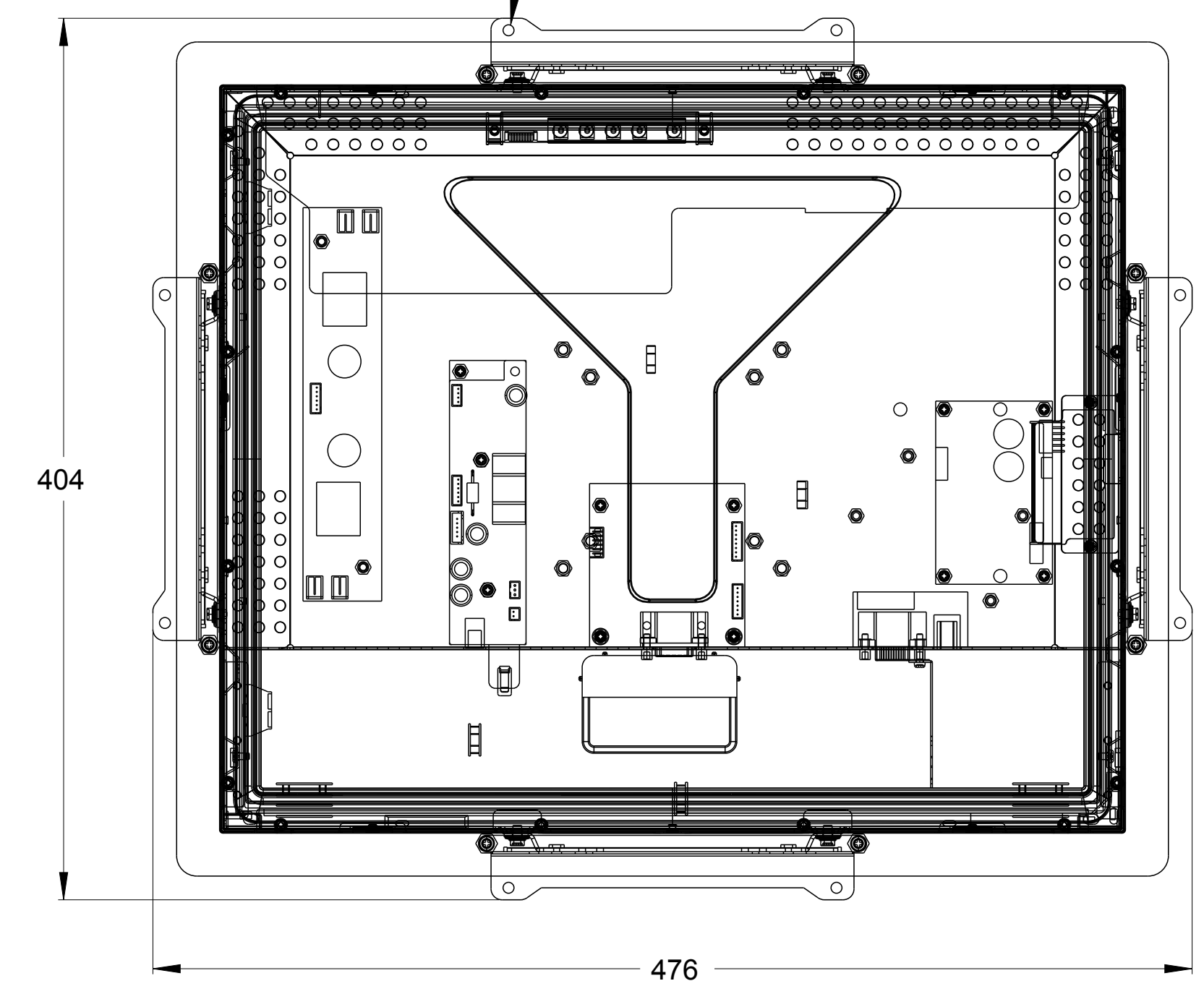
REVISIONS					
REV	ZONE	BY	DESCRIPTION	DATE	APPROVED
H	--	BA	SEE SHEET 1	08/31/12	DD



FRONT MOUNT OPTION P/N E163604 (ORDERED SEPERATLY,CUSTOMER ASSEMBLED)



NOTE: 1. IF CUSTOMER PANEL MATERIAL IS WOOD:
Ø 4.5mm HOLES THRU FOR M4 SCREWS, OR NO THRU
HOLES,SCREWS FOR WOOD Ø 4mm. 2.IF CUSTOMER
PANEL MATERIAL IS SHEET METAL: CONCEALED
HEAD THREADED STUDS M4 WITH NUTS



ITEM NO.	QTY REQ'D	DRAWING OR PART NO.	DESCRIPTION	MATERIAL SPECIFICATION
PARTS LIST				
PART. NO.		UNLESS OTHERWISE SPECIFIED ALL DIMENSIONS ARE IN MILLIMETERS	DRAWN - CHECK - DESIGN -	DATE - DATE - DATE -
METRIC DO NOT SCALE DRAWING <small>Pro/E prt/asm: MS500786_E_ET1939L_APR.PRT Pro/E drw: MS500786_REVH.DRW</small>		TOLERANCES ARE:	TITLE	
		DECIMALS ±1/2" ANGLES ±1° FRACTIONS ±1/32	DIMENSIONAL DRAWING ET1939L/ ET1937L-XCWA-X	
<small>Pro/E prt/asm: MS500786_E_ET1939L_APR.PRT Pro/E drw: MS500786_REVH.DRW</small>		THIRD ANGLE PROJECTION		
SIZE	SCALE	SHEET	DWG. NO.	
D	0.333	7 OF 8	MS500786	H

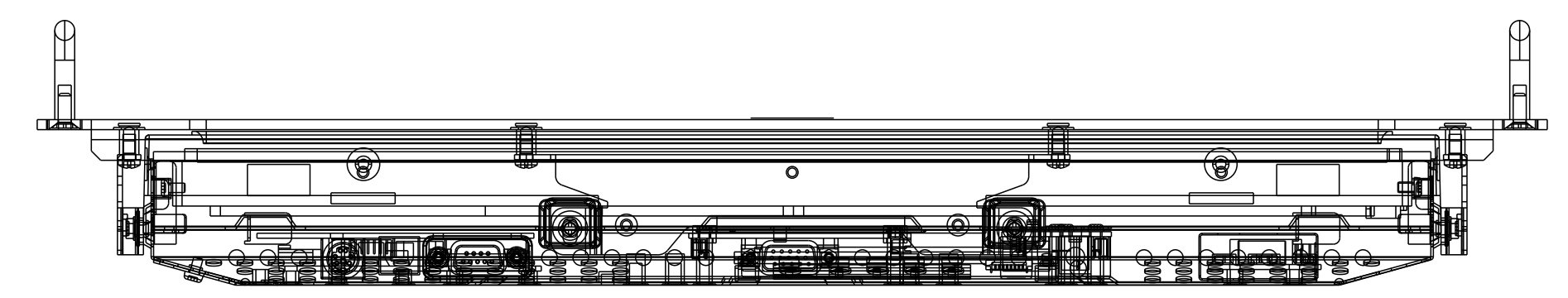
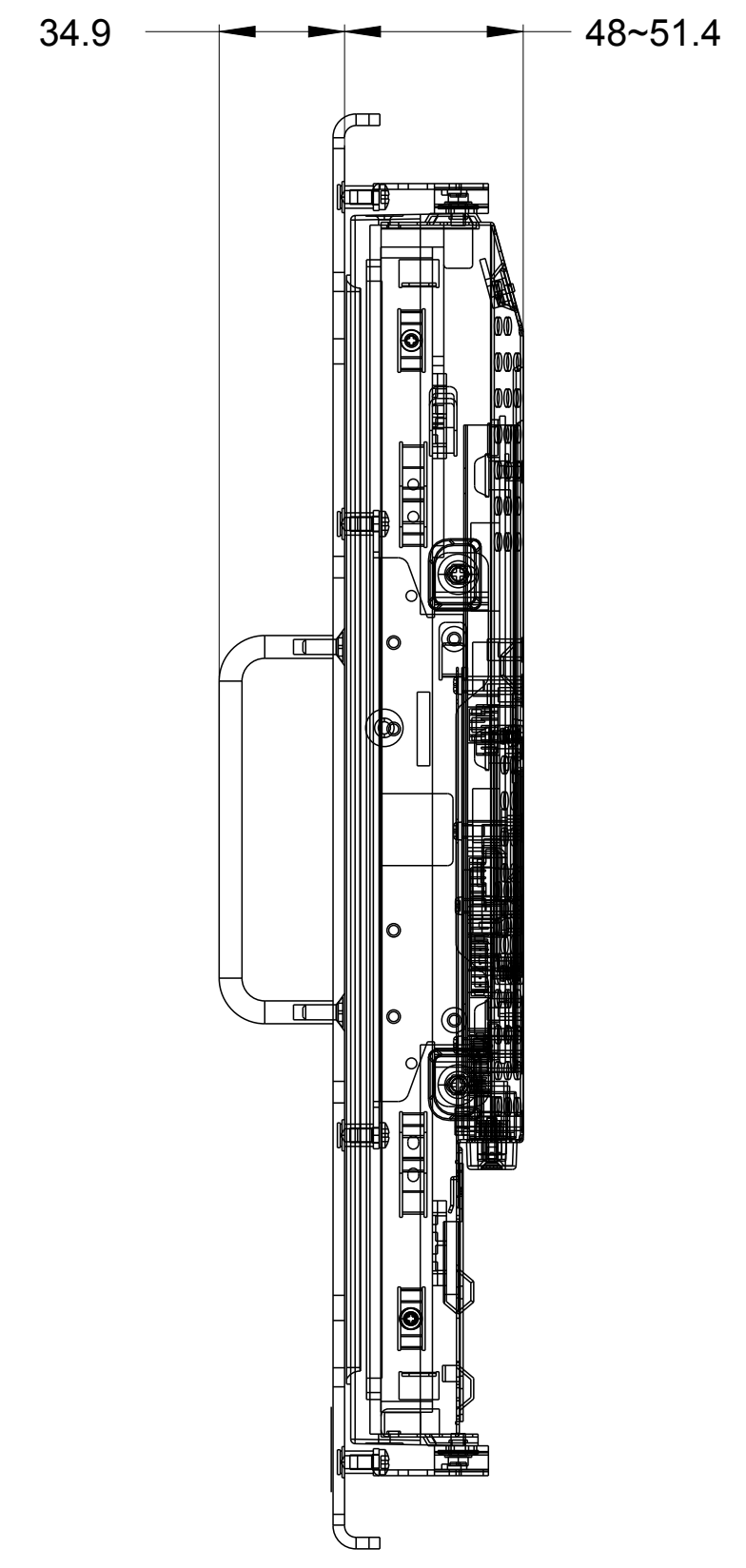
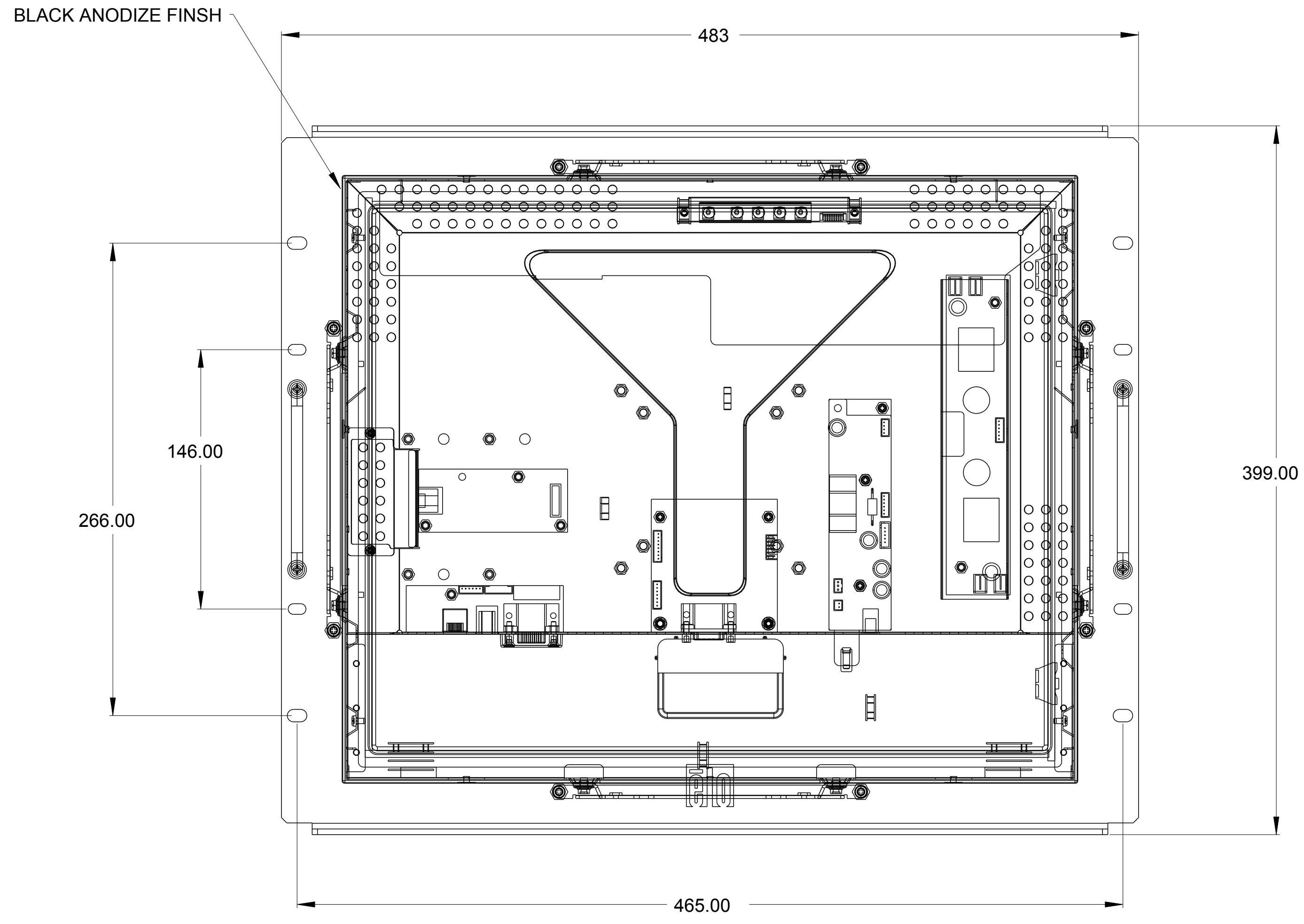
MS500786
SHT 7 OF 8
REV H

PROPRIETARY TO ELO TOUCH SOLUTIONS, INC. AND SHALL NOT BE DISCLOSED OTHER THAN TO NECESSARY EMPLOYEES OR SUPPLIERS WITHOUT THE EXPRESS WRITTEN CONSENT OF ELO TOUCH SOLUTIONS INC.

REVISIONS					
REV	ZONE	BY	DESCRIPTION	DATE	APPROVED
H	--	BA	SEE SHEET 1	08/31/12	DD

RACK MOUNT OPTION P/N E579652

(ORDERED SEPERATLY,CUSTOMER ASSEMBLED)



ITEM NO.	QTY REQ'D	DRAWING OR PART NO.	DESCRIPTION	MATERIAL SPECIFICATION
PARTS LIST				

PART. NO.	UNLESS OTHERWISE SPECIFIED ALL DIMENSIONS ARE IN MILLIMETERS	DRAWN KEN NORTH-	DATE -	TITLE DIMENSIONAL DRAWING ET1939L/ ET1937L-XCWA-X	
METRIC	TOLERANCES ARE: DECIMALS ANGLES X ± 0.50 ± 1/ 2° X ± 0.25 FRACTIONS XX ± 0.13 ± 1/ 32	CHECK DATE	DATE -		
DO NOT SCALE DRAWING				THIRD ANGLE PROJECTION	
Pro/E prt/asm: MS500786_E_ET1939L_APR.PRT				SIZE D	SCALE 0.333
Pro/E drw: MS500786_REVH.DRW		SHEET 8 OF 8	DWG. NO. MS500786	REV H	

REV H
SHEET 8 OF 8
DWG. NO. MS500786