

8

7

6

5

4

3

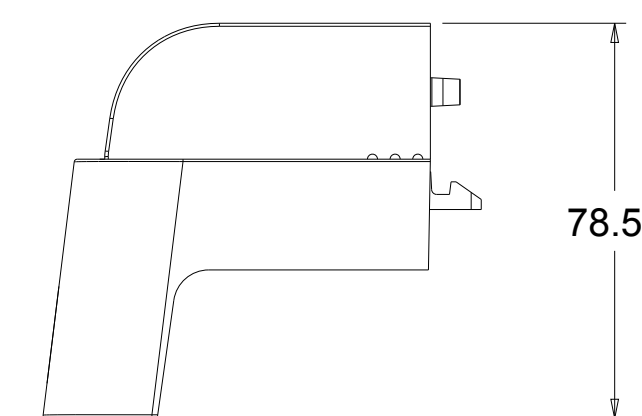
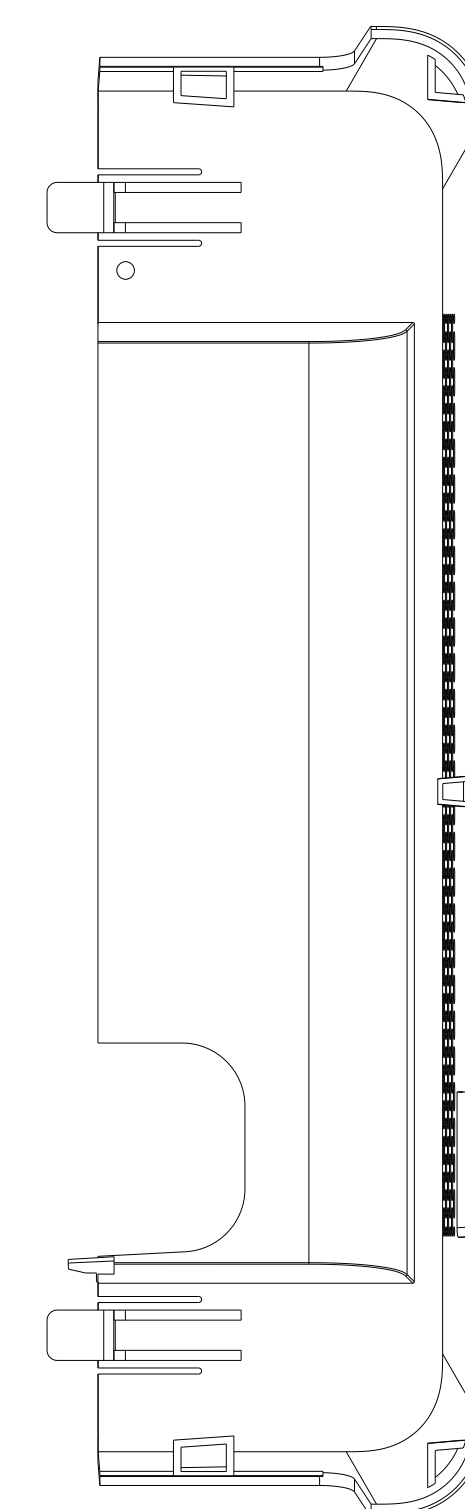
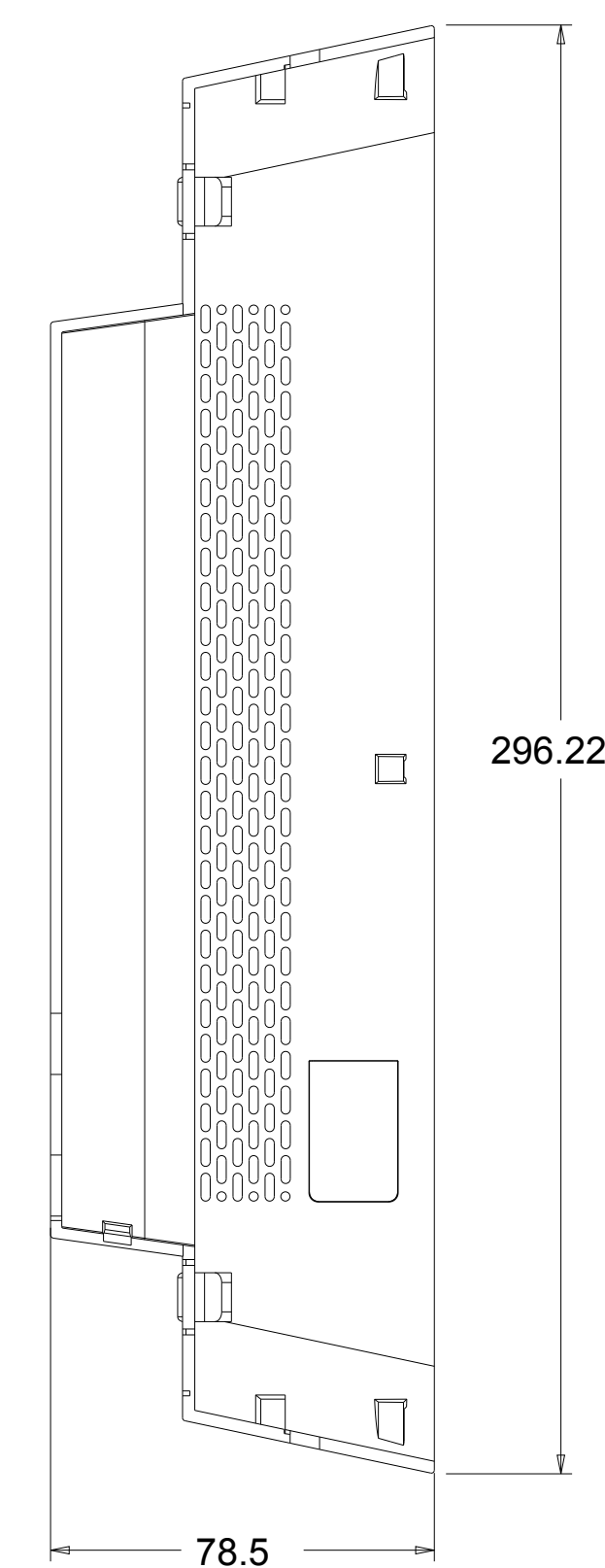
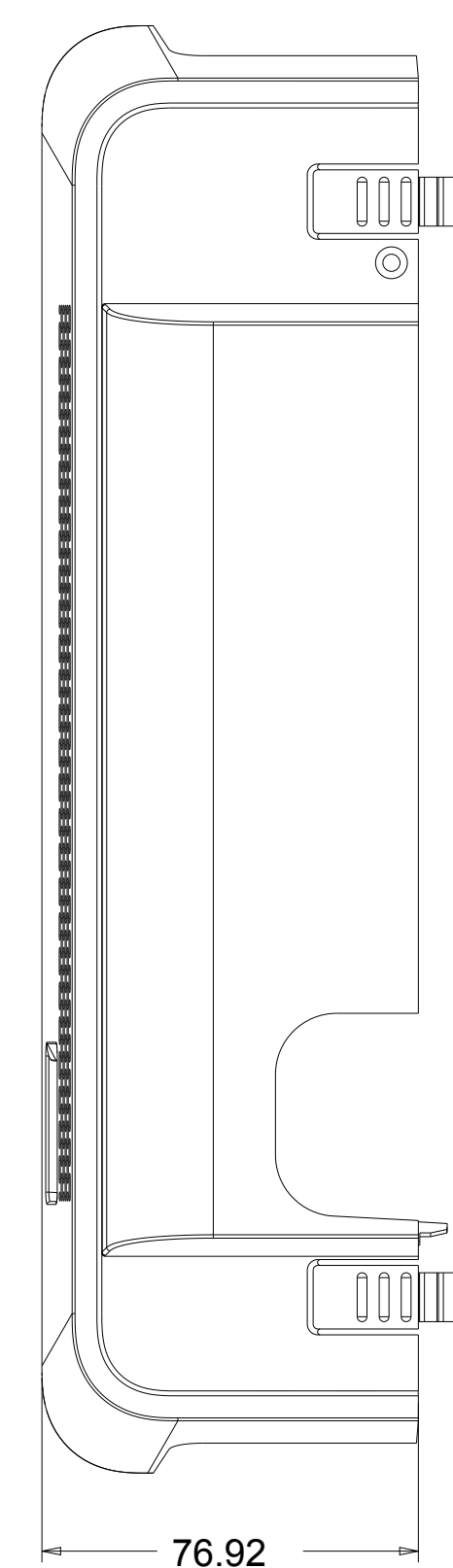
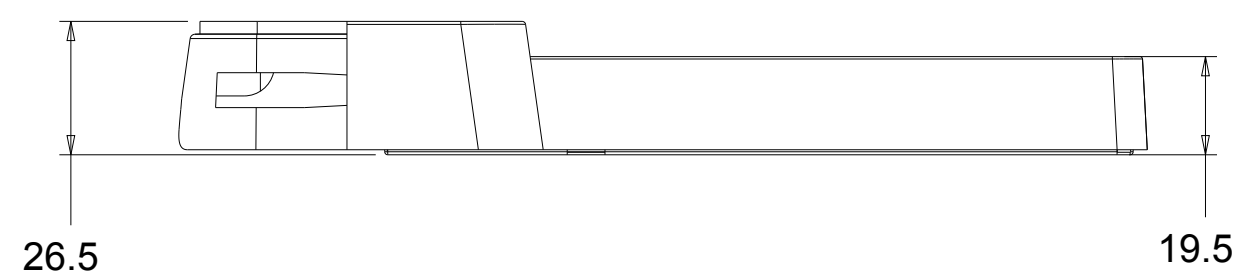
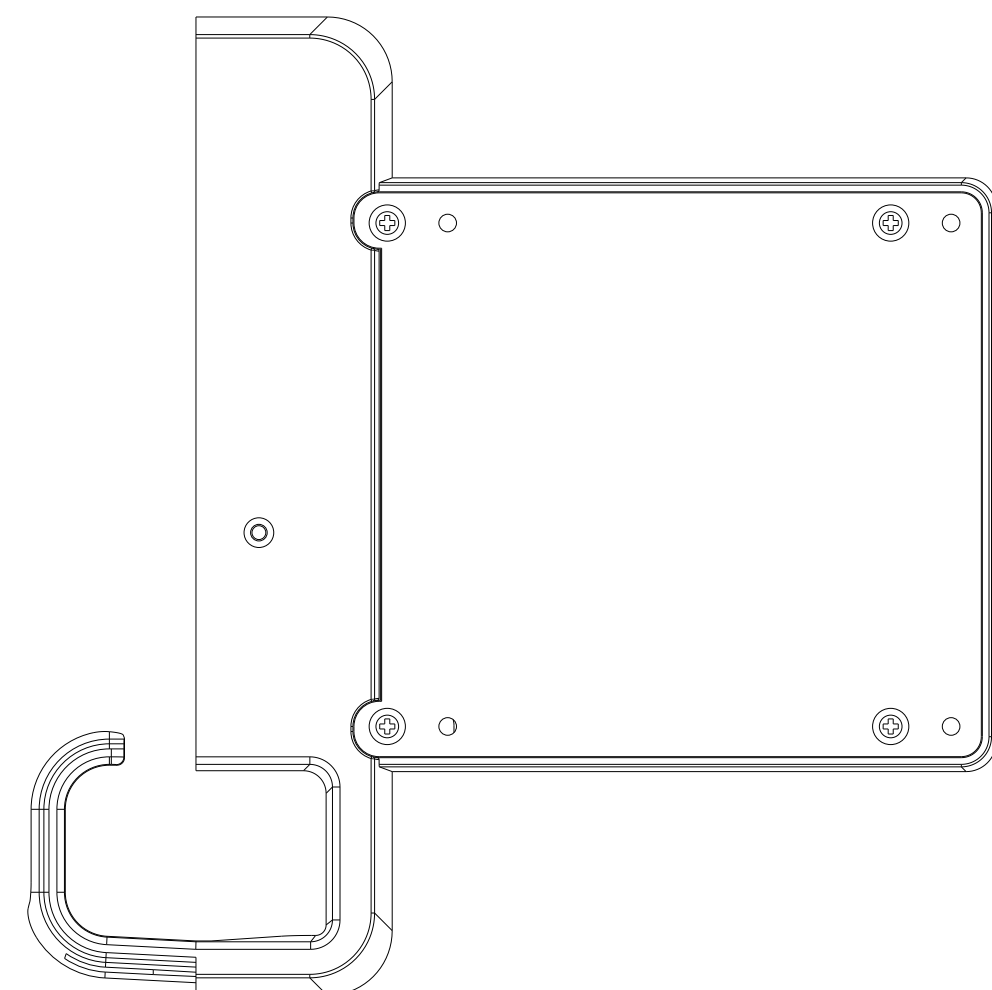
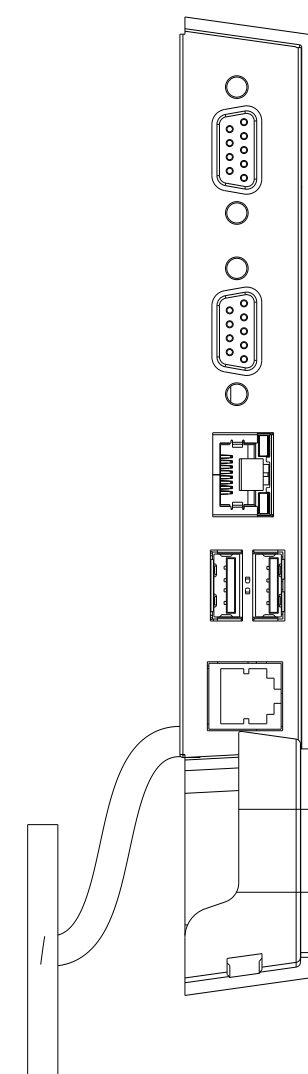
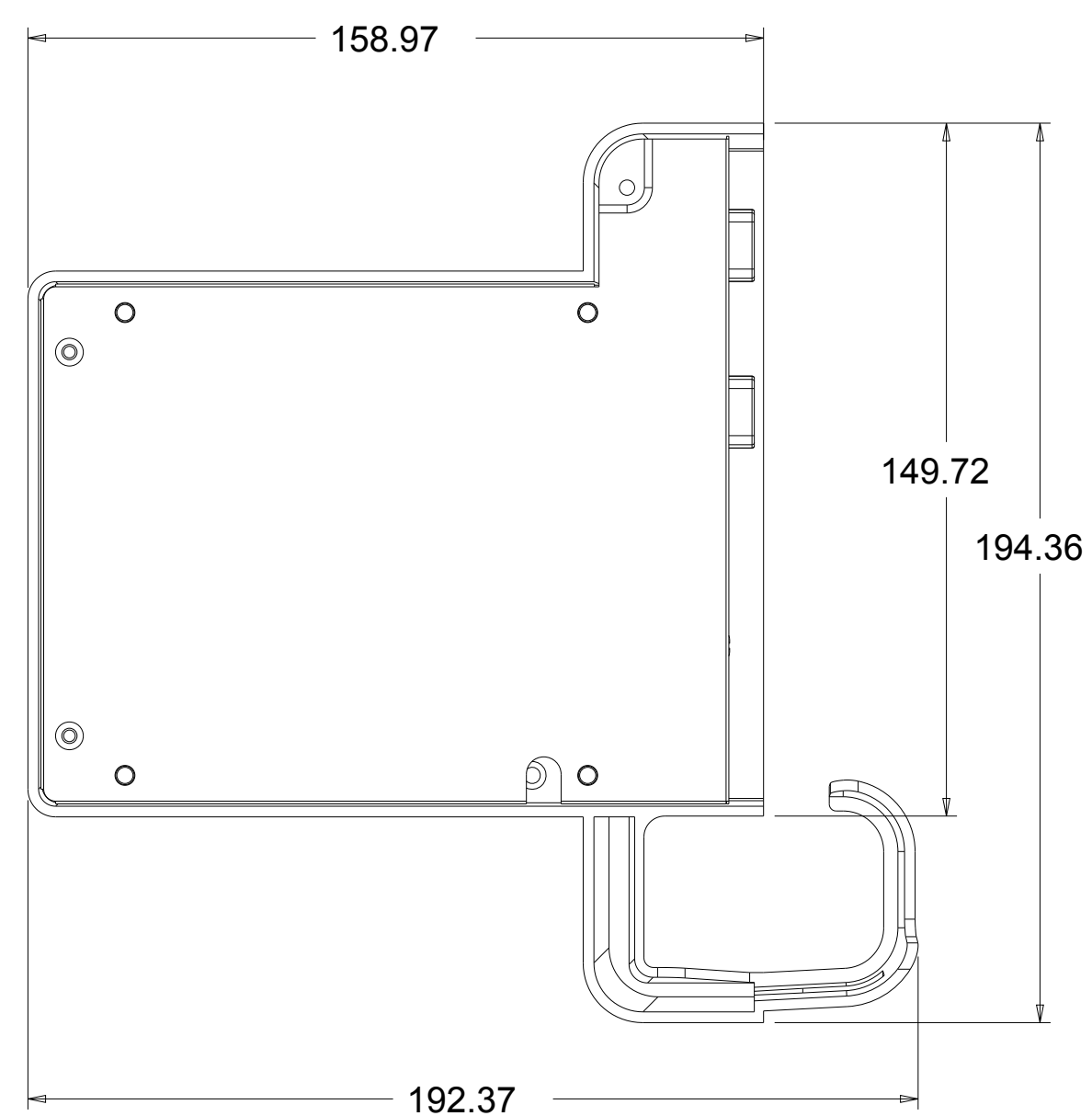
2

1

REVISIONS					
REV	ZONE	BY	DESCRIPTION	DATE	APPROVED
1	--	-	INITIAL RELEASE		

EXPANSION MODULE

EXPANSION MODULE CABLE COVER



ITEM NO.	QTY REQ'D	DRAWING OR PART NO.	DESCRIPTION	MATERIAL SPECIFICATION
1	5	EXXXXX	XXXX	

PART. NO. --		UNLESS OTHERWISE SPECIFIED ALL DIMENSIONS ARE IN MILLIMETERS		DRAWN -	DATE 00.00.00	TITLE				
METRIC		TOLERANCES ARE: DECIMALS ANGLES ± 0.25 ±1 / 2 ° FRACTIONS ±1 / 32		CHECK -	DATE 00.00.00	DRAWING, EXPANSION MODULE, ESY X-SERIES				
DO NOT SCALE DRAWING				DESIGN -	DATE 00.00.00					
Pro/E prt/asm: G2B_XMOD.PRT				THIRD ANGLE PROJECTION						
Pro/E drw: SD604463.DRW						SIZE D	SCALE 0.666	SHEET 1 OF 1	DWG. NO. SD604463	REV A

8

7

6

5

4

3

2

1

DWG. NO. SD604463