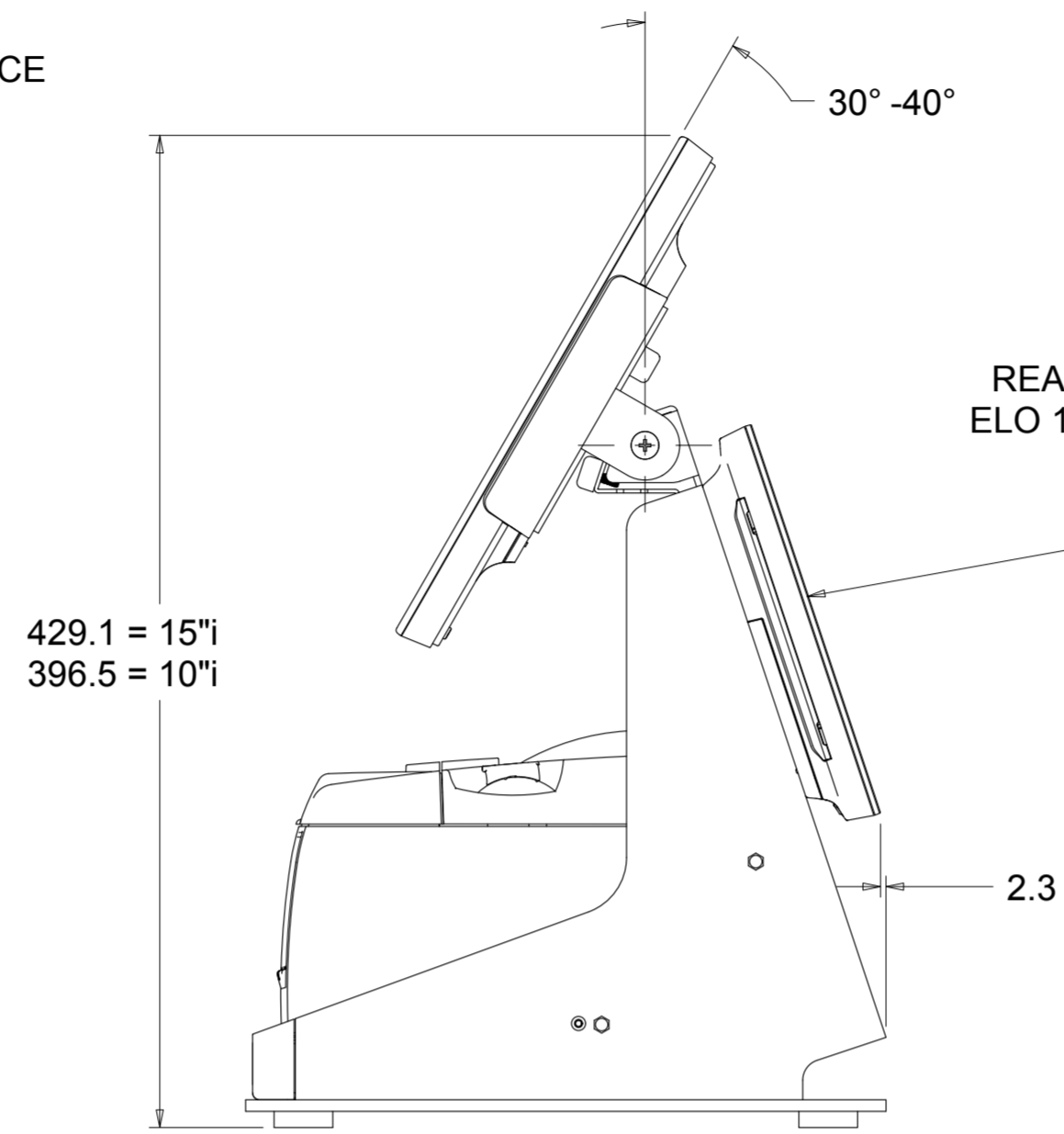
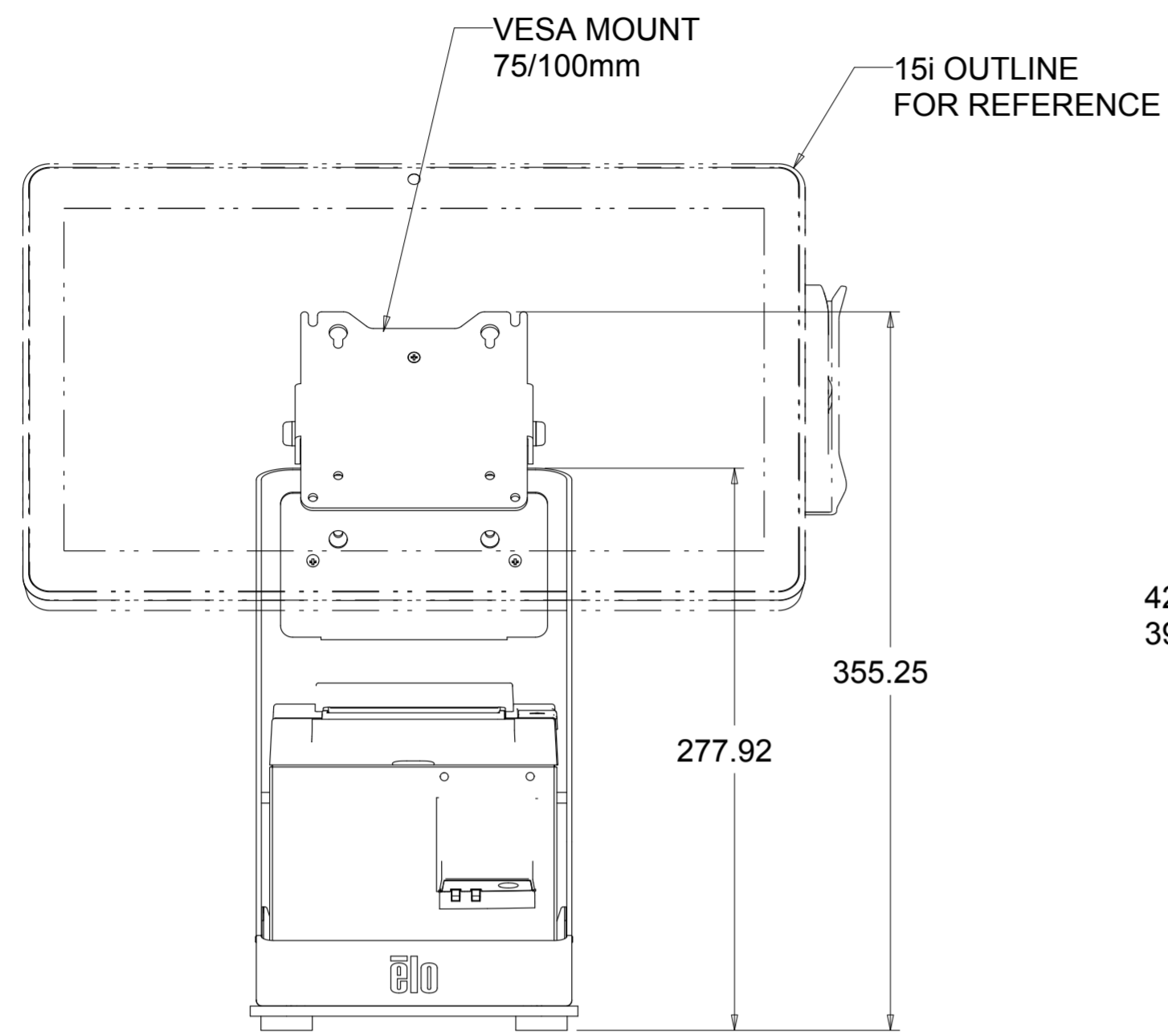


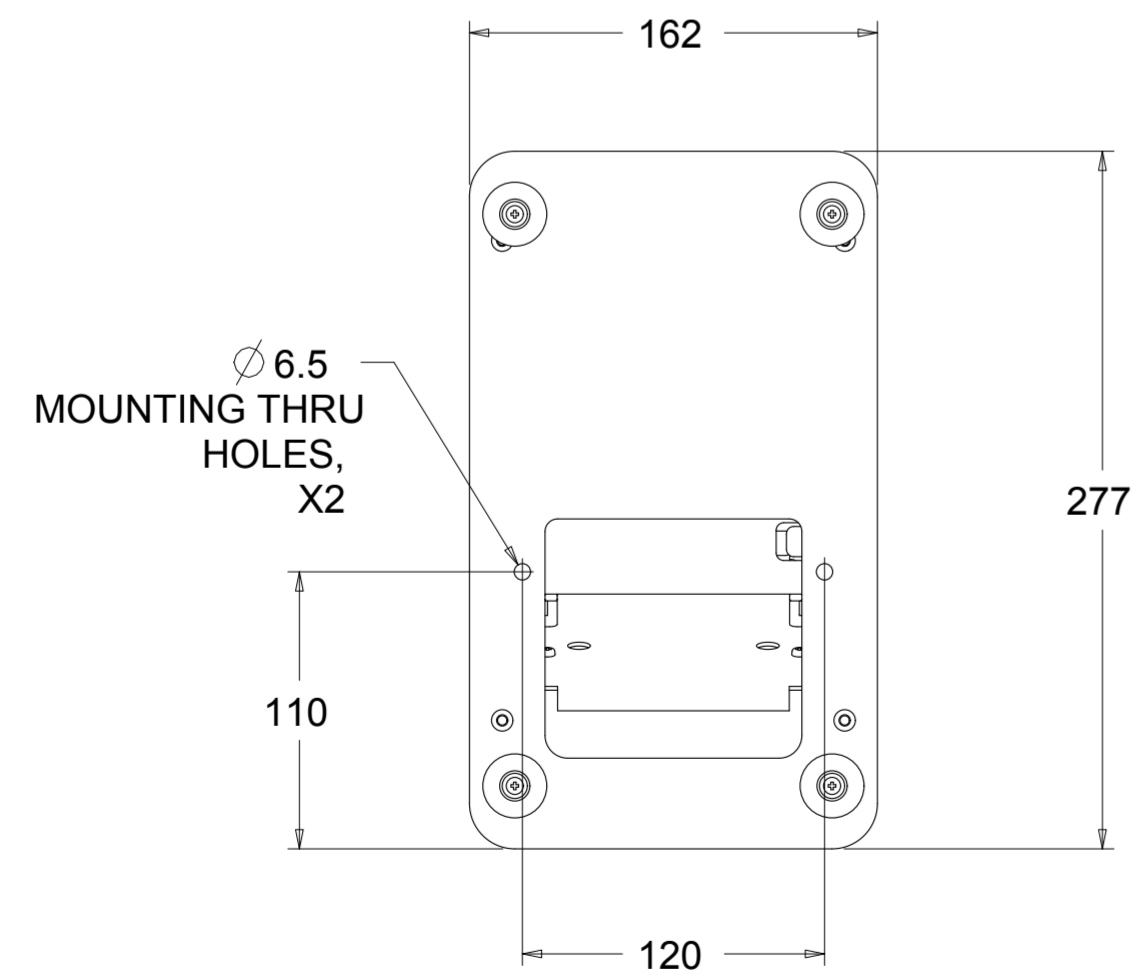
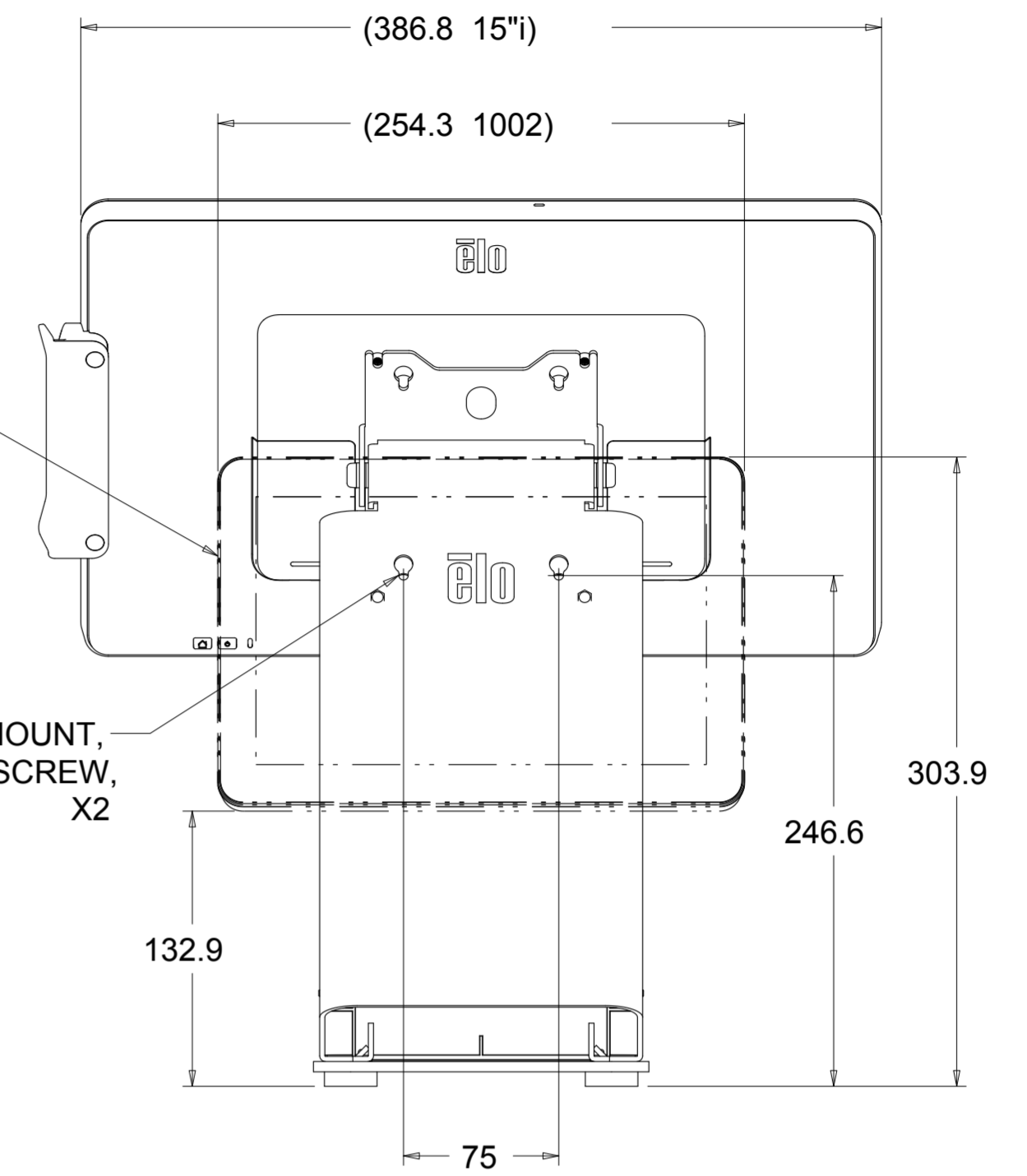
DIMENSIONAL DRAWING, mPOS PRINTER STAND

P/N: E353950 = BLACK  
E353758 = WHITE



OPTIONAL  
REAR FACING DISPLAY,  
ELO 1002, P/N E045337

REAR DISPLAY MOUNT,  
THRU-HOLE FOR 4mm SCREW,  
X2



MAX. DIMENSIONS  
FOR PRINTER:  
DEPTH = 205mm  
WIDTH = 140mm  
HEIGHT = 132mm

