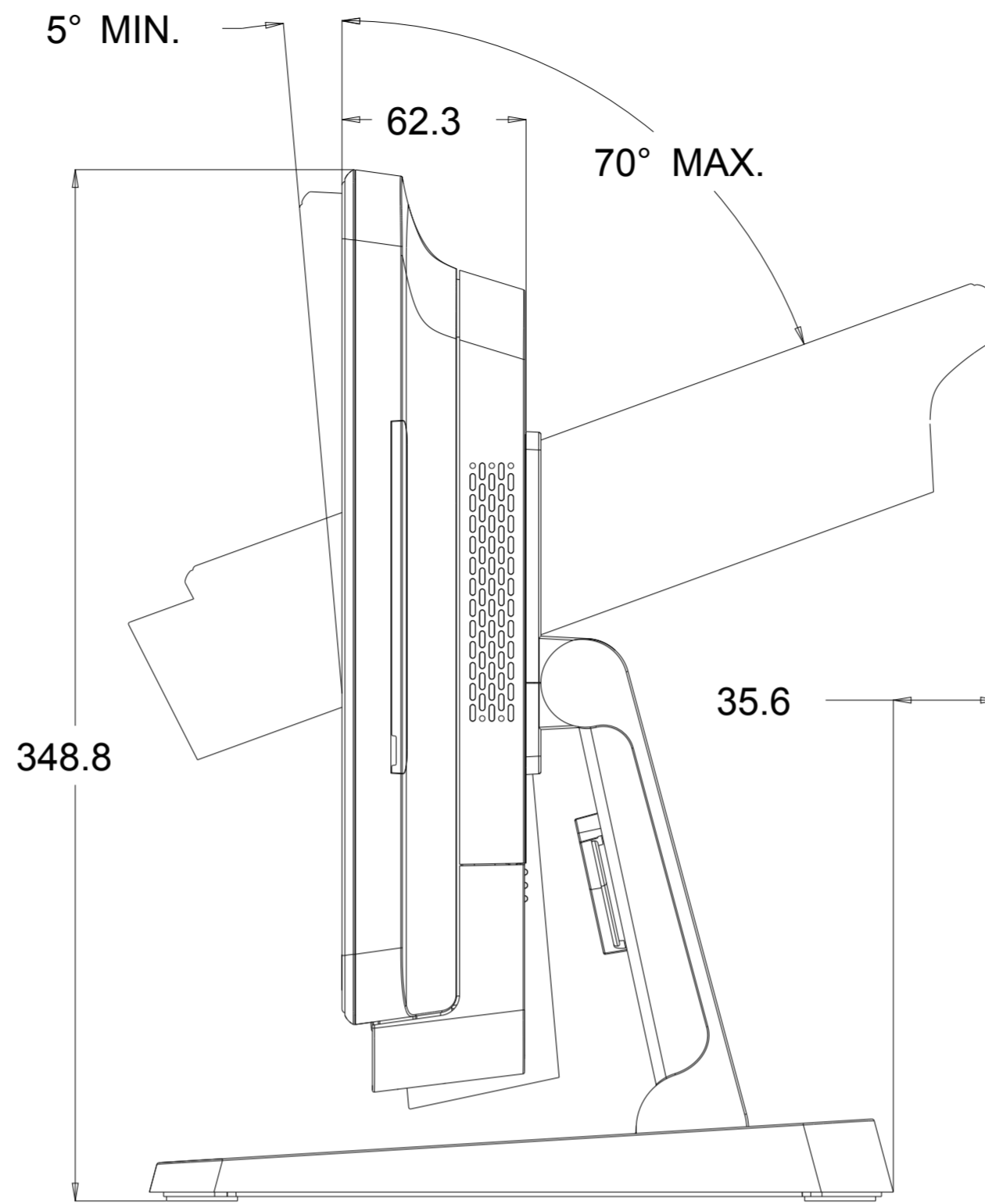
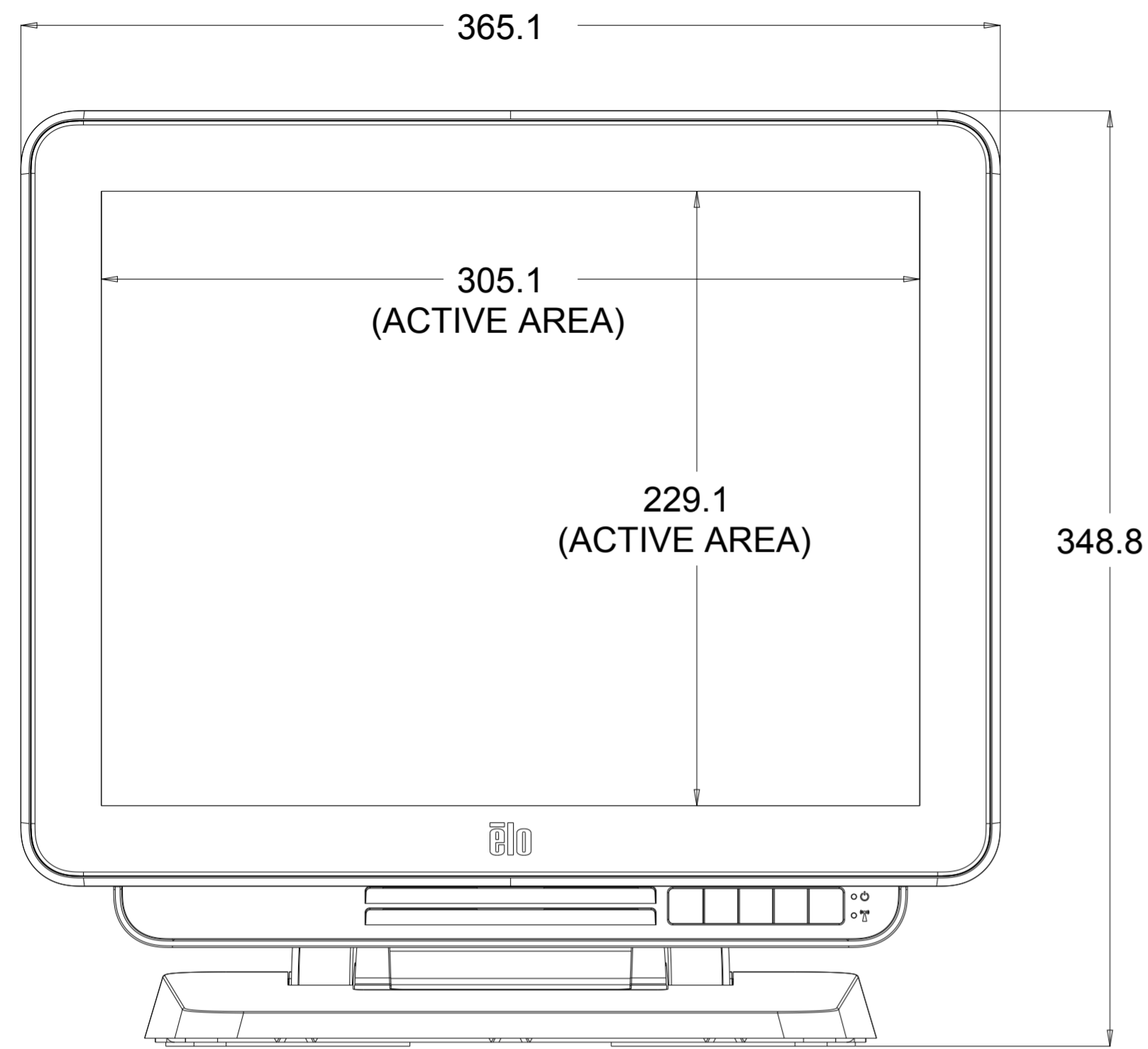
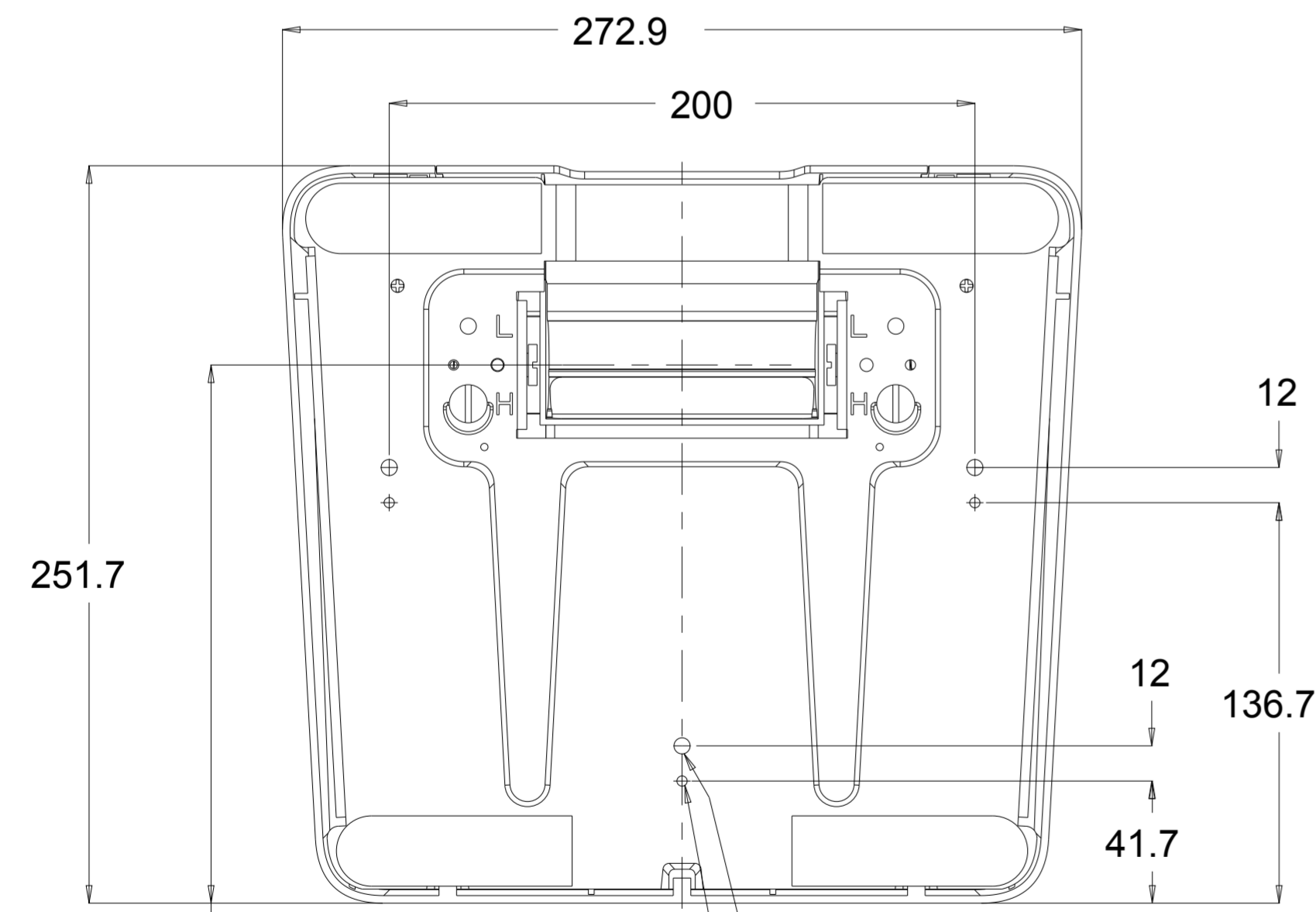
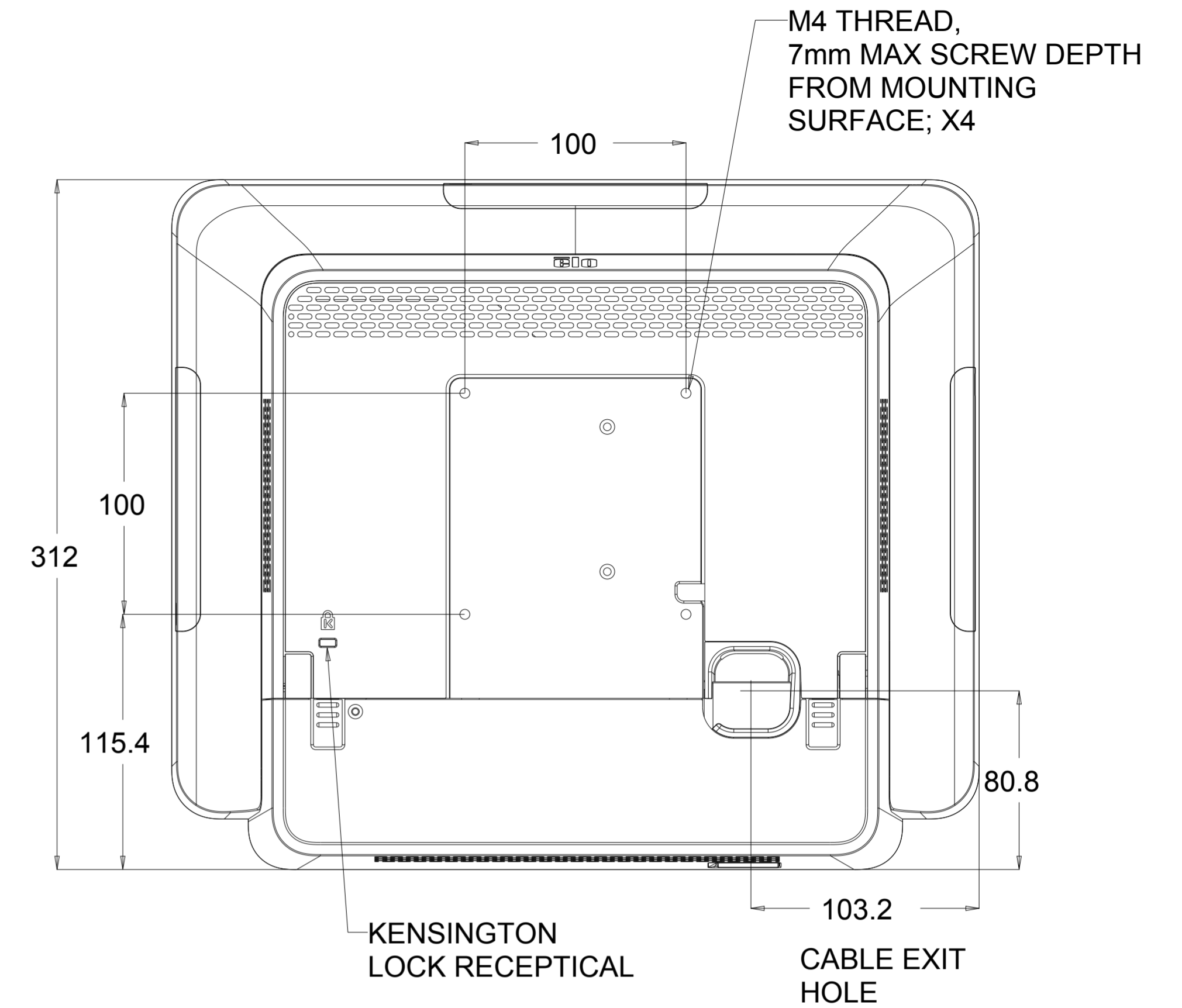


(SEE PG. 2 FOR 17")



DISPLAY ANGLE RANGE IN HIGH POSITION

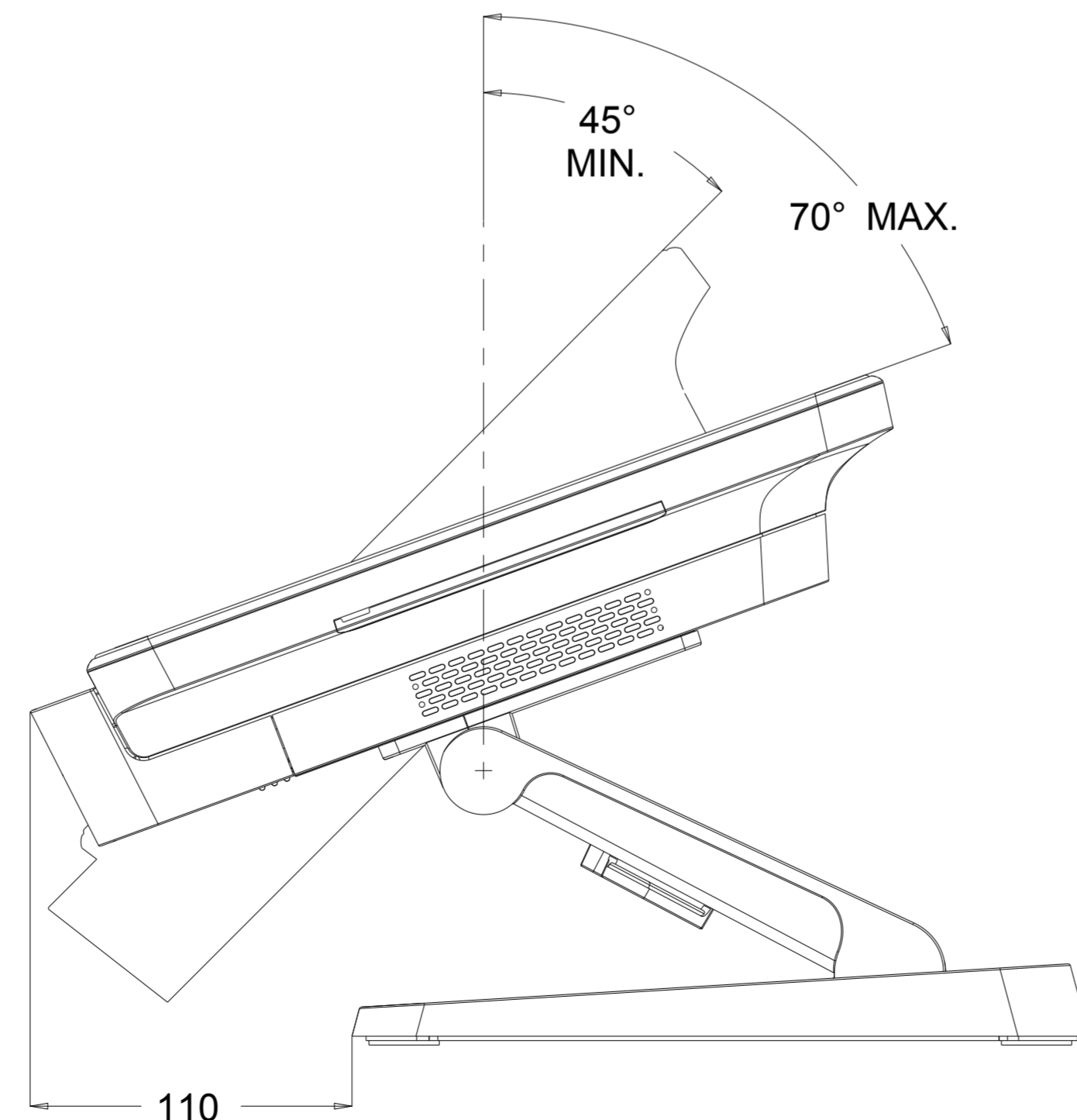


183.7
CABLE HOLE CNTR.

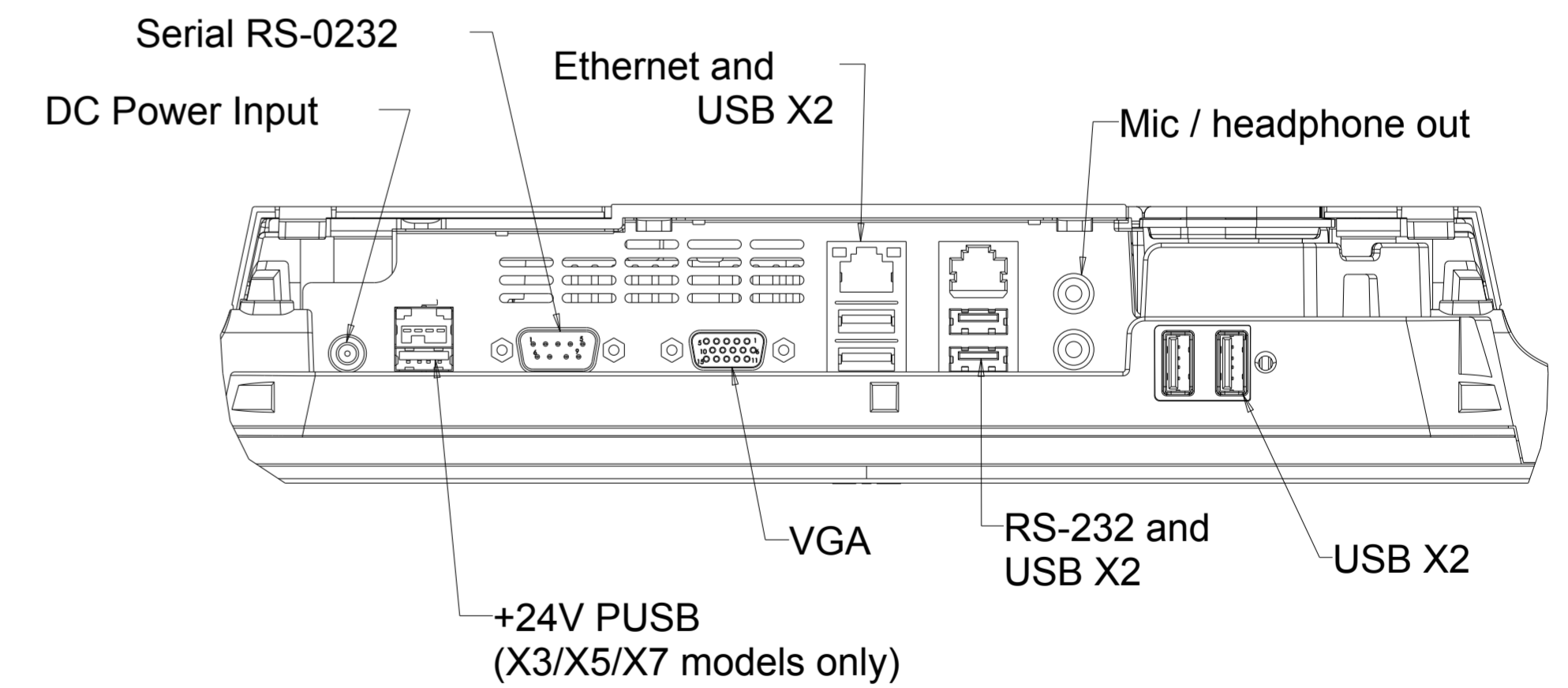
MOUNTING OPTIONS
FOR 15"/17" STAND BASE

Ø 5.5 THRU HOLE UNDER
FRONT COVER FOR
SCREW; X3

M4 THREAD,
MAX. SCREW LENGTH
7mm FROM MOUNTING
SURFACE, X3

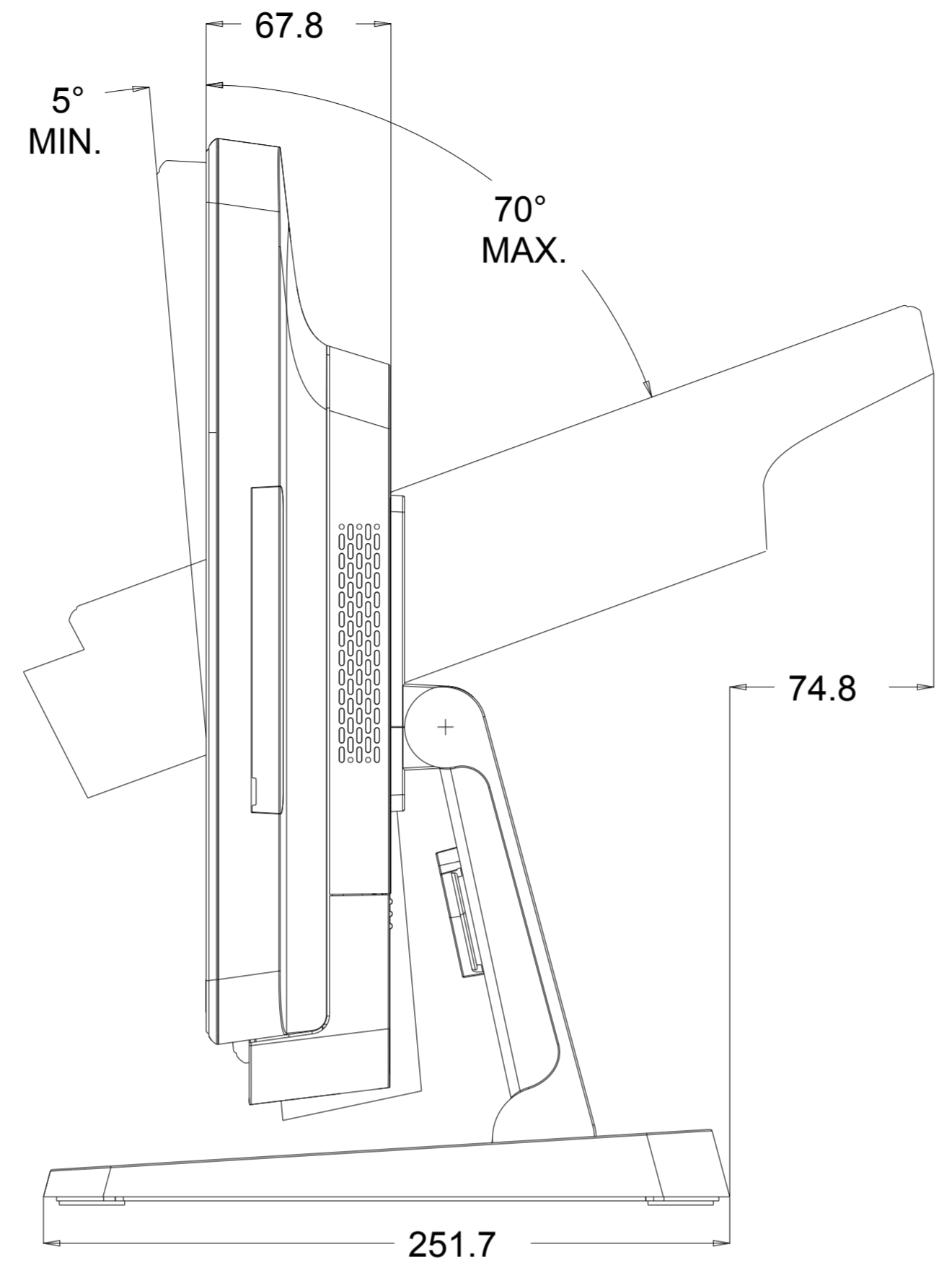
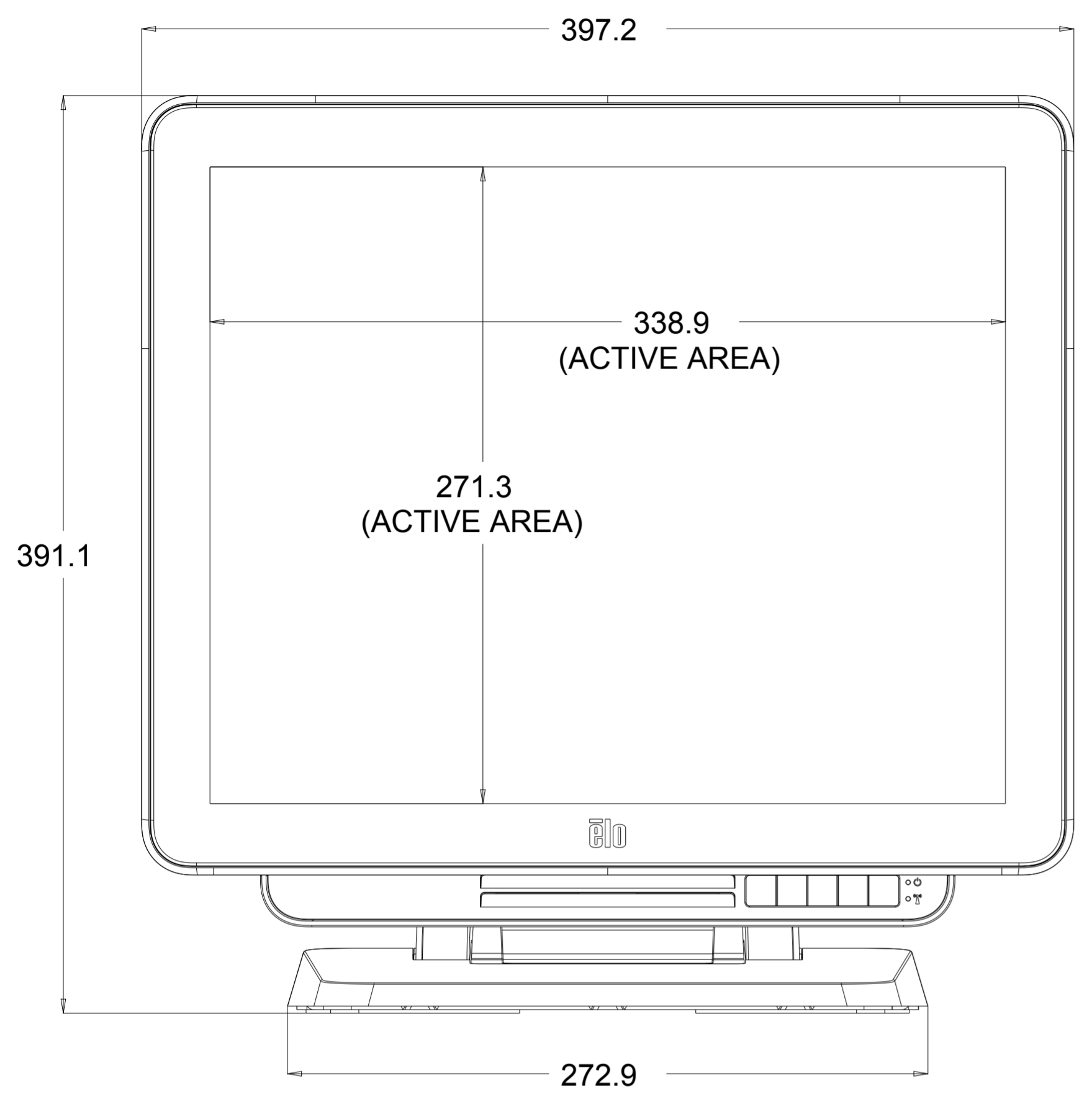


DISPLAY ANGLE RANGE IN LOW POSITION

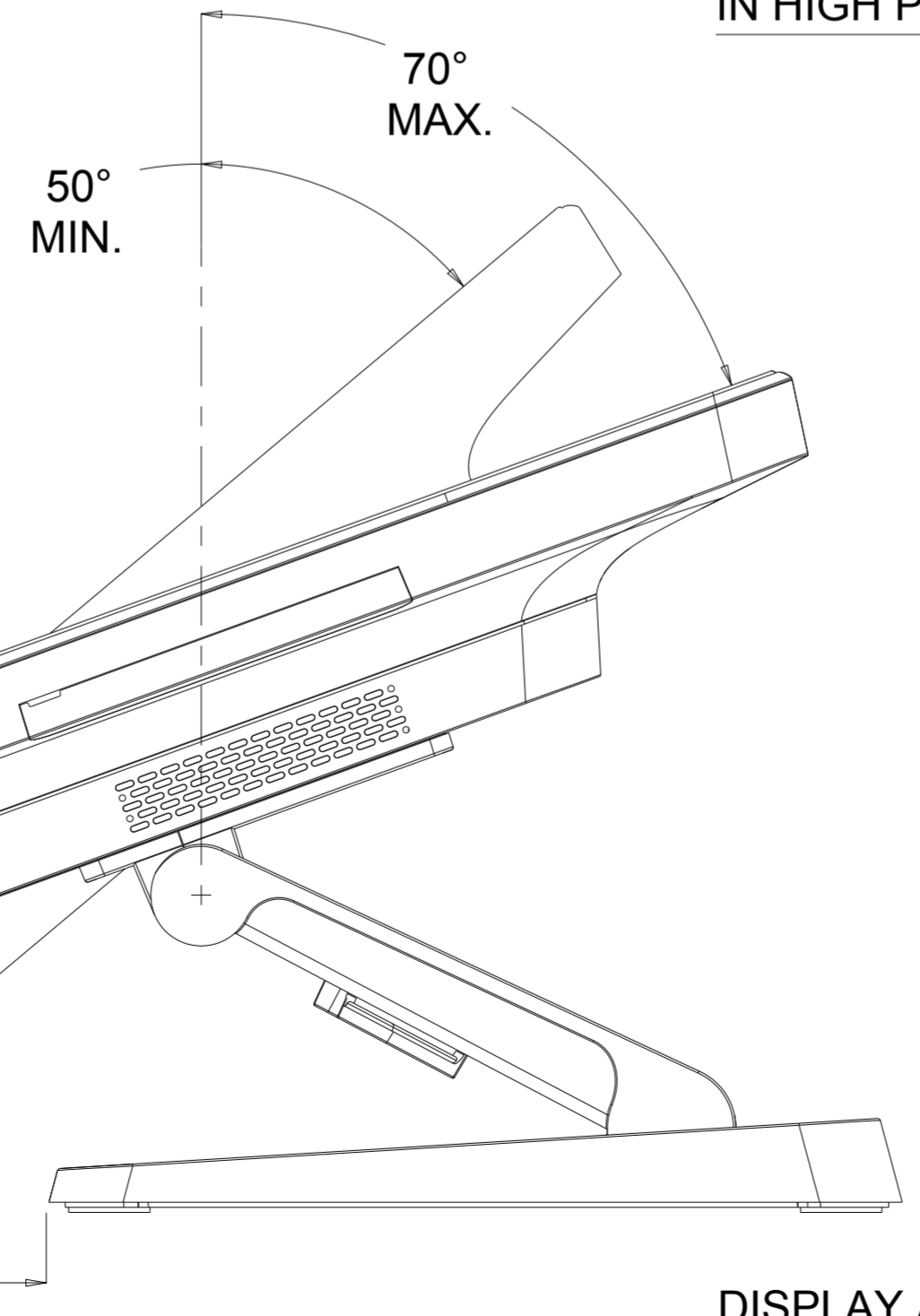


X-SERIES (15" / 17") I/O

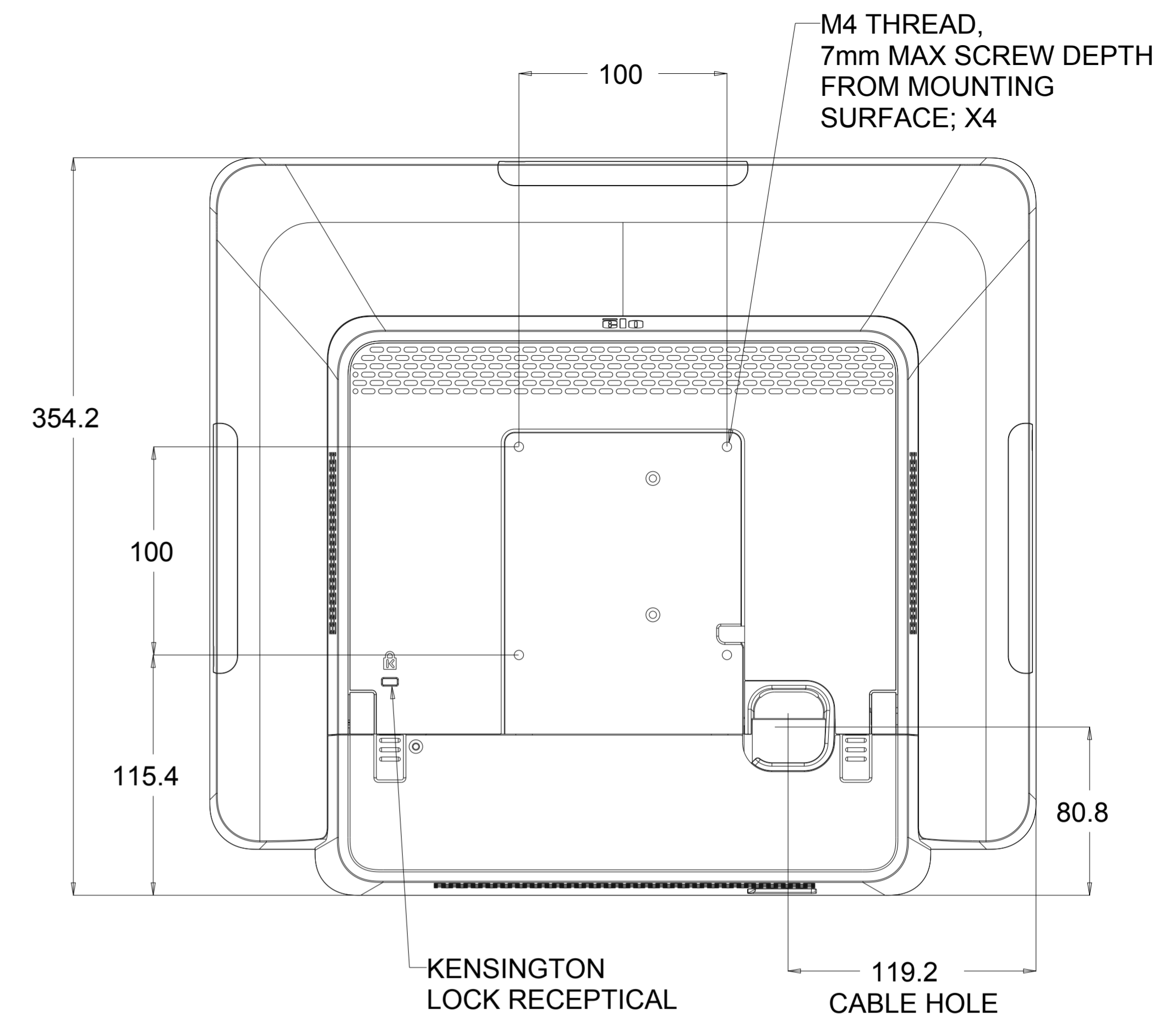
(SEE PG. 1 FOR 15")



DISPLAY ANGLE RANGE
IN HIGH POSITION



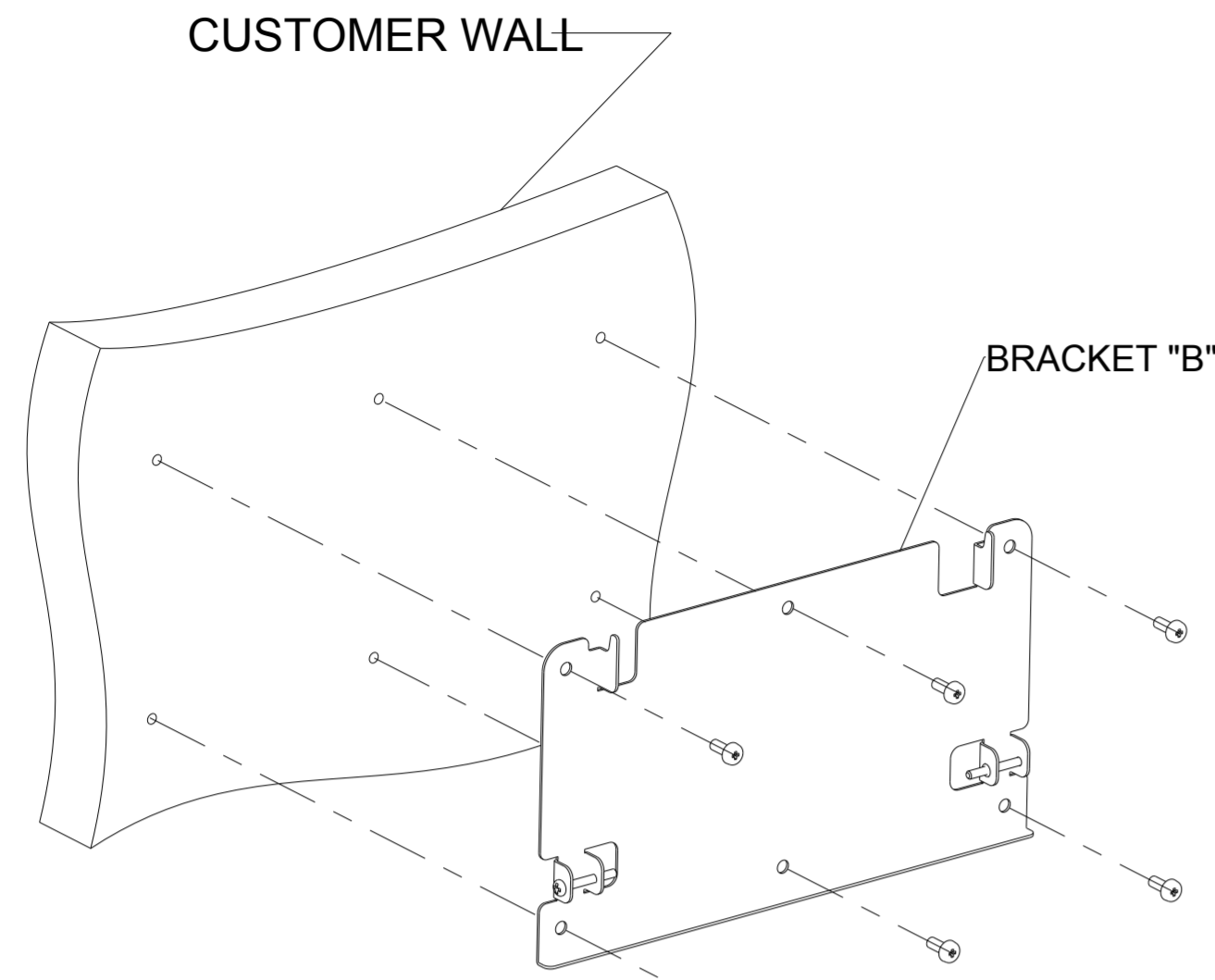
DISPLAY ANGLE RANGE
IN LOW POSITION



KENSINGTON
LOCK RECEPTICAL

M4 THREAD,
7mm MAX SCREW DEPTH
FROM MOUNTING
SURFACE; X4

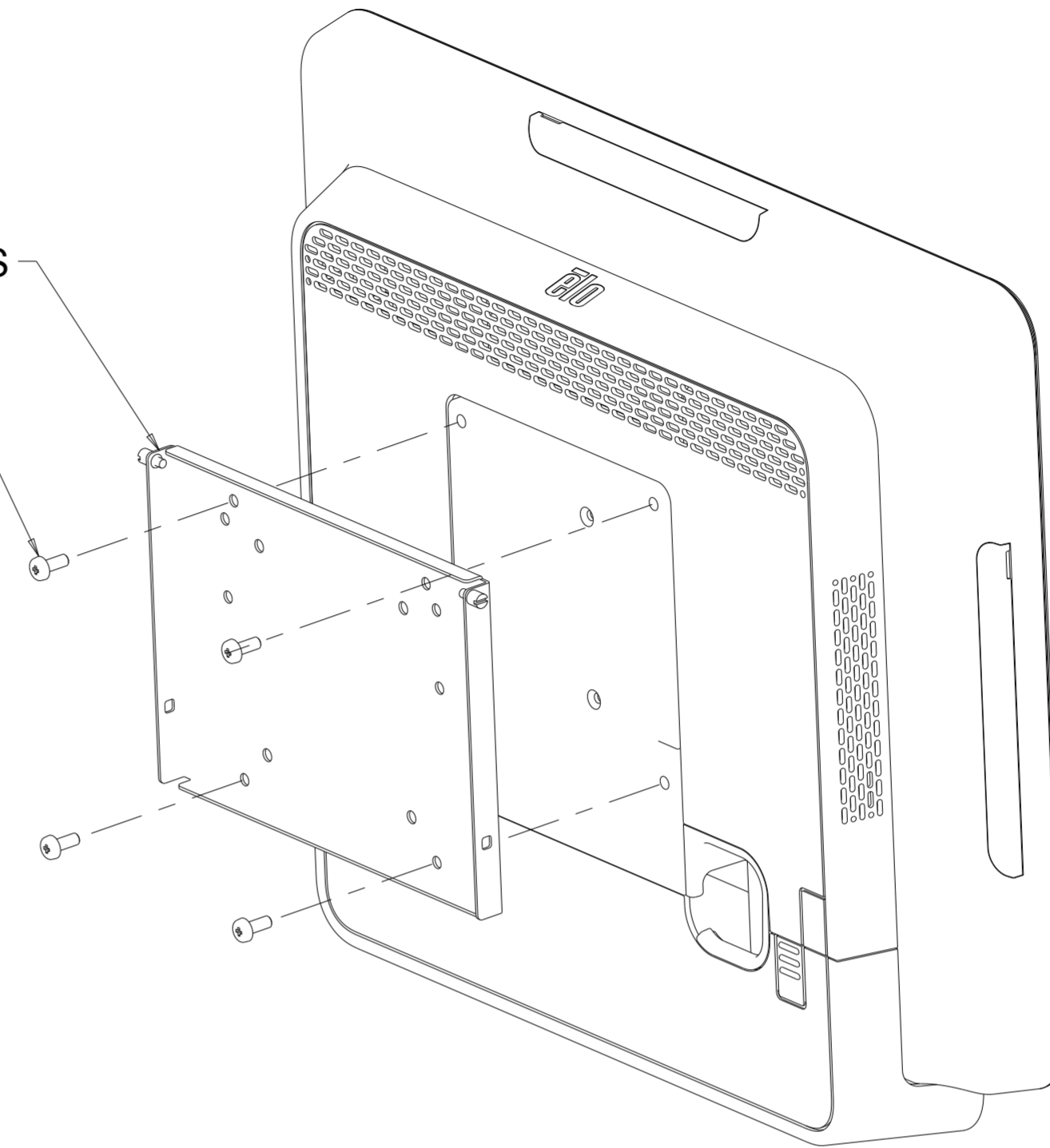
WALL MOUNT WITH OPTIONAL BRACKET ASSEMBLY,
P/N E143088



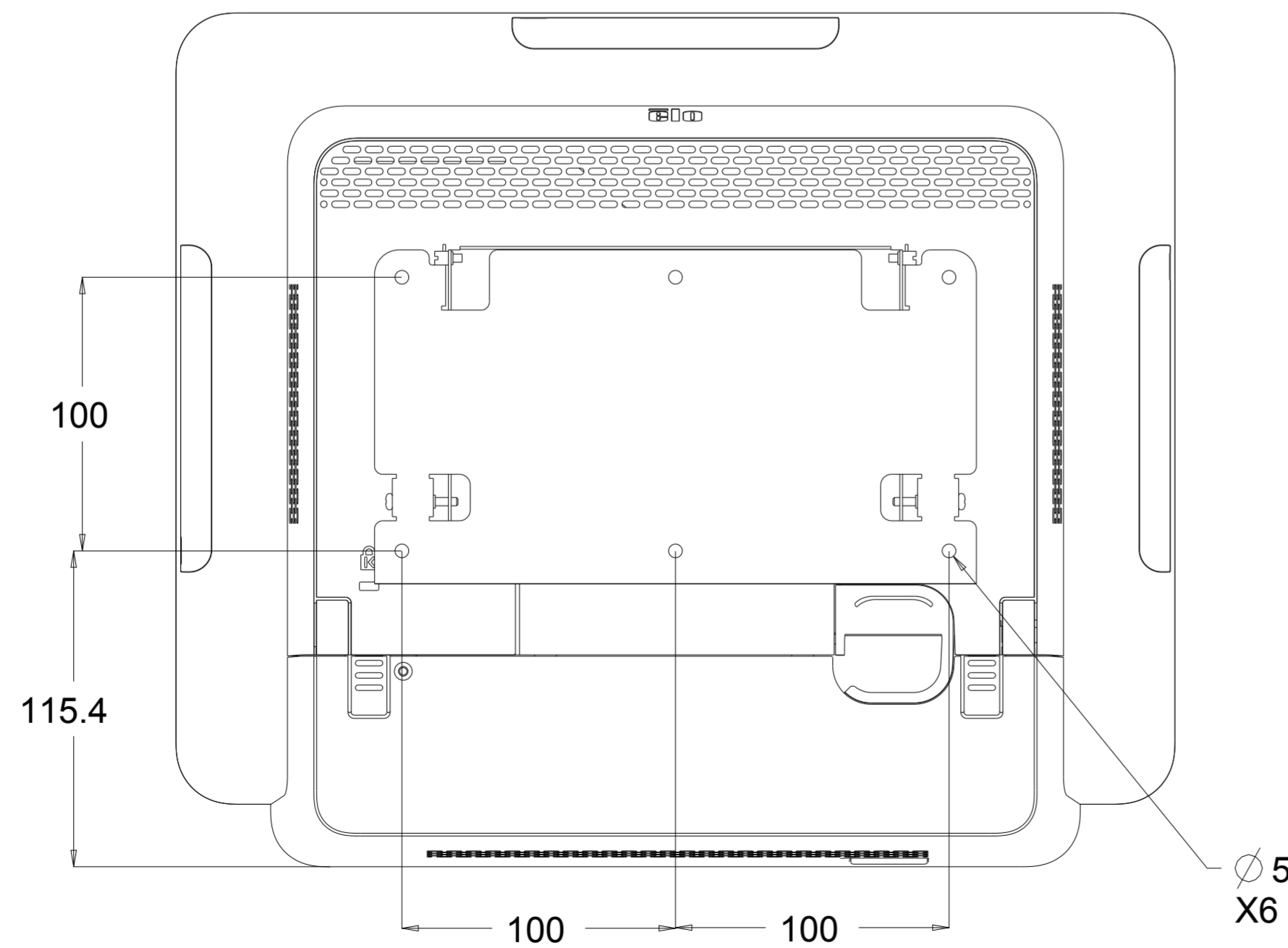
SCREWS NOT INCLUDED.
CHOOSE APPROPRIATE SCREW
TYPE FOR WALL MATERIAL (X6);
MAX. SCREW 5.5mm,
MAX. HEAD /WASHER 18mm,
MAX. HEAD HEIGHT INCLUDING
WASHER 9mm

BRACKET "A" + MOUNTING SCREWS

M4X6L PHILIPS PAN HEAD SCREWS,
(X4) INCLUDED IN WALL MOUNT KIT



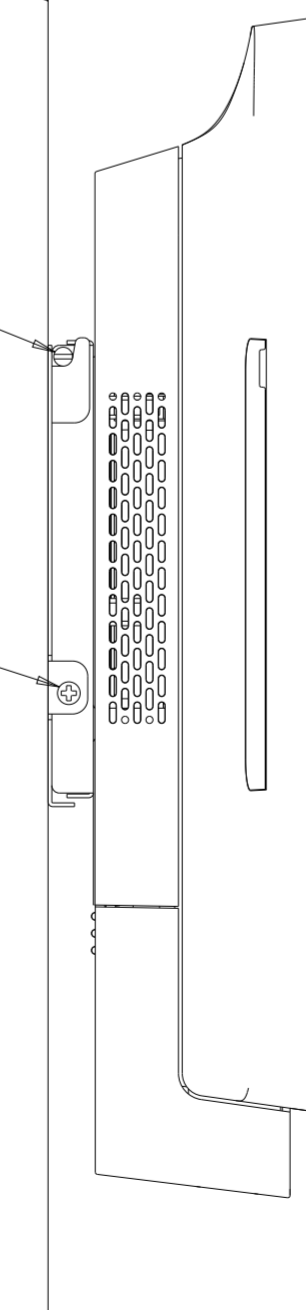
DIMENSIONS FROM BRACKET "B"
TO COMPUTER WHEN MOUNTED TO WALL.



CUSTOMER WALL

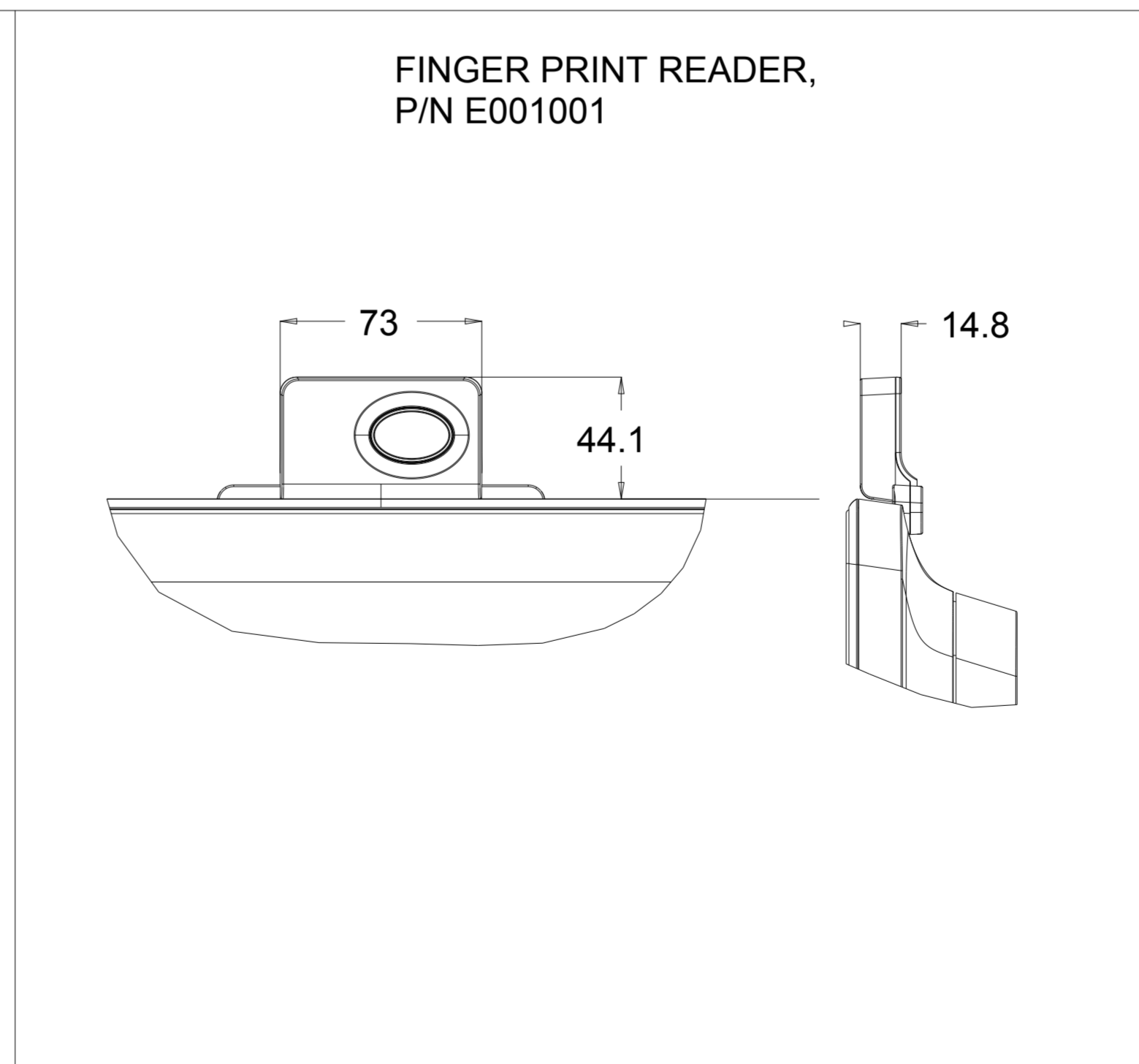
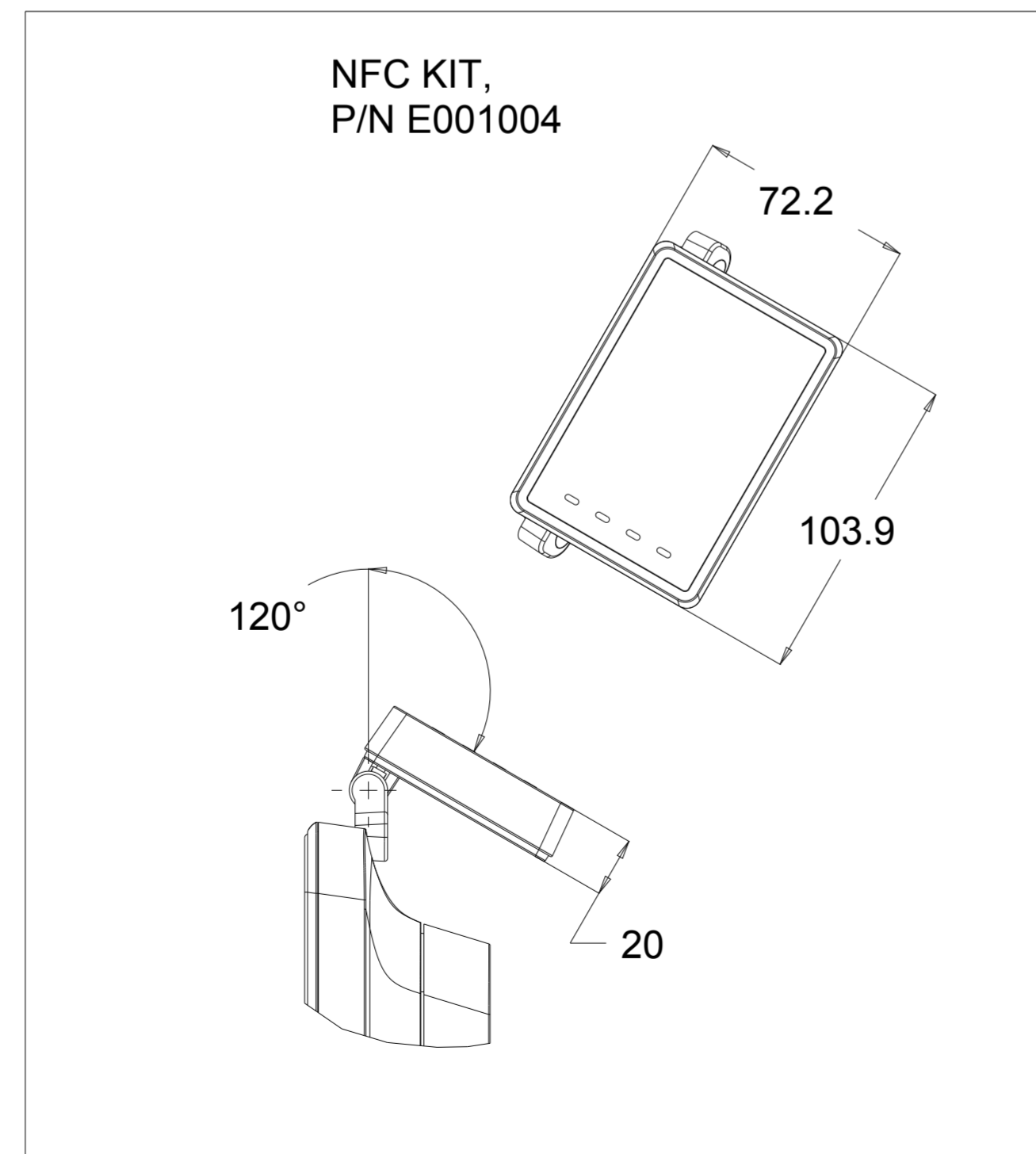
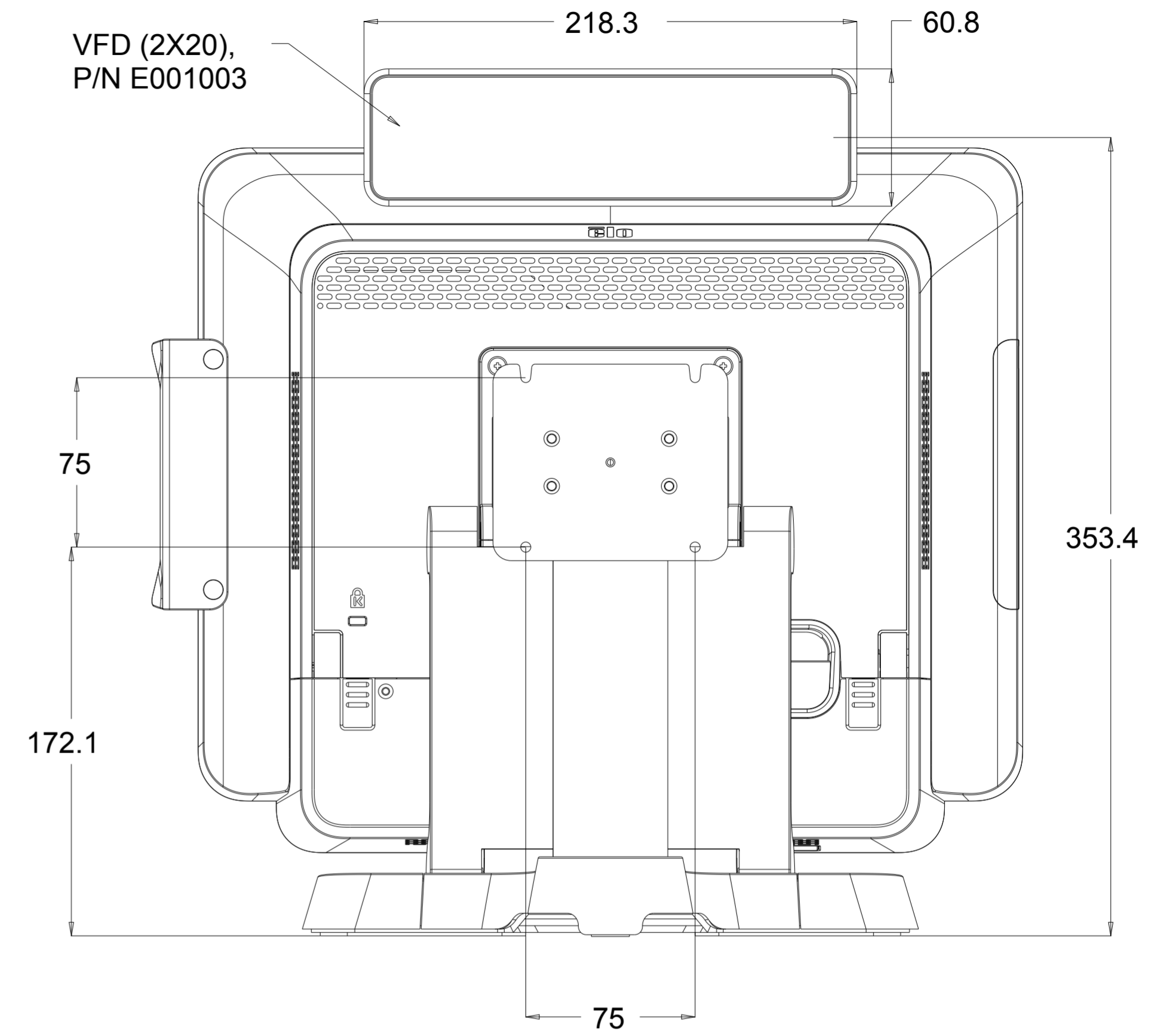
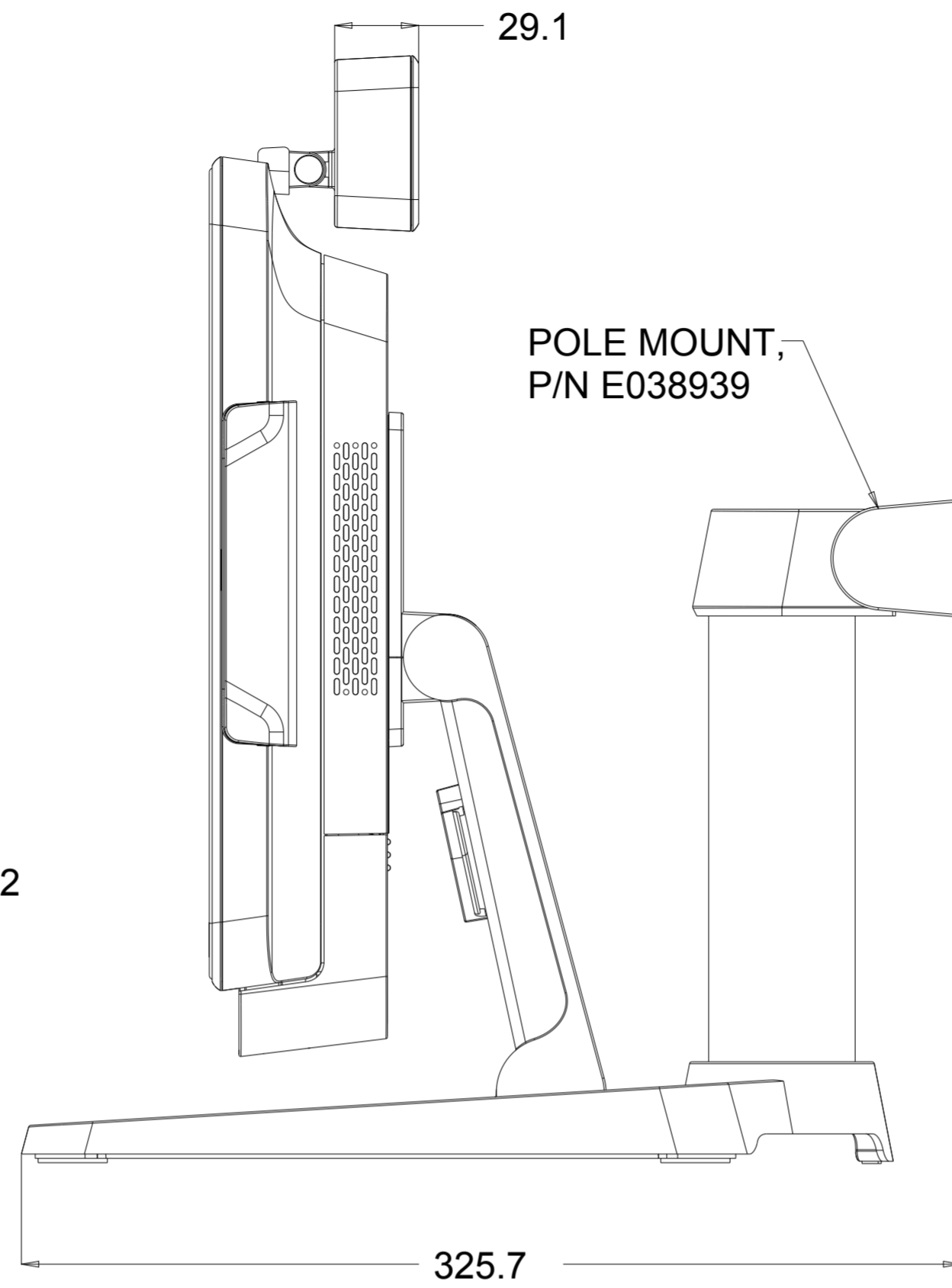
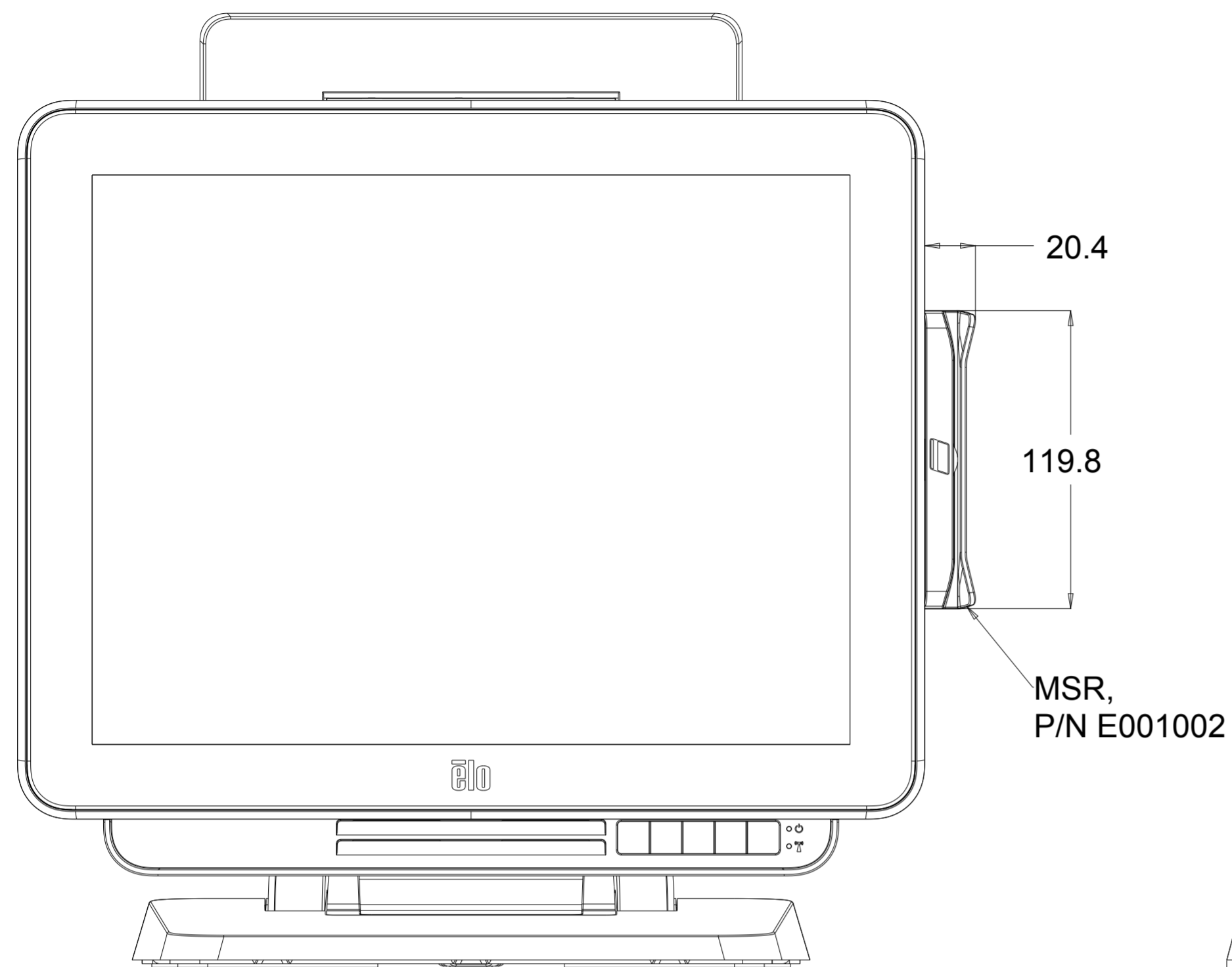
INERT PINS FROM BRACKET "A"
INTO HOOKS FROM BRACKET "B"

SECURE SCREWS (L + R SIDE)



74.3 = 15"
79.8 = 17"

OPTIONAL ACCESSORY KITS



EXPANSION MODULE,
P/N E001006

