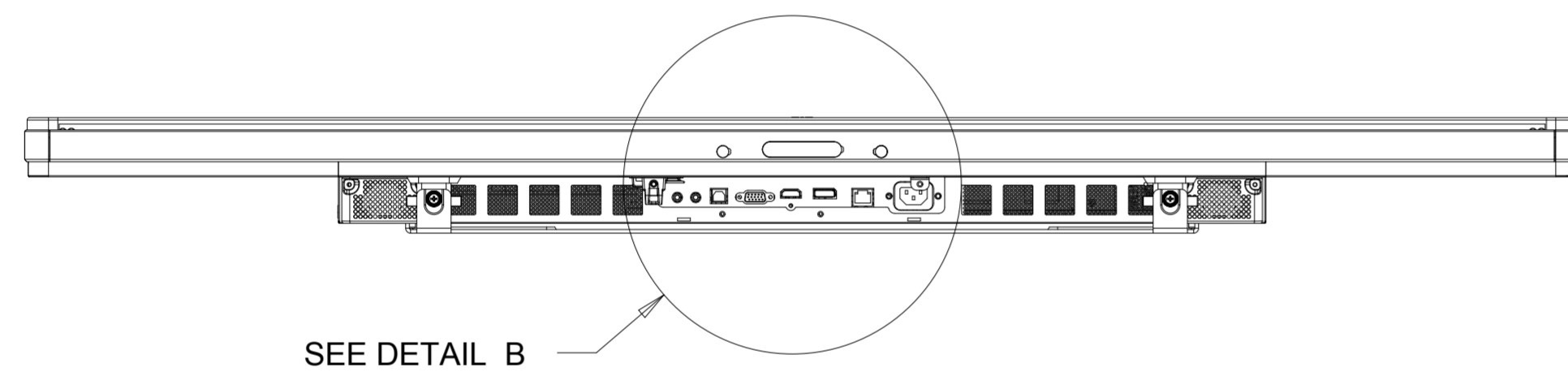
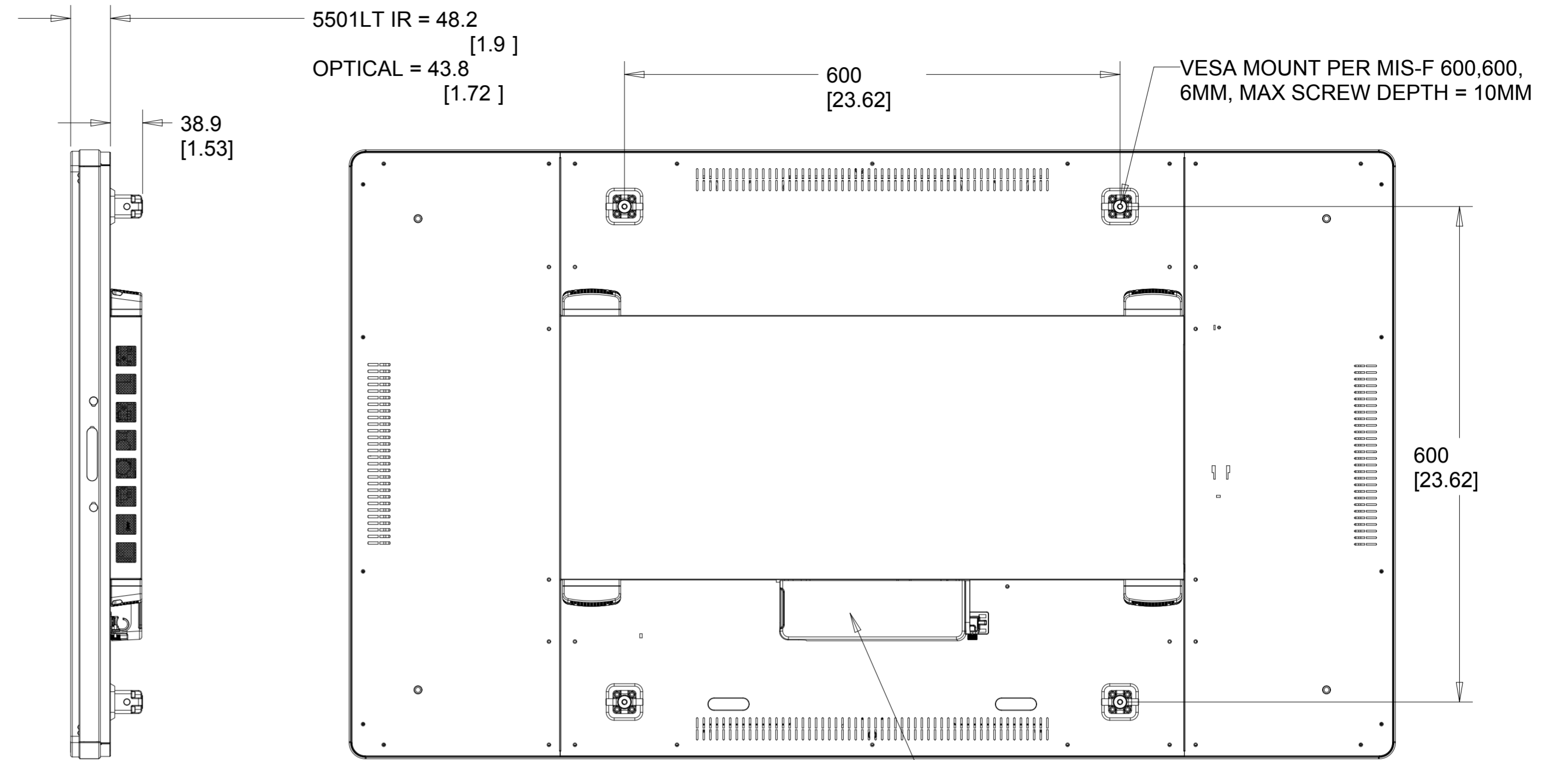
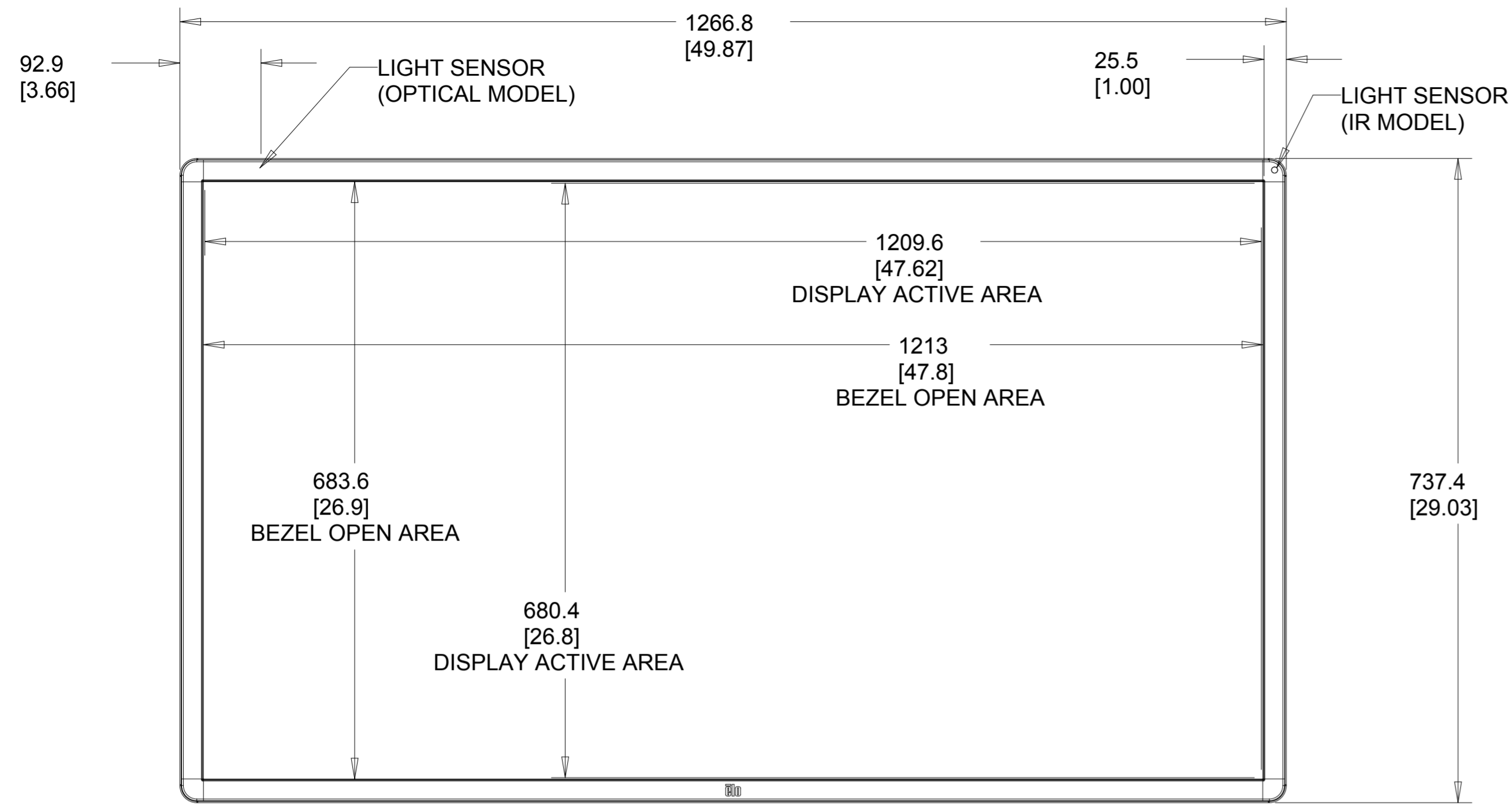
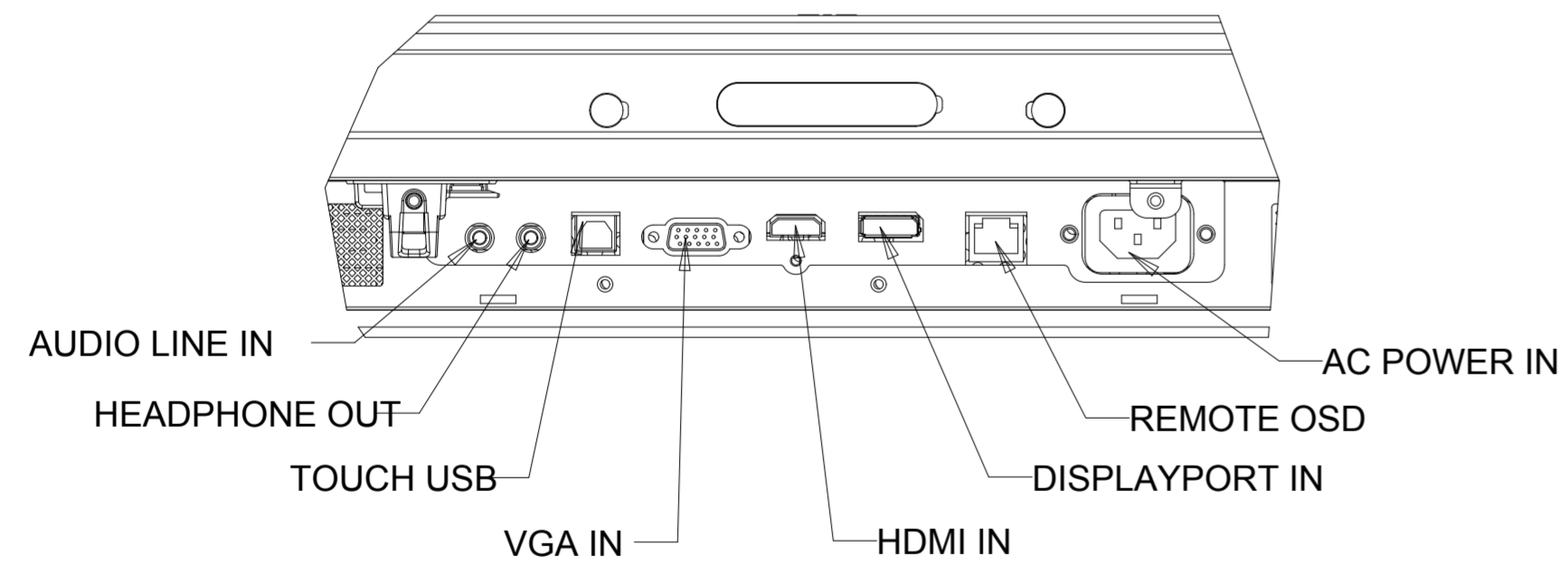


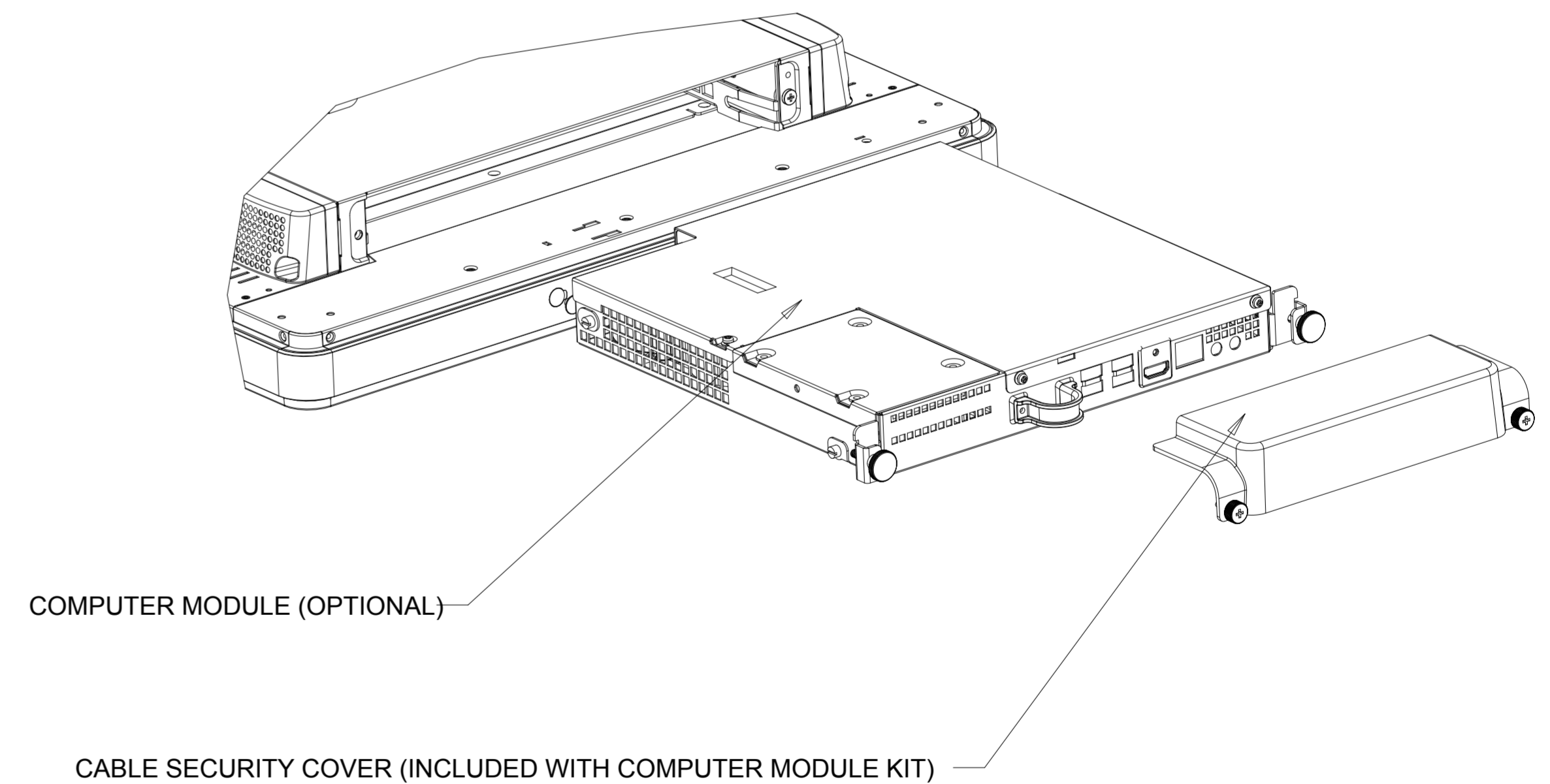
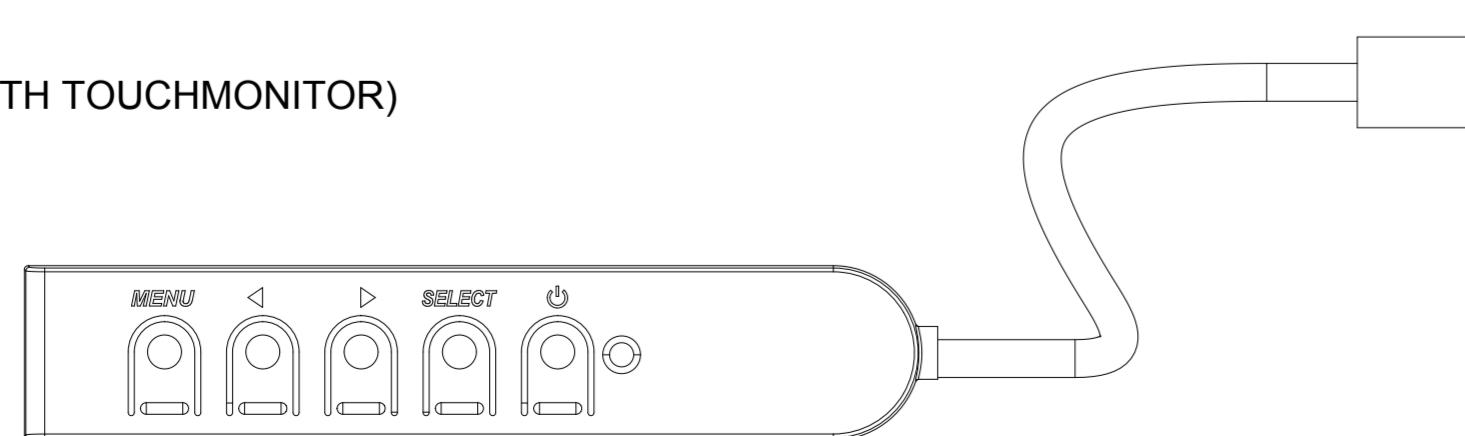
DIMENSIONAL DRAWING: 5501L/LT



DETAIL B
SCALE 0.500



REMOTE OSD (1 INCLUDED WITH TOUCHMONITOR)
P/N E483757

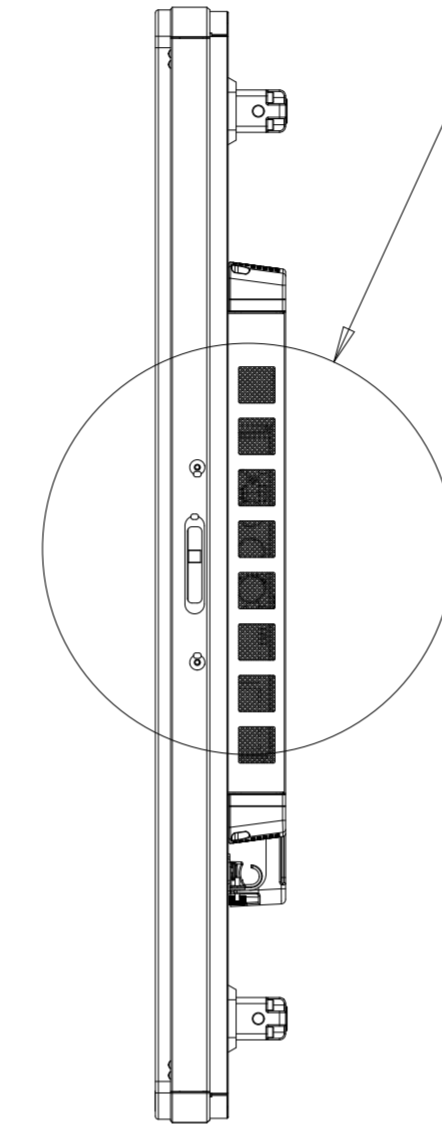


DIMENSIONS ARE IN MILLIMETERS [INCHES]

elo

MS601483
DATE: 10/01/2015
REV: C

MOUNTING INTERFACE FOR PERIPHERALS ONE PER SIDE (FOUR TOTAL)



SEE DETAIL A

20.5
[.8]

129
[5.08]

M3 THREADS, X2

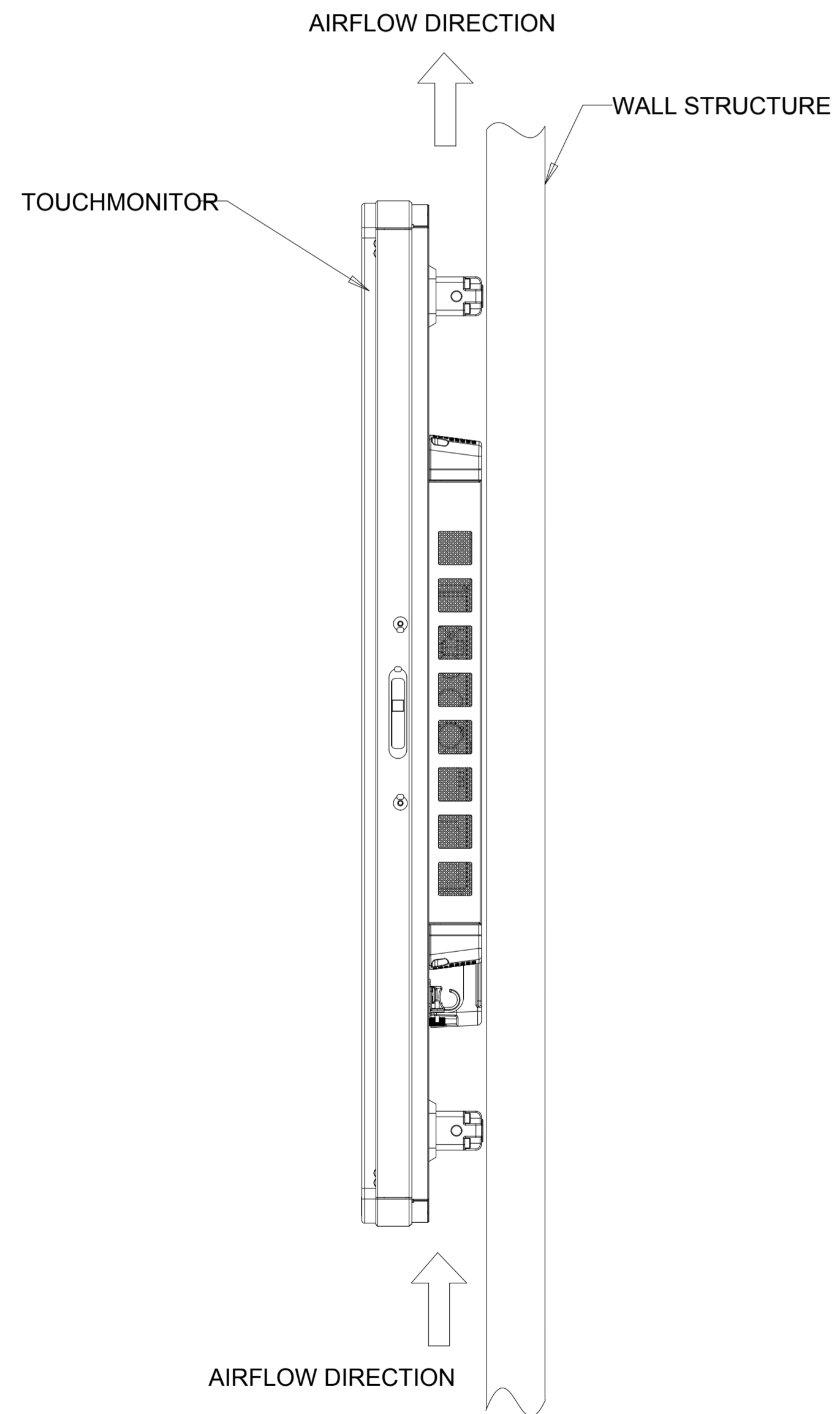
PEEL OFF COVERS TO ACCESS
PERIPHERAL MOUNTING SCREW
HOLES AND POWER CABLE.

DETAIL A
SCALE 1.000

THERMAL RECOMMENDATIONS PORTRAIT AND LANDSCAPE ORIENTATION

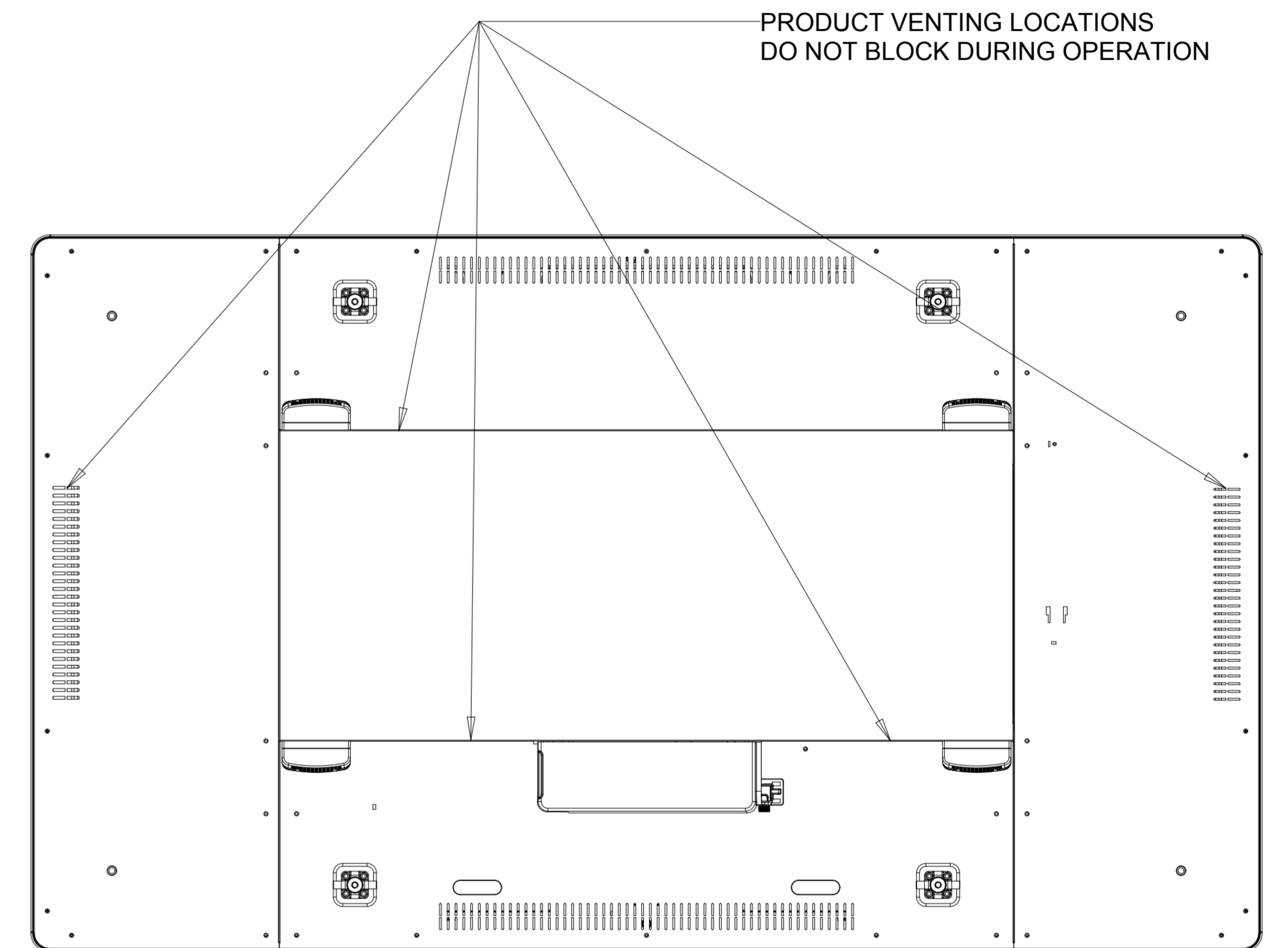
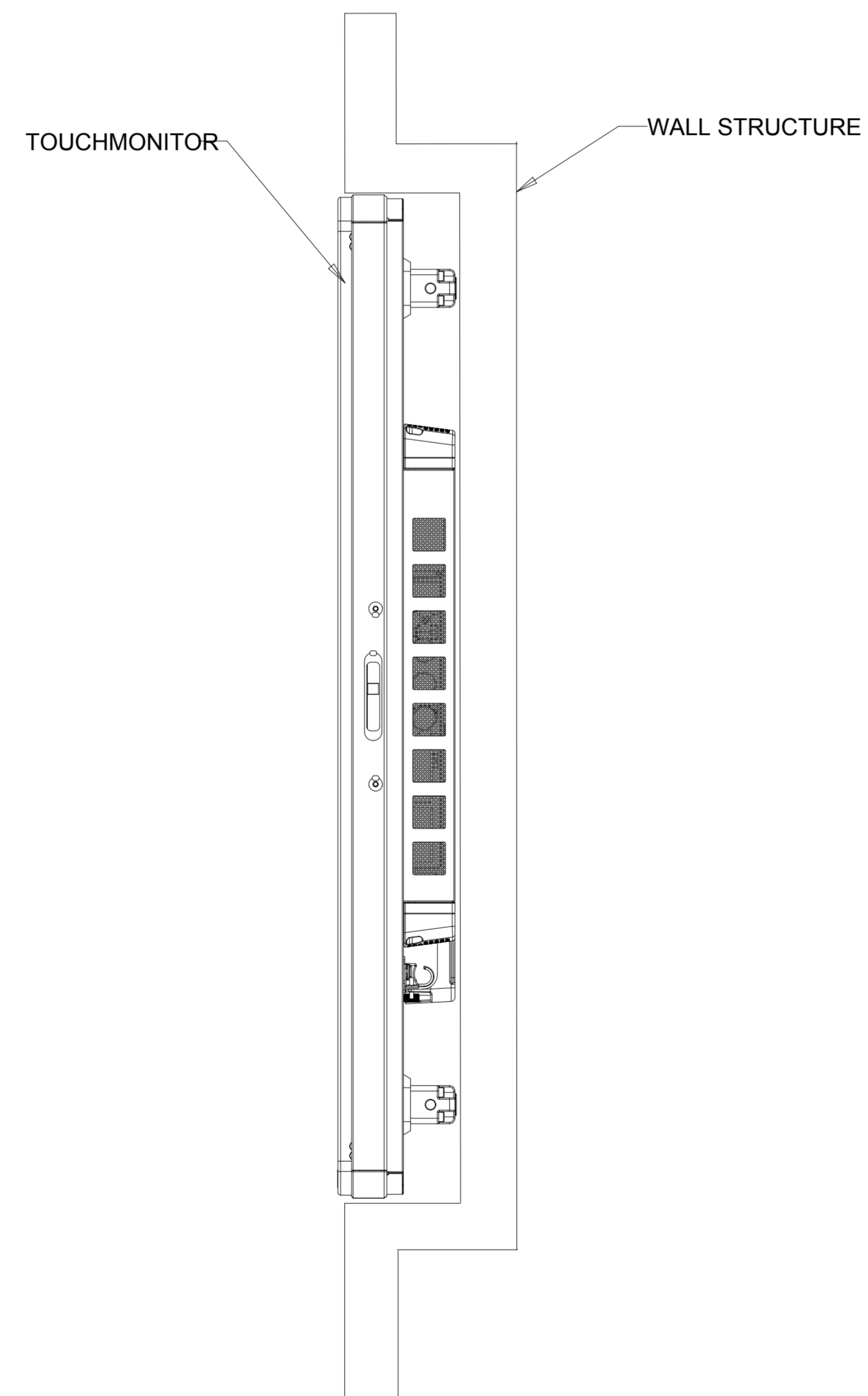
WALL MOUNTING

MAINTAIN AMBIENT ROOM TEMPERATURE
BELOW 40C

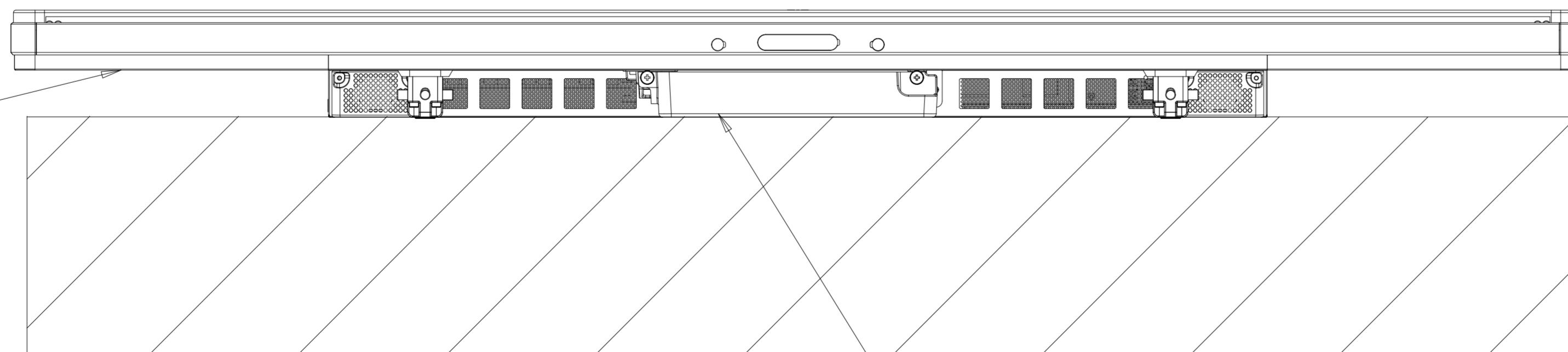


FLUSH MOUNTING

AIR BEHIND MONITOR MUST NEVER EXCEED
40C DURING OPERATION. INSTALL VENTING
AND/OR FANS IN WALL STRUCTURE TO CIRCULATE
AIR AND MAINTAIN SAFE OPERATING TEMPERATURE.



THERMAL RECOMMENDATIONS TABLE-TOP ORIENTATION

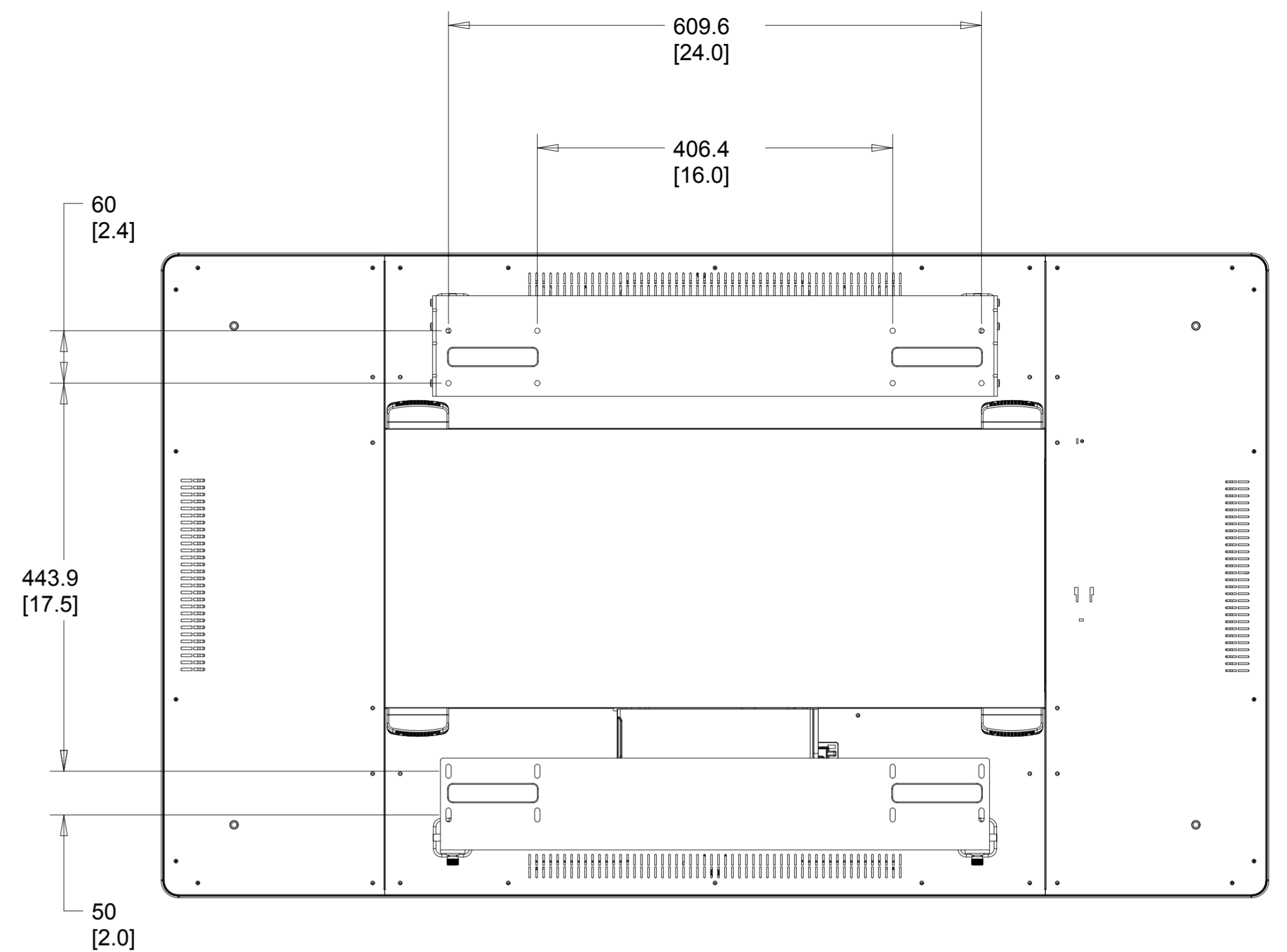
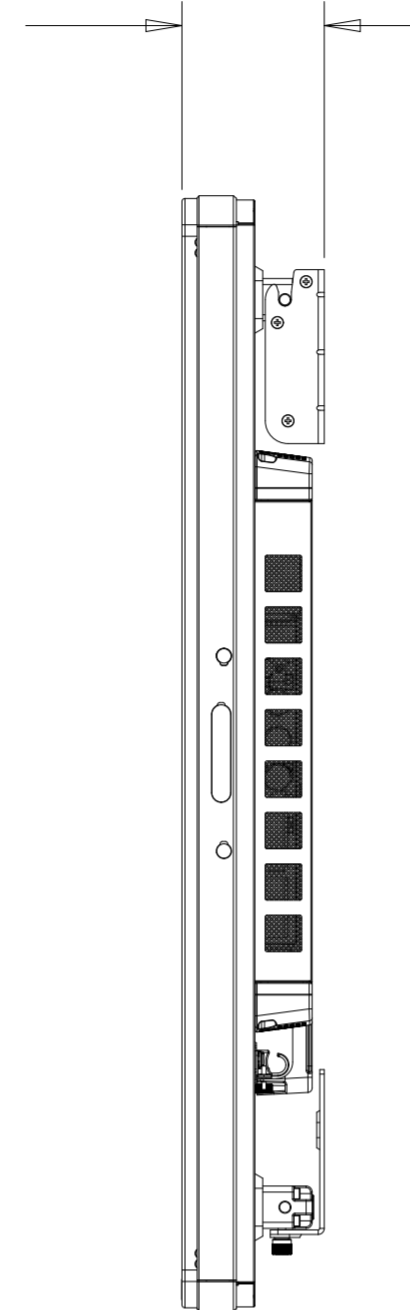


PRODUCT VENTING ALL AROUND MONITOR
MUST BE KEPT OPEN DURING OPERATION
TO MAINTAIN SAFE OPERATING TEMPERATURE

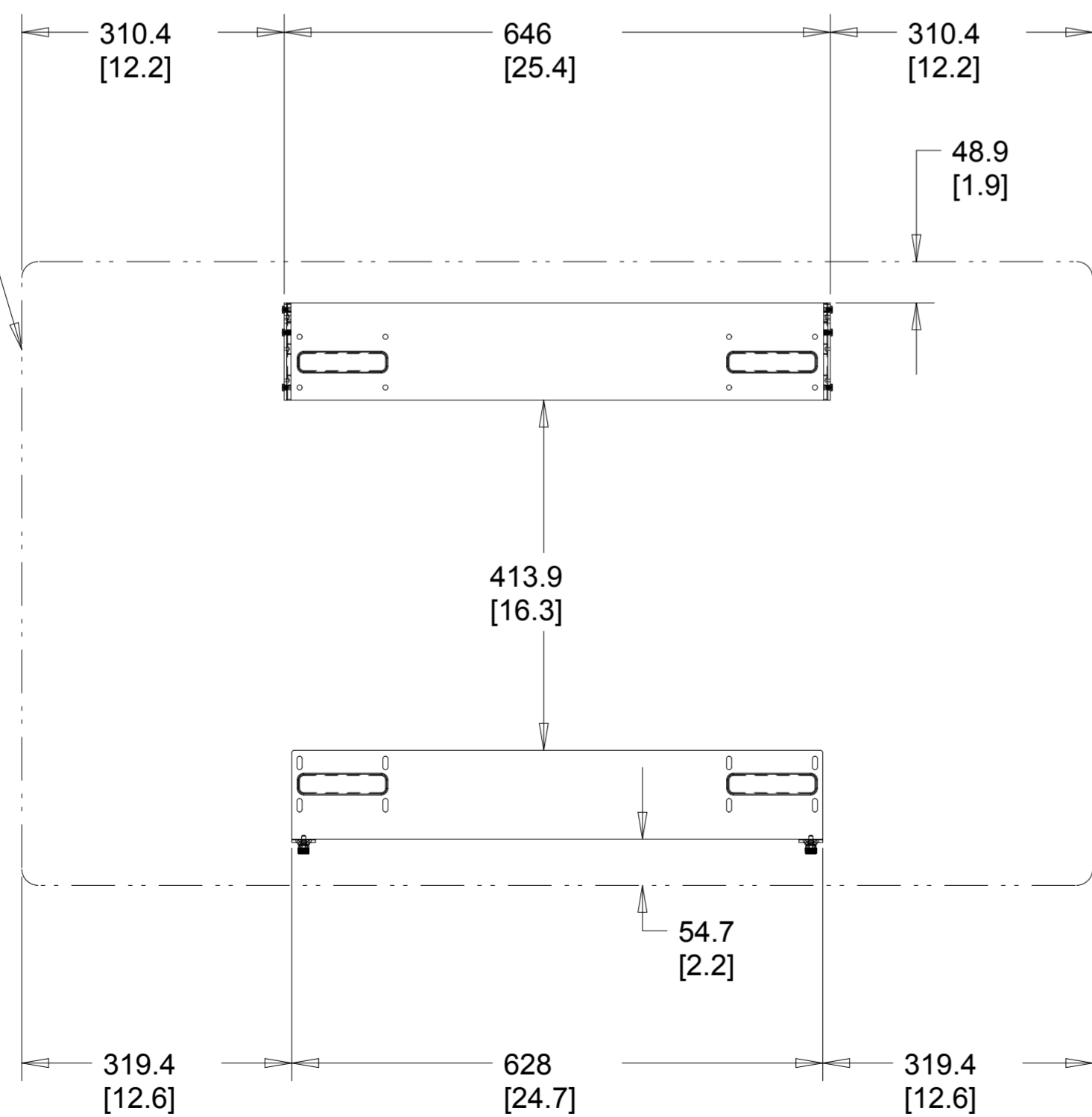
WHEN MOUNTED IN TABLE-TOP ORIENTATION, DO NOT ALLOW
AIR TEMPERATURE BELOW MONITOR TO EXCEED OPERATING TEMPERATURE SPECIFICATIONS.
RECOMMENDATION: INSTALL AIR CIRCULATION DEVICES ABLE TO MONITOR AND CONTROL
AIRSPACE TEMPERATURE UNDER THE TOUCHMONITOR SO IT WILL COMPLY WITH
OPERATING TEMPERATURE SPECIFICATIONS

OPTIONAL WALLMOUNT KIT
P/N E248743

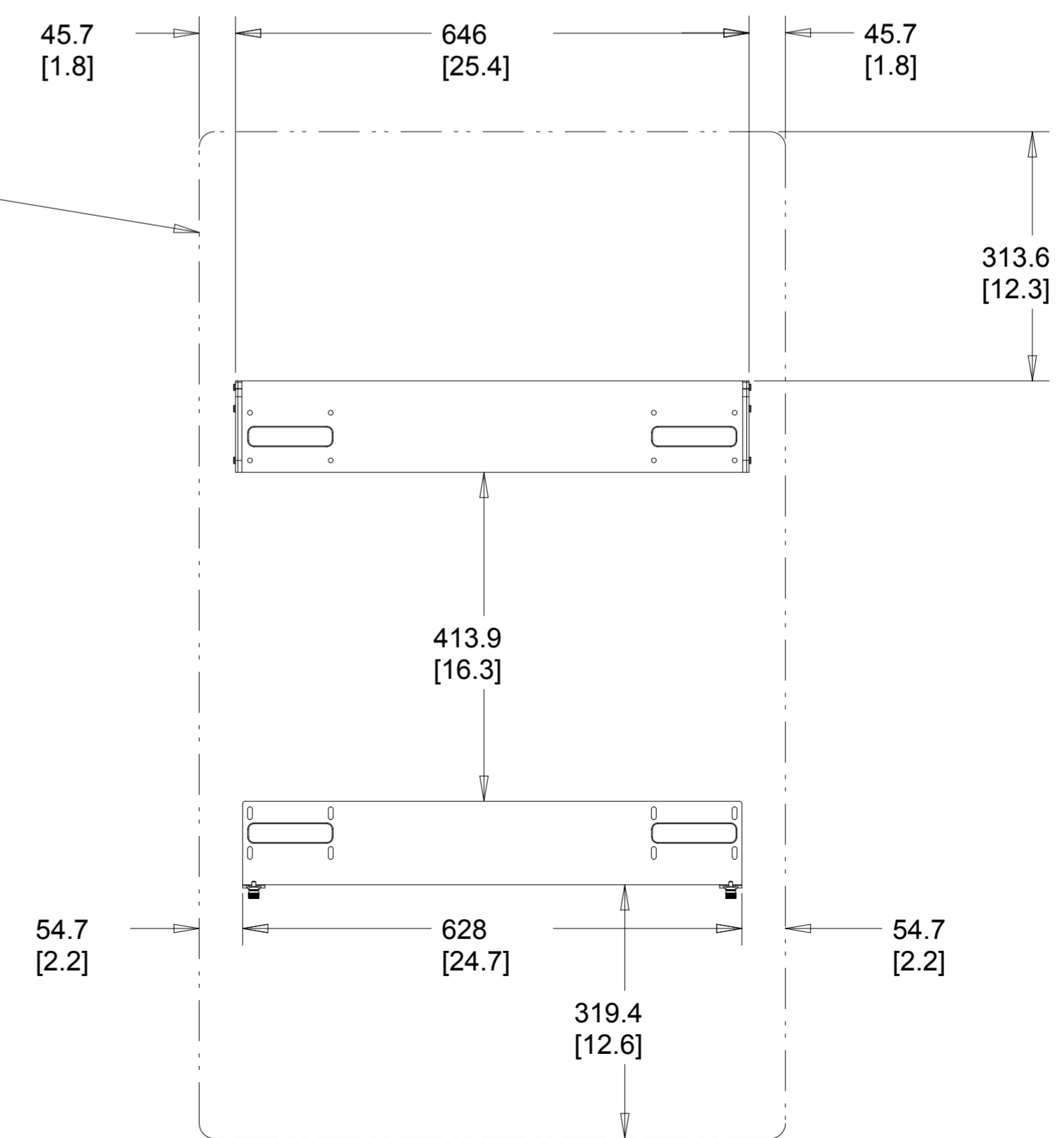
DISTANCE OFF OF WALL AFTER MOUNTING
IR = 94.1 [3.7]
OPTICAL = 89.7 [3.5]



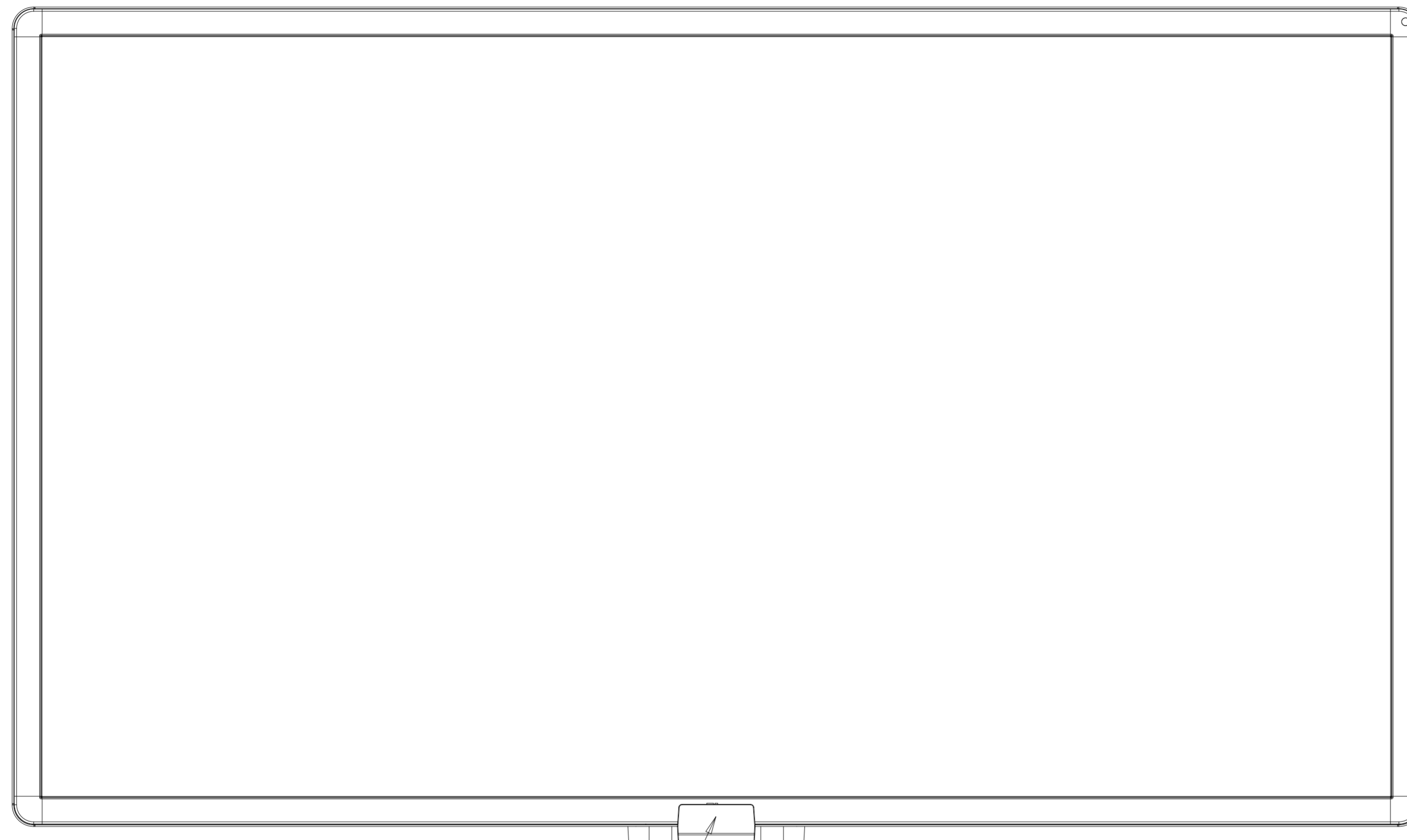
MONITOR OUTLINE
LANDSCAPE ORIENTATION



MONITOR OUTLINE
PORTRAIT ORIENTATION



OPTIONAL RFID KIT P/N E031451



ANTENNA LOCATION

633.4
[24.94]
RECOMMENDED PLACEMENT ON BOTTOM SIDE



7.28
[.29]
DISTANCE ABOVE BEZEL