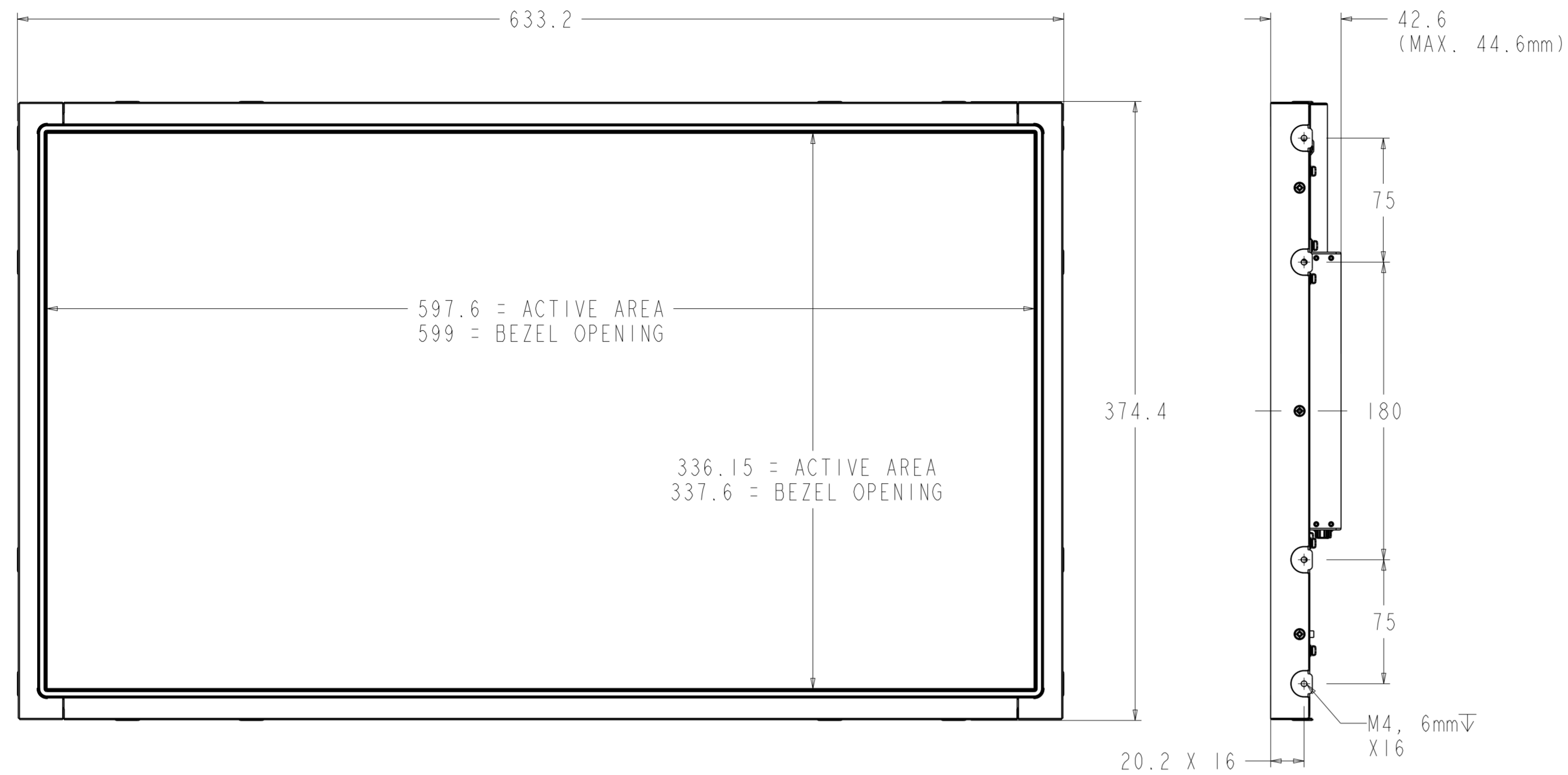
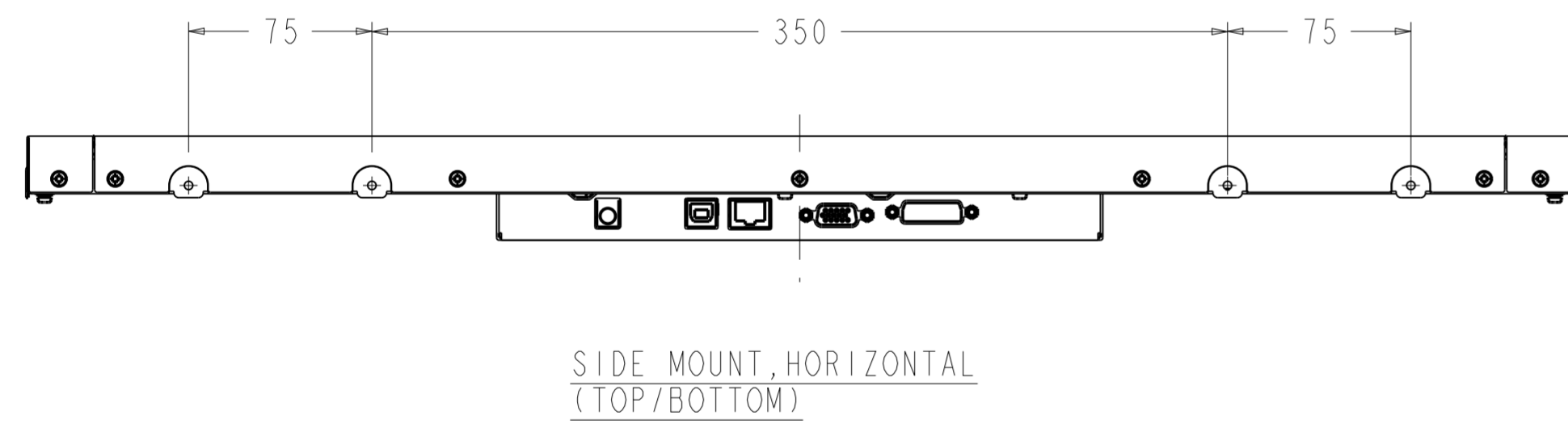
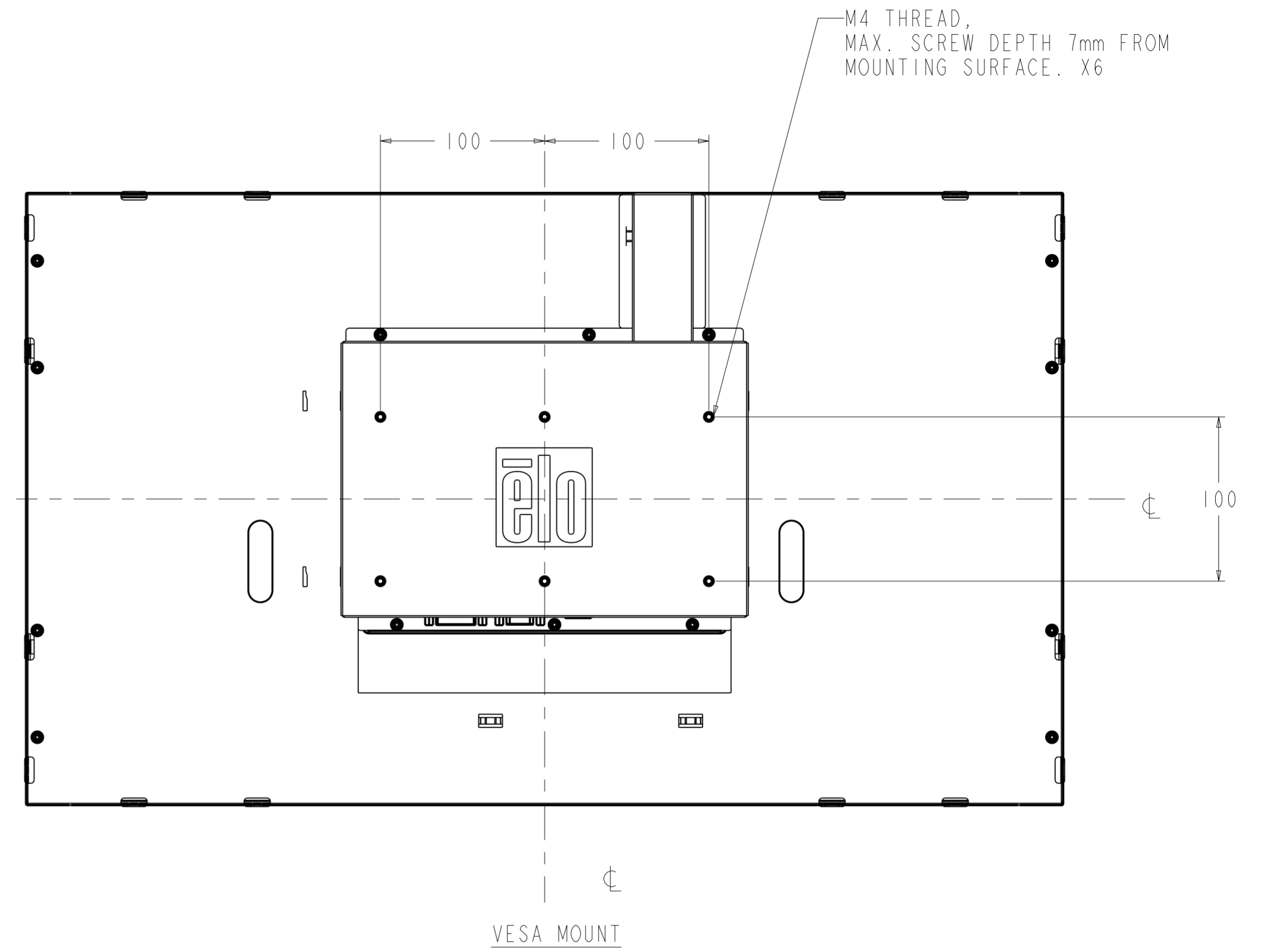


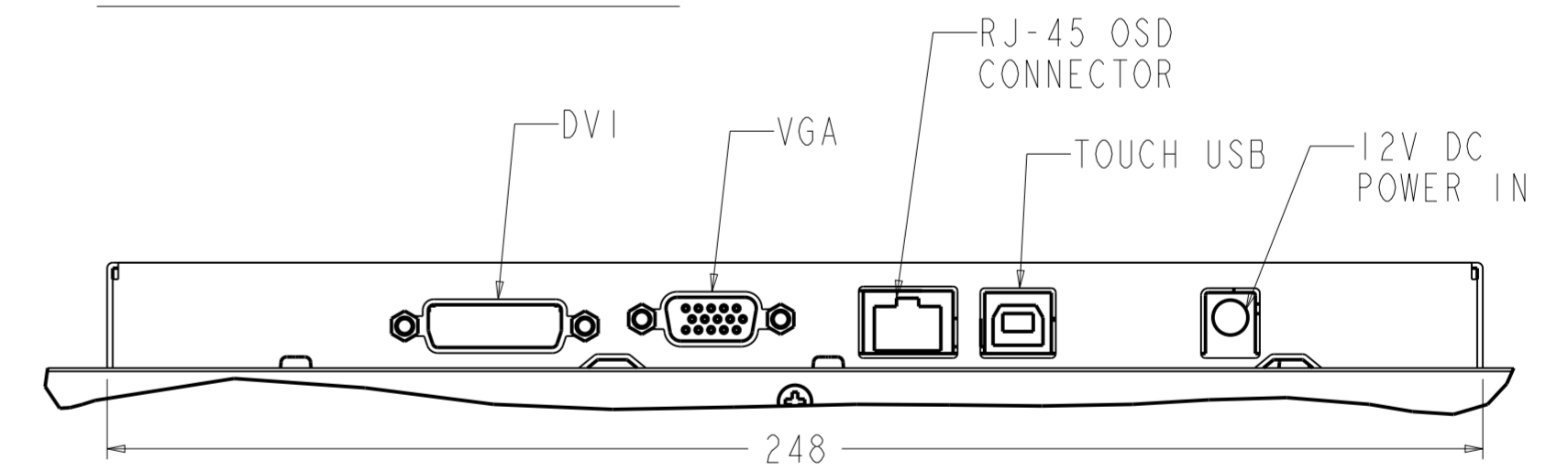
INTELLITOUCH / SECURE TOUCH/ NO TOUCH(W/ BEZEL)



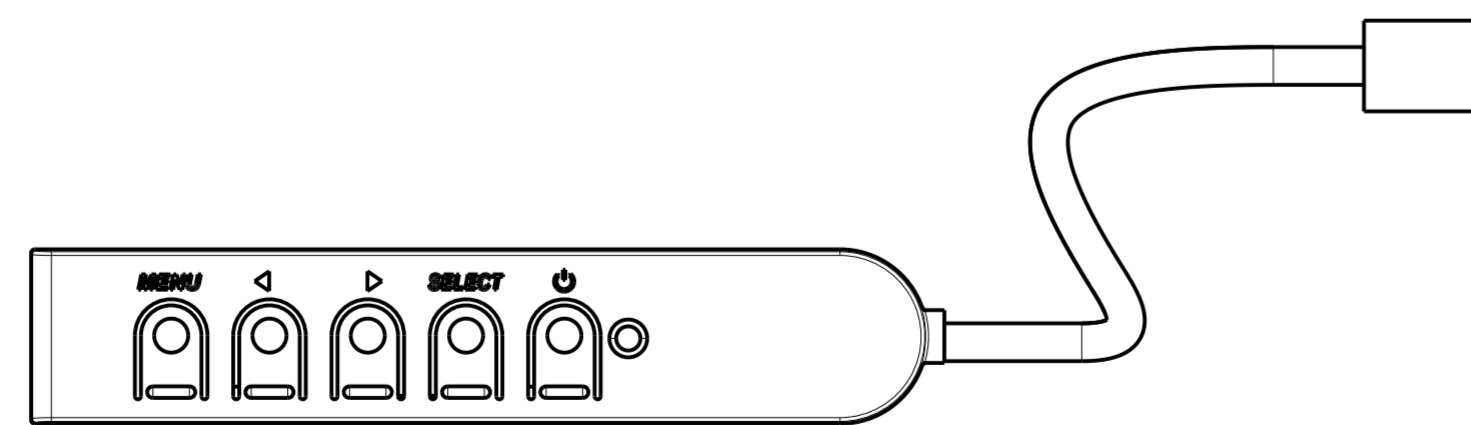
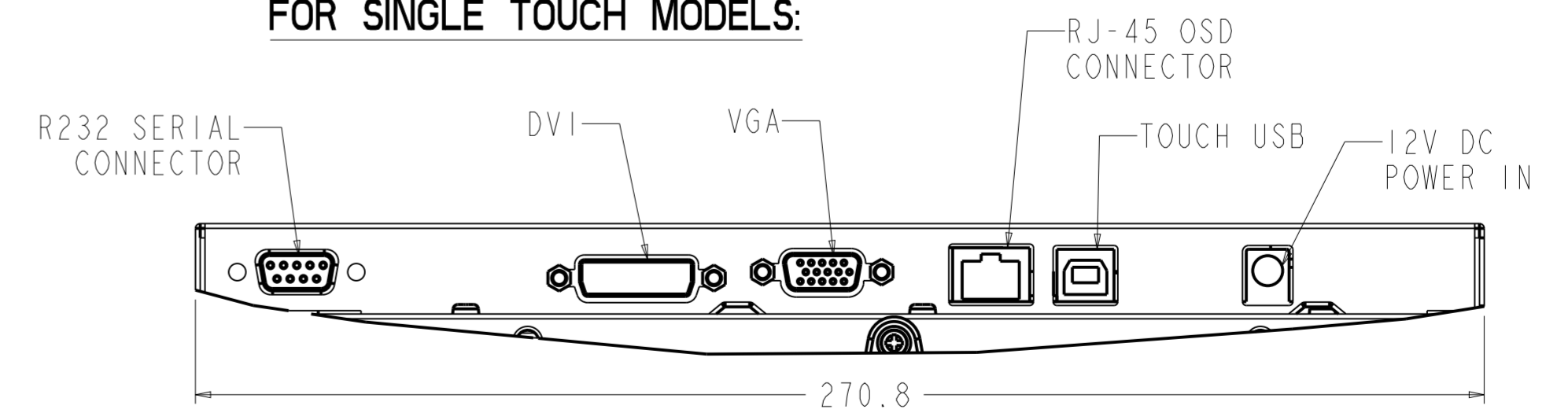
SIDE MOUNT, VERTICAL
(LEFT/RIGHT)



FOR MULTI-TOUCH MODELS:



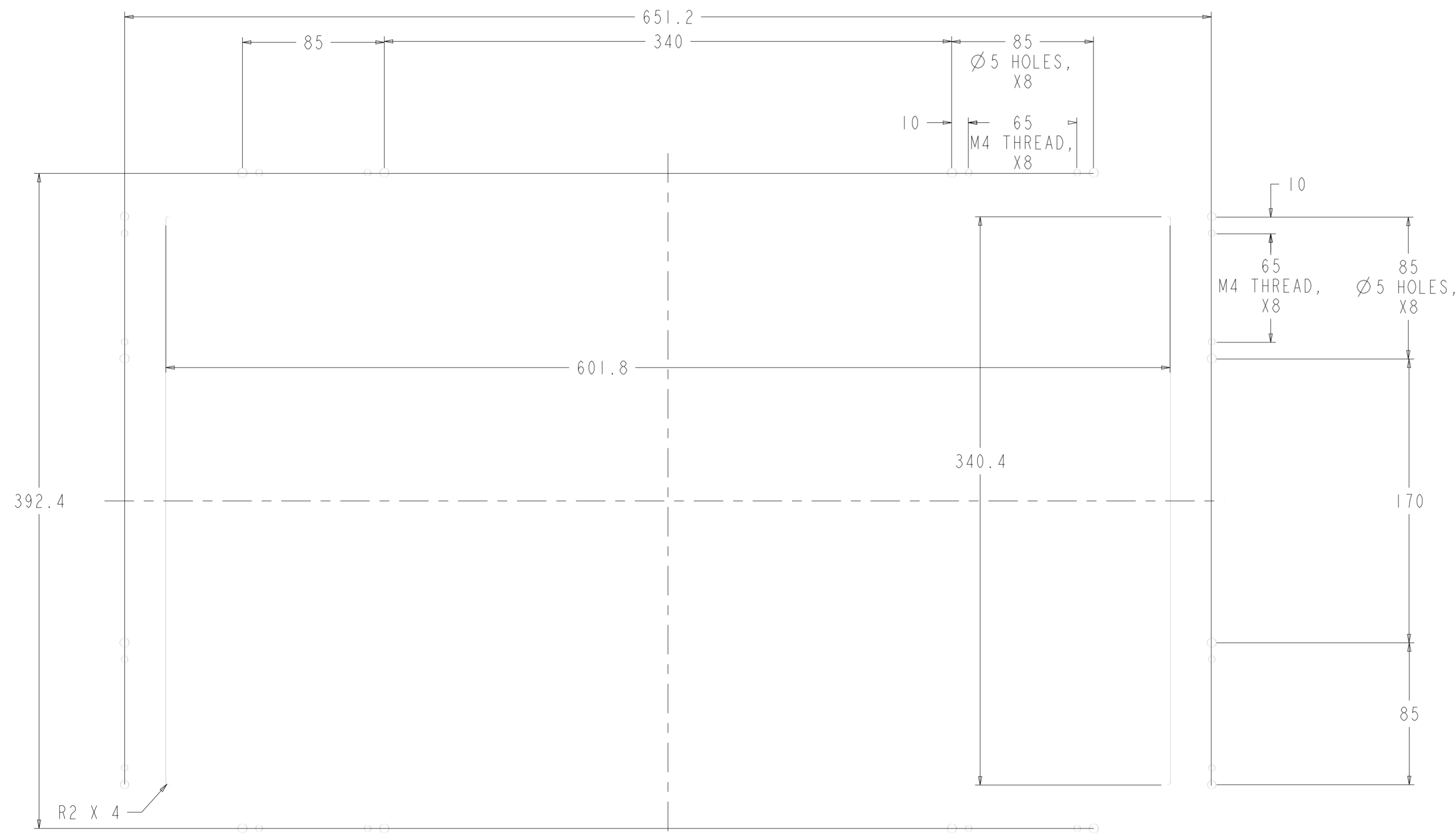
FOR SINGLE TOUCH MODELS:



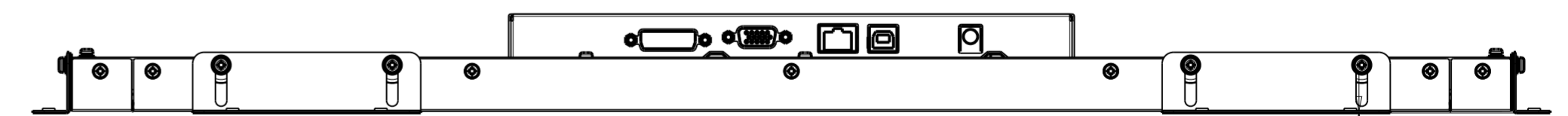
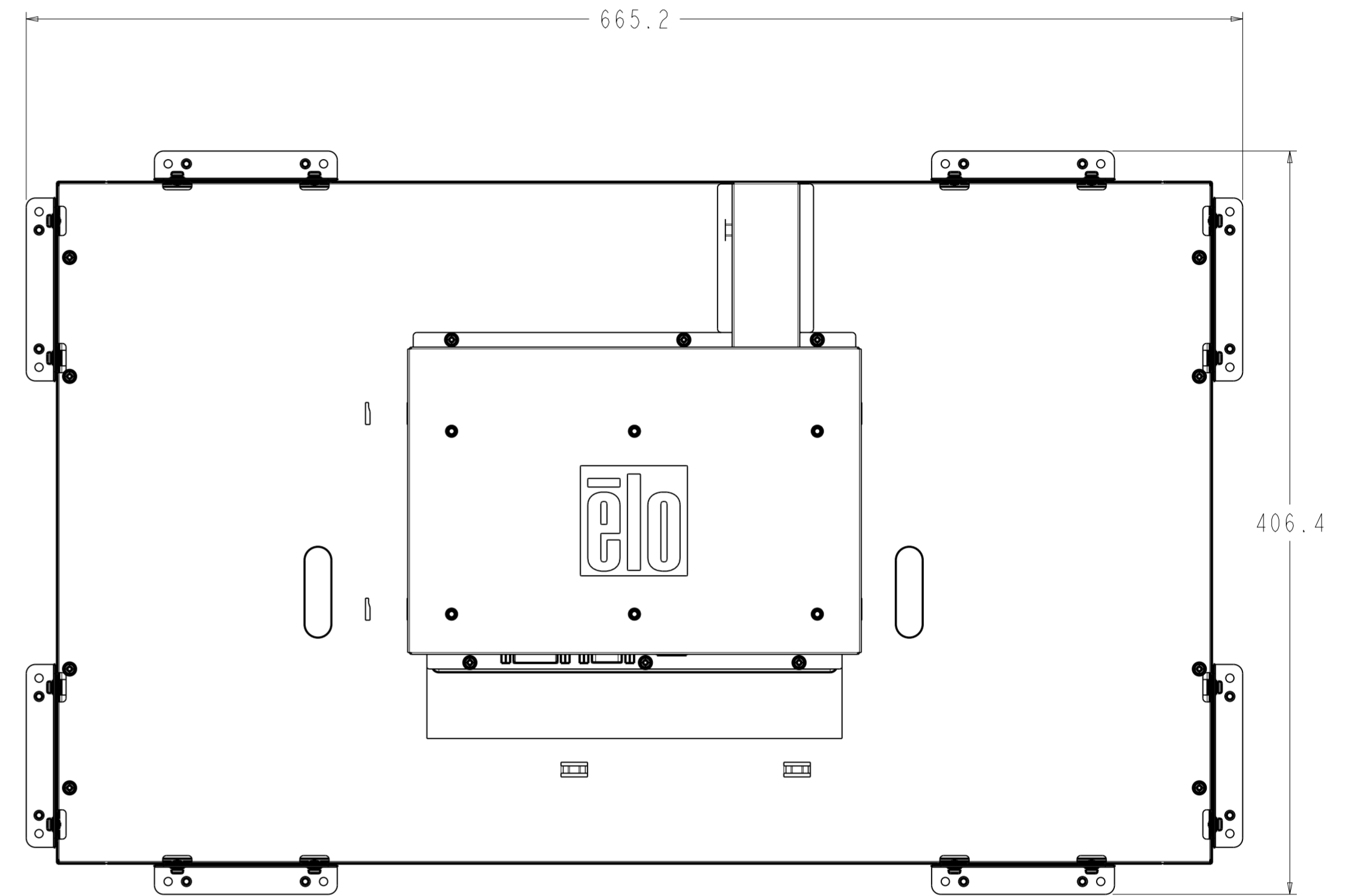
OPTIONAL OSD REMOTE P/N E483757
(I INCLUDED WITH TOUCH MONITOR)

INTELLITOUCH / SECURE TOUCH/ NO TOUCH(W/ BEZEL) ONLY

MOUNTING WITH ADJUSTABLE BRACKETS (8 PROVIDED)



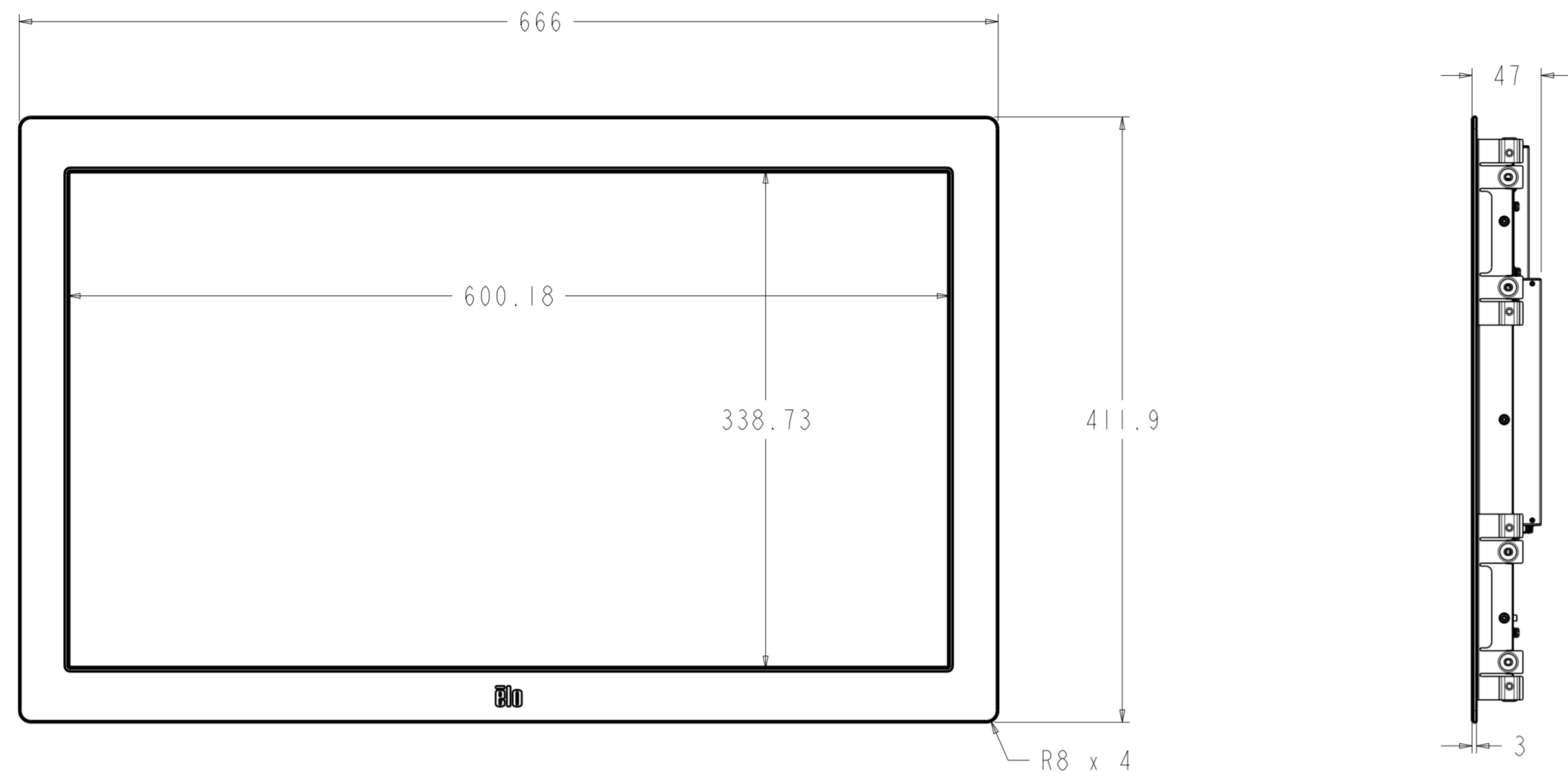
RECOMMENDED CUSTOMER PANEL CUT-OUT



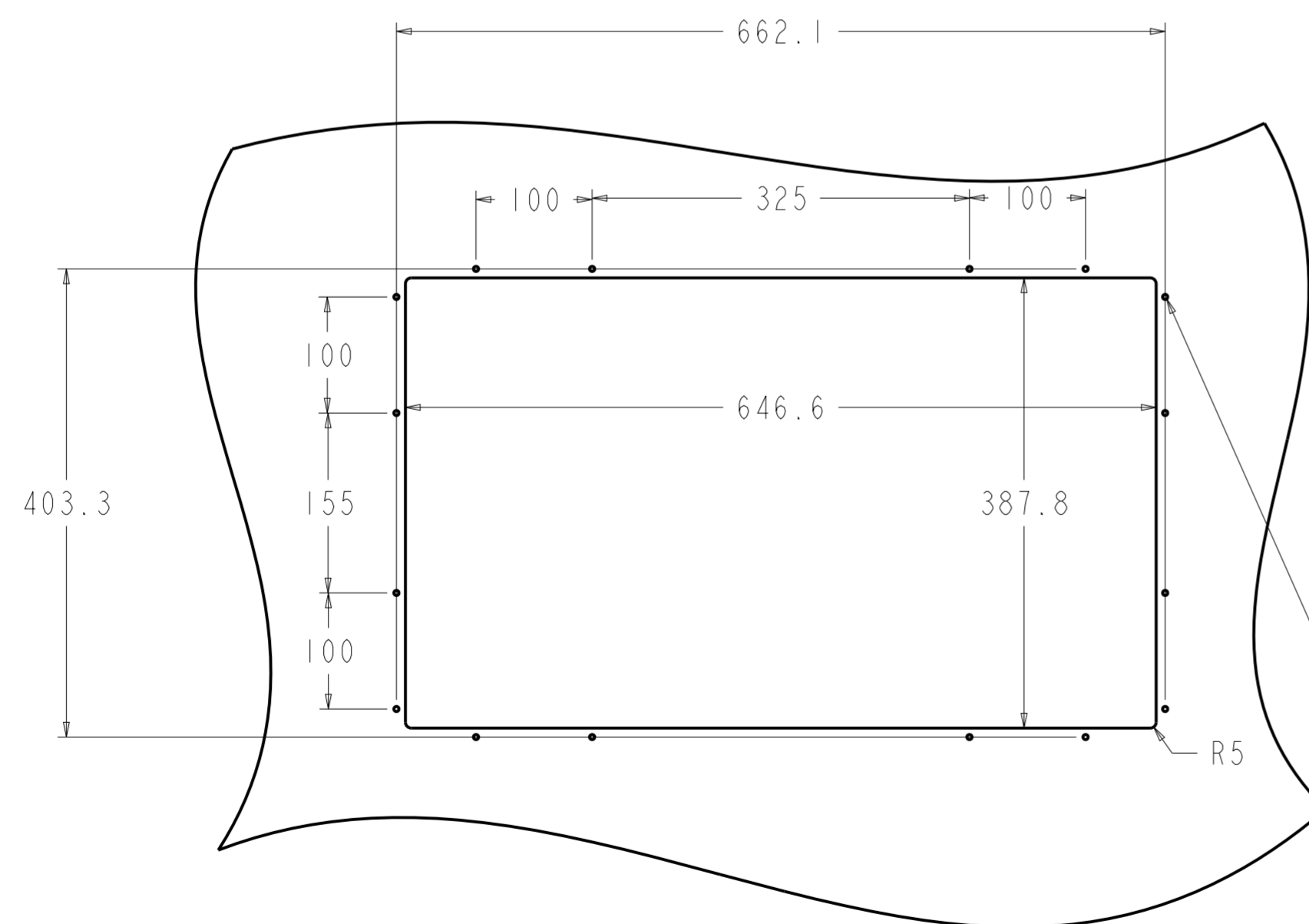
MOUNTING BRACKET ADJUSTMENT RANGE:
-1 TO 14.5 (X8 PLACES)

INTELLITOUCH / SECURE TOUCH/ NO TOUCH(W/ BEZEL) ONLY

OPERATIONAL FRONT MOUNT BEZEL KIT - P/N E589935
 (ORDERED SEPARATELY, CUSTOMER ASSEMBLED)

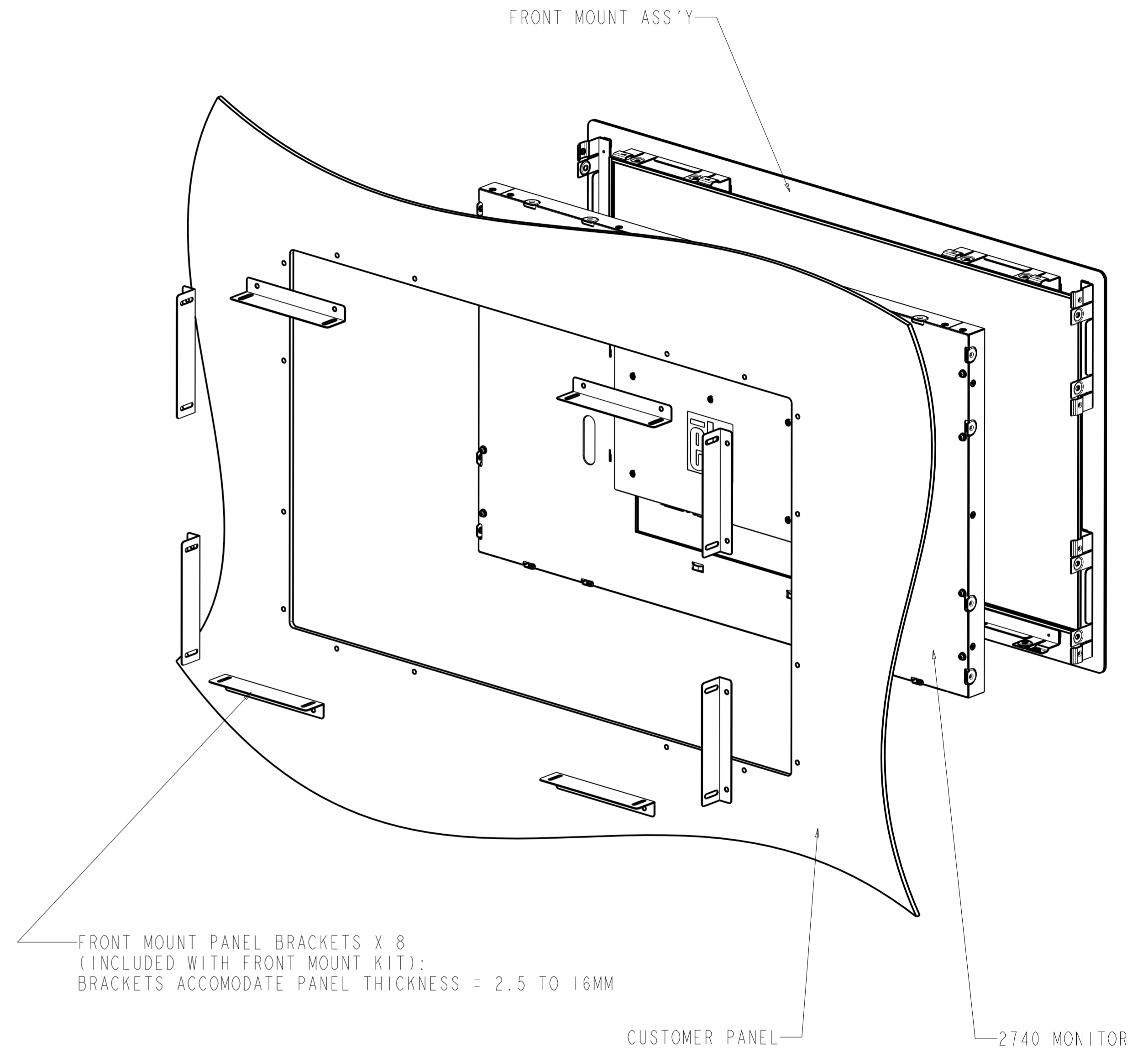


FRONT MOUNT BEZEL

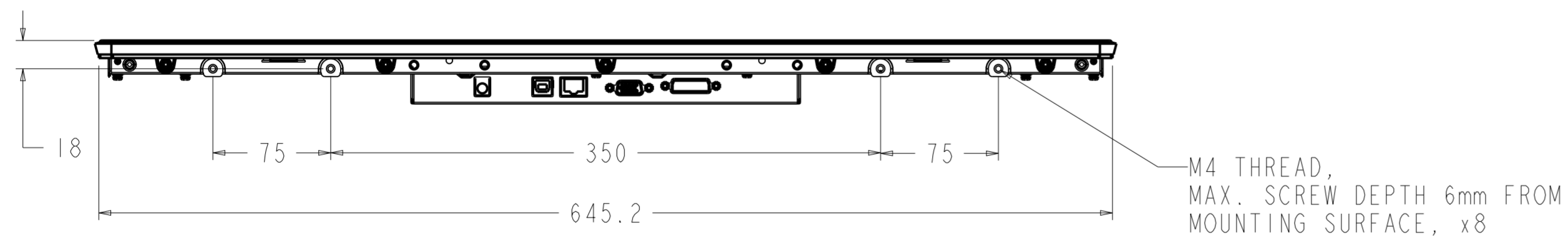
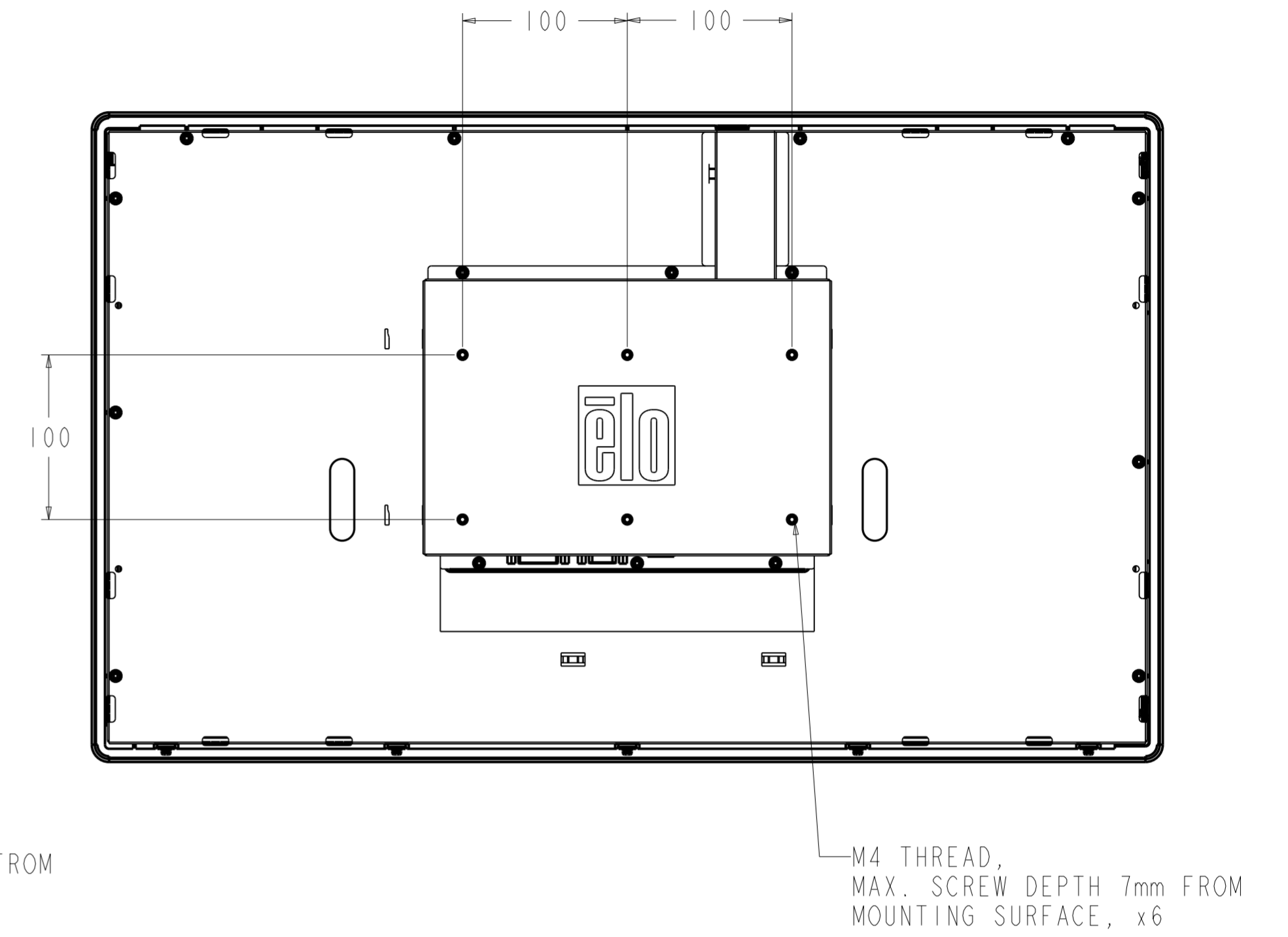
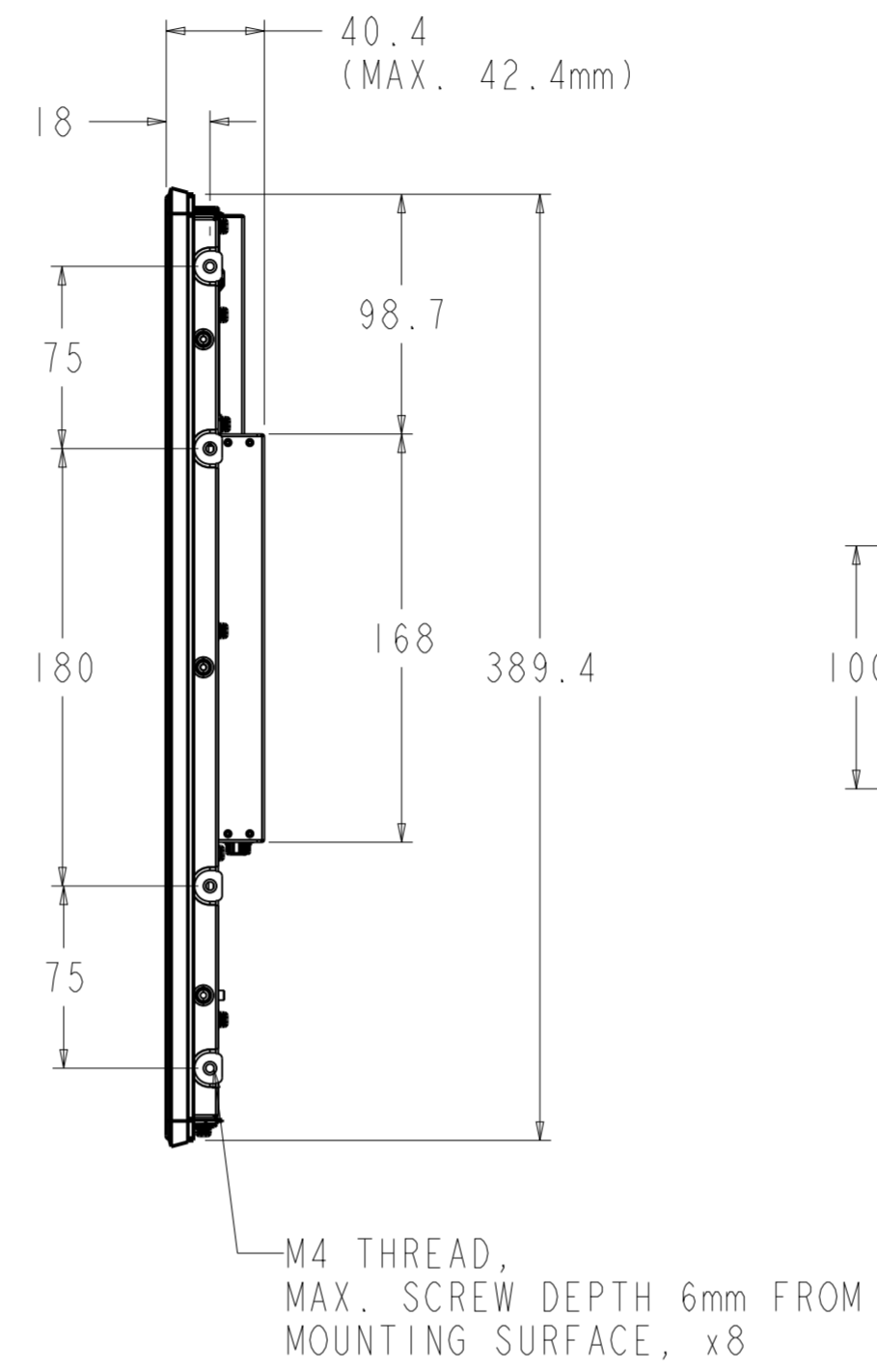
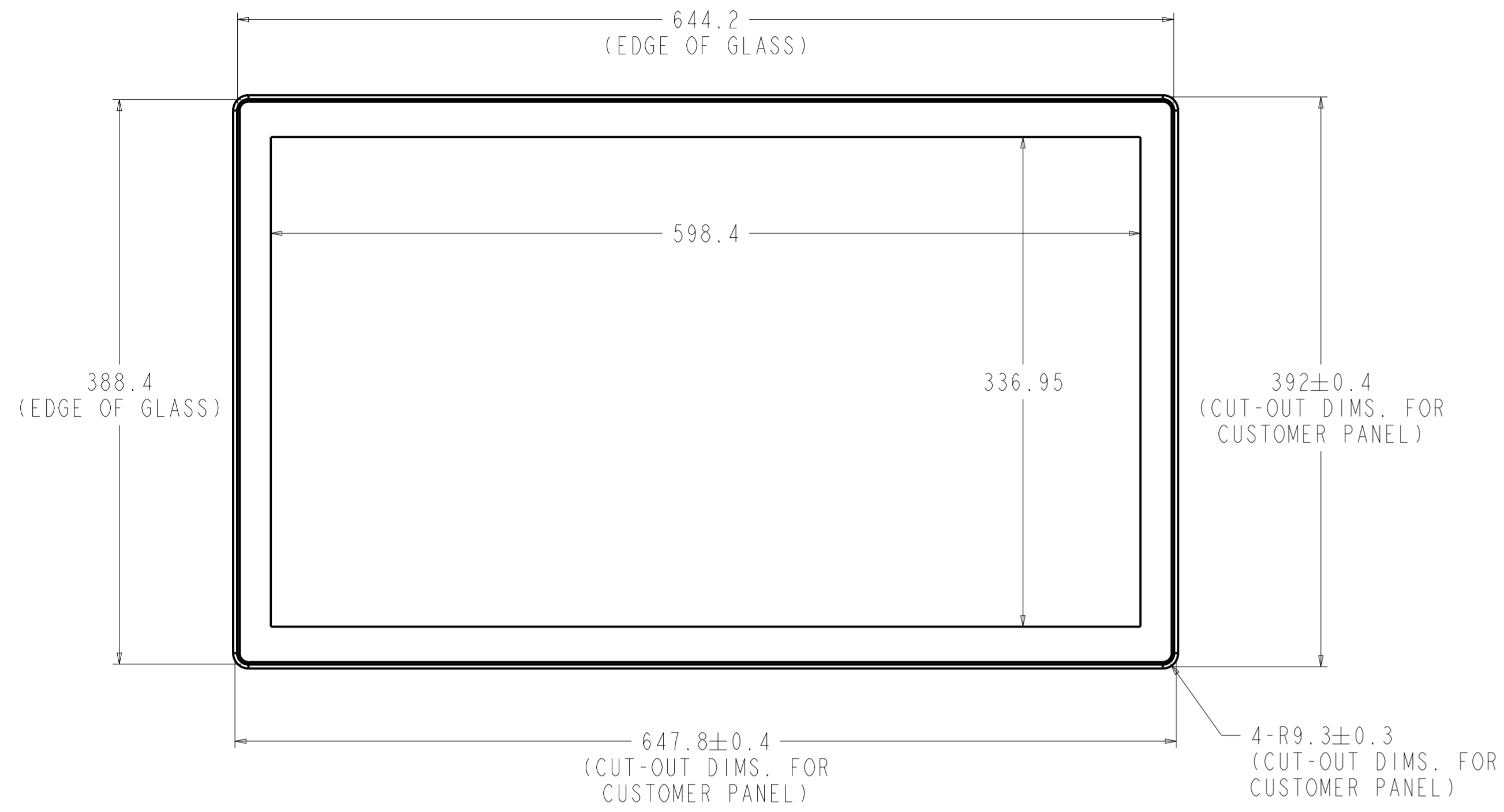


RECOMMENDED CUSTOMER PANEL CUT-OUT

MOUNTING HOLES, X 16
 1. IF CUSTOMER PANEL IS WOOD,
 Ø 4.5MM THRU HOLES FOR M4 SCREWS OR
 NO THRU HOLES, SCREWS FOR WOOD Ø 4MM;
 2. IF CUSTOMER PANEL IS SHEET METAL,
 CONCEALED HEAD THREADED STUDS M4 WITH NUTS;



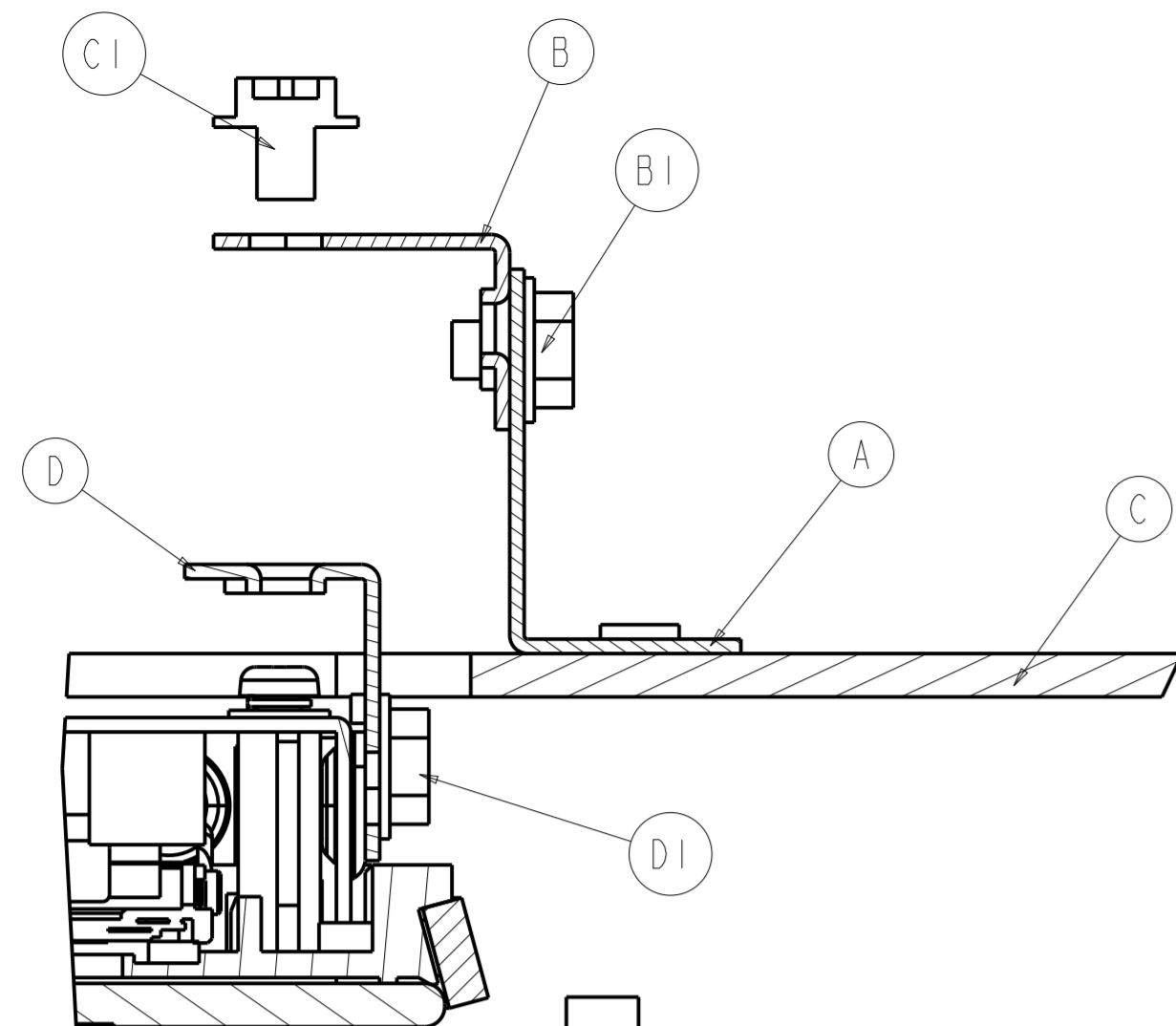
iTOUCH MODELS /NO TOUCH (ZB) ONLY



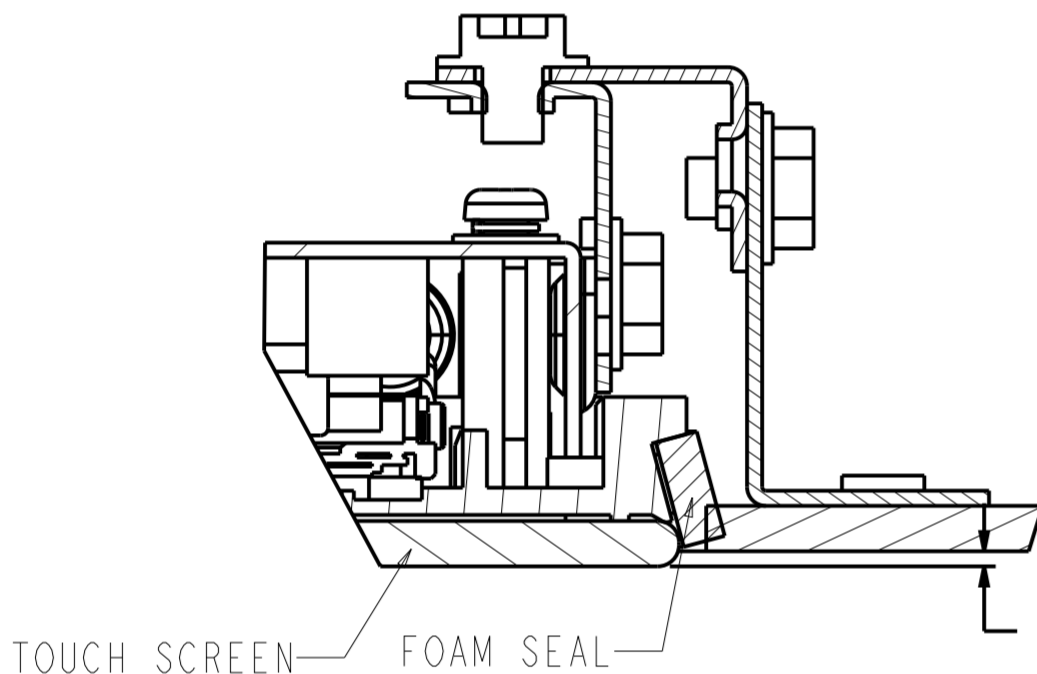
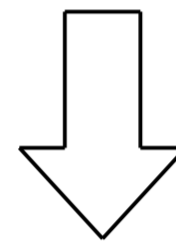
iTOUCH MODELS /NO TOUCH (ZB) ONLY
 MOUNTING WITH ADJUSTABLE FLUSH BRACKETS (8 KITS IS PROVIDED)

INSTALLATION NOTES:

1. ATTACH BRACKET "A" TO CUSTOMER PANEL "C" PER DRAWING
2. ATTACH BRACKET "B" TO BRACKET "A" WITH M4 HEX HEAD SCREWS "B1" (INCLUDED)
3. ATTACH BRACKET "D" TO TOUCH MONITOR WITH M4 HEX HEAD SCREW "D1" (INCLUDED)
4. PLACE ASSEMBLED TOUCH MONITOR INTO CUSTOMER PANEL OPENING TAKING CARE NOT TO DAMAGE FOAM SEAL
4. ADJUST DEPTH OF BRACKETS "B" SO MONITOR IS SLIGHTLY PROUD OF CUSTOMER PANEL (~1mm)
5. SECURE TOUCHMONITOR TO BRACKET "B" + "A" FROM BEHIND WITH M4 HEX HEAD SCREWS "C1" (INCLUDED)



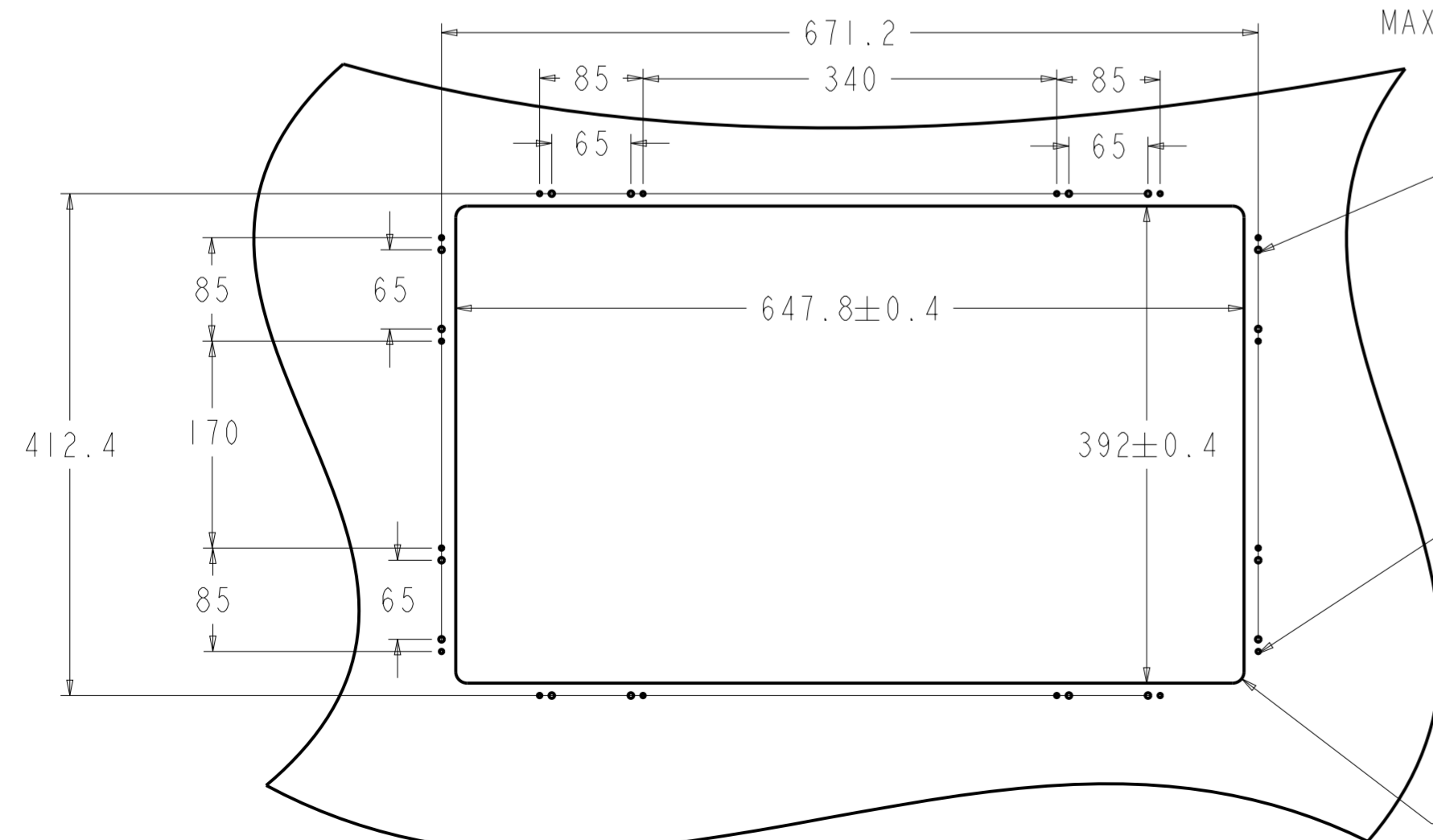
SECTION V-V
SCALE 2.000



SECTION V-V
SCALE 2.000

(RECOMMENDED OFFSET OF TOUCH-SCREEN SURFACE)

CUSTOMER PANEL CUT-OUT



CUSTOMER PANEL:
 MIN THICKNESS = 3mm
 MAX THICKNESS = 18mm

Ø 4.5 THROUGH HOLE, x16
 FOR M4 THREADS ON BRACKET

MOUNTING HOLES, X16
 IF CUSTOMER PANEL IS METAL,
 BLIND HOLE, M4 THREADS

4-R9.3±0.3

