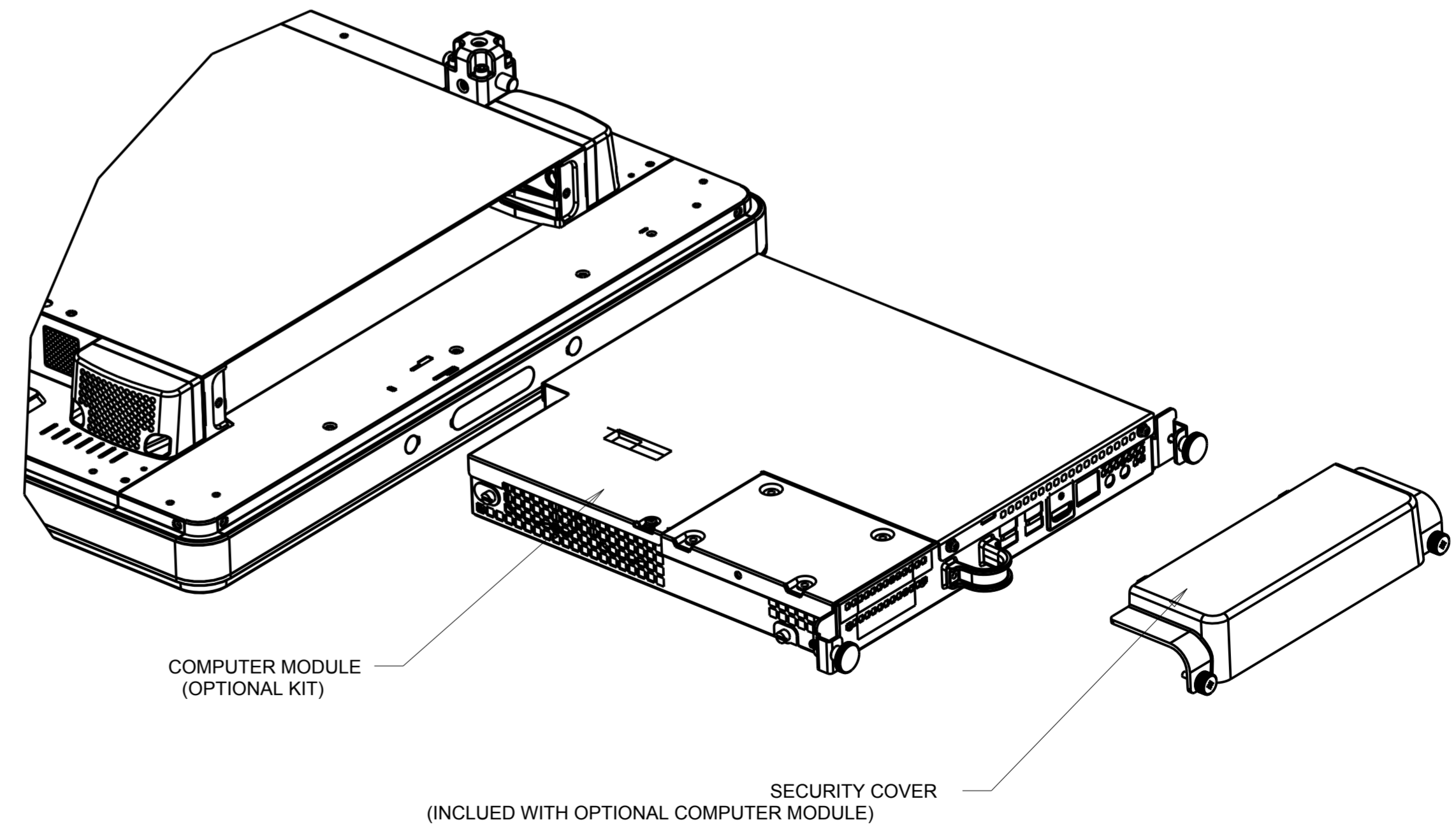
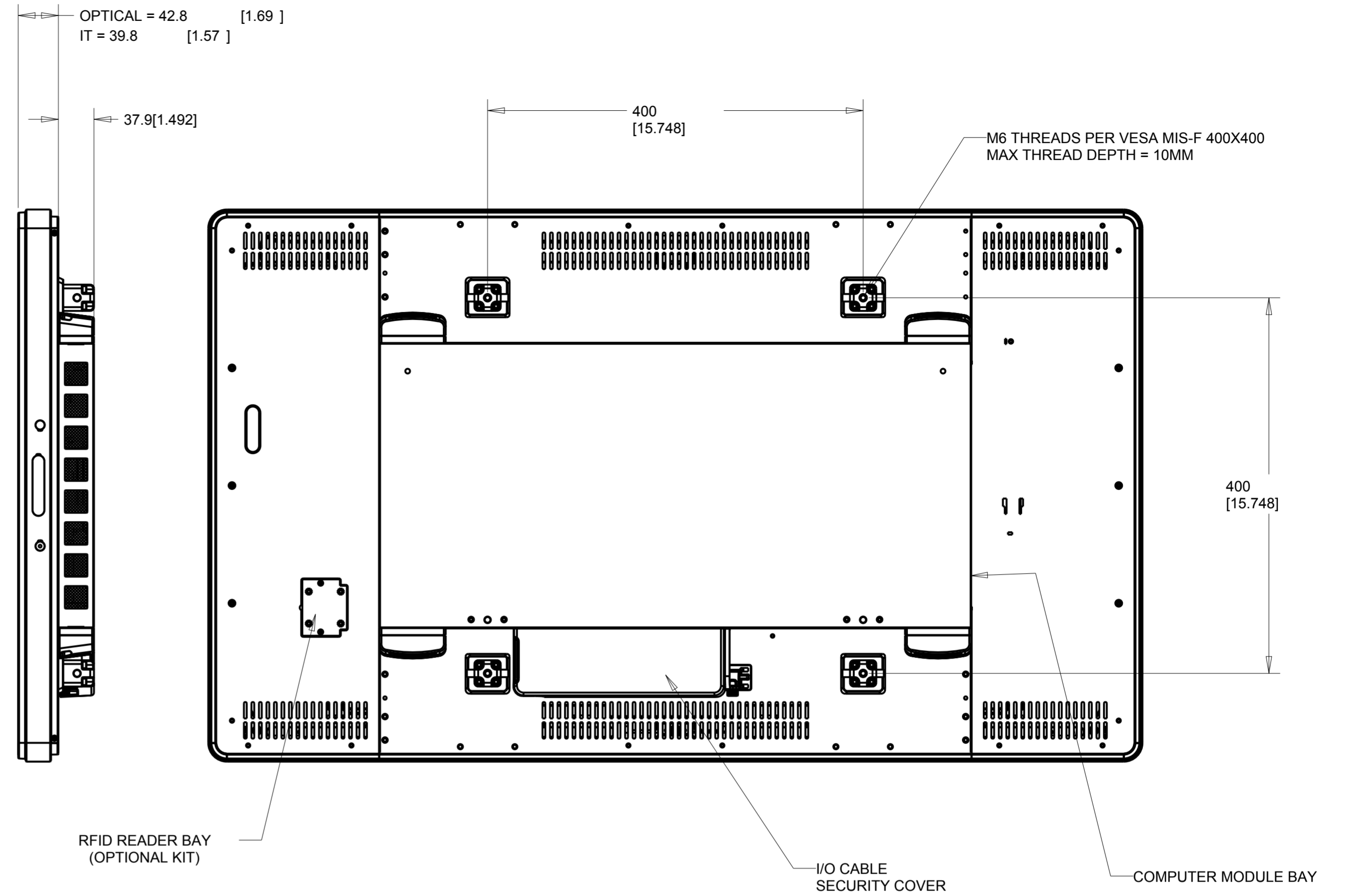
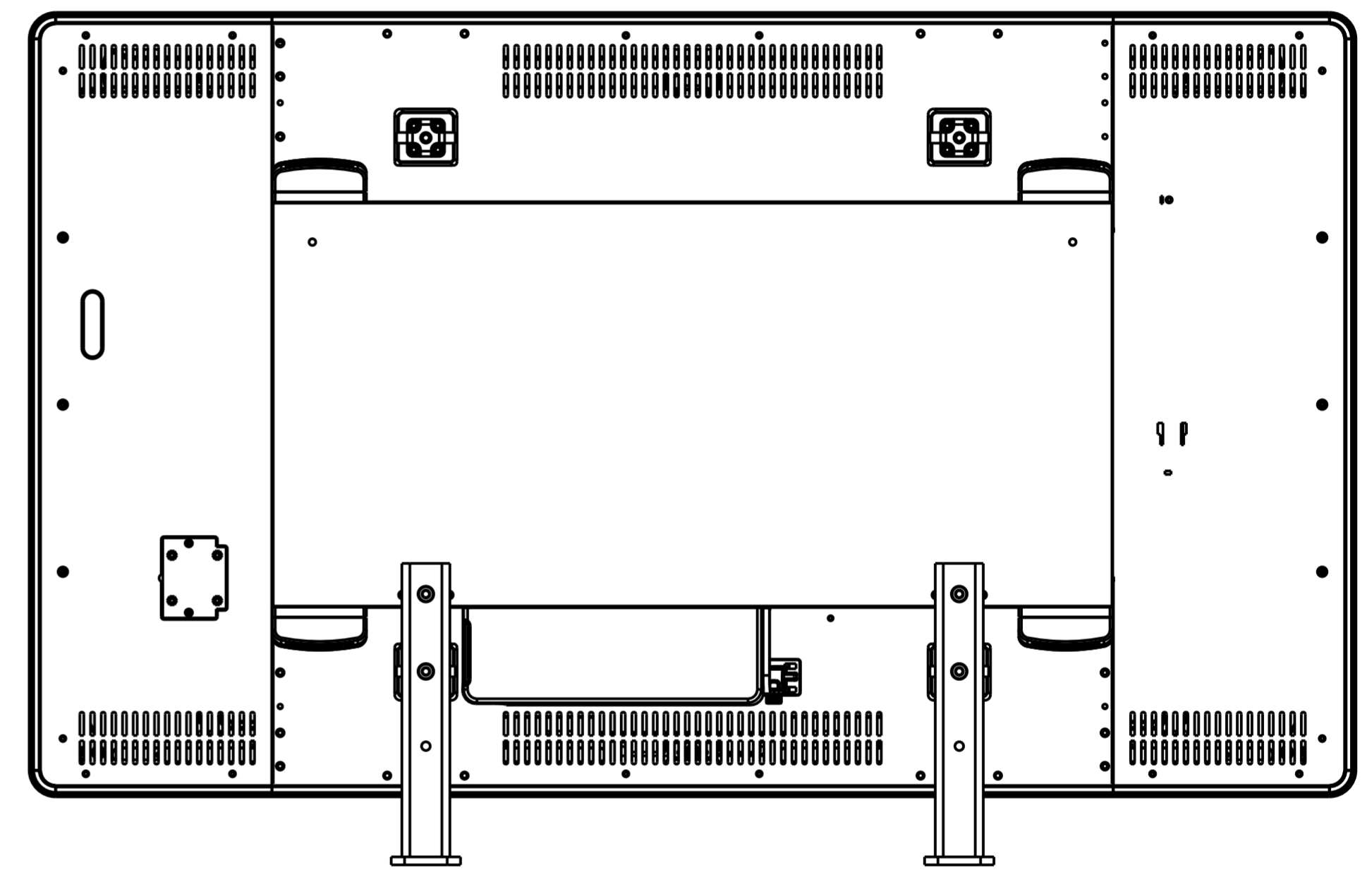
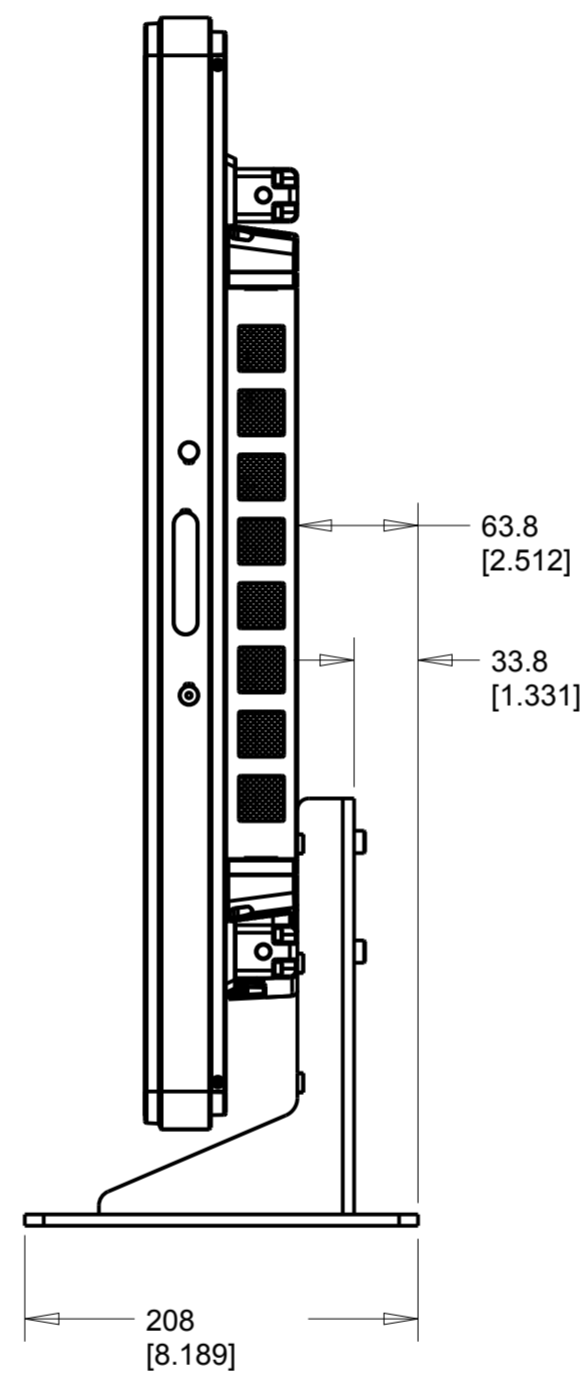
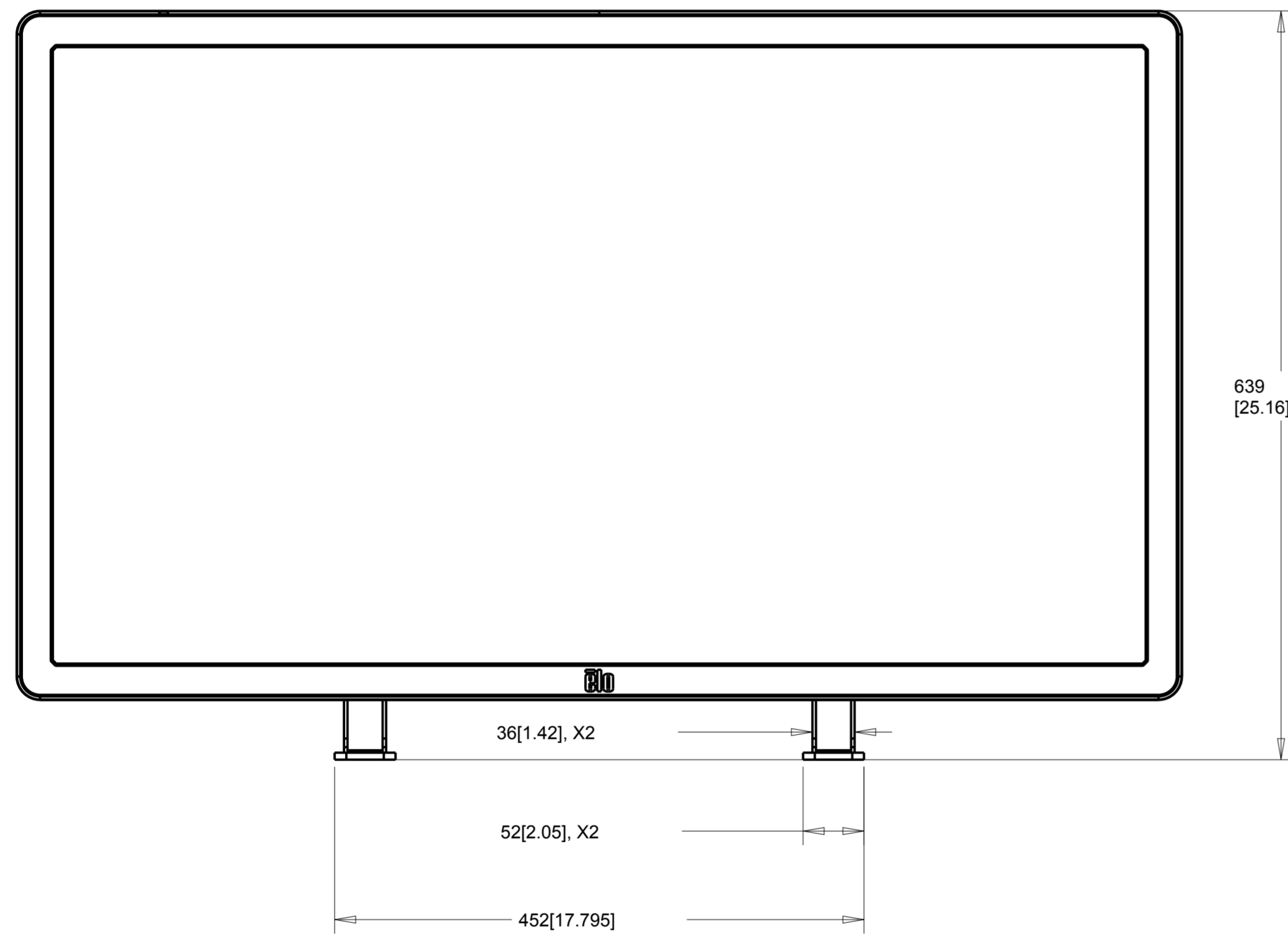


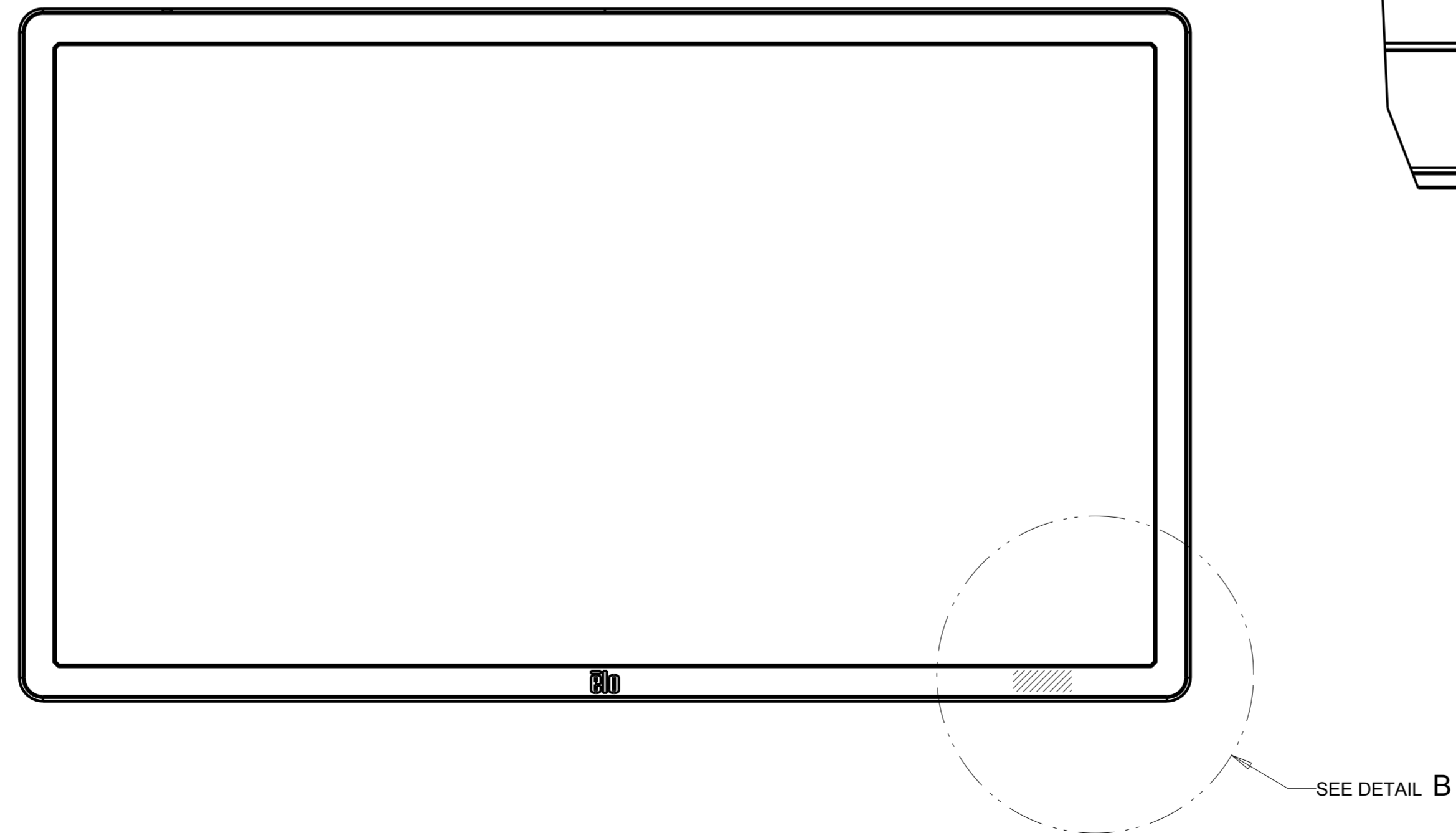
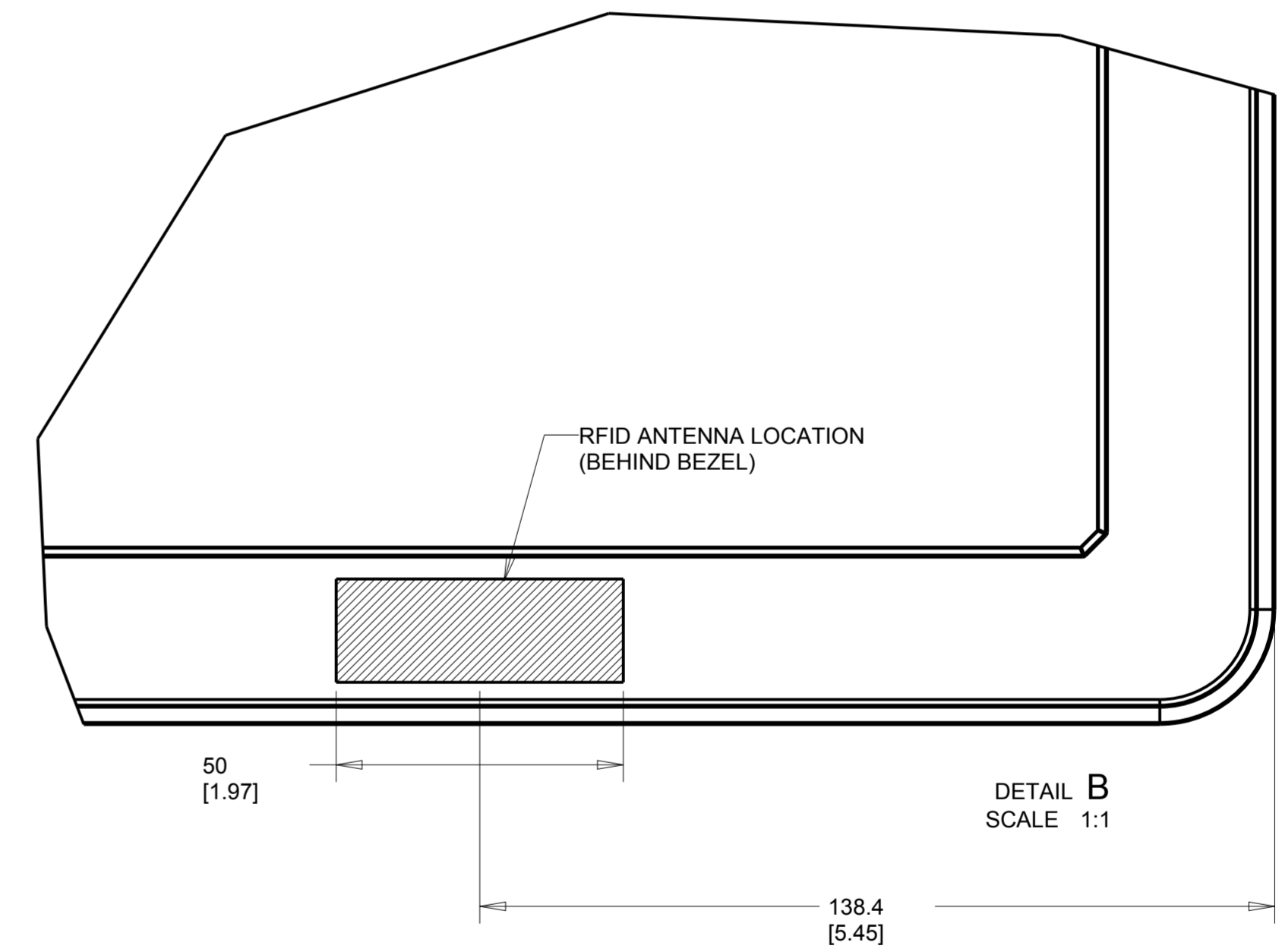
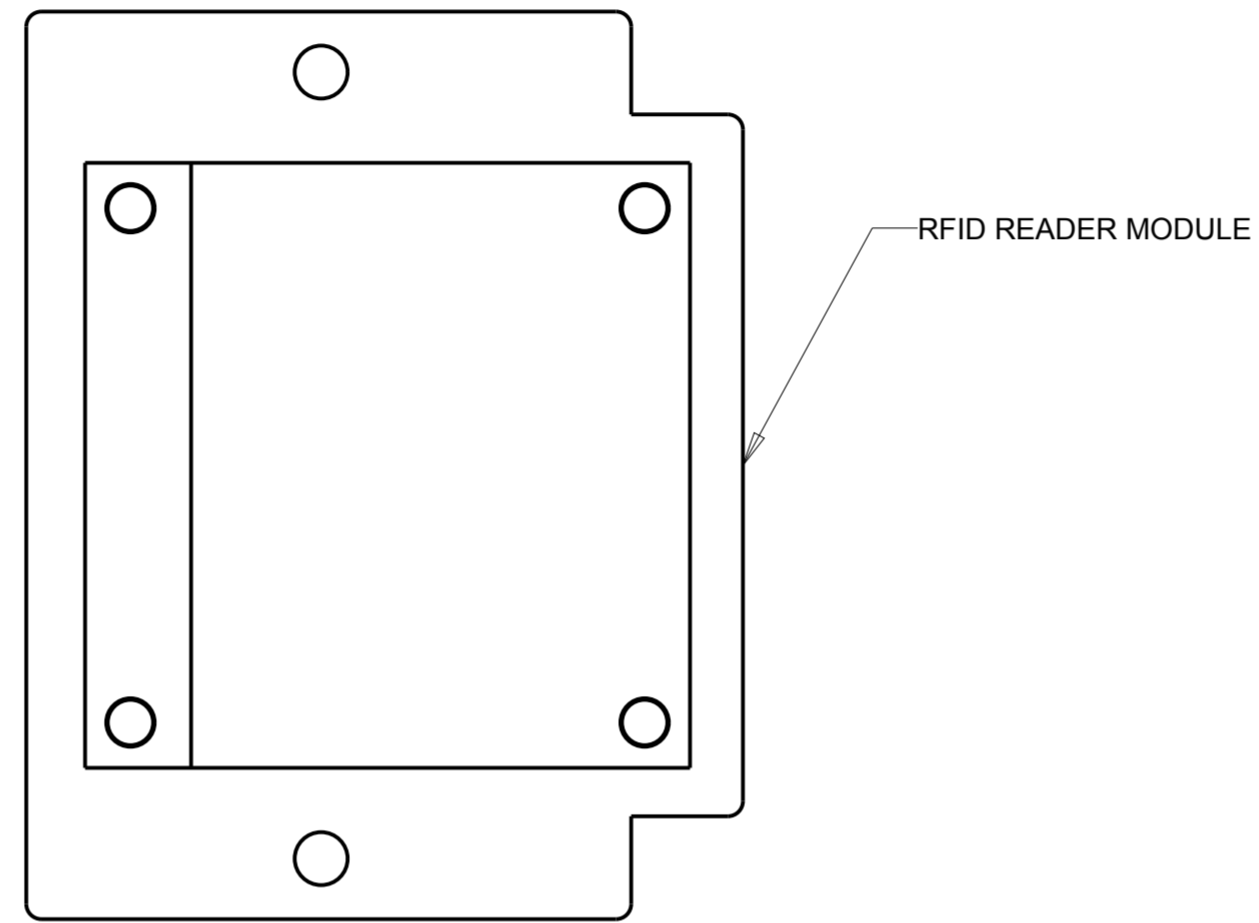
DIMENSIONS ARE IN MILLIMETERS [INCHES]



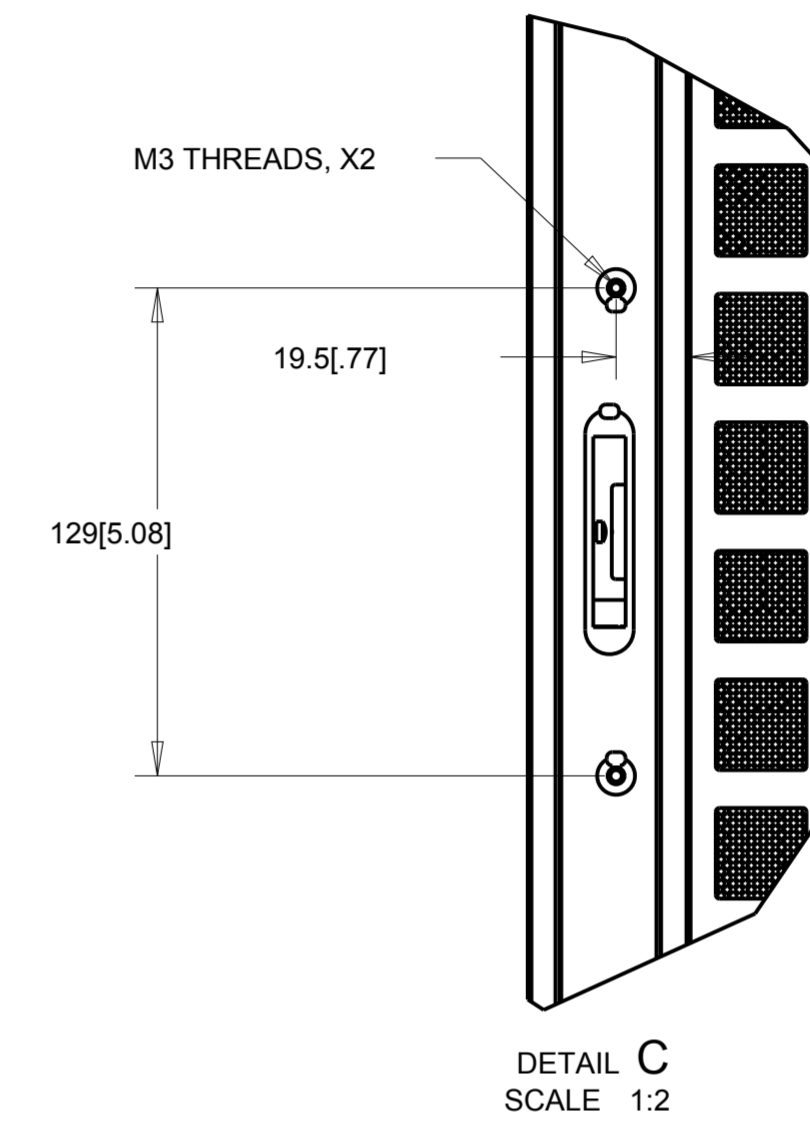
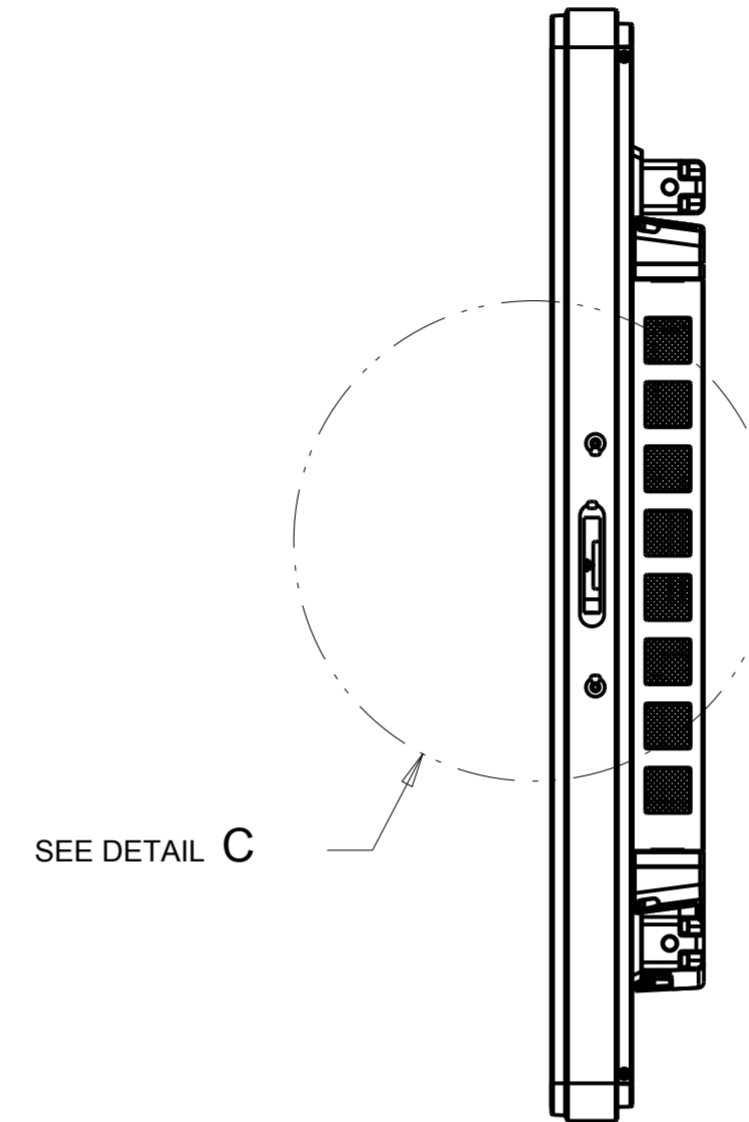
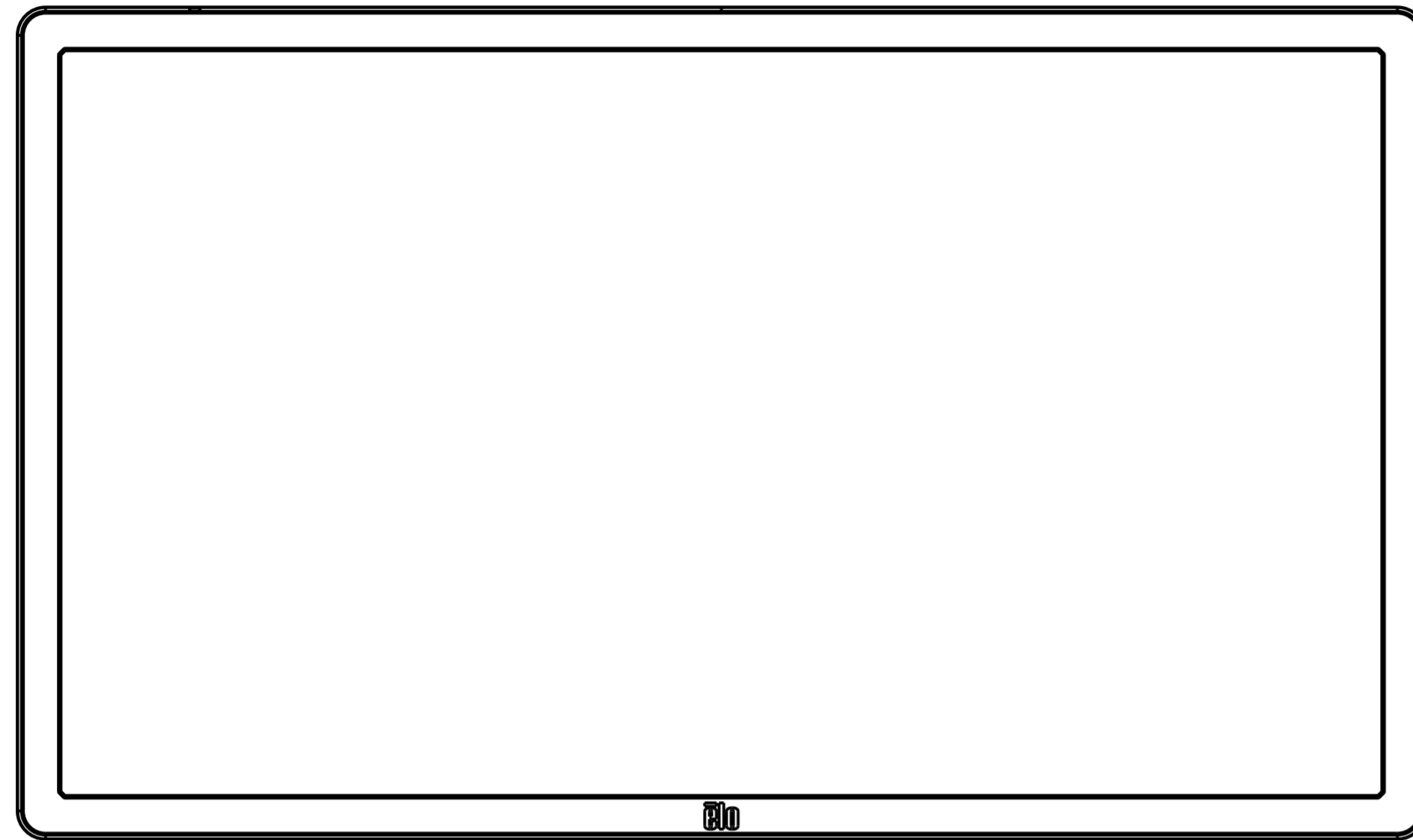
# OPTIONAL STAND KIT P/N:E455084



# OPTIONAL RFID KIT P/N:E603158



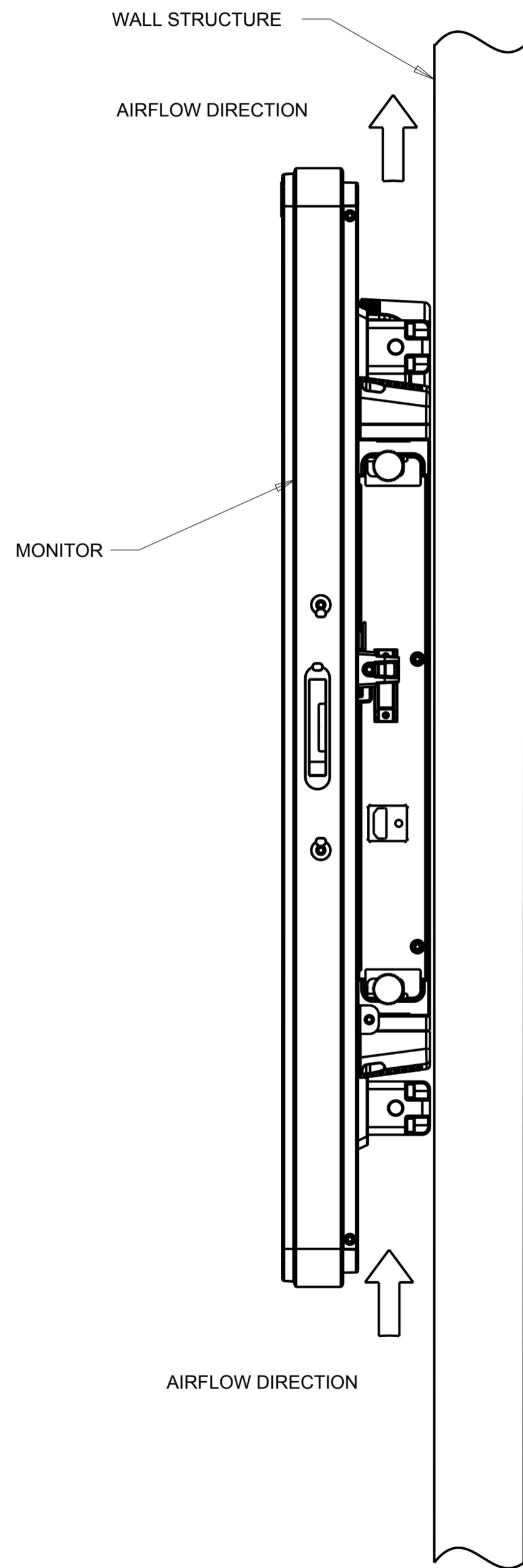
MOUNTING INTERFACE FOR PERIPHERALS  
(ONE PER SIDE, FOUR TOTAL)



# THERMAL RECOMMENDATIONS (PORTRAIT AND LANDSCAPE ORIENTATION)

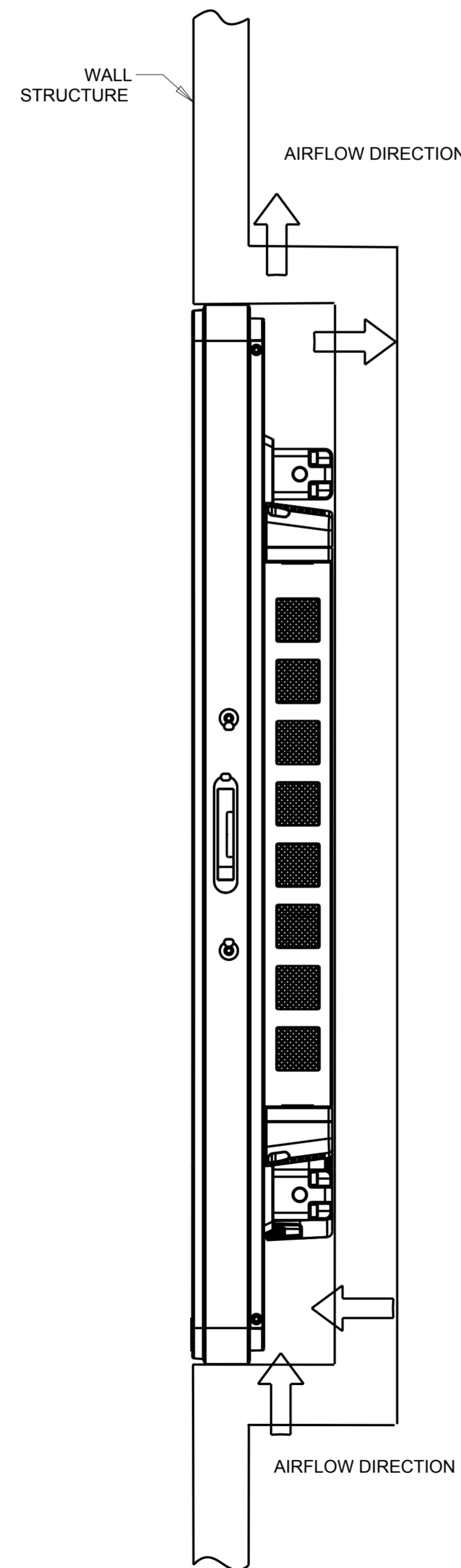
## WALL-MOUNTING

MAINTAIN AMBIENT ROOM TEMPERATURE BELOW 40° C.

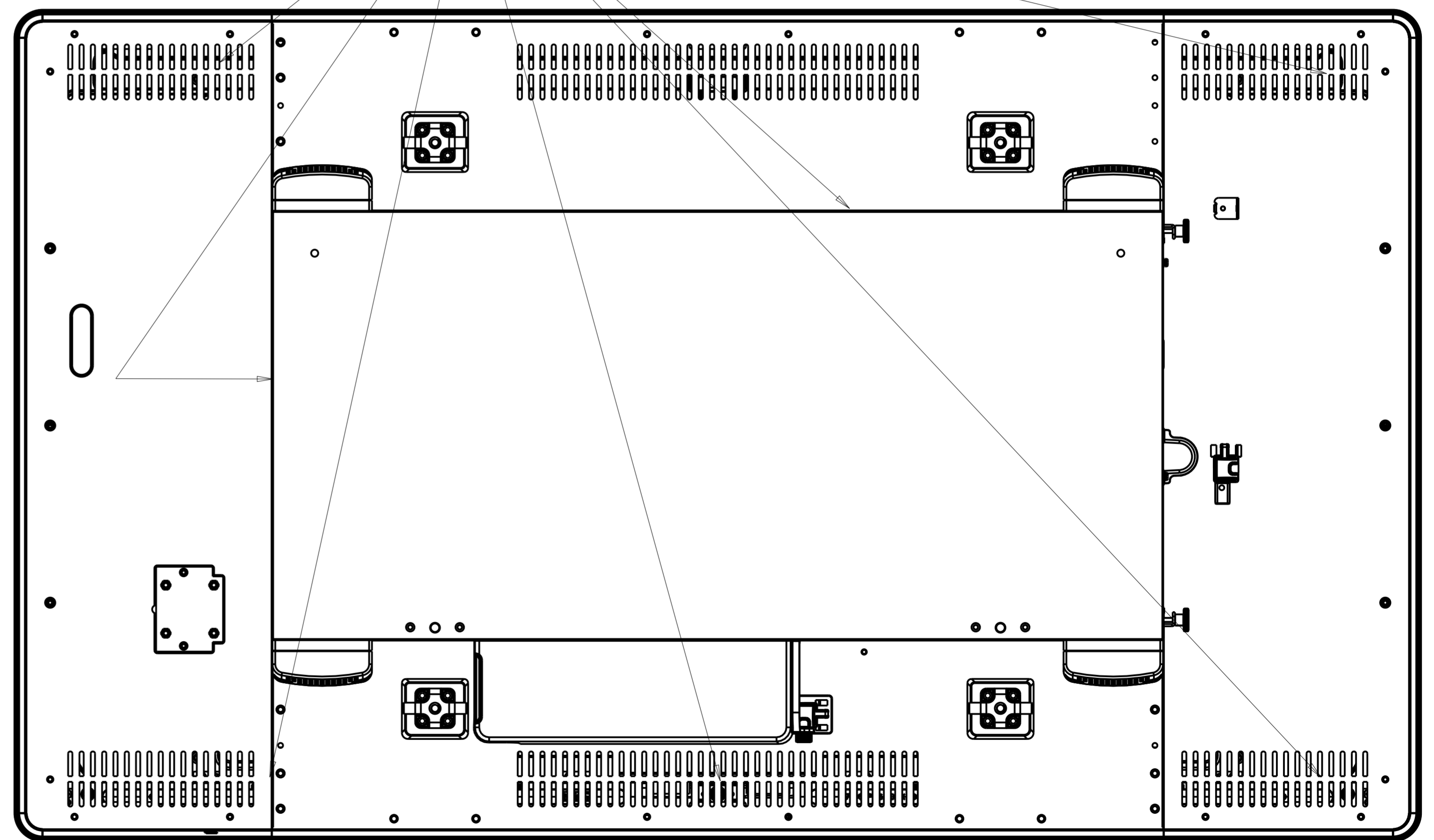


## FLUSH-MOUNTING

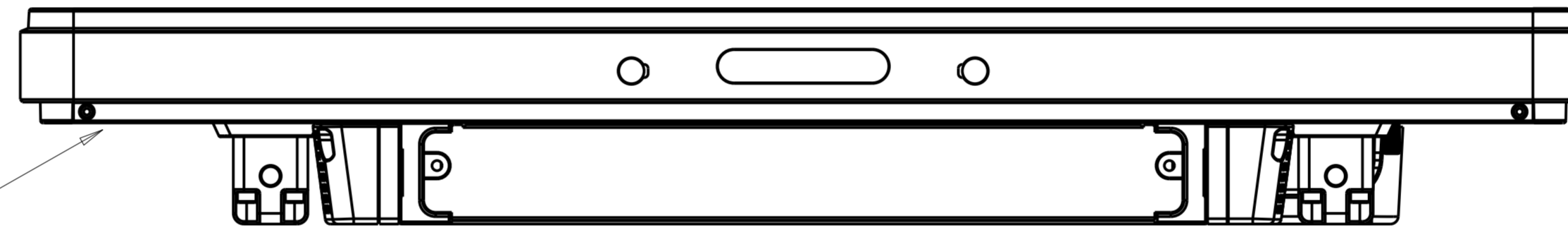
AIRSPACE BEHIND MONITOR MUST NEVER EXCEED 40° C DURING OPERATION. INSTALL VENTING AND/OR FANS IN WALL STRUCTURE TO CIRCULATE AIR AND MAINTAIN SAFE OPERATING TEMPERATURE.



PRODUCT VENTING LOCATIONS DO NOT BLOCK DURING OPERATION



# THERMAL RECOMMENDATIONS (TABLE-TOP ORIENTATION)



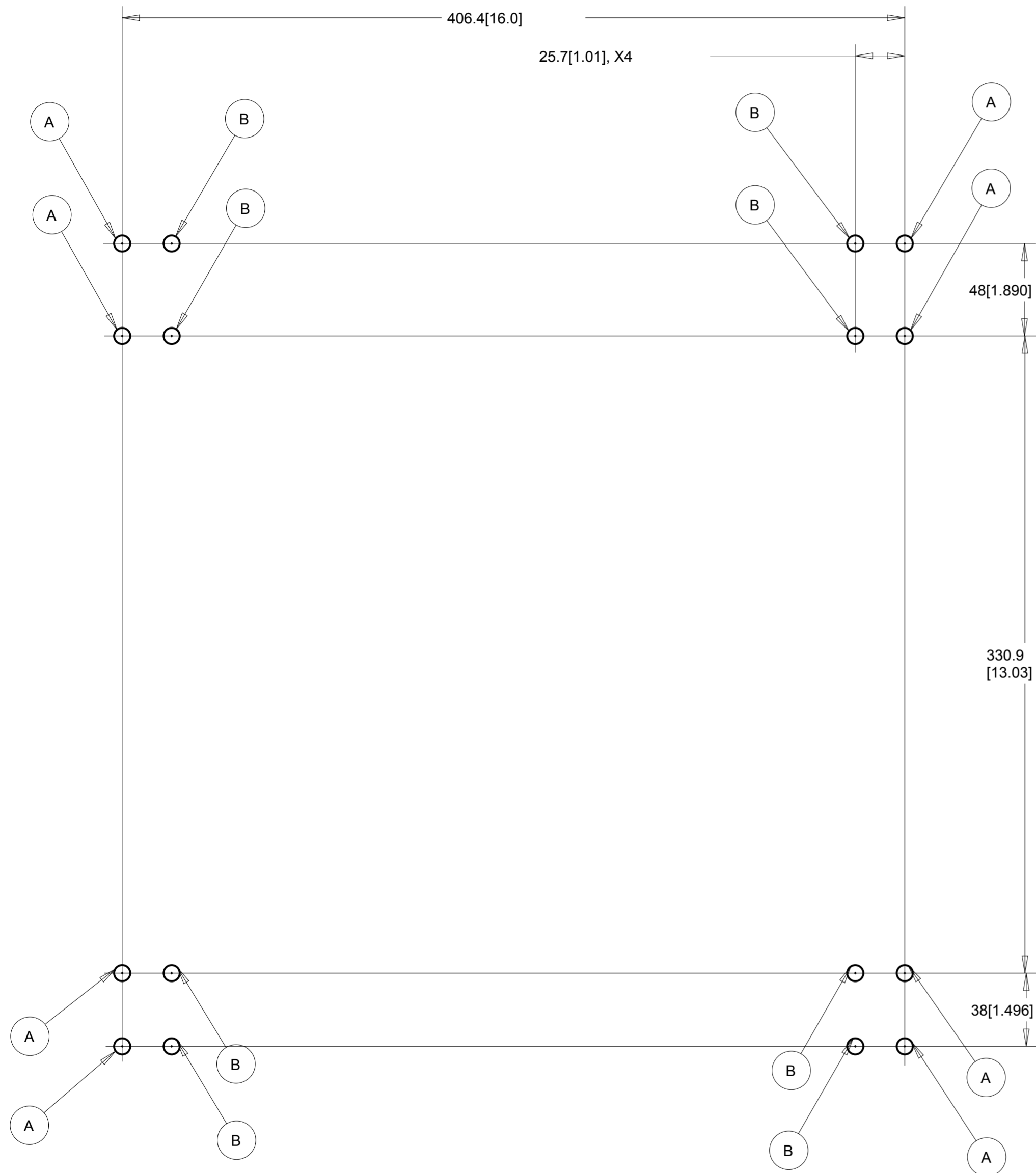
PRODUCT VENTING ALL AROUND MONITOR  
MUST BE KEPT OPEN TO MAINTAIN  
SAFE OPERATING TEMPERATURE.

WHEN MOUNTED IN TABLE-TOP ORIENTATION,  
DO NOT ALLOW AIR TEMPERATURE UNDERNEATH TOUCH MONITOR TO EXCEED  
OPERATING TEMPERATURE SPECIFICATIONS.

RECOMMENDATION:  
INSTALL AIR CIRCULATION DEVICES ABLE TO MONITOR AND  
CONTROL AIRSPACE TEMPERATURE UNDER THE TOUCHMONITOR  
SO IT WILL COMPLY WITH OPERATING TEMPERATURE SPECIFICATIONS .

OPTIONAL WALL MOUNT KIT  
P/N E750497

MOUNTING BRACKET HOLE SPACING



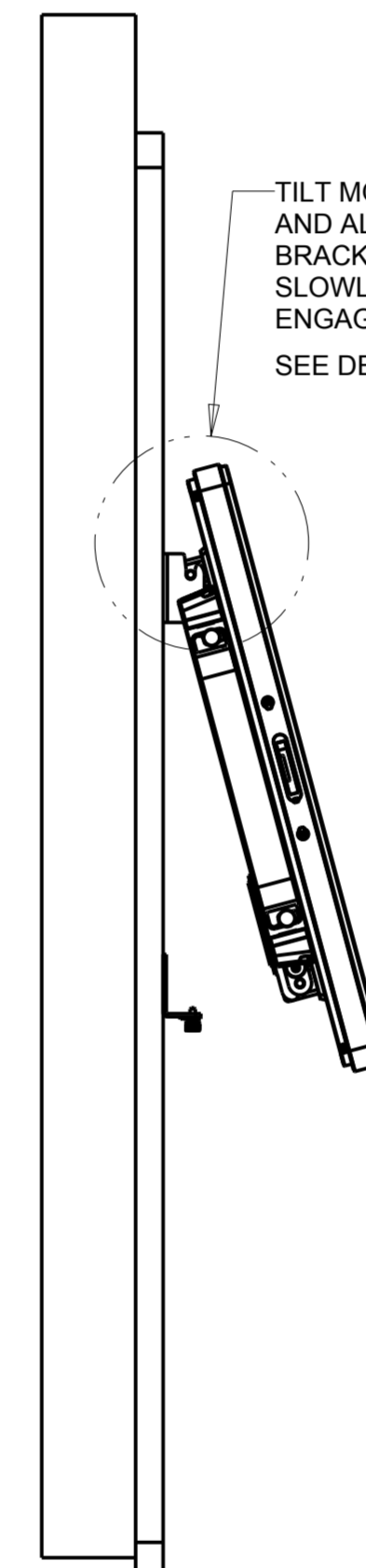
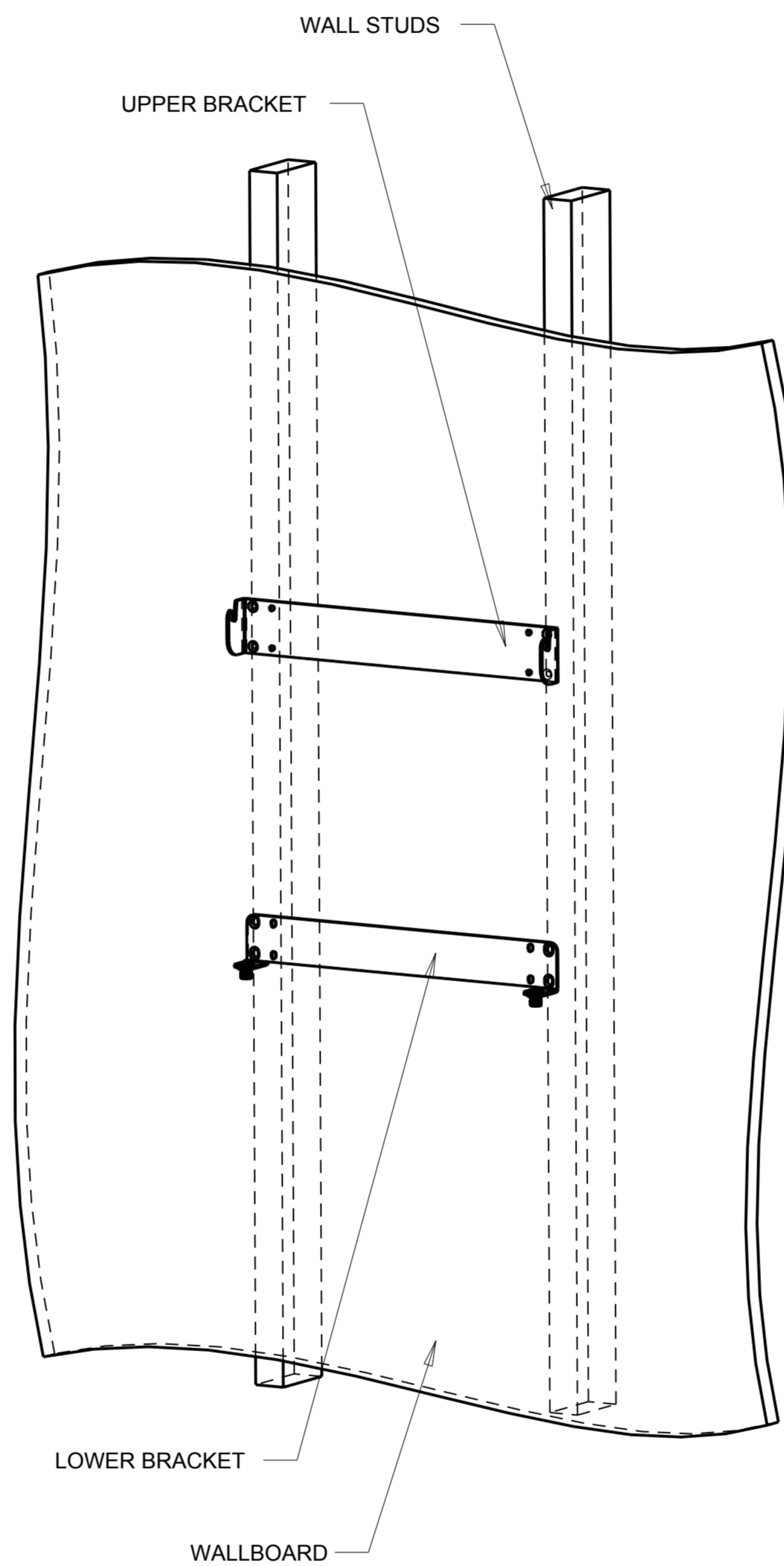
A	1/4" SCREW LOCATIONS FOR USE WITH FLAT-HEAD SCREWS
B	1/4" SCREW LOCATIONS FOR USE WITH STANDARD HEX BOLTS

SCALE 1:2

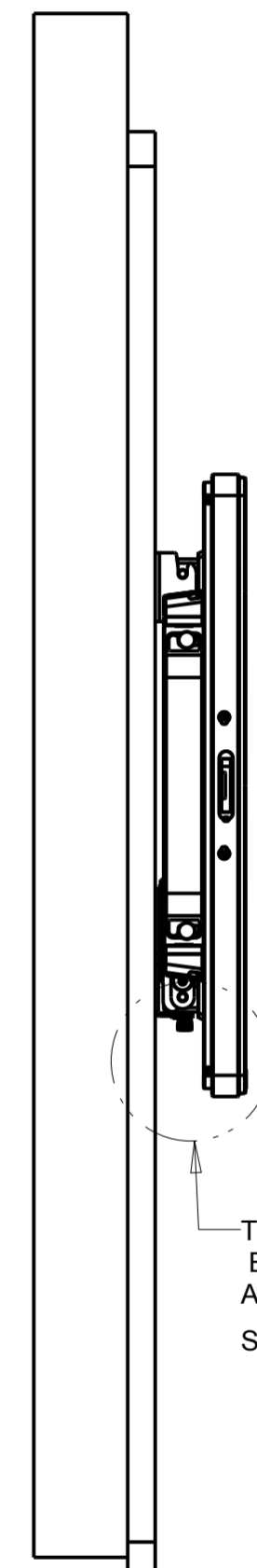
DIMENSIONS ARE IN MILLIMETERS [INCHES]

INSTALLATION INSTRUCTIONS

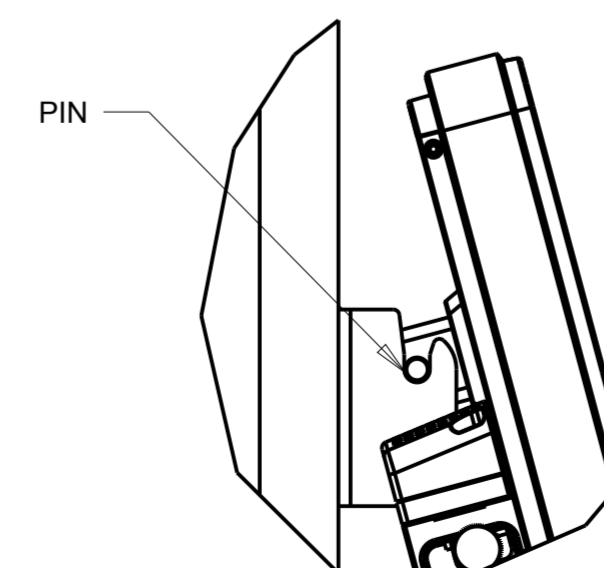
FOR WOOD OR STEEL STUDDED WALLS  
STUD SPACING = 16"



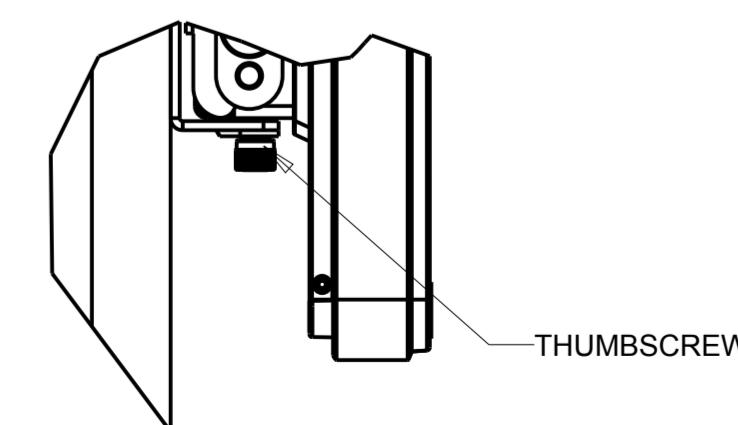
SCALE 3:20



SCALE 3:20



DETAIL D  
SCALE 2:5



DETAIL E  
SCALE 2:5

SAFETY WARNING:  
1. FOLLOW ALL APPLICABLE BUILDING CODE GUIDELINES.  
2. INSTALLER MUST SELECT APPROPRIATE SCREW TYPE BASED ON WALL CONSTRUCTION AND BUILDING CODE GUIDELINES.  
3. DO NOT USE FEWER THAN 4 SCREWS PER BRACKET AND DO NOT USE SCREWS LESS THAN 1/4" NOMINAL DIAMETER.  
3. ALL SCREWS MUST BE SECURED TO WALL STUDS OR OTHER STRUCTURAL COMPONENTS CAPABLE OF SAFELY SUPPORTING THE FULL WEIGHT OF THE TOUCHMONITOR AND ANY ADDITIONAL ITEMS ATTACHED TO IT. DO NOT FASTEN DIRECTLY TO GYPSUM WALLBOARD.

OPTIONAL WALL MOUNT KIT  
P/N E750497

