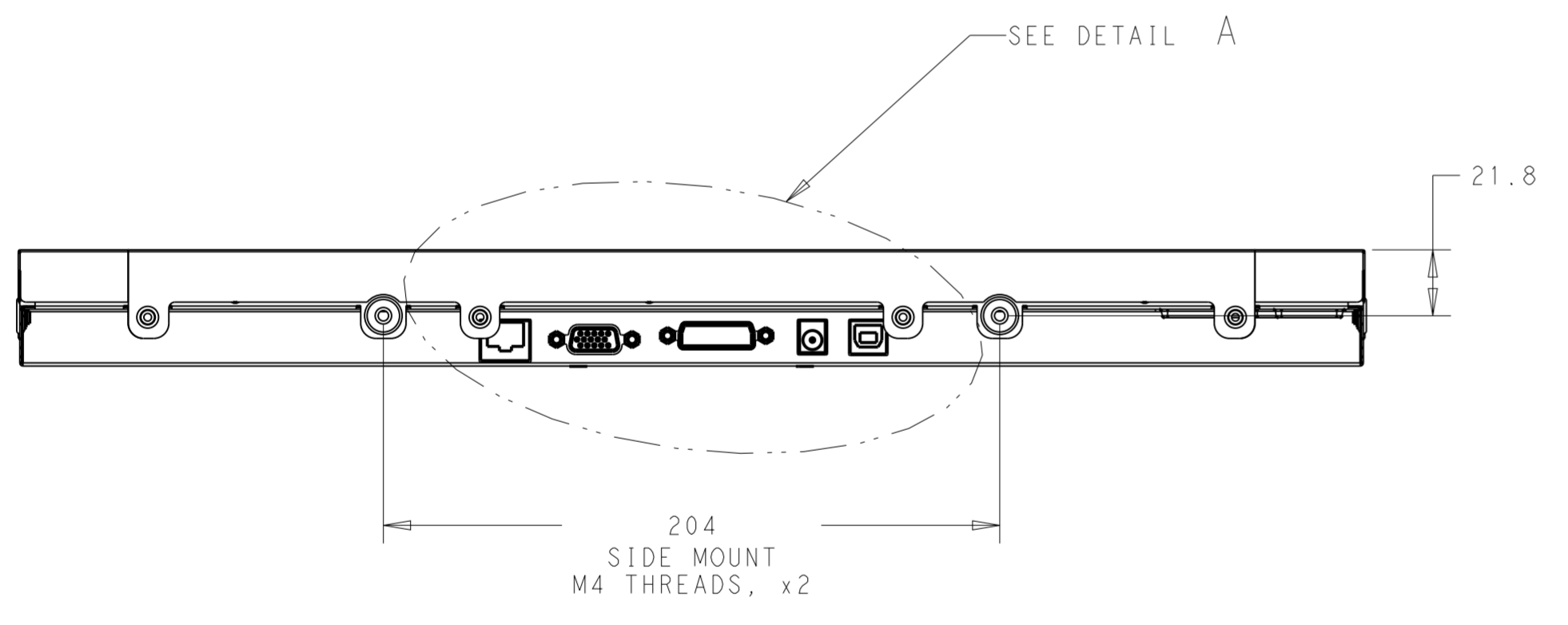
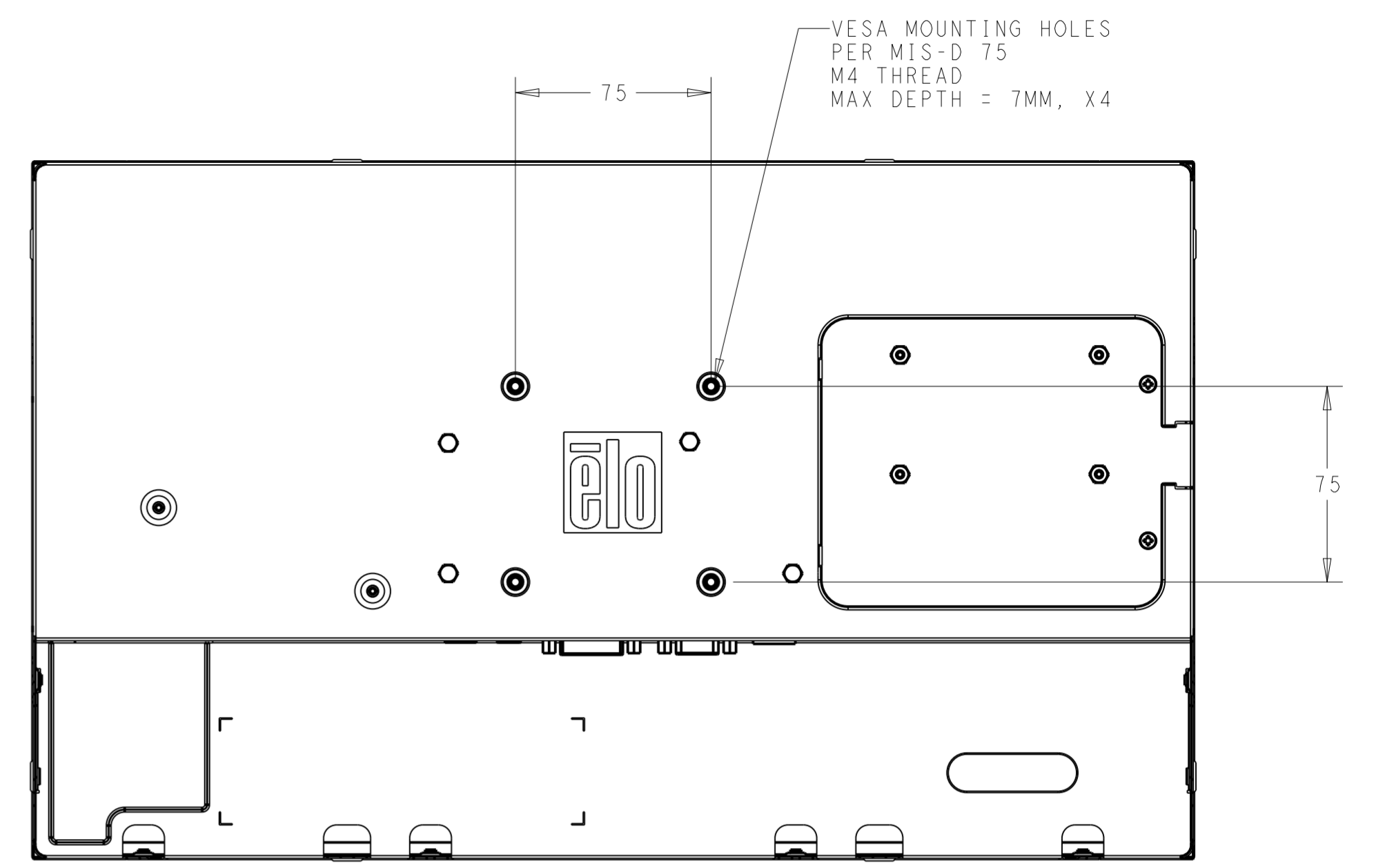
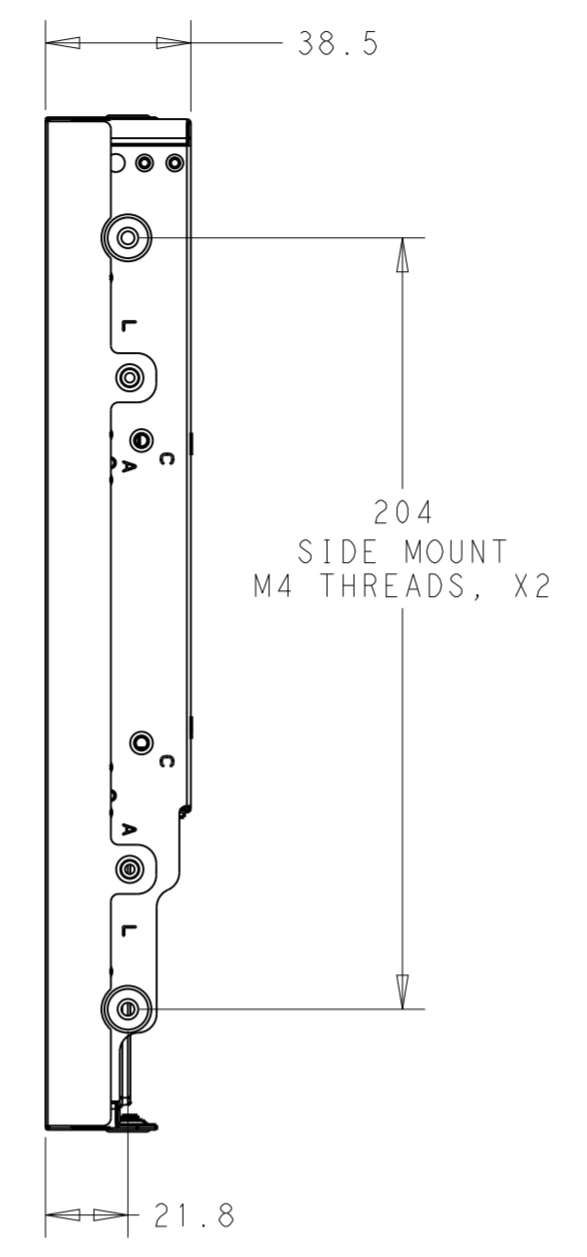
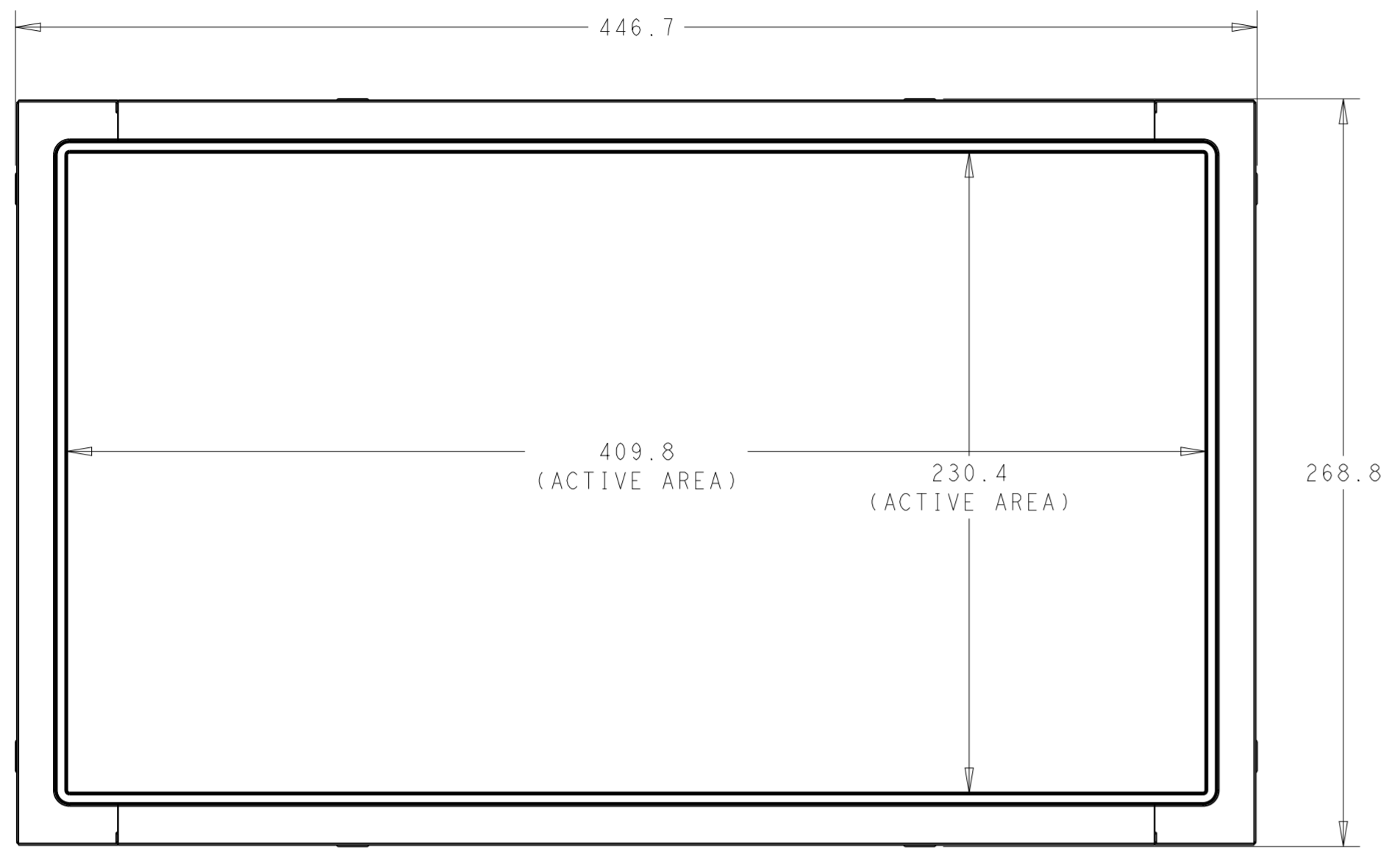
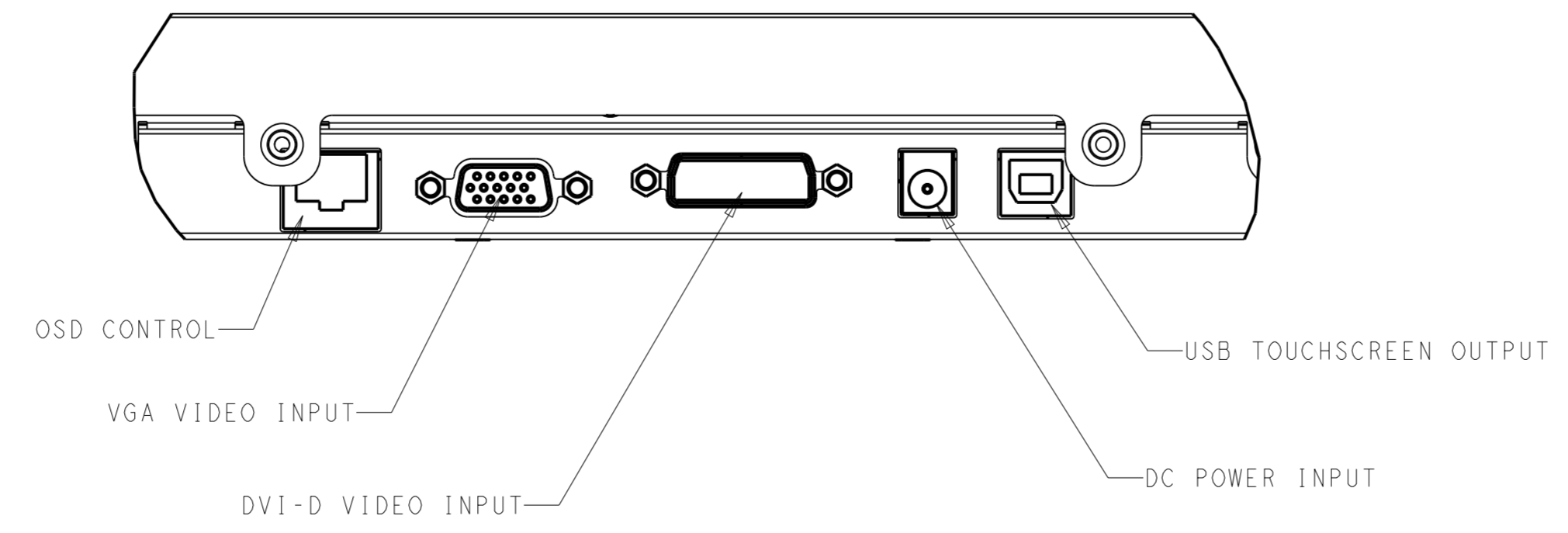


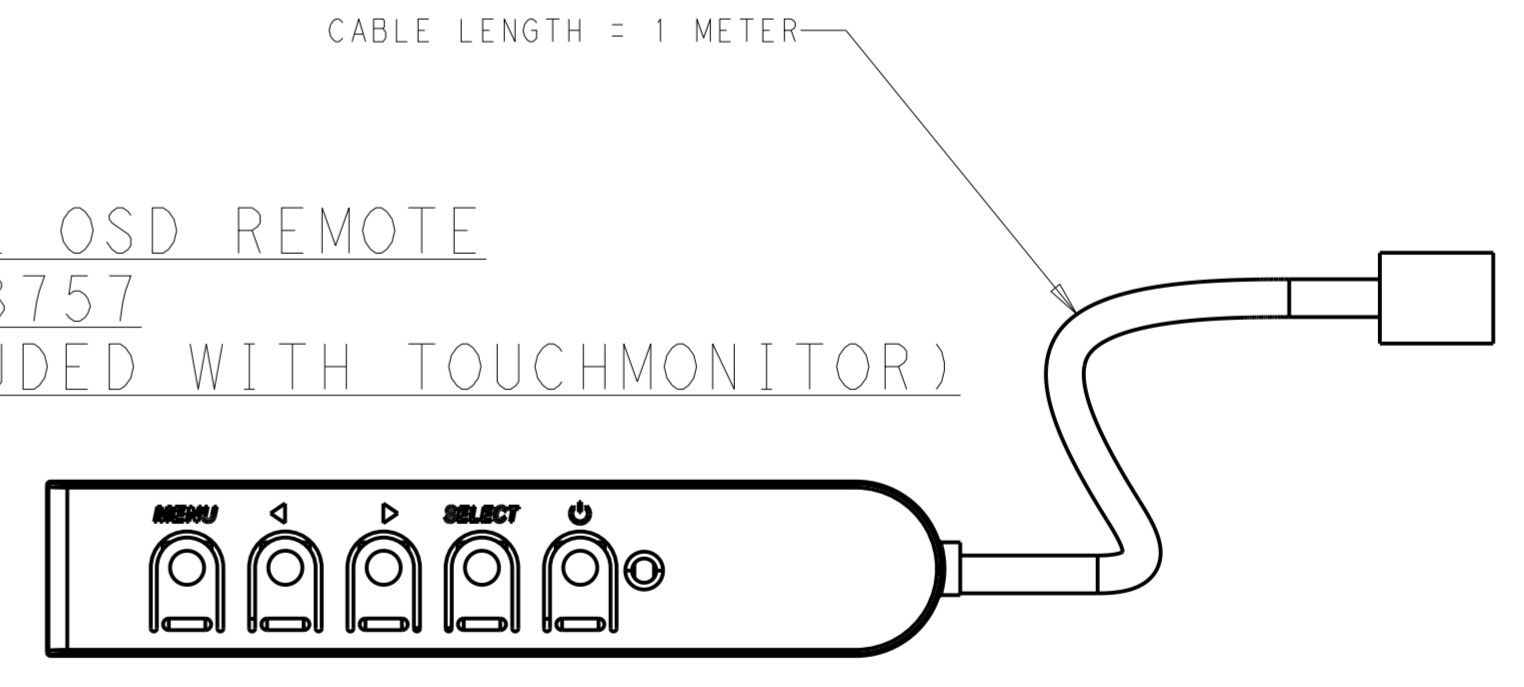
INTELLITOUCH PLUS



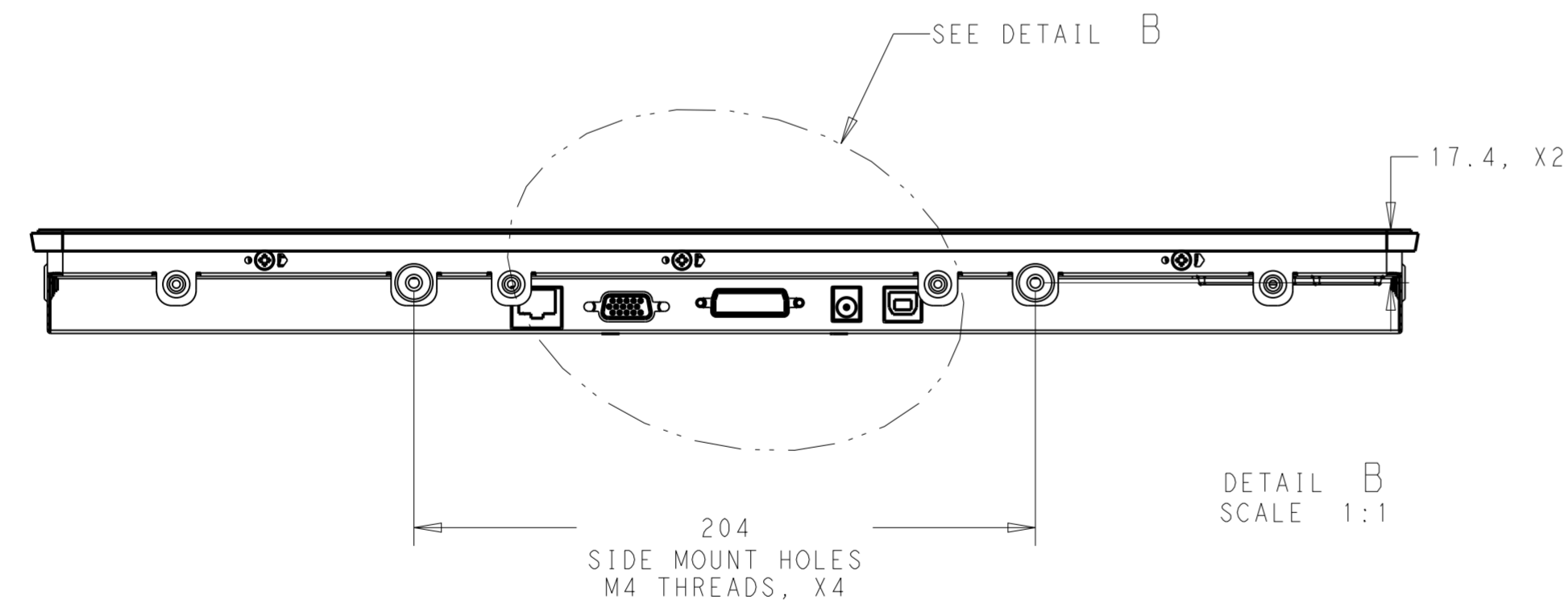
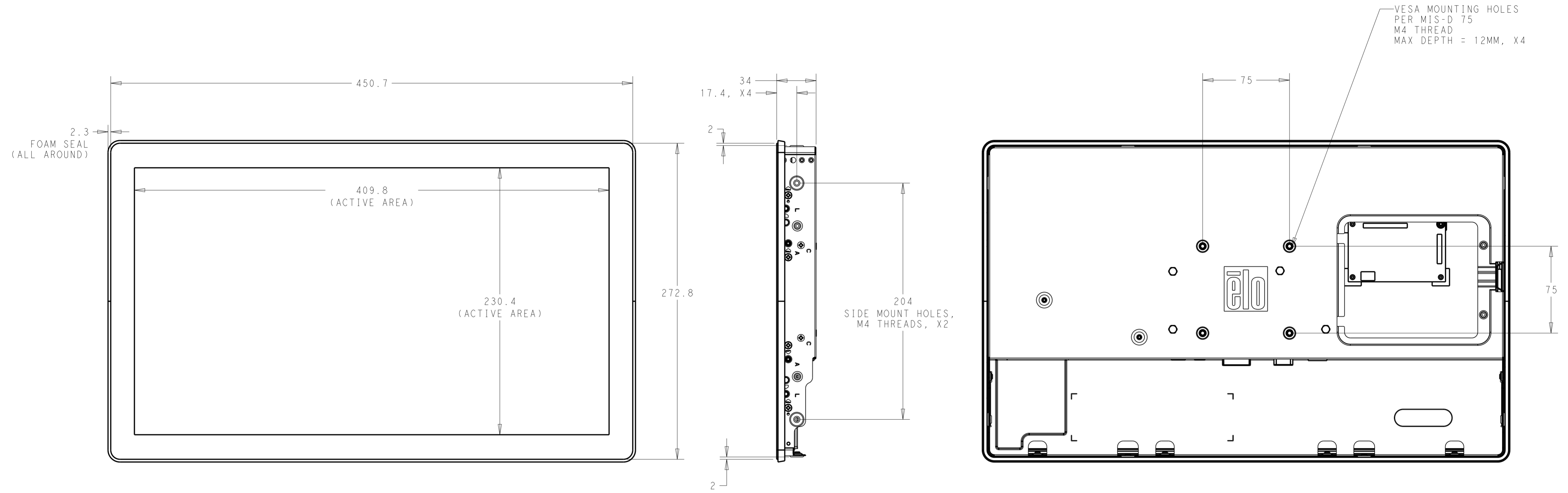
DETAIL A
SCALE 1:1



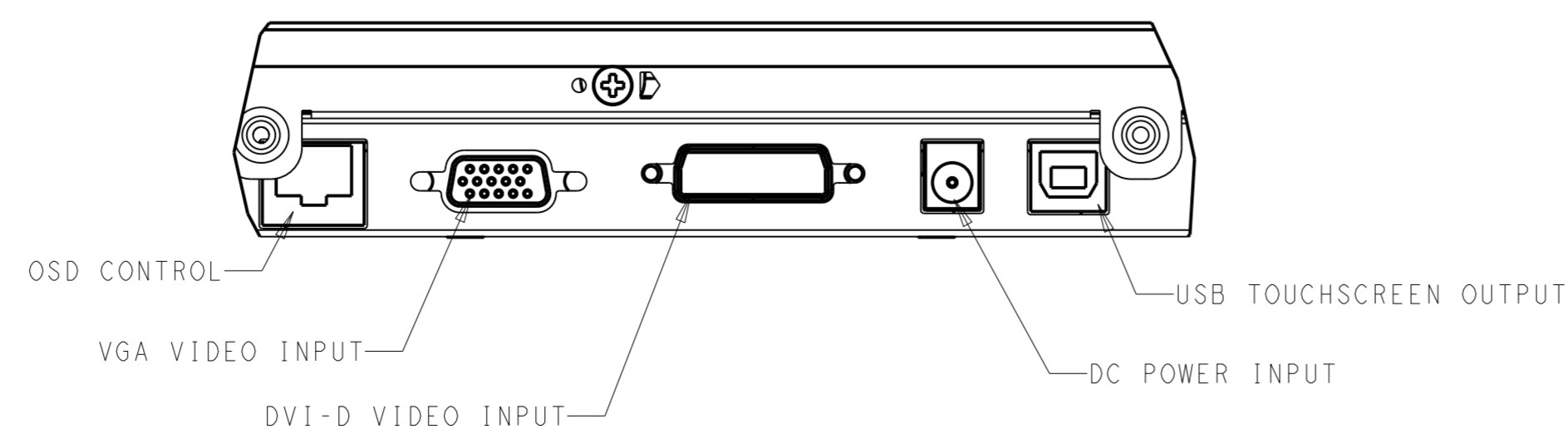
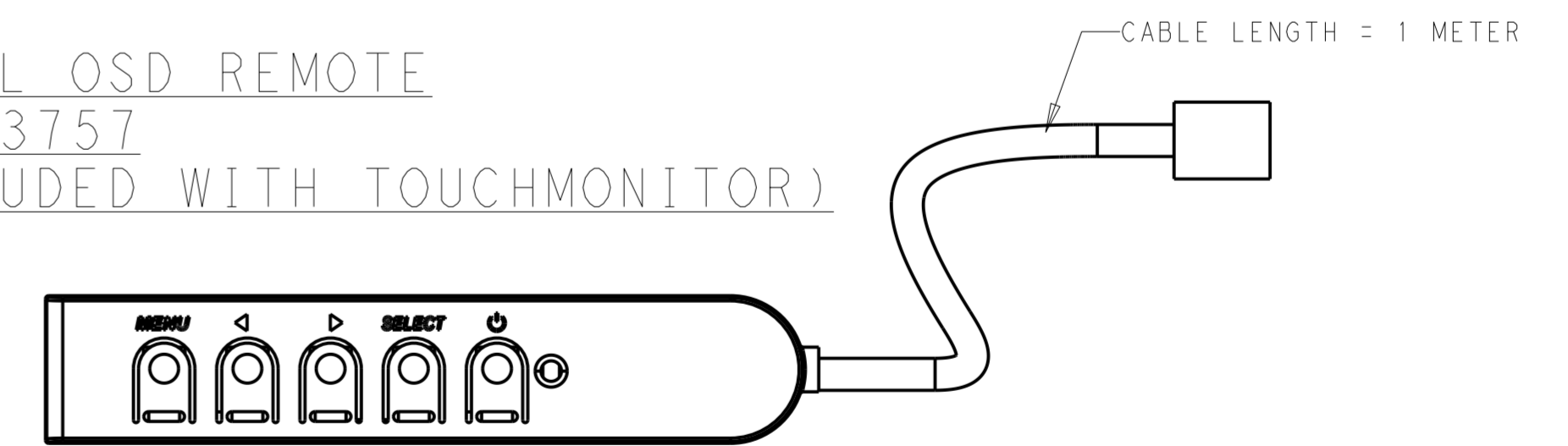
OPTIONAL OSD REMOTE
P/N E483757
(1 INCLUDED WITH TOUCHMONITOR)



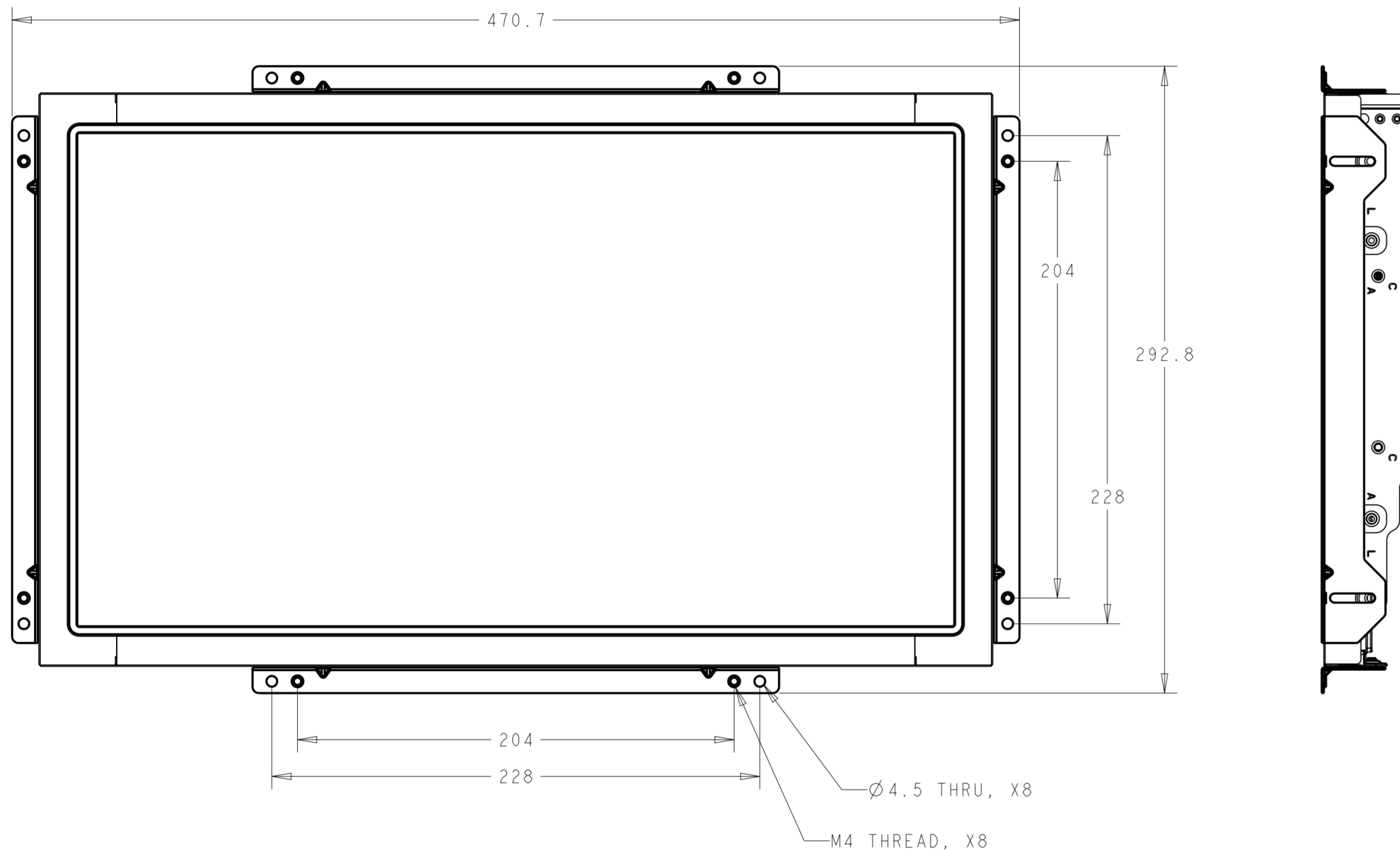
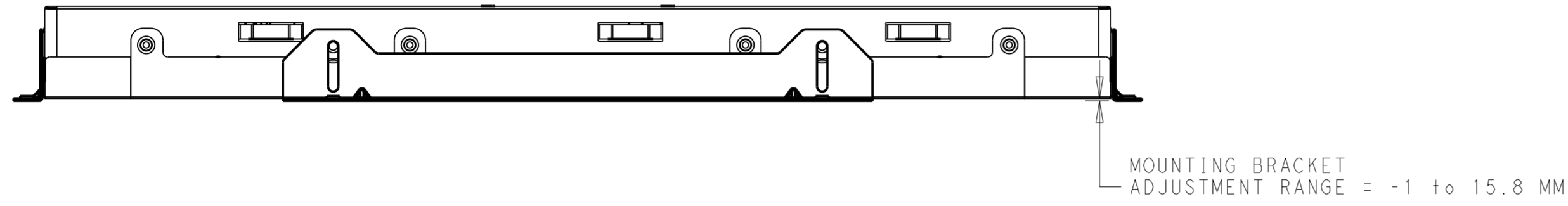
PROJECTED CAPACITIVE



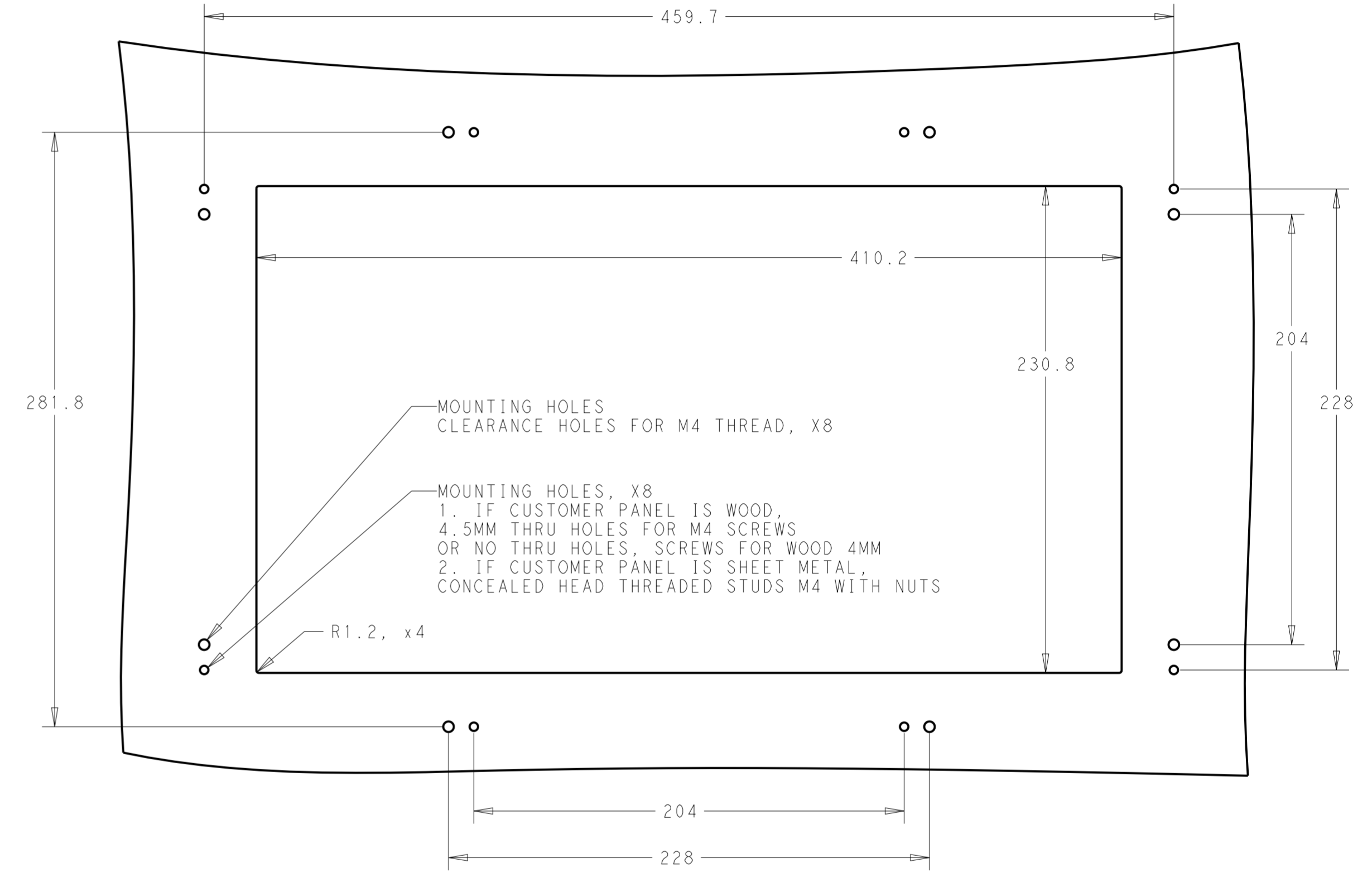
OPTIONAL OSD REMOTE
P/N E483757
(1 INCLUDED WITH TOUCHMONITOR)



INTELLITOUCH PLUS MONITOR
 MOUNTING WITH ADJUSTABLE BRACKETS (4 PROVIDED)
 ALSO AVAILABLE SEPARATELY (P/N E201156)

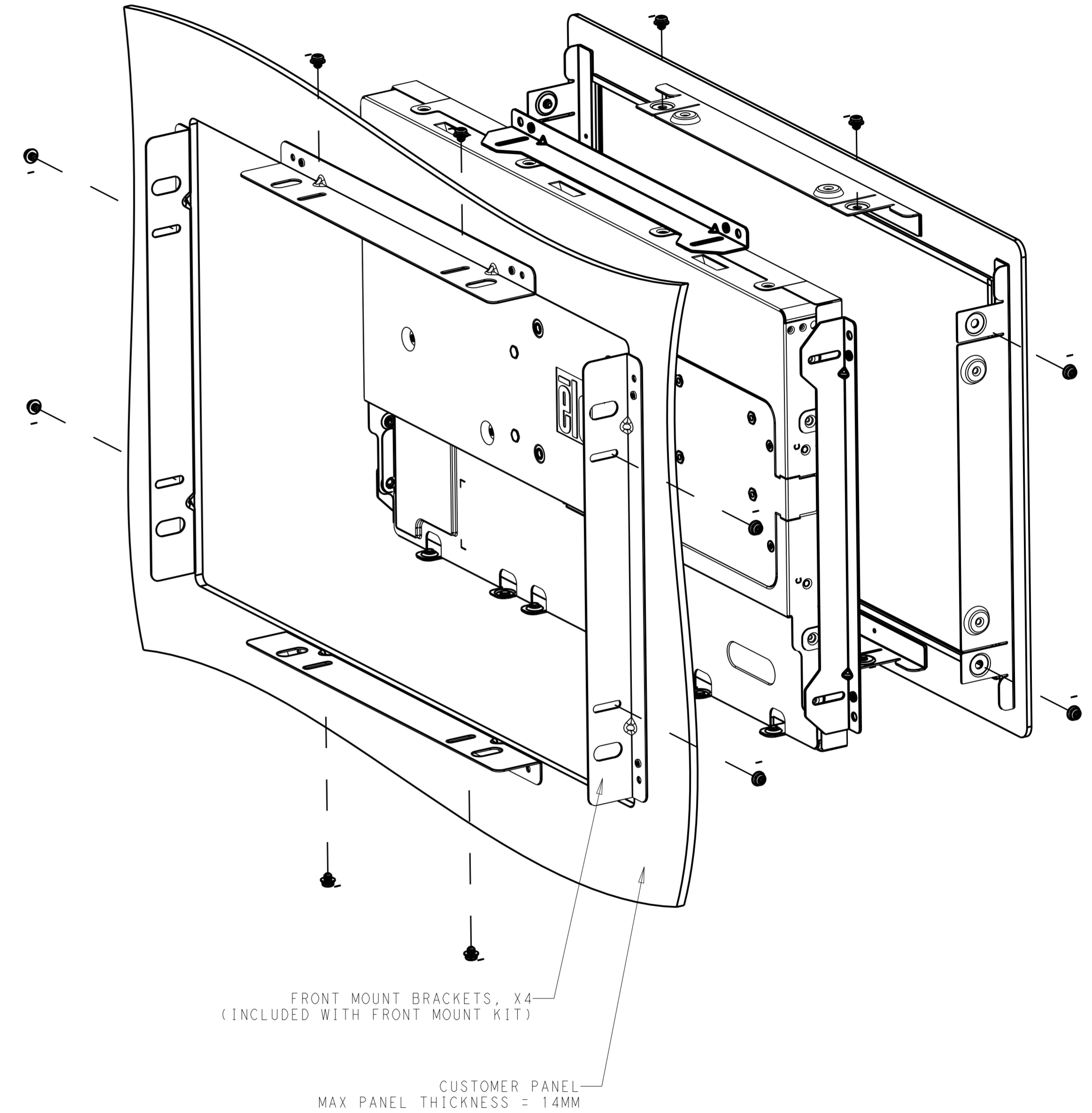
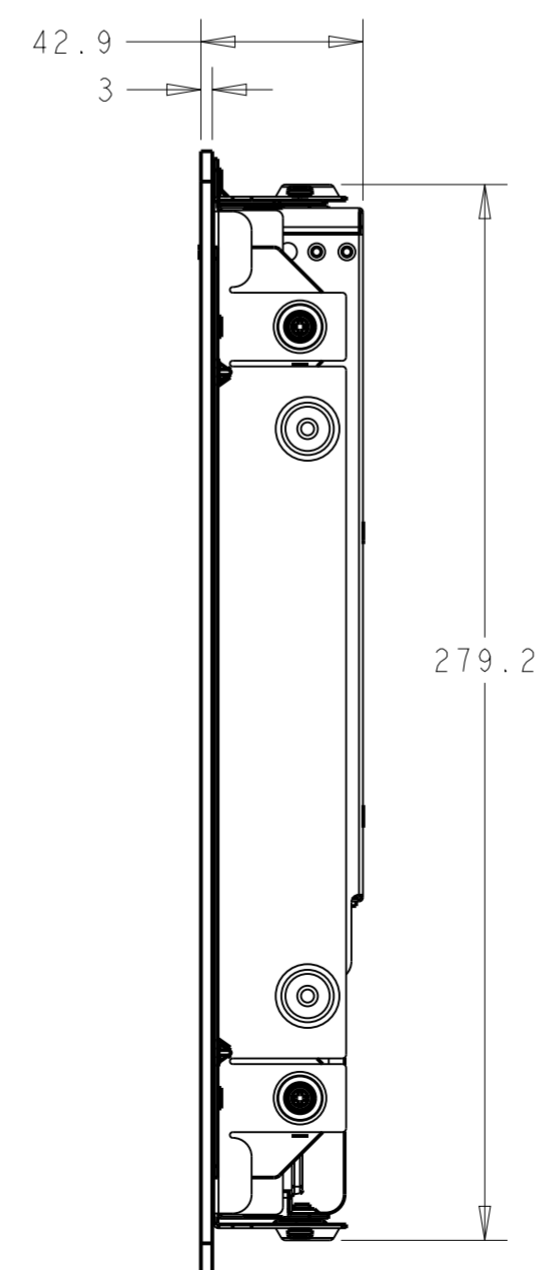
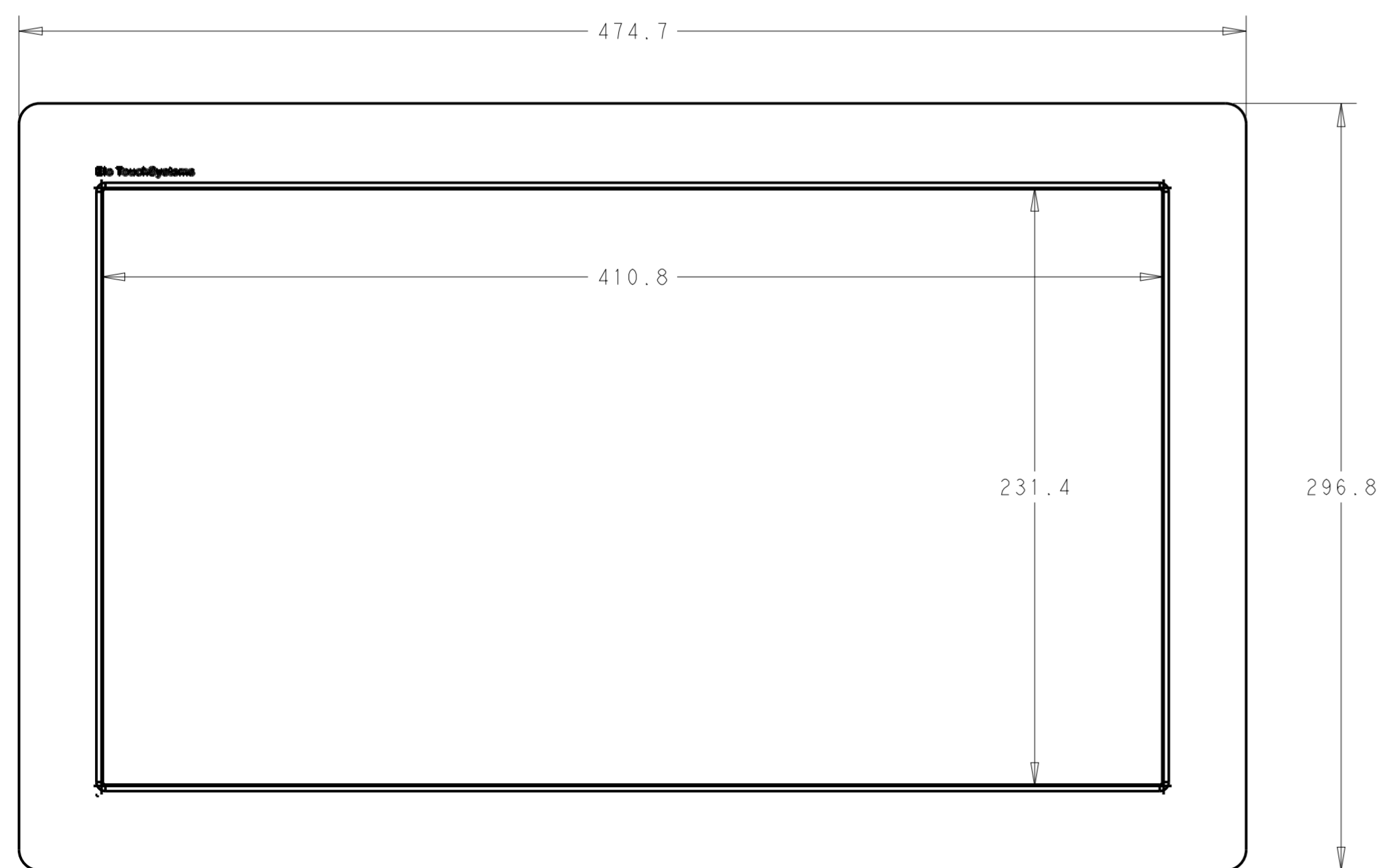
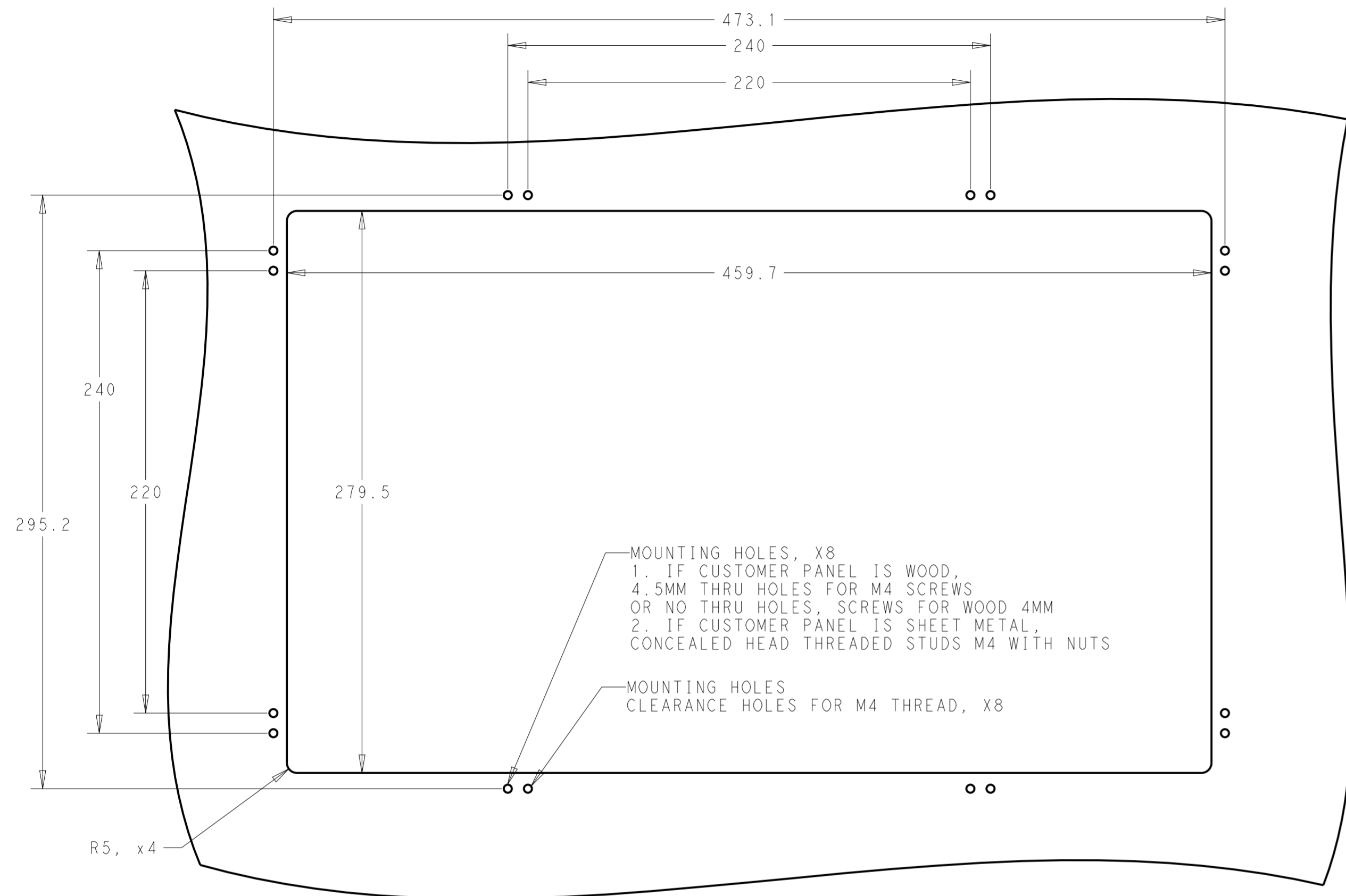


RECOMMENDED CUSTOMER PANEL CUTOUT

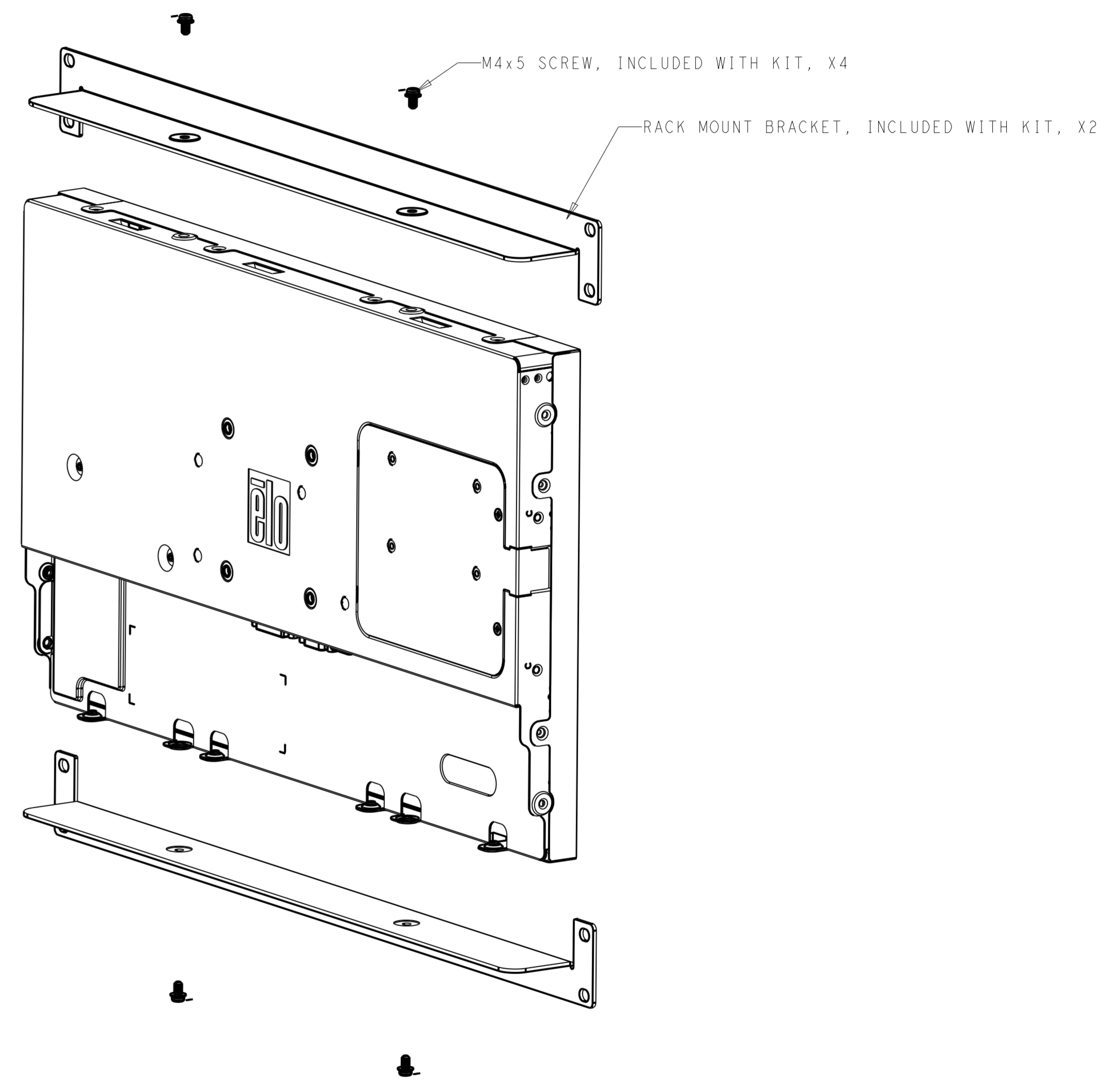
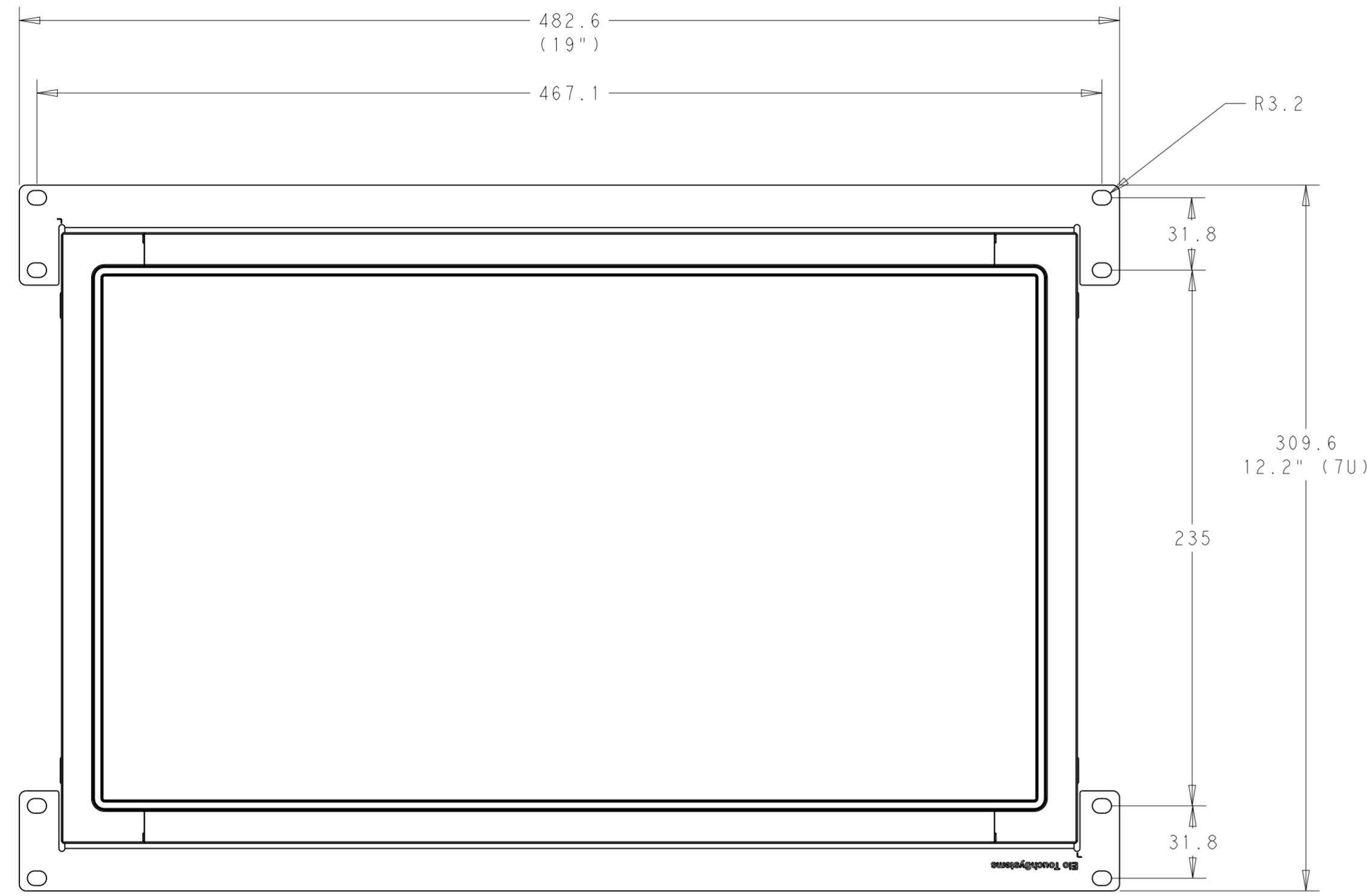


RECOMMENDED CUSTOMER PANEL CUTOUT

OPTIONAL INTELLITOUCH PLUS FRONT MOUNT BEZEL KIT, P/N E941898
 ORDERED SEPARATELY, CUSTOMER ASSEMBLED
 (NOT FOR PROJECTED CAPACITIVE TOUCHMONITORS)



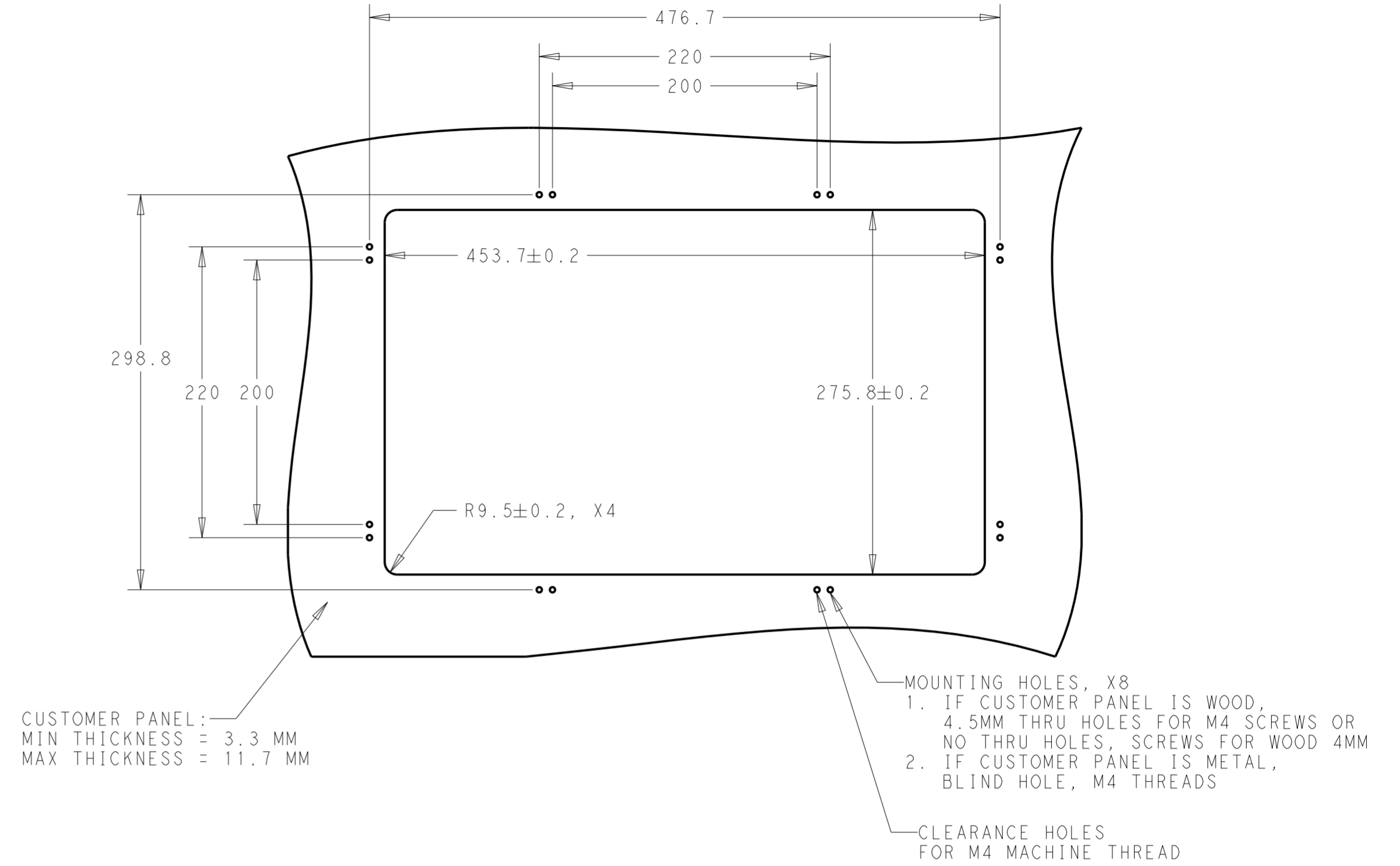
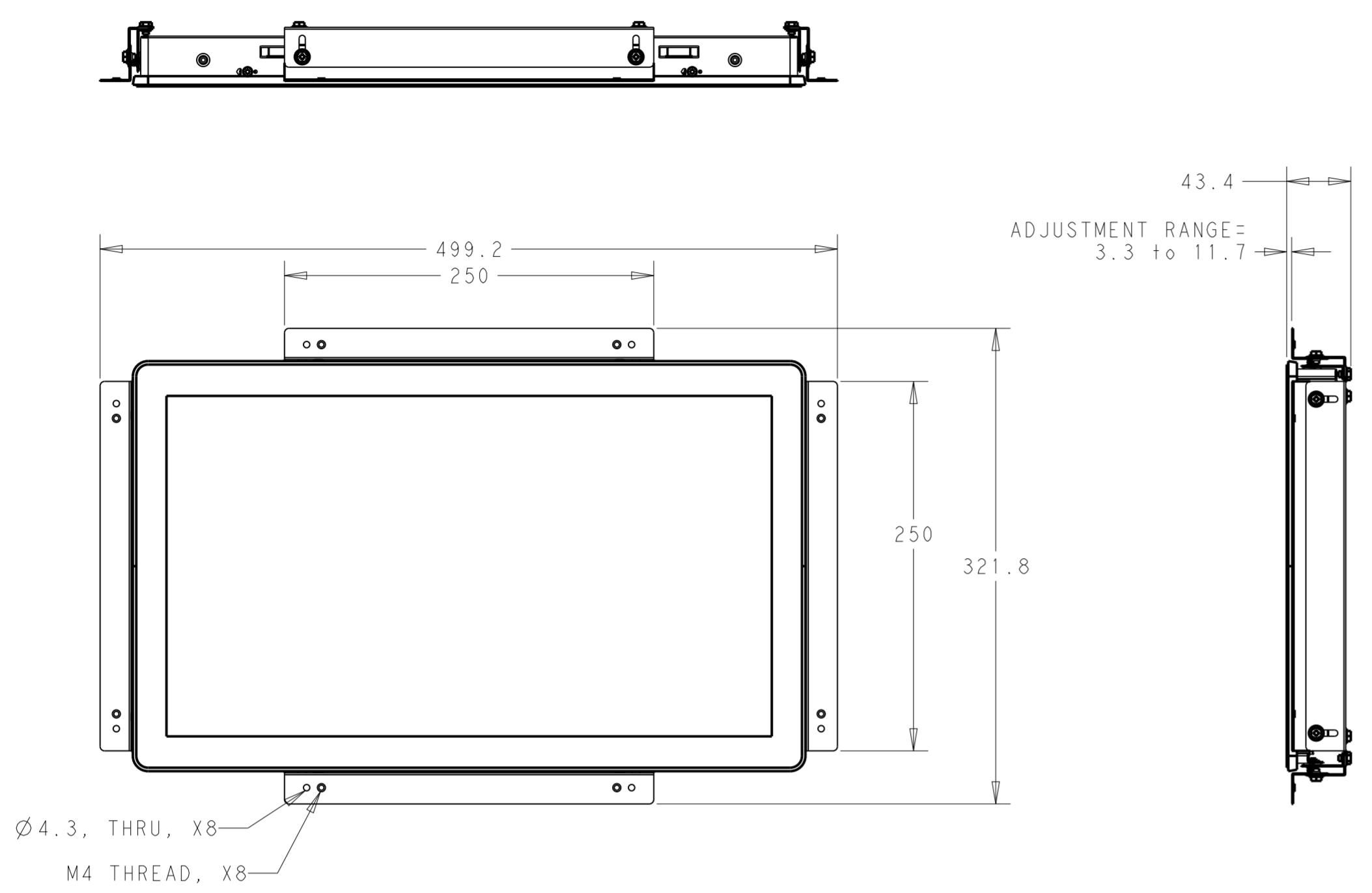
OPTIONAL INTELLITOUCH PLUS RACK MOUNT KIT, P/N E343109
ORDERED SEPARATELY, CUSTOMER ASSEMBLED
(NOT FOR PROJECTED CAPACITIVE TOUCHMONITORS)



- 1. MONITOR IS ORIENTED IN LANDSCAPE MODE
- 2. REQUIRES 7U AVAILABLE RACK SPACE
- 3. MOUNTING HOLE SPACING PER EIA-310-D
- 4. ADDITIONAL MOUNTING SCREWS (NOT INCLUDED) REQUIRED TO FASTEN MONITOR INTO RACK

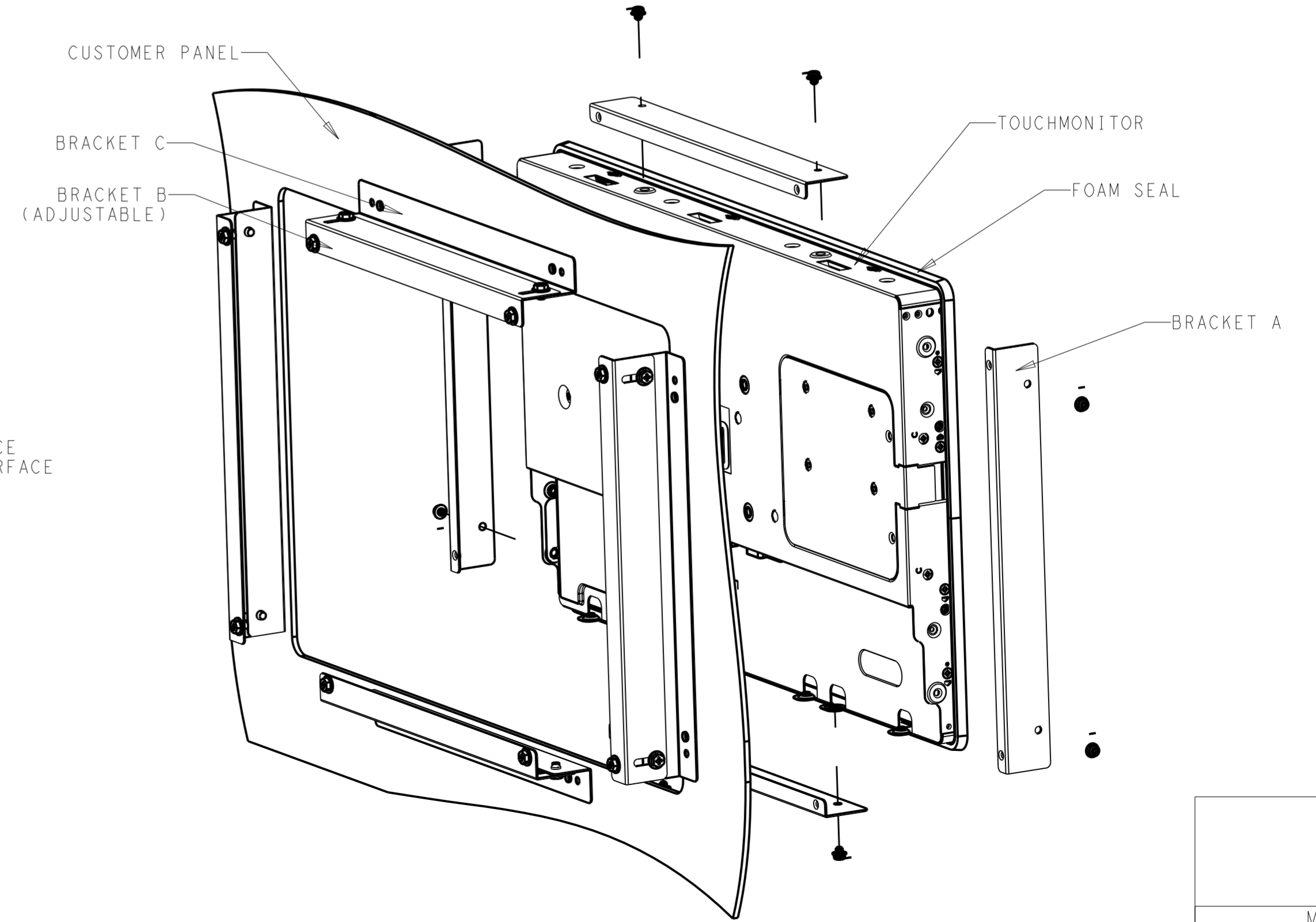
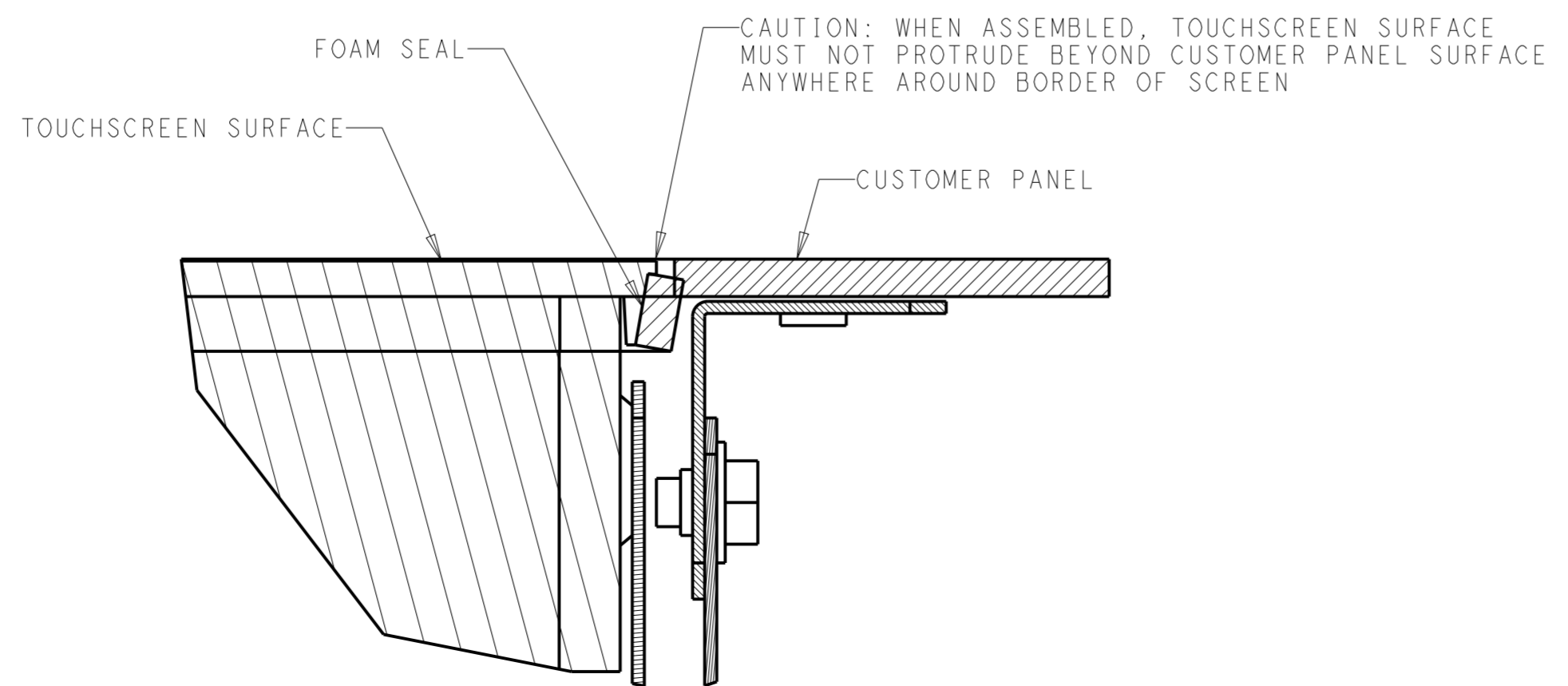
OPTIONAL PROJECTED CAPACITIVE FLUSHMOUNT KIT, P/N E925445
 ORDERED SEPARATELY, CUSTOMER ASSEMBLED
 (NOT FOR INTELLITOUCH PLUS TOUCHMONITORS)

RECOMMENDED CUSTOMER PANEL CUTOUT



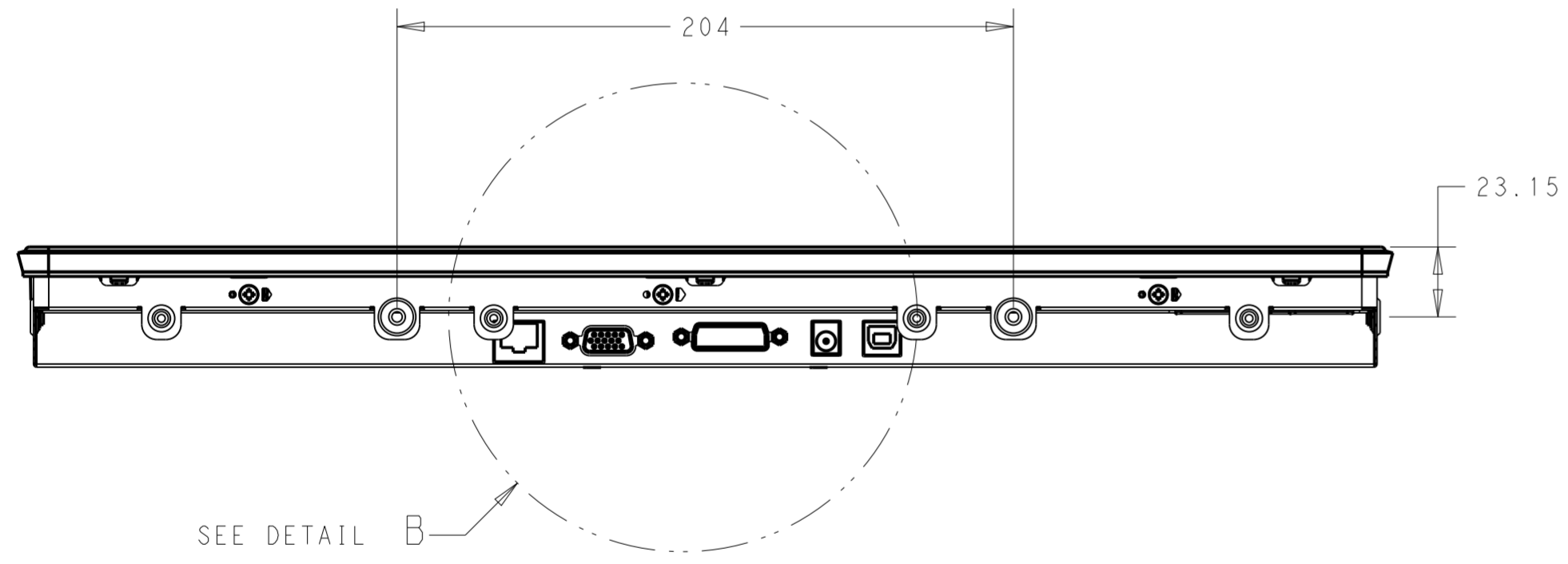
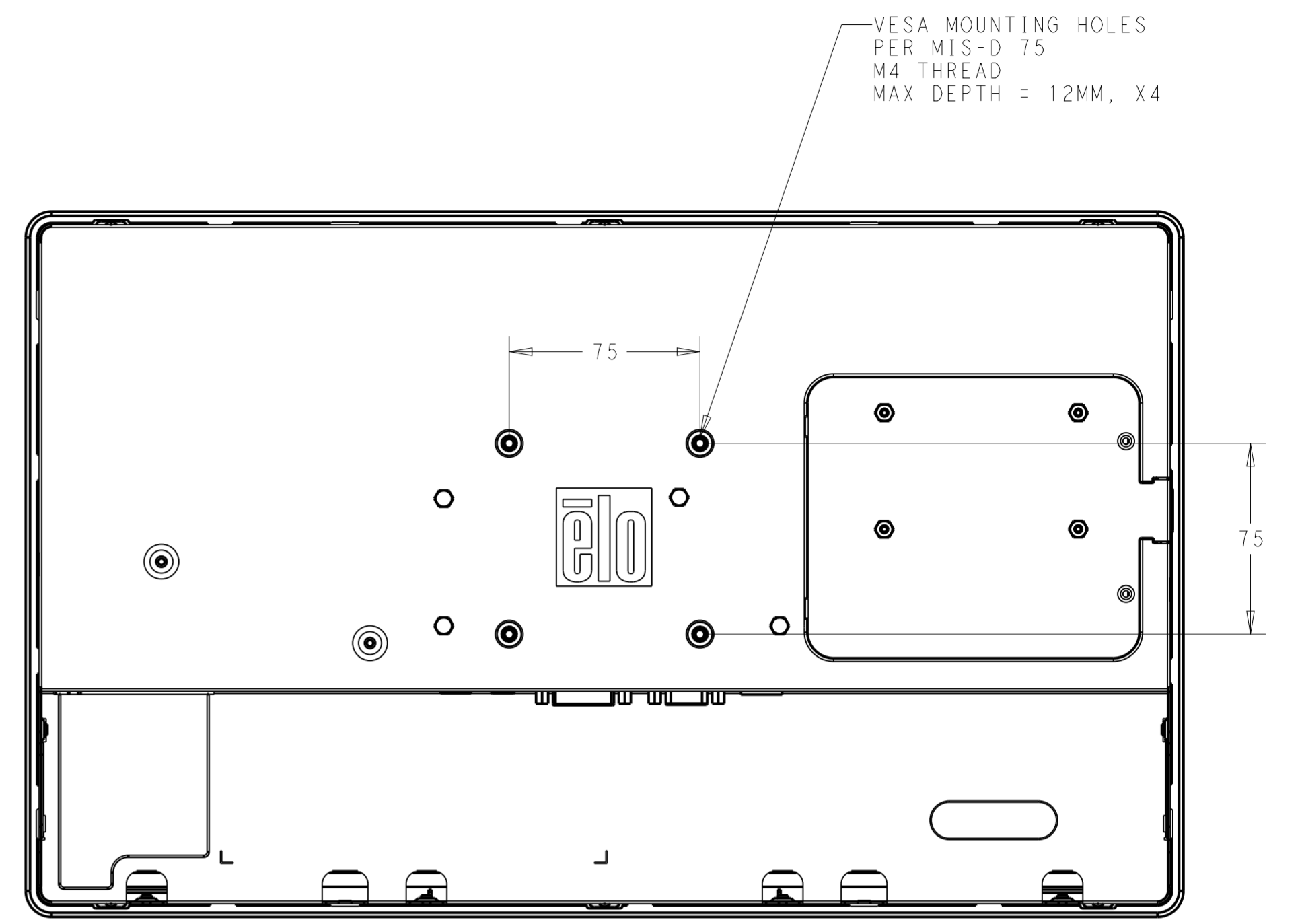
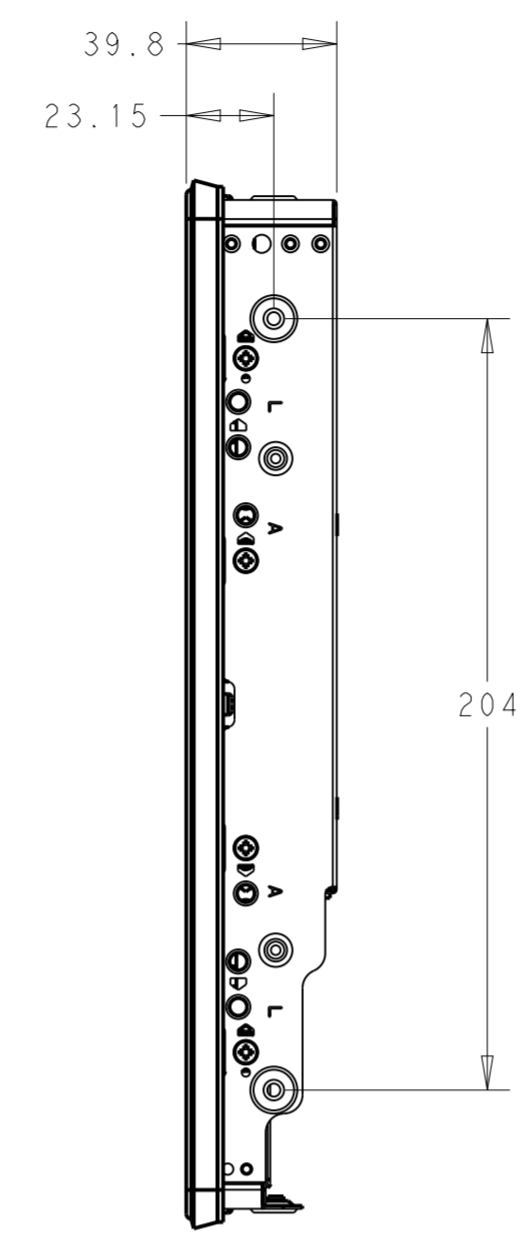
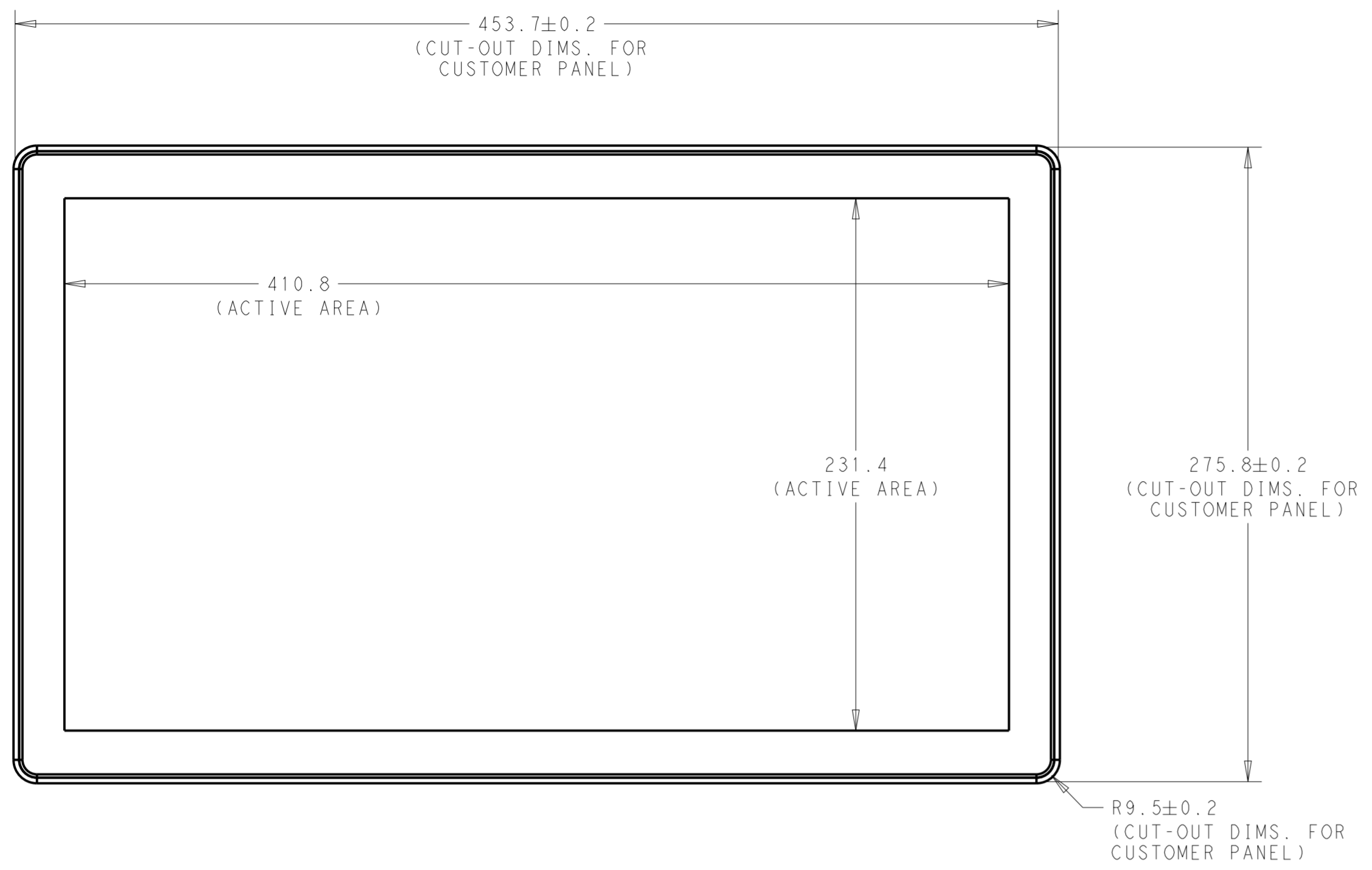
INSTALLATION NOTES:

1. ATTACH BRACKET "A" TO TOUCHMONITOR WITH M4 LOW PROFILE SCREWS (INCLUDED)
2. ATTACH BRACKET "C" TO CUSTOMER PANEL PER DRAWING
3. ATTACH BRACKET "B" TO BRACKET "C" WITH M4 HEX HEAD SCREWS (INCLUDED)
4. ADJUST DEPTH OF BRACKET "B" SO MONITOR IS FLUSH WITH CUSTOMER PANEL.
5. PLACE TOUCHMONITOR INTO CUSTOMER PANEL OPENING TAKING CARE NOT TO DAMAGE FOAM SEAL
6. SECURE TOUCHMONITOR TO BRACKET "B" FROM BEHIND WITH M4 HEX HEAD SCREWS (INCLUDED)

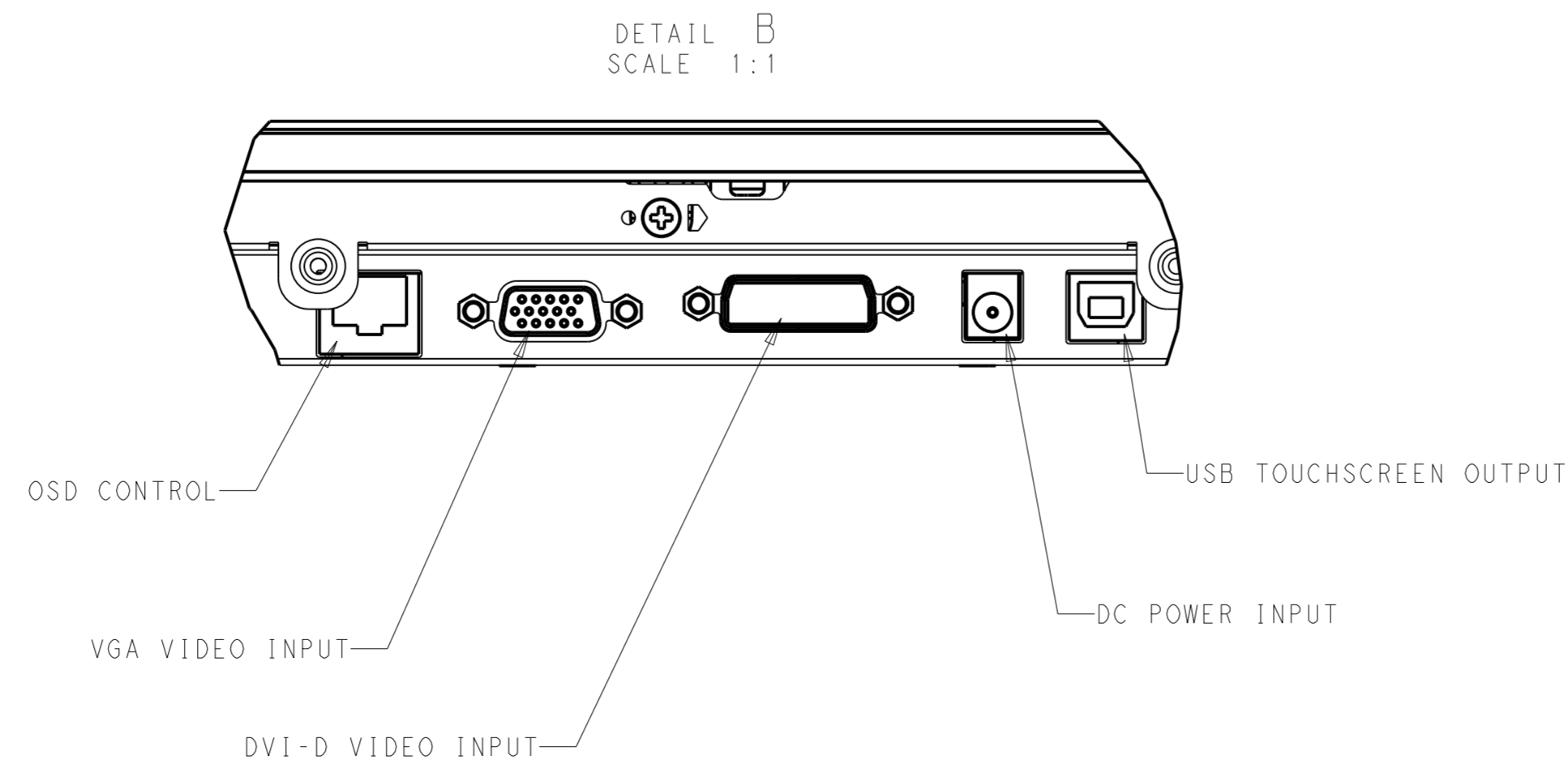
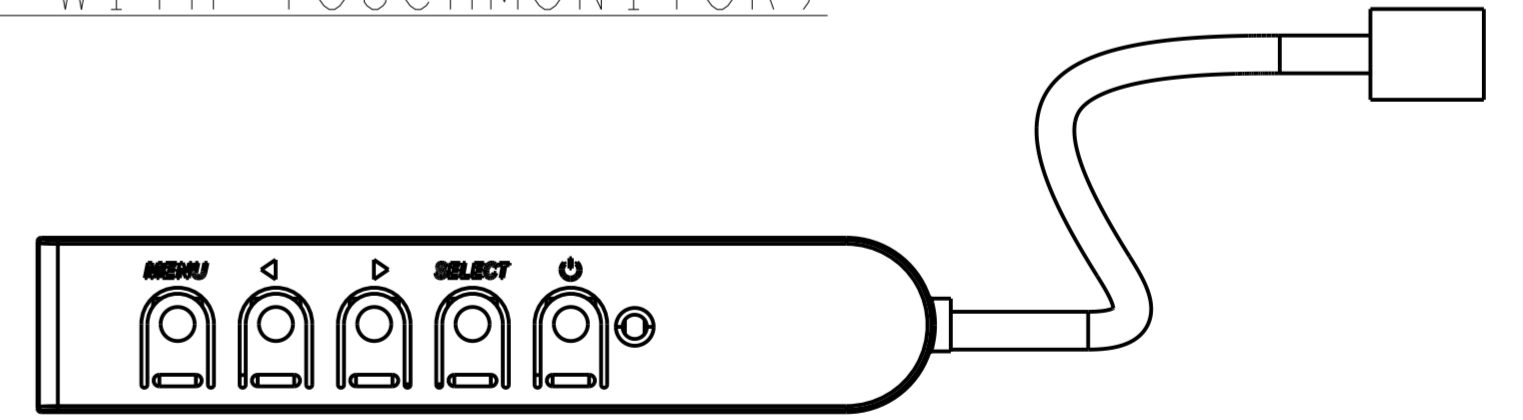


TITLE: Dimensional Drawing, 1940L

1940 iTouch Open-Frame ZB



OPTIONAL OSD REMOTE
P/N E483757
(I INCLUDED WITH TOUCHMONITOR)



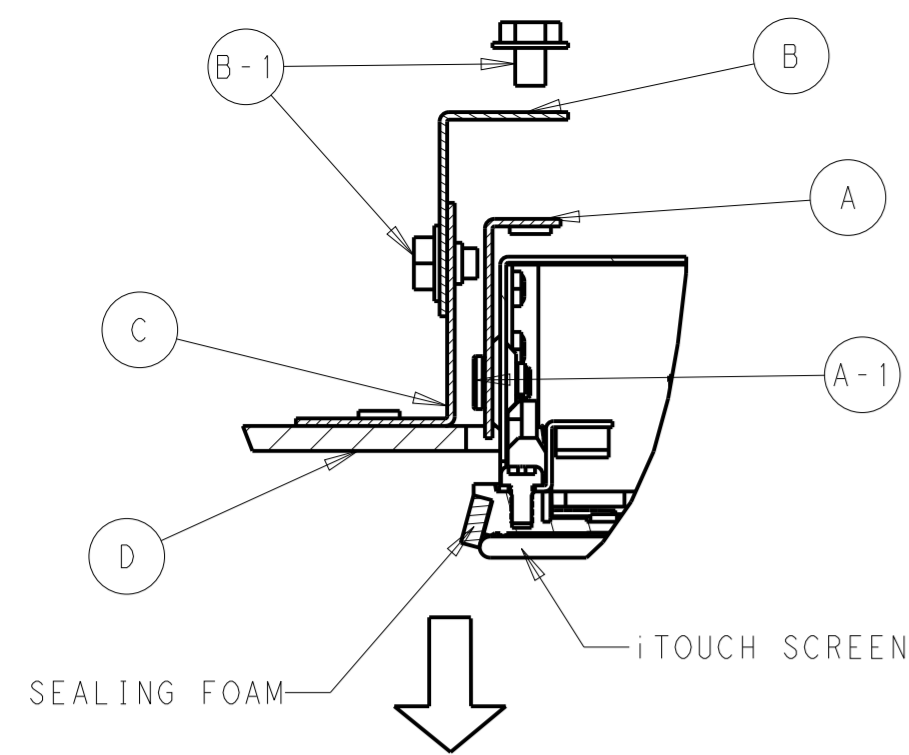
DIMENSIONS ARE IN MILLIMETERS

SHEET 7 OF 8

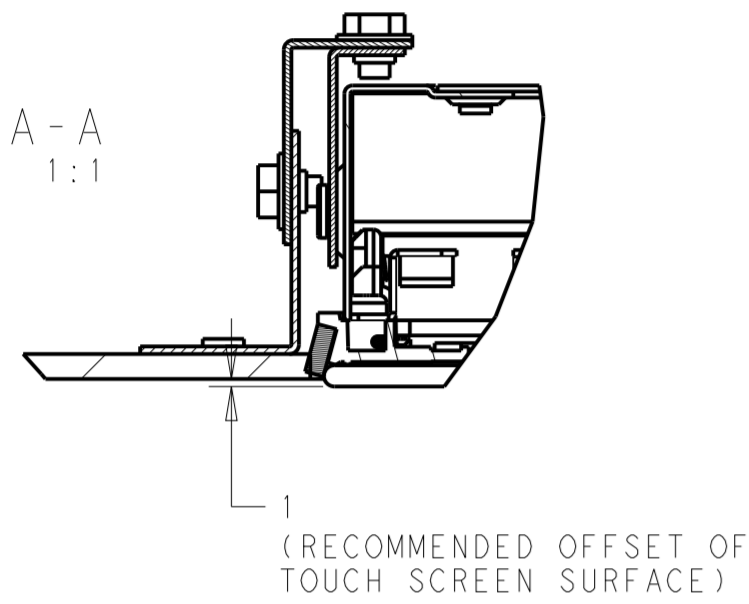
elo

MS601158
DATE: 05/24/13
REV: D

OPTIONAL iTOUCH FLUSHMOUNT KIT, P/N E012094
 ORDERED SEPARATELY, CUSTOMER ASSEMBLED

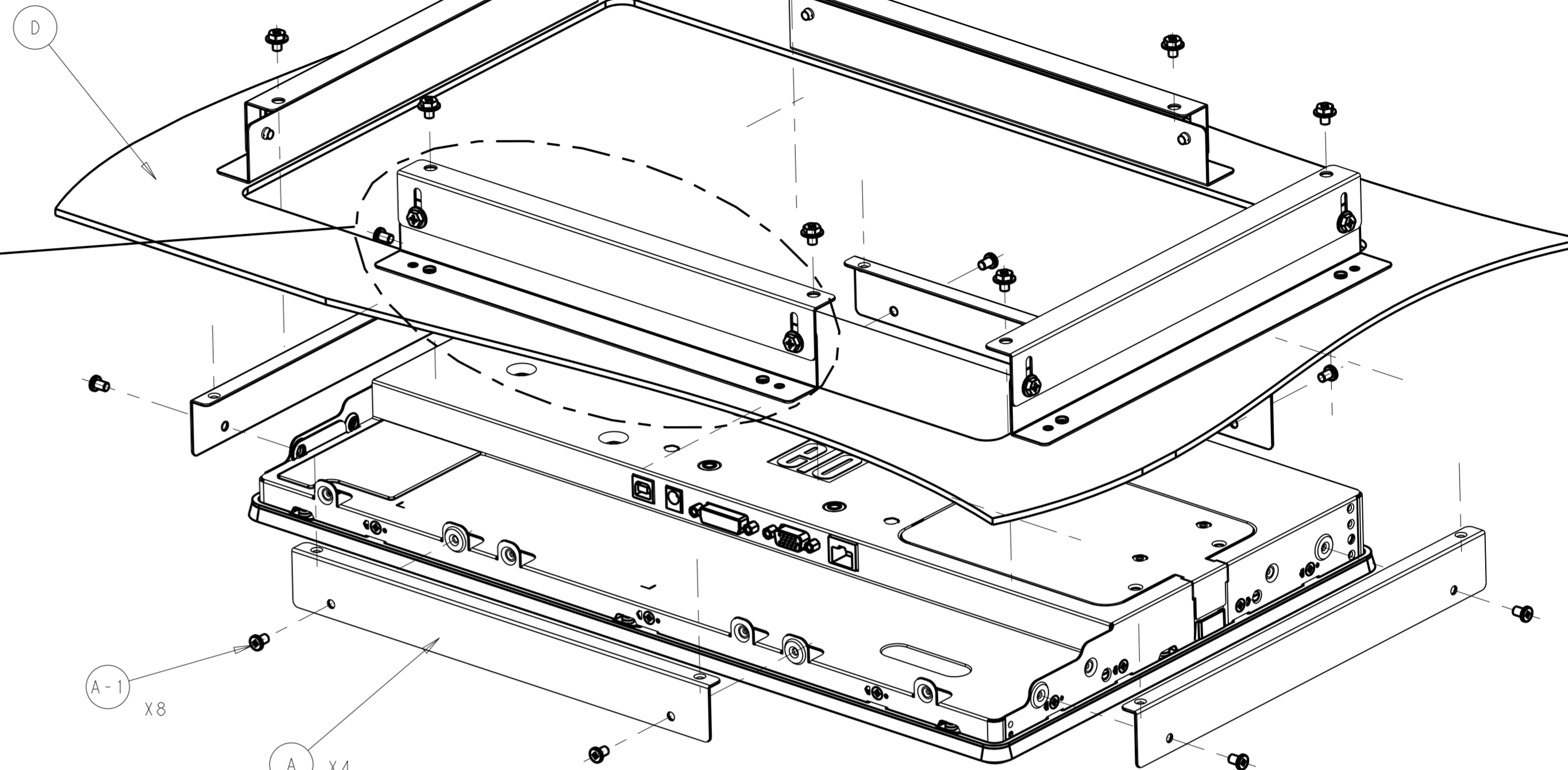
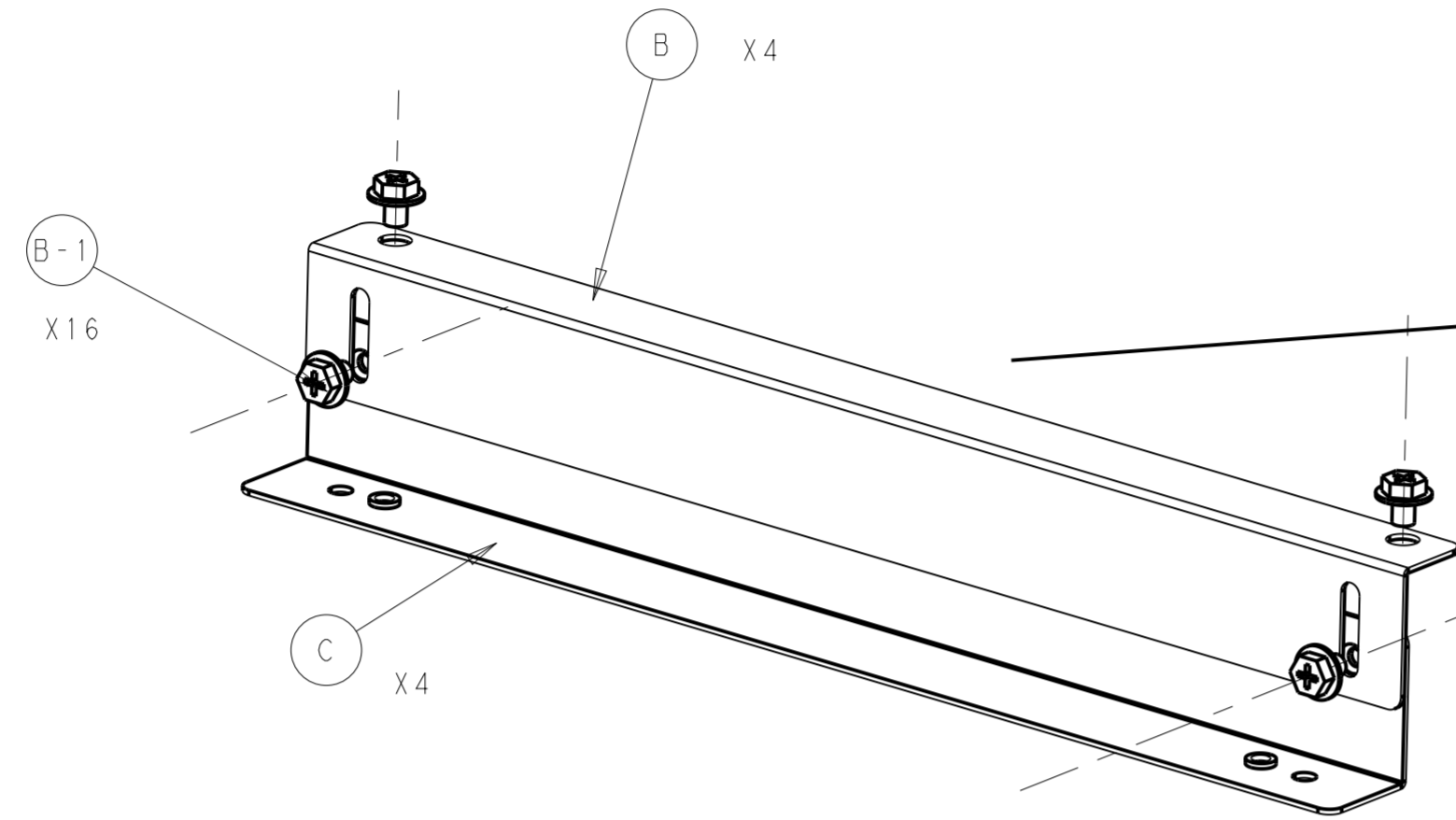


SECTION A-A
 SCALE 1:1



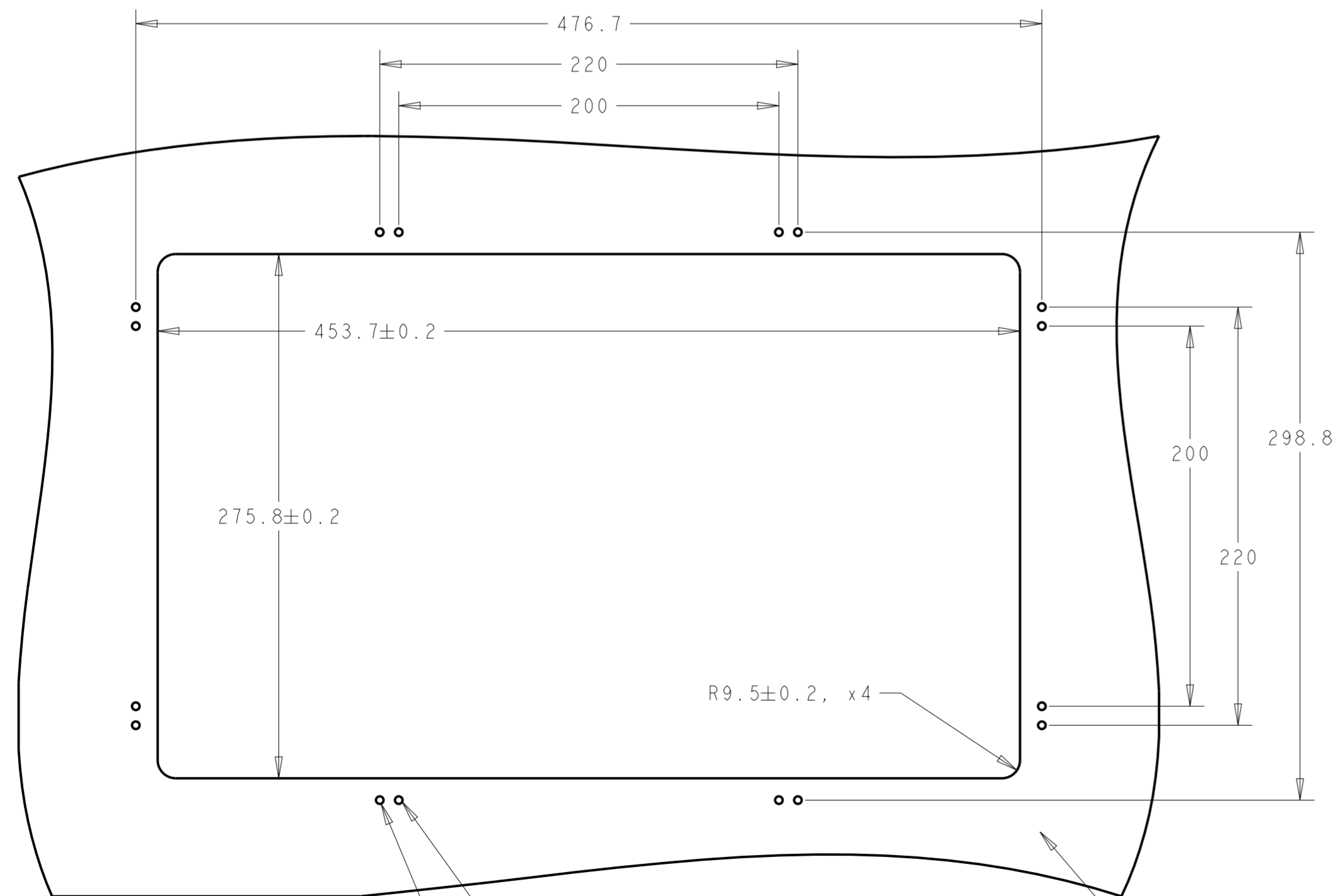
FLUSH MOUNT INSTALLATION NOTES:

1. ATTACH BRACKET "A" TO TOUCHMONITOR WITH M4 LOW PROFILE SCREWS (A-1) (INCLUDED)
2. ATTACH BRACKET "C" TO CUSTOMER PANEL "D" PER DRAWING
3. ATTACH BRACKET "B" TO BRACKET "C" WITH M4 HEX HEAD SCREWS "B-1" (INCLUDED)
4. ADJUST DEPTH OF BRACKETS "B" SO MONITOR IS SLIGHTLY PROUD OF CUSTOMER PANEL ABOUT 1MM
5. PLACE TOUCH MONITOR INTO CUSTOMER PANEL "D" OPENING, TAKING CARE NOT TO DAMAGE FOAM SEAL
6. SECURE TOUCH MONITOR TO BRACKET "B" FROM BEHIND WITH M4 HEX HEAD SCREWS "B-1" (INCLUDED)



SCALE 1:2

RECOMMENDED CUSTOMER PANEL CUTOUT



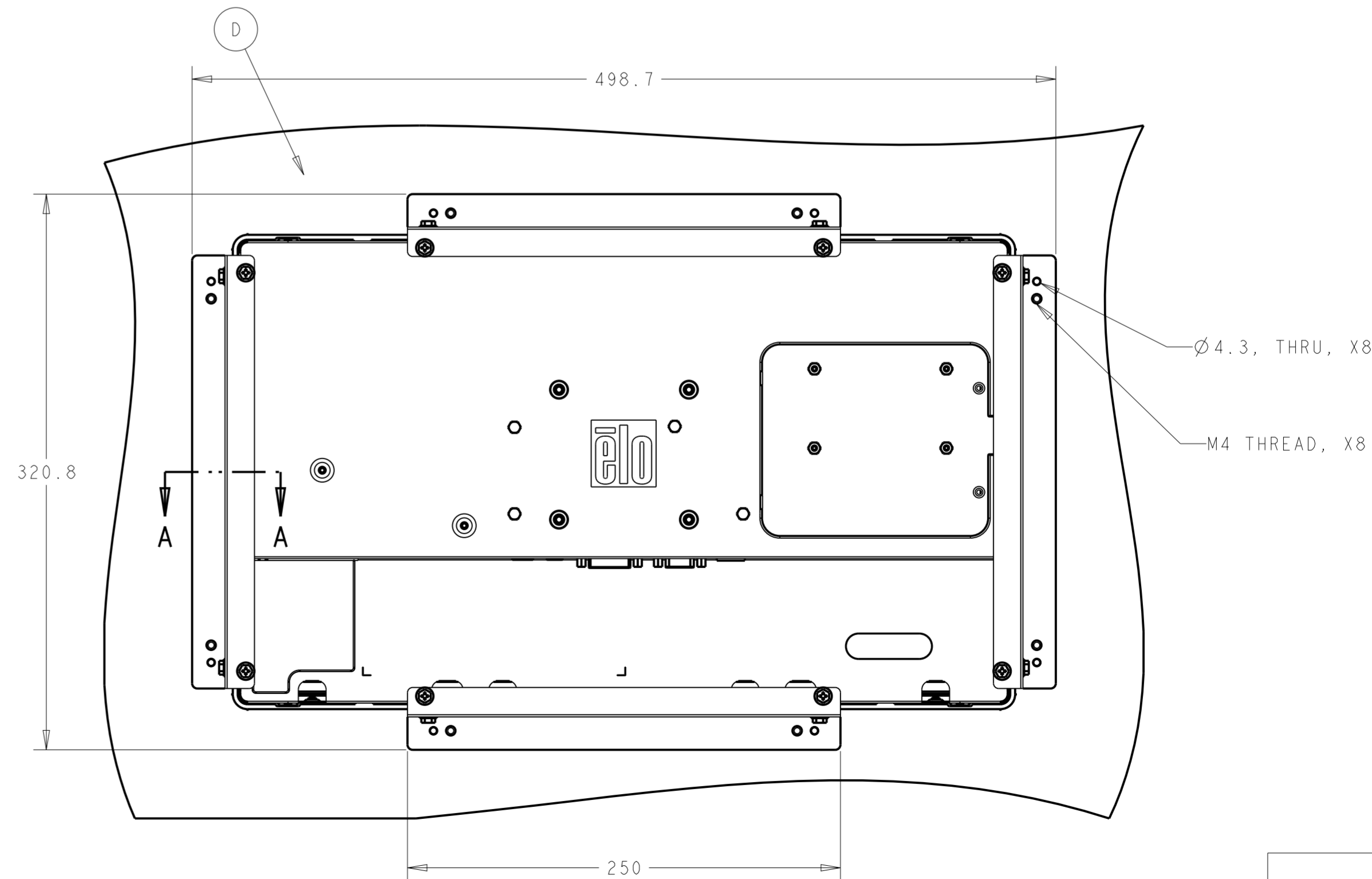
CLEARANCE HOLES FOR M4 MACHINE THREAD

MOUNTING HOLES, X8

1. IF CUSTOMER PANEL IS WOOD, 4.5MM THRU HOLES FOR M4 SCREWS OR NO THRU HOLES, SCREWS FOR WOOD 4MM
2. IF CUSTOMER PANEL IS METAL, BLIND HOLE, M4 THREADS

D - CUSTOMER PANEL:
 MIN THICKNESS = 3.3 MM
 MAX THICKNESS = 14 MM

SCALE 2:5



SCALE 2:5