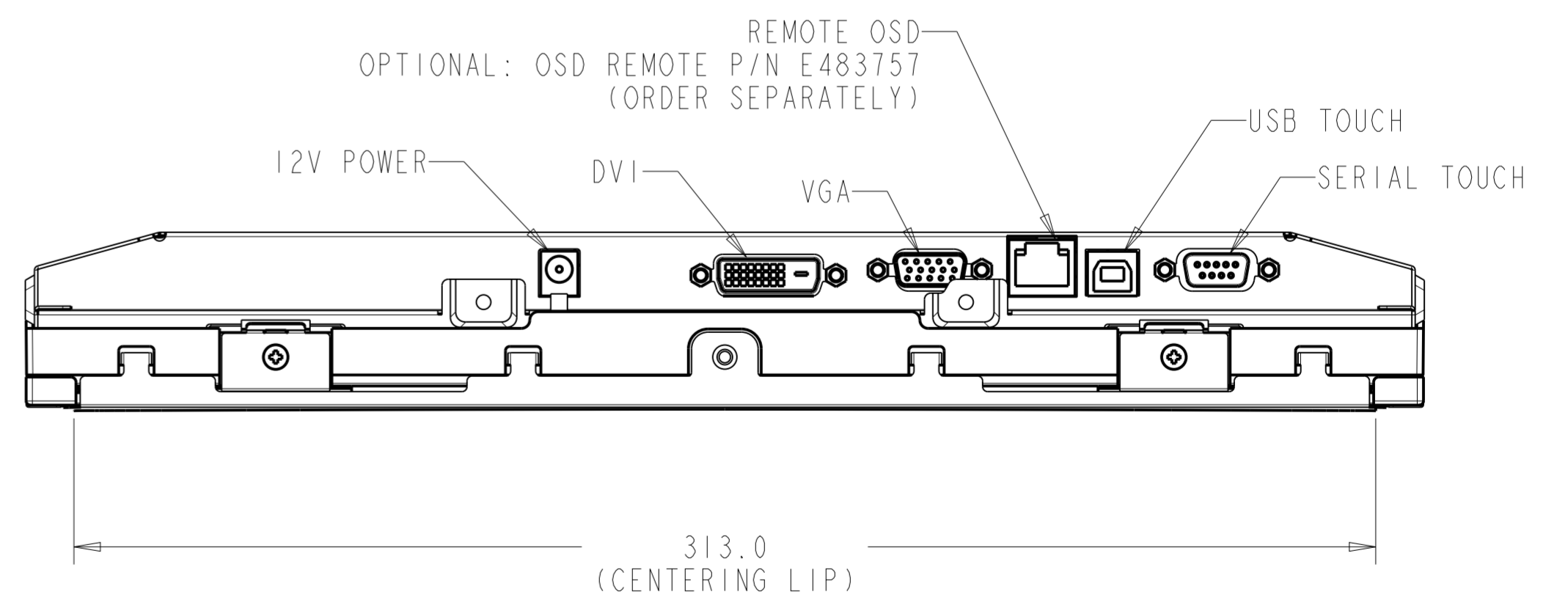
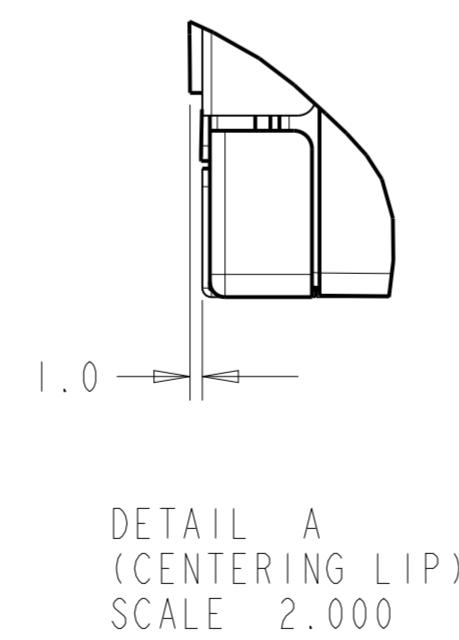
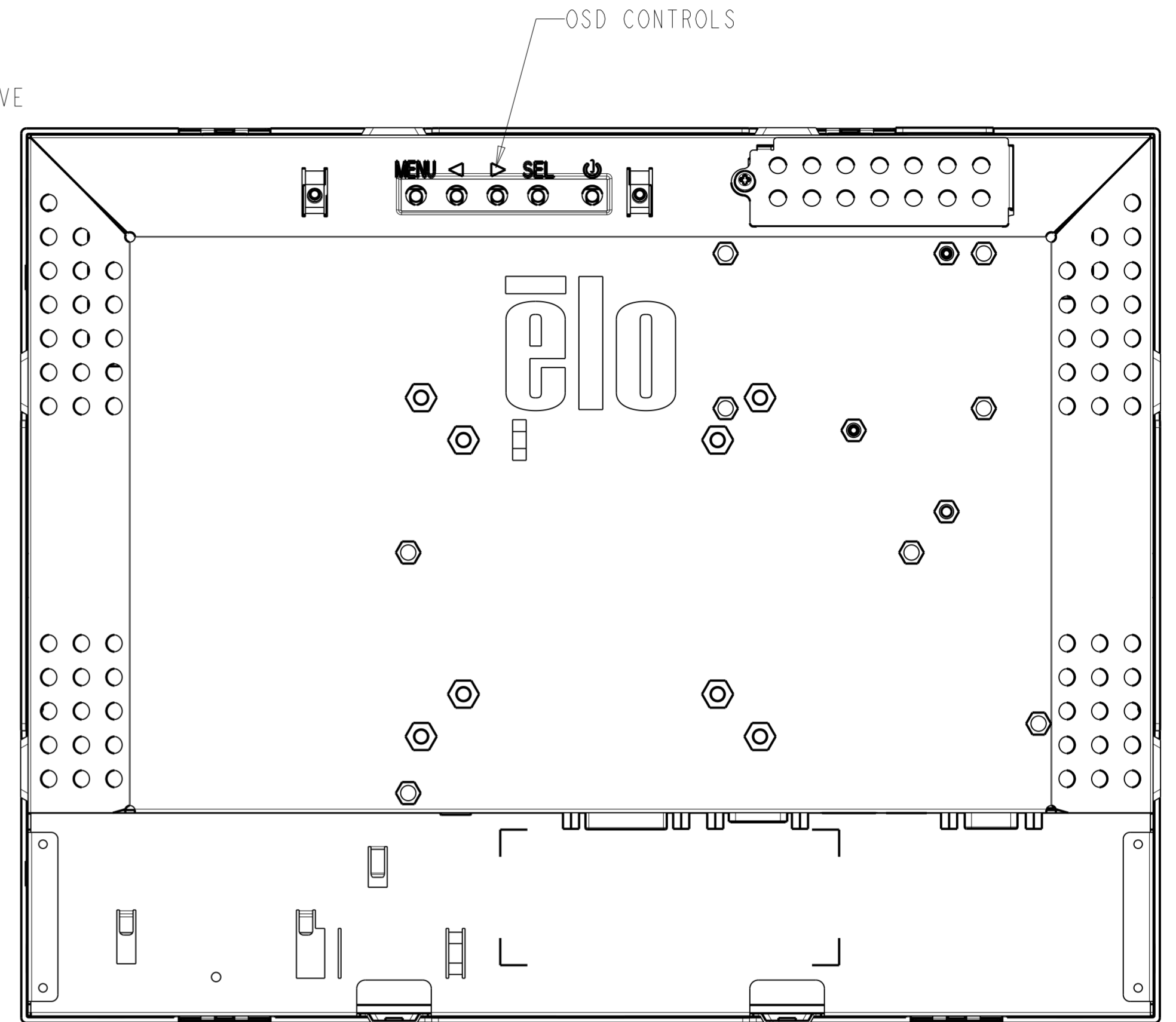
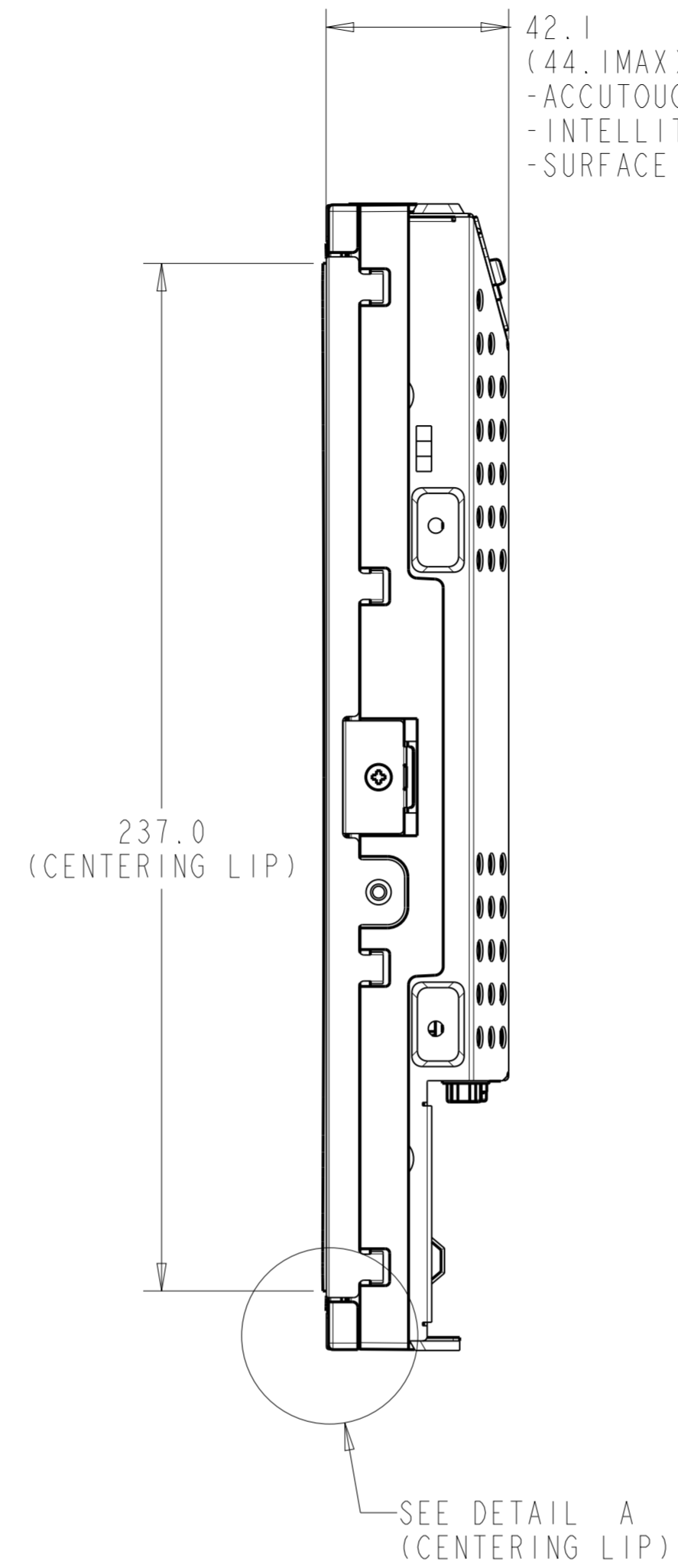
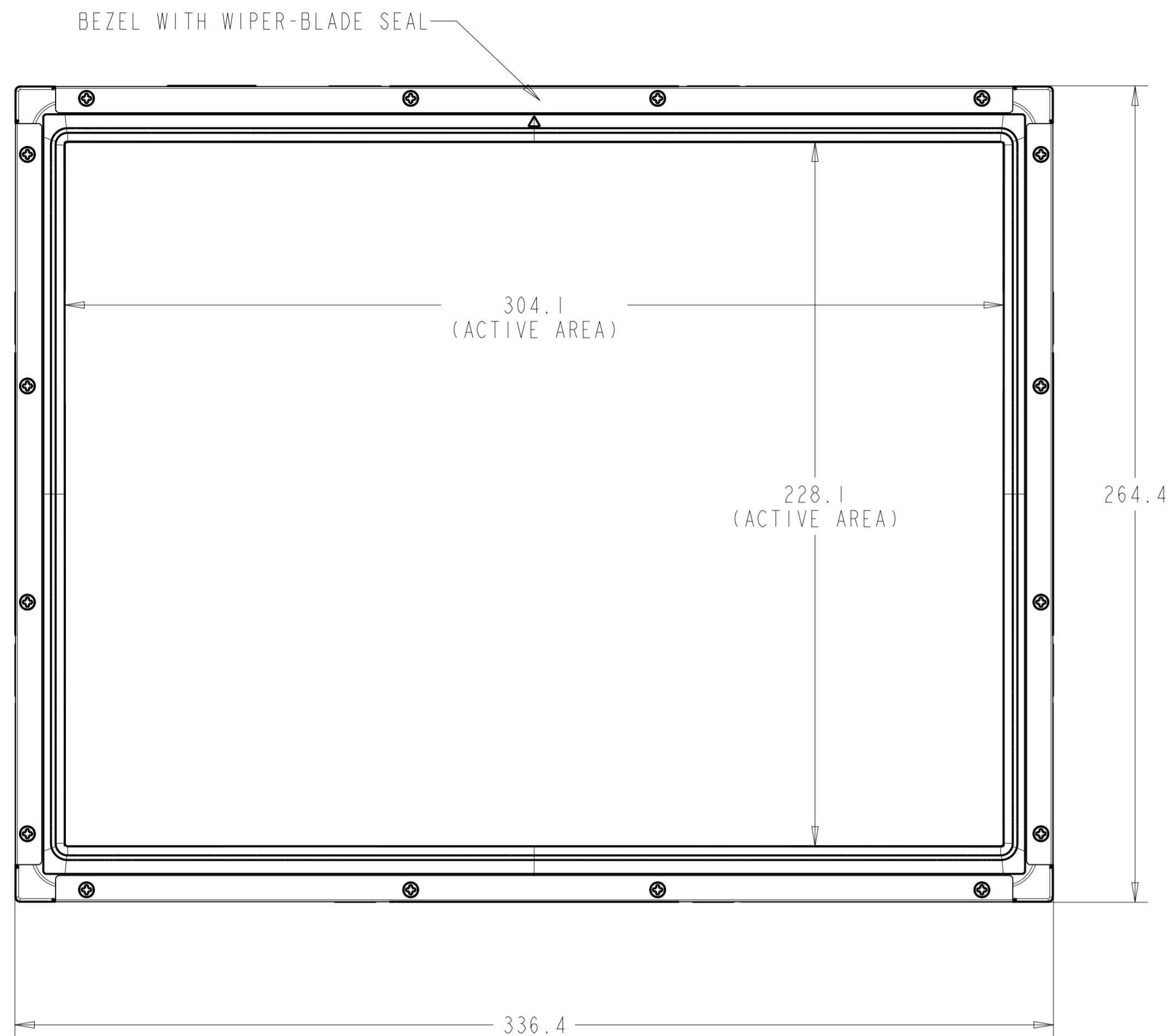
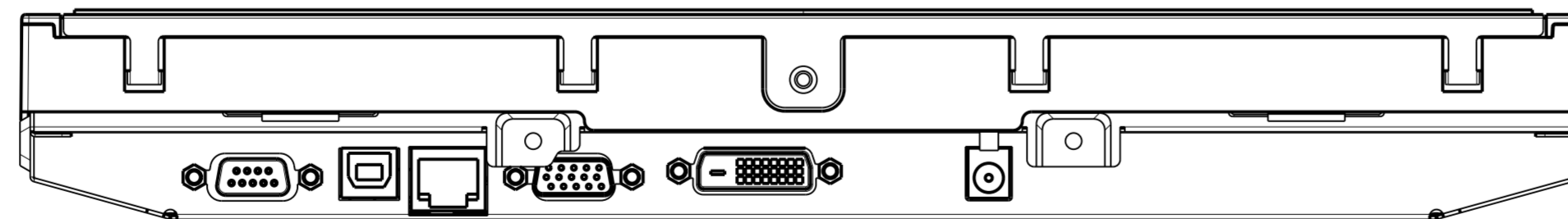
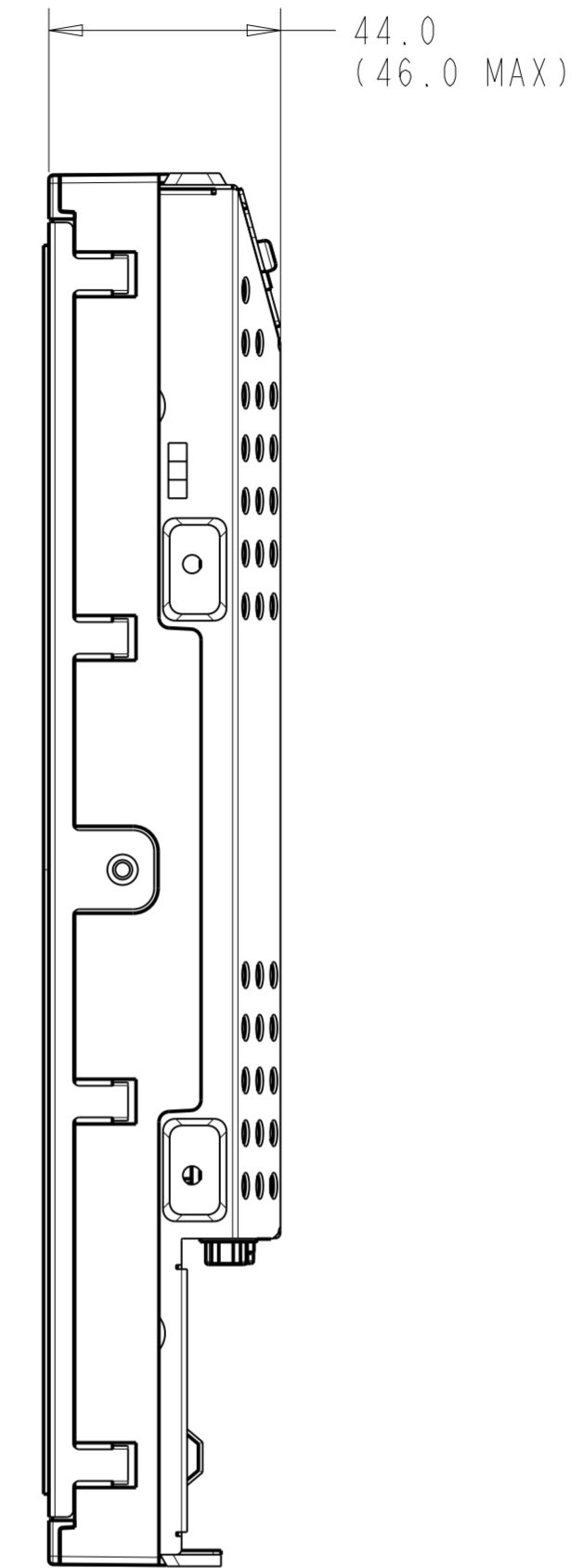
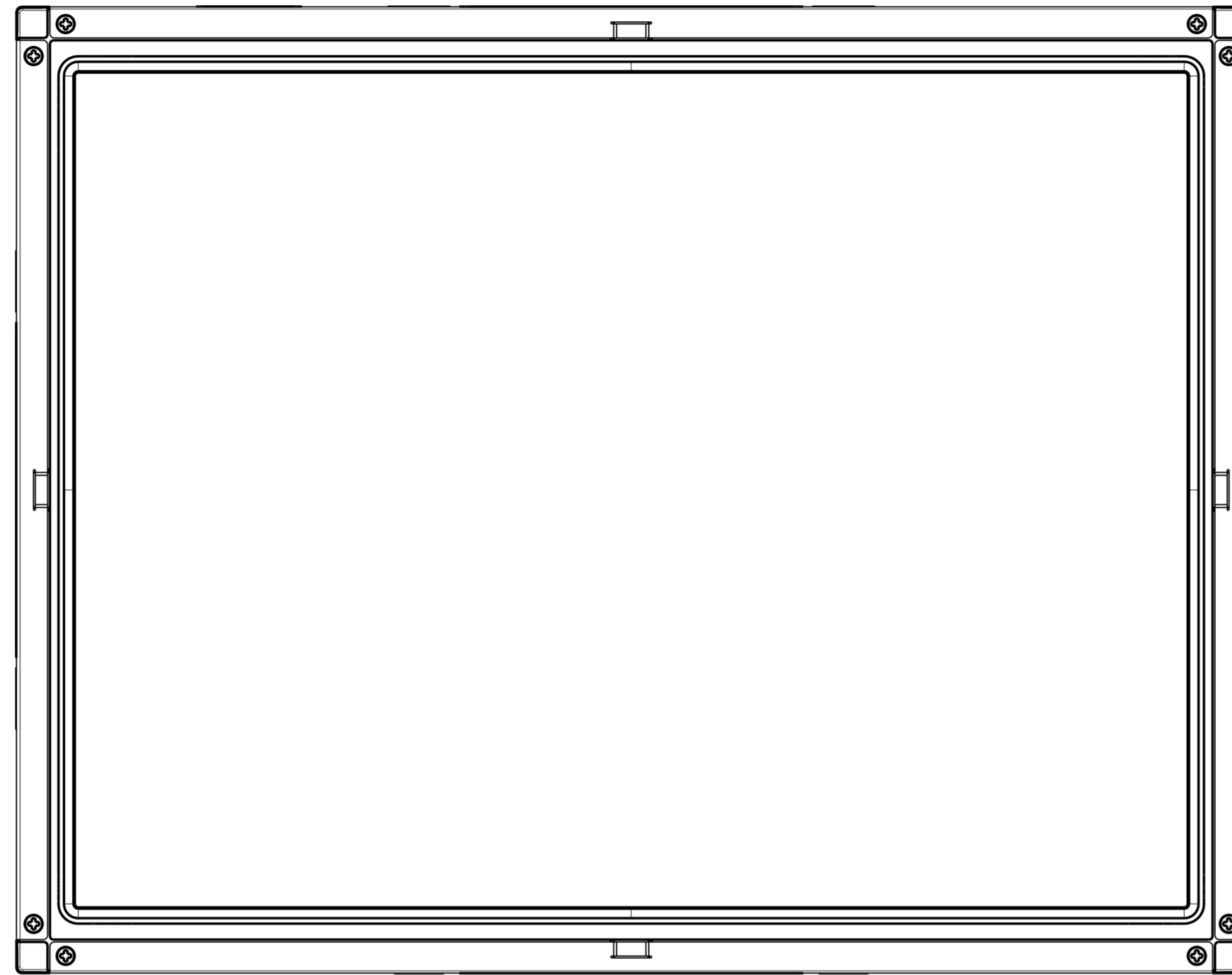


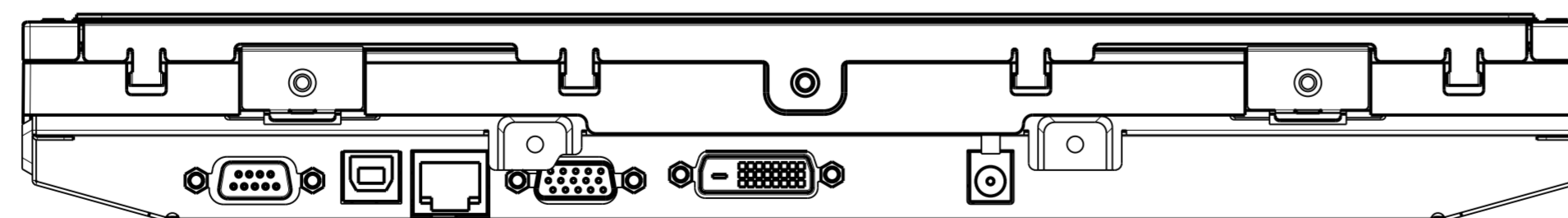
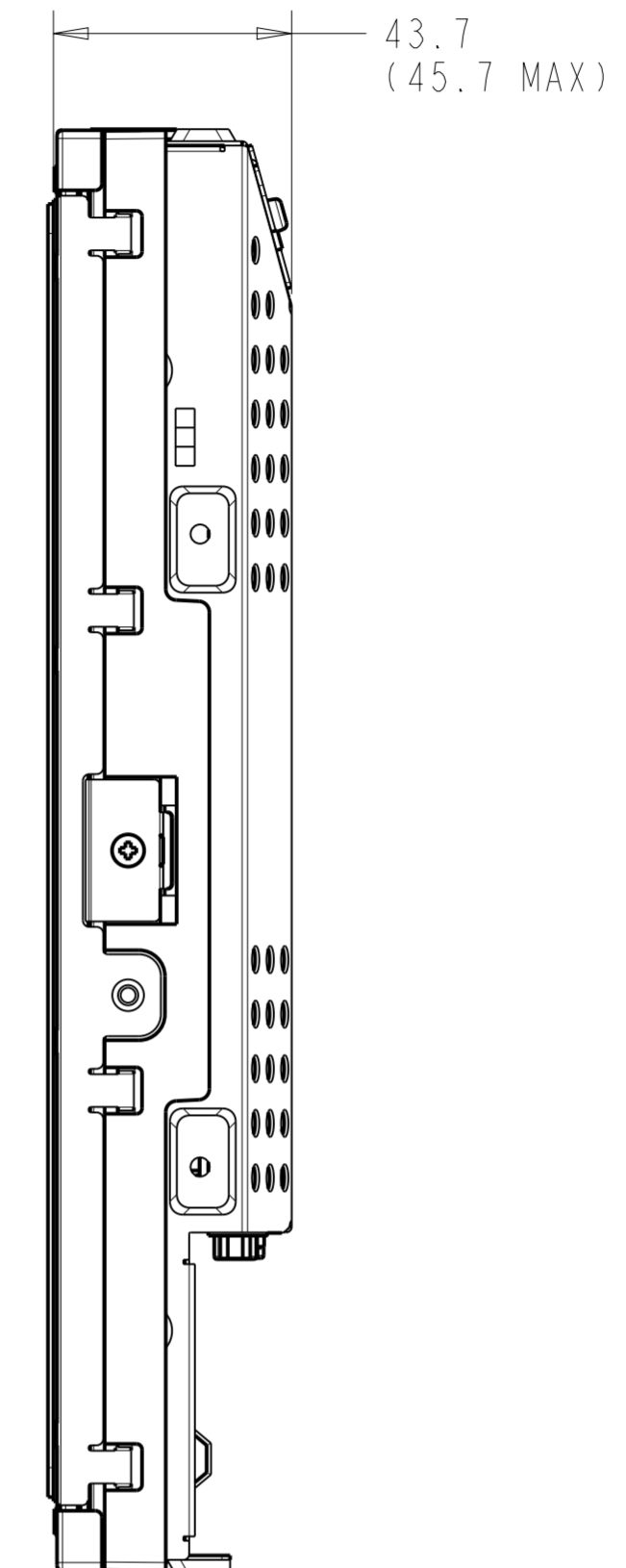
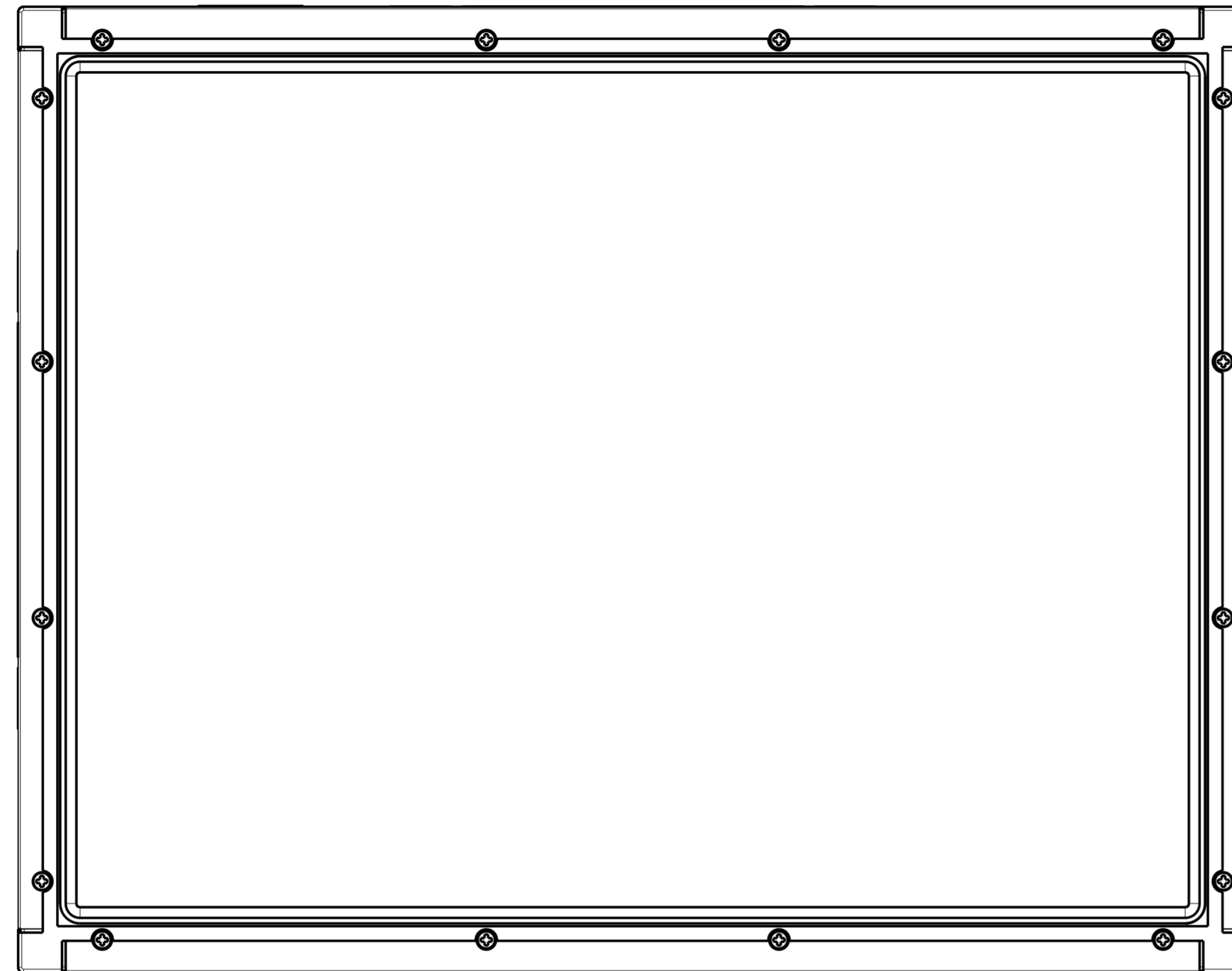
NOTES:
 1. ALL DIMENSIONS +/- 1.0MM UNLESS NOTED
 2. DIMENSIONS SHOWN ARE FOR ALL TOUCH TECHNOLOGIES UNLESS NOTED.



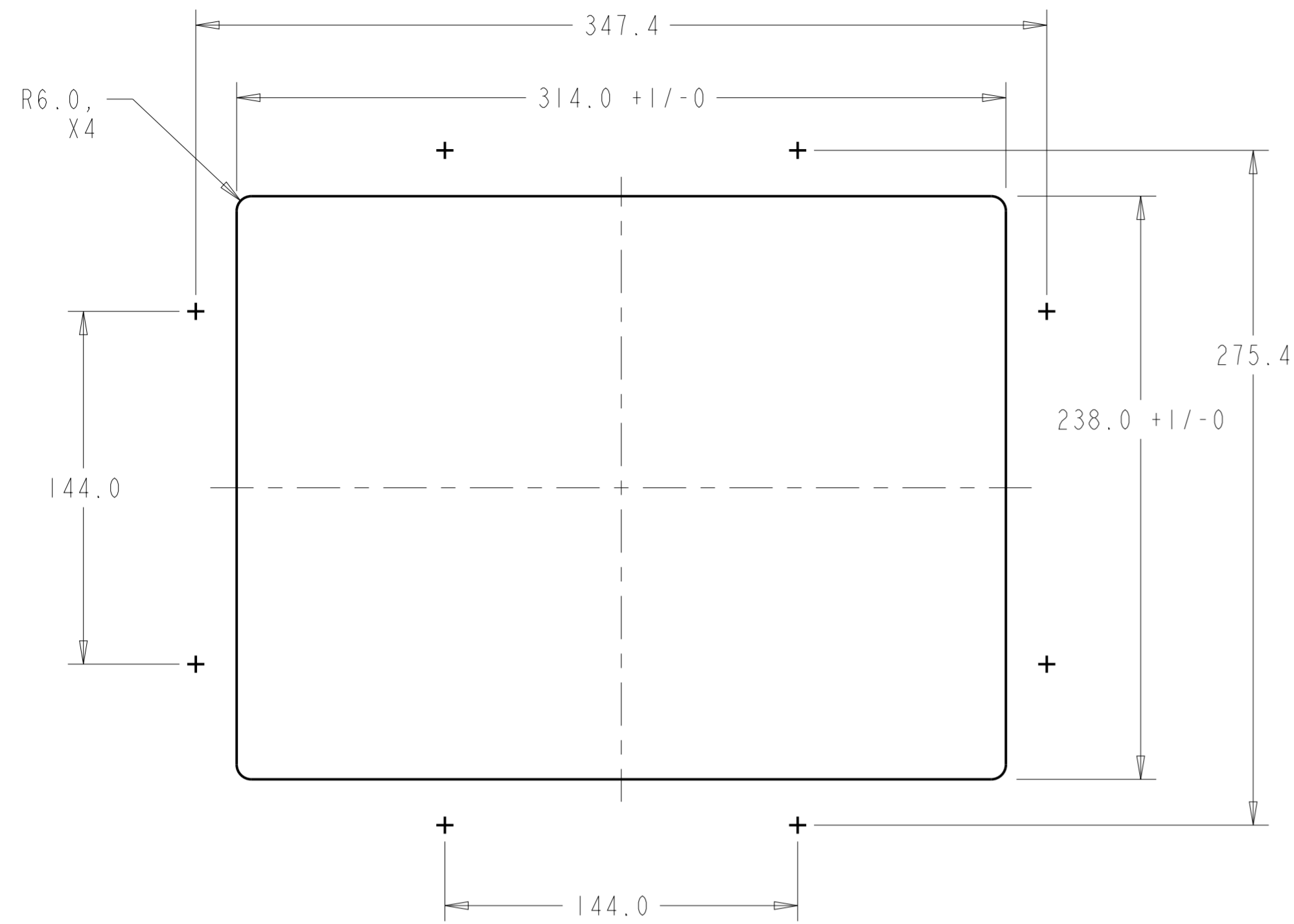
IR OPTION



SECURETOUCH OPTION



**RECOMMENDED CUSTOMER
PANEL CUT-OUT (SEE NOTE A)**



NOTE A
CUSTOMER PANEL MATERIAL:

1. WOOD: $\varnothing 4.5$ HOLES THRU
FOR M4 SCREWS W/NUTS,
OR, NO THRU HOLES, SCREWS
FOR WOOD $\varnothing 4$ mm,

2. SHEET METAL: CONCEALED HEAD
THREADED STUDS M4 W/NUTS.

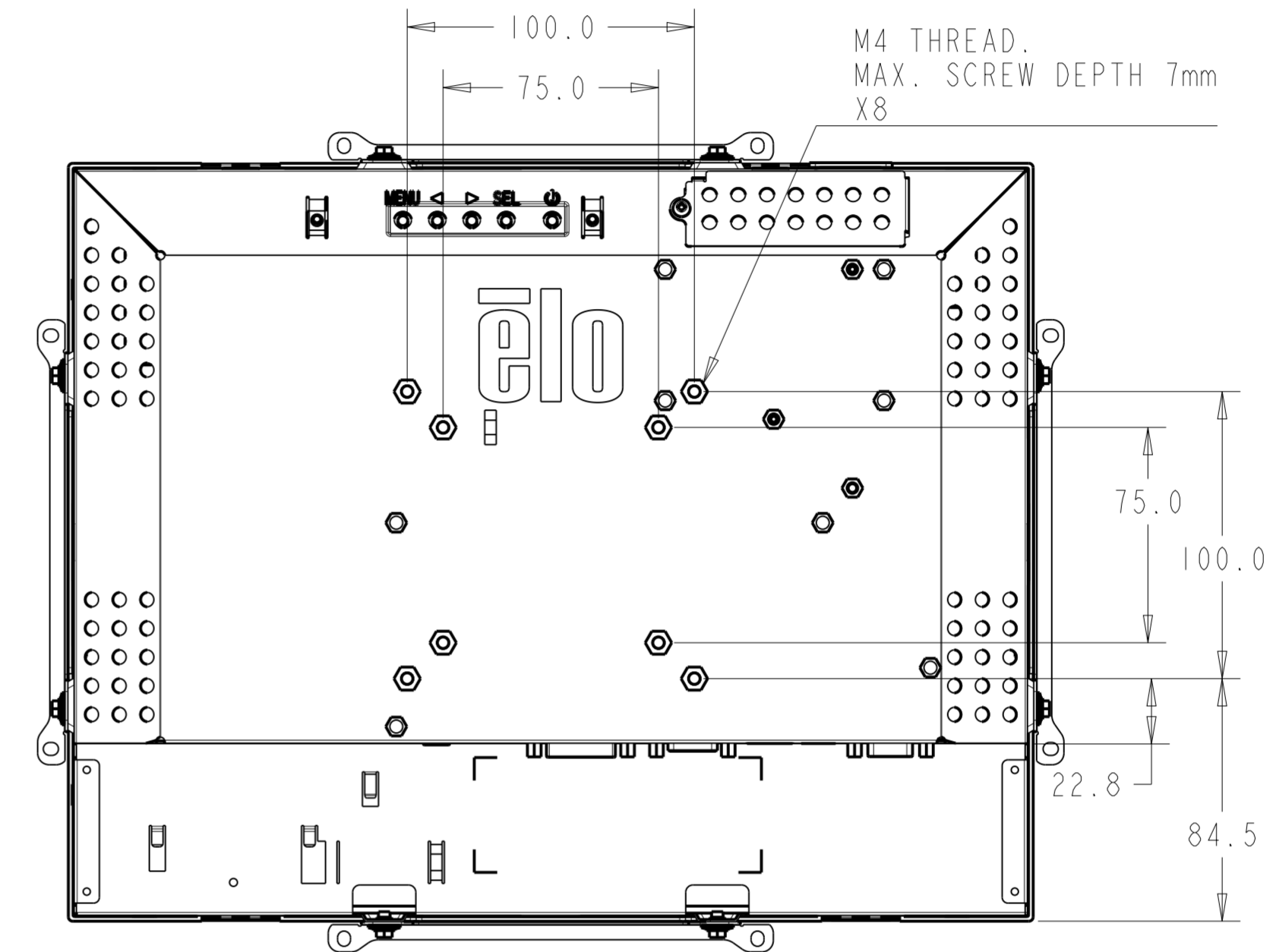
NOTE B

MONITOR INCLUDES 2 BRACKETS,
ADDITIONAL BRACKETS AVAILABLE,
P/N E203787

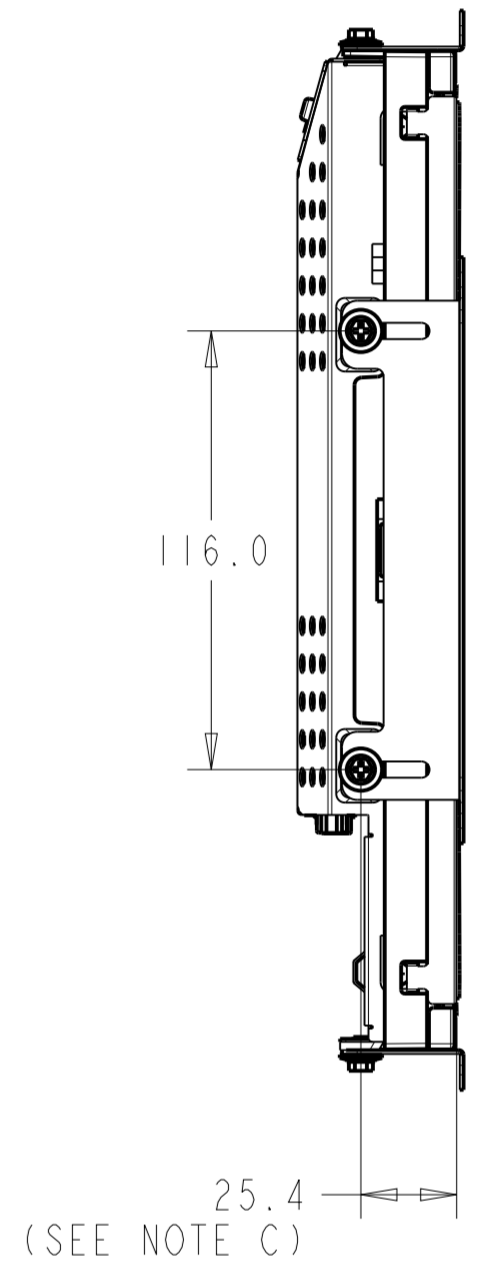
NOTE C

27.2 mm = SECURE TOUCH AND IR

VESA MOUNT

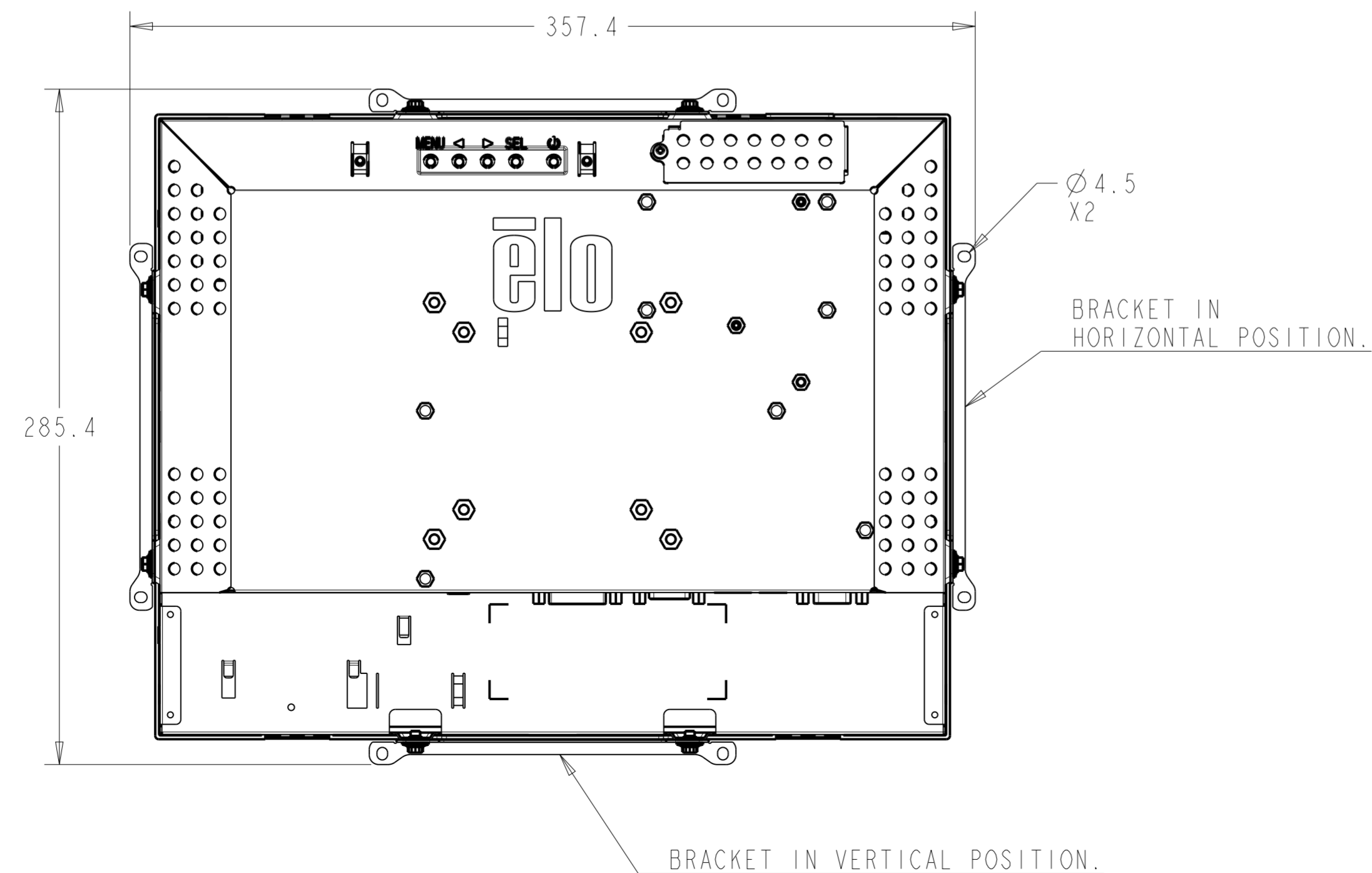
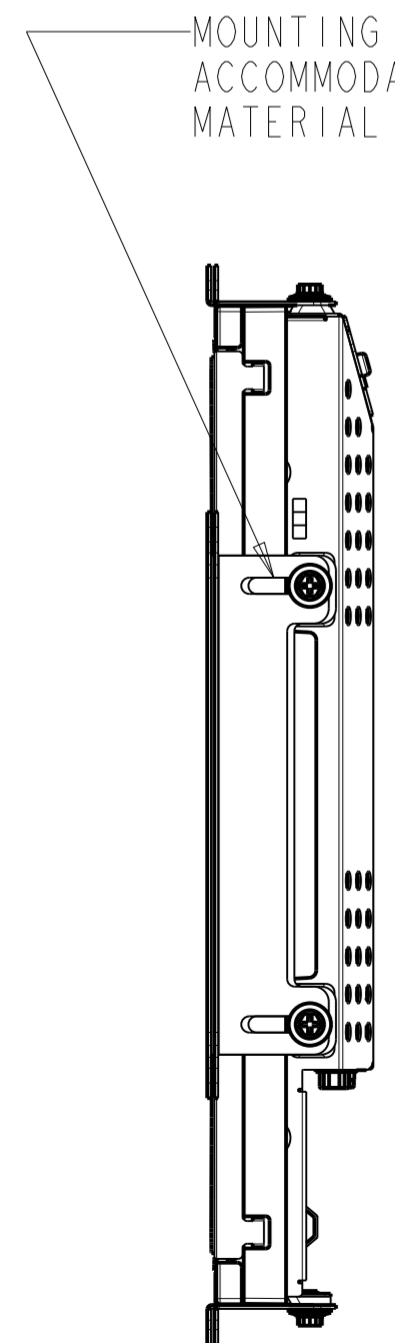


SIDE MOUNT, VERTICAL

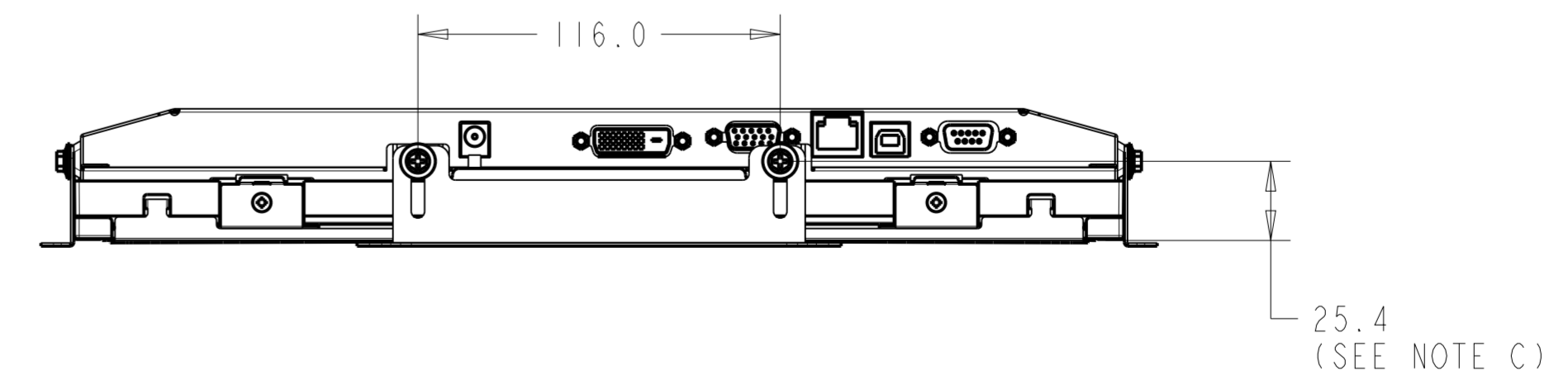


**REAR MOUNT WITH BRACKETS,
HORIZONTAL AND VERTICAL (SEE NOTE B)**

MOUNTING BRACKETS
ACCOMMODATE MAX. 14mm
MATERIAL THICKNESS.



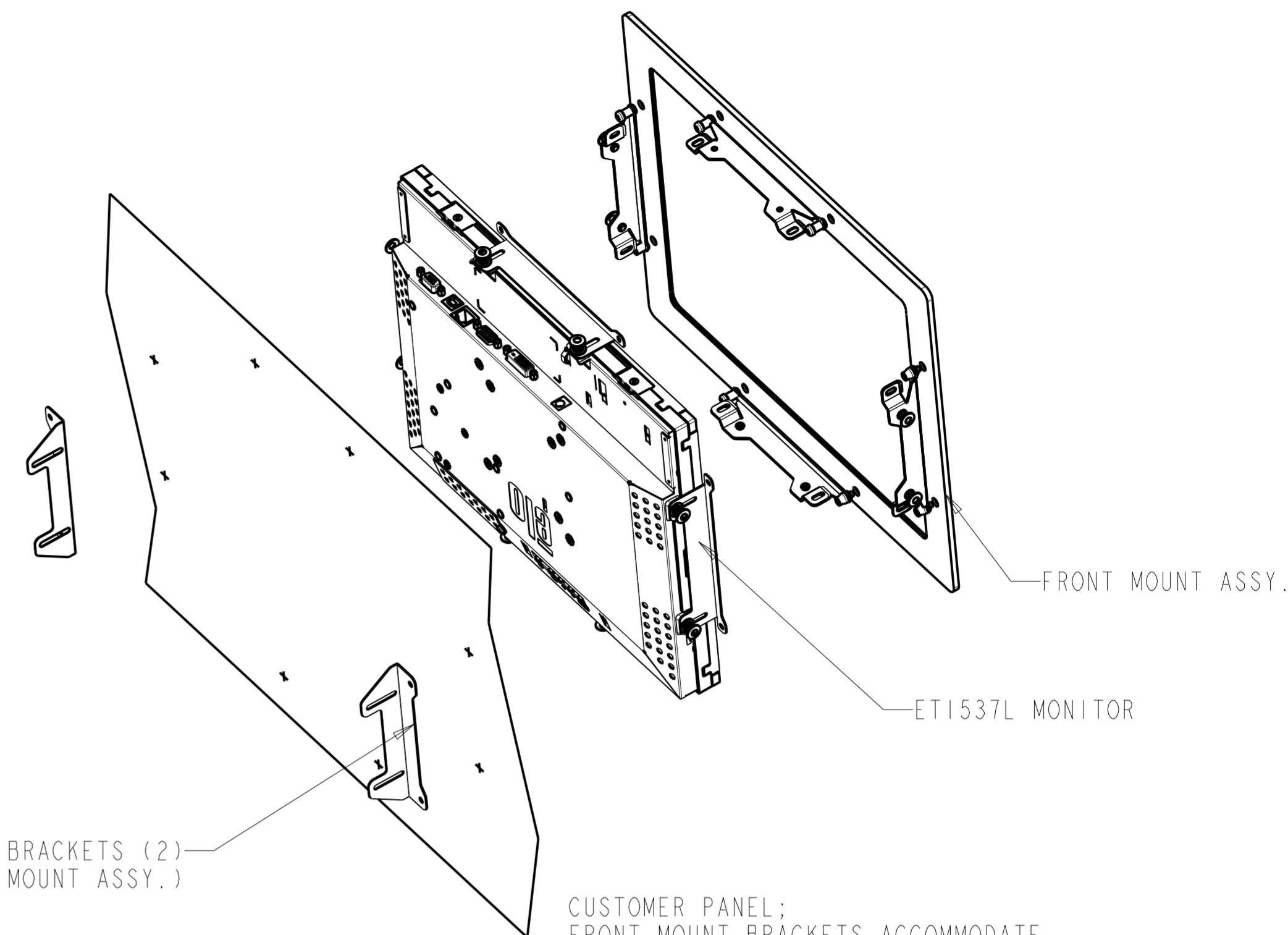
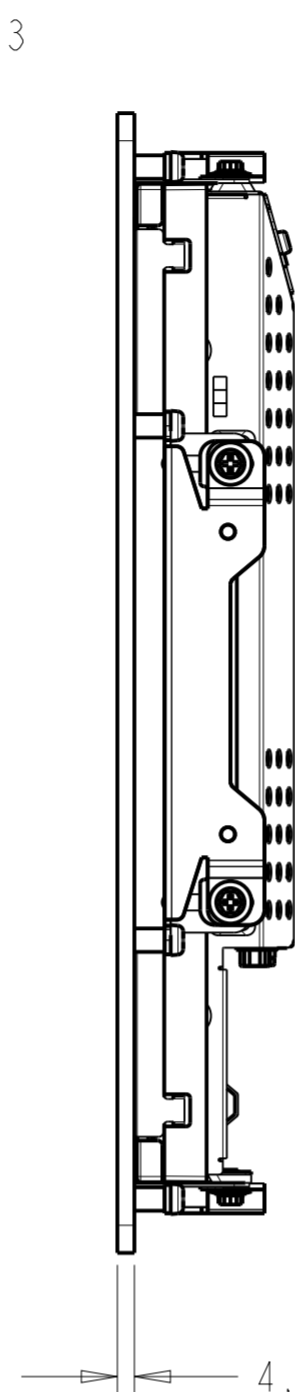
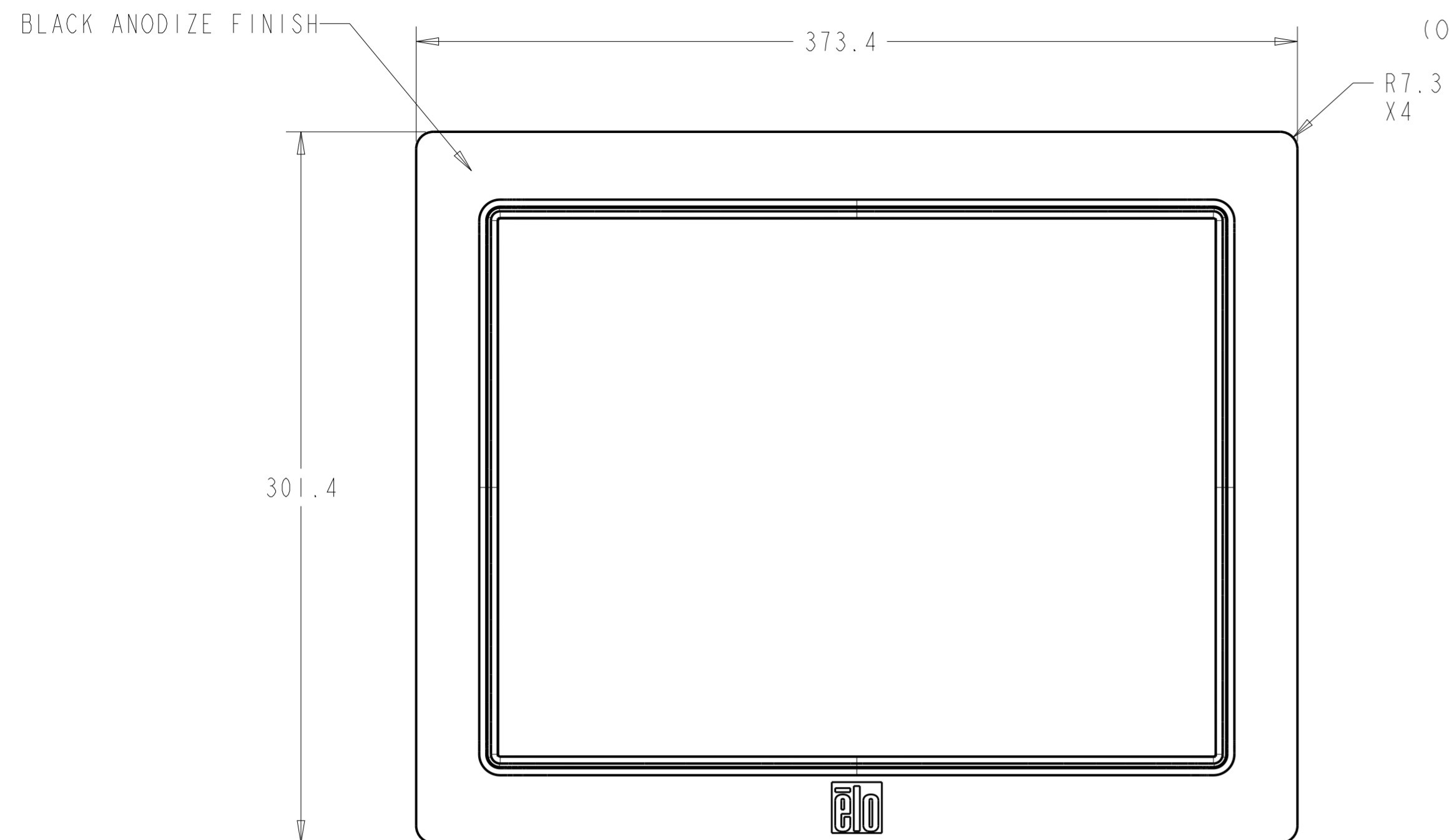
SIDE MOUNT, HORIZONTAL



FRONT MOUNT OPTION

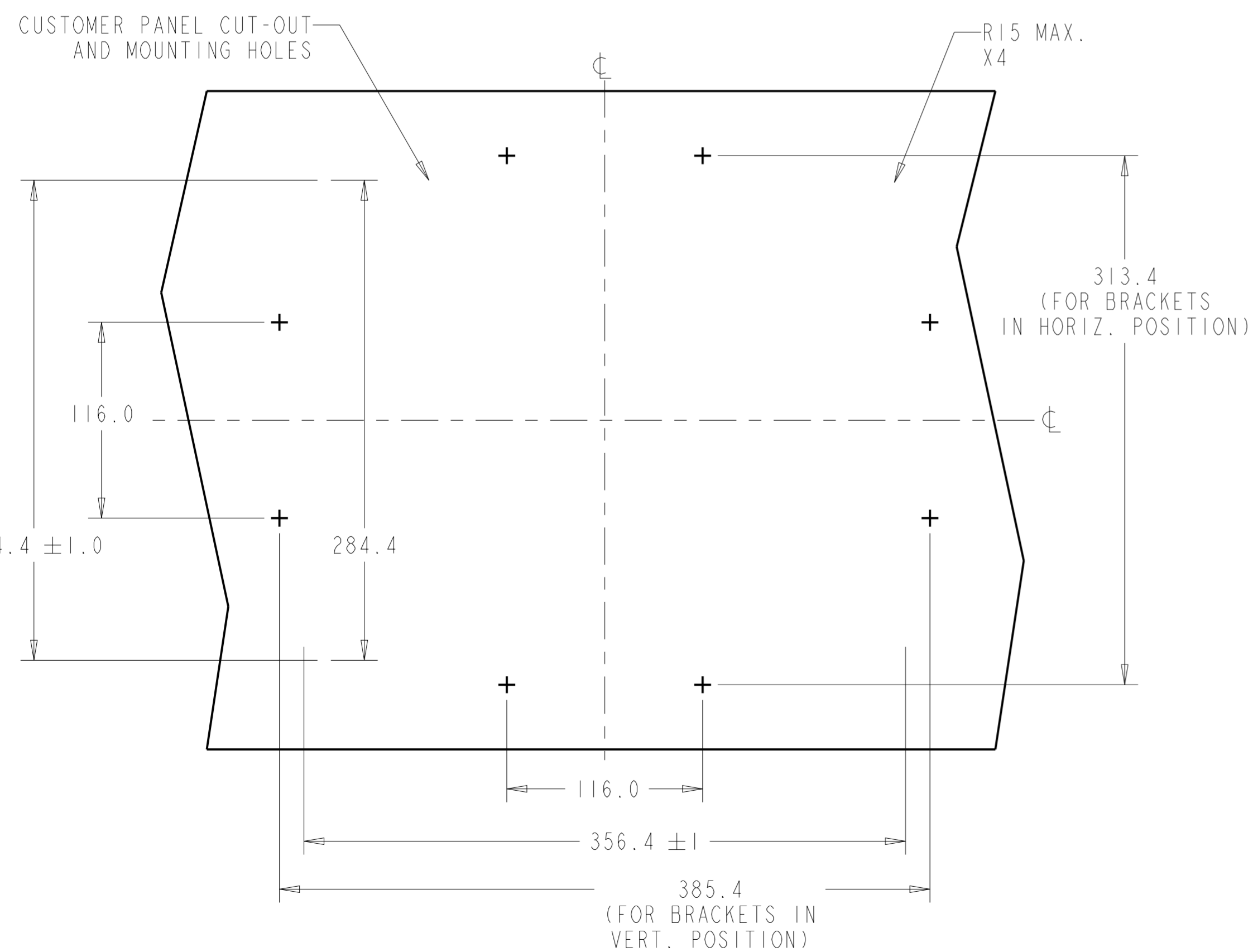
P/N E323425

(ORDERED SEPERATLY, CUSTOMER ASSEMBLED)

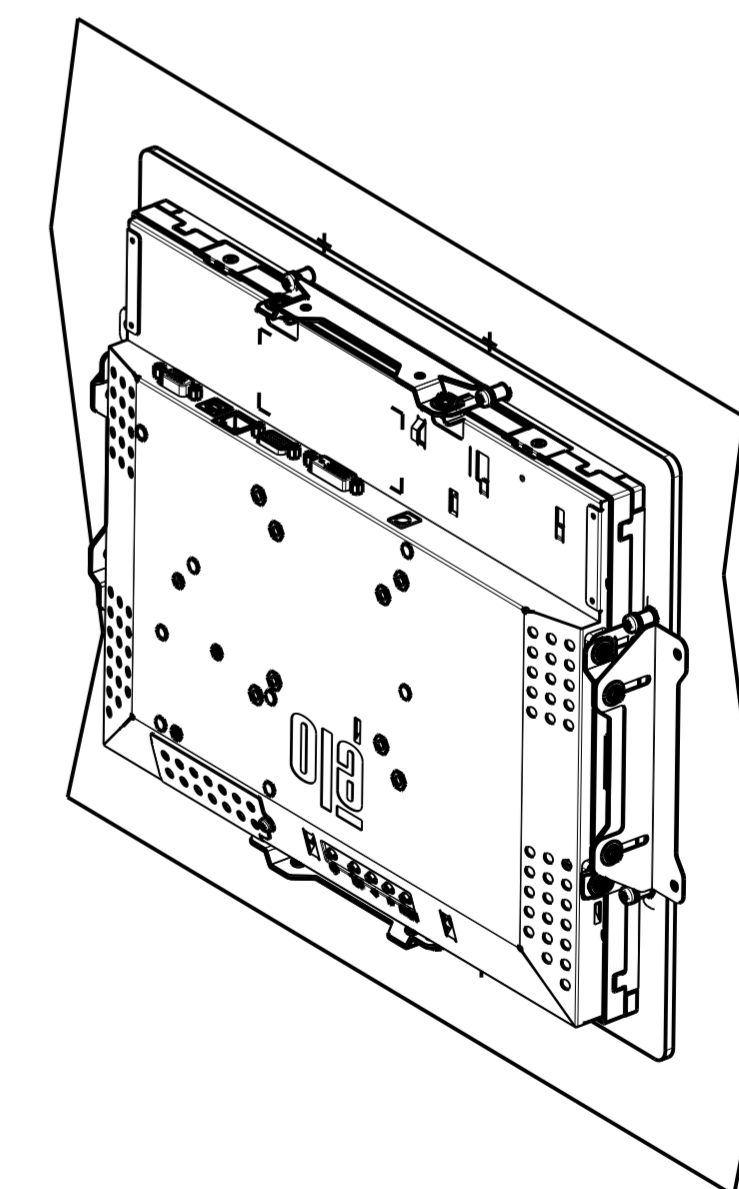
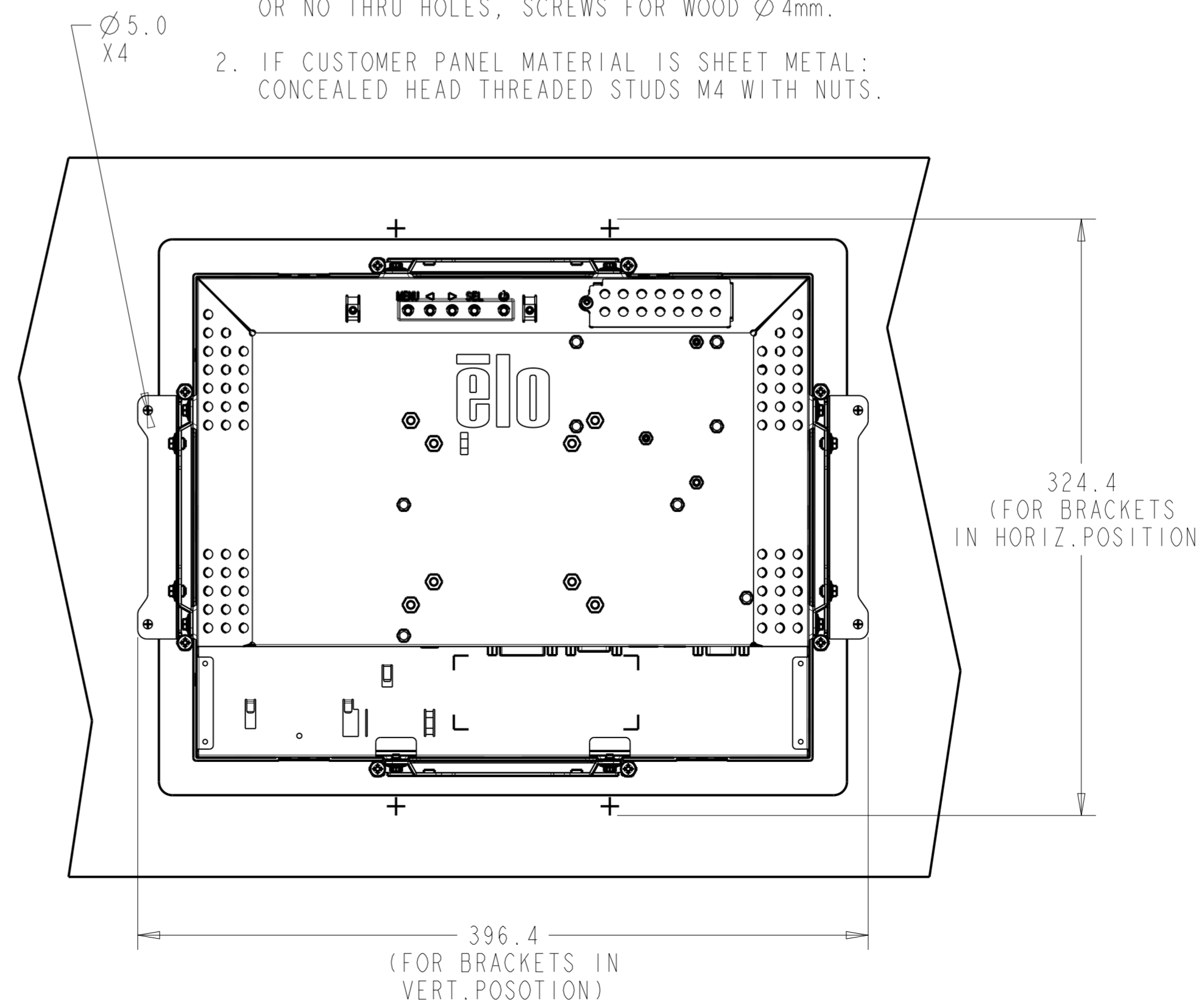


FRONT MOUNT BRACKETS (2)
(INCLUDED WITH FRONT MOUNT ASSY.)

CUSTOMER PANEL;
FRONT MOUNT BRACKETS ACCOMMODATE
MAX. 14mm MATERIAL THICKNESS.



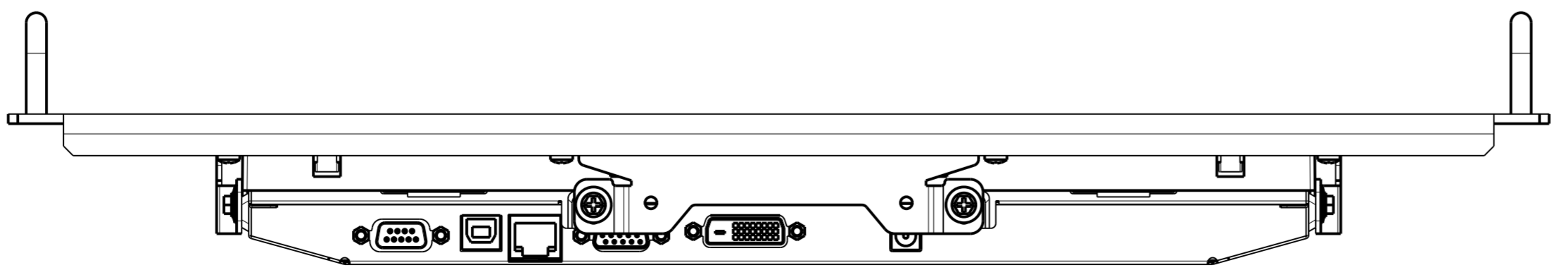
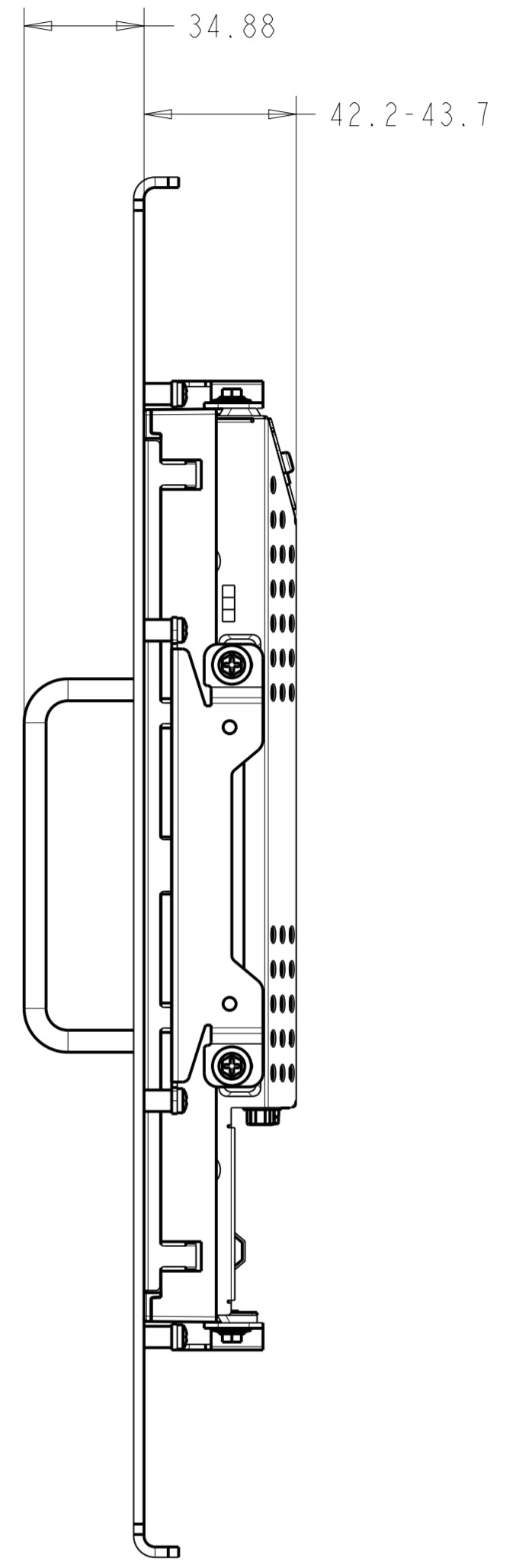
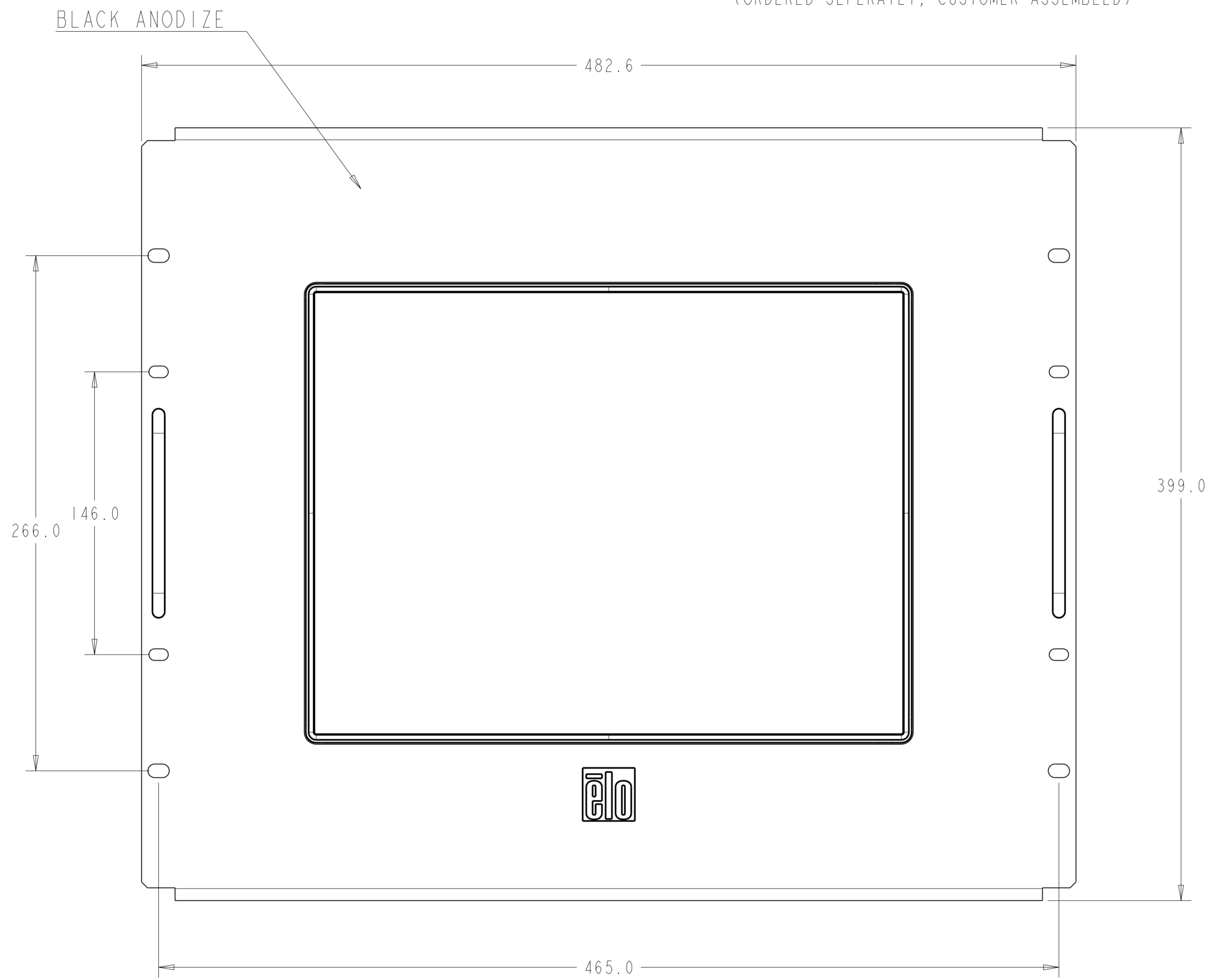
- NOTE:
- IF CUSTOMER PANEL MATERIAL IS WOOD:
Ø4.5mm HOLES THRU FOR M4 SCREWS,
OR NO THRU HOLES, SCREWS FOR WOOD Ø4mm.
 - IF CUSTOMER PANEL MATERIAL IS SHEET METAL:
CONCEALED HEAD THREADED STUDS M4 WITH NUTS.



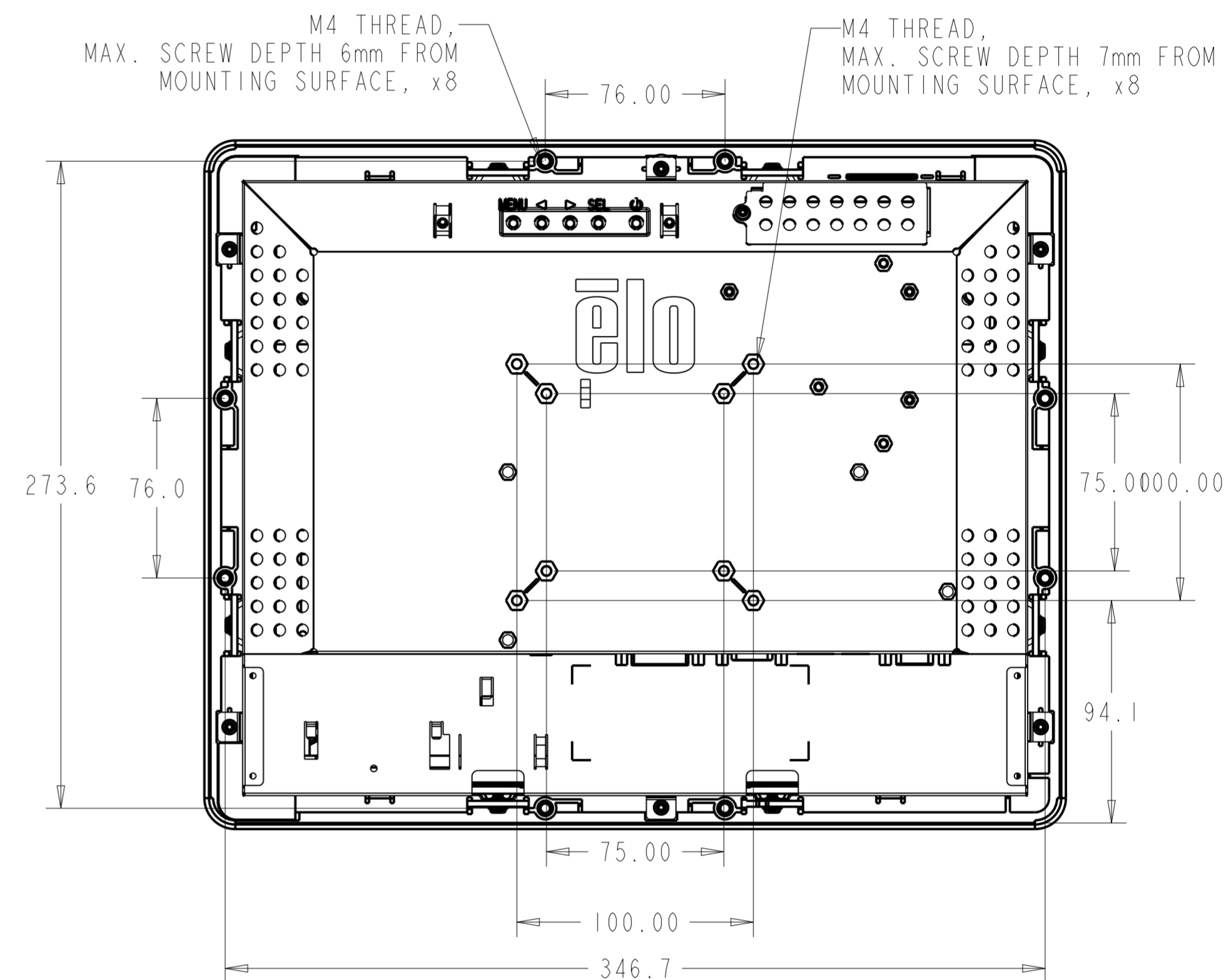
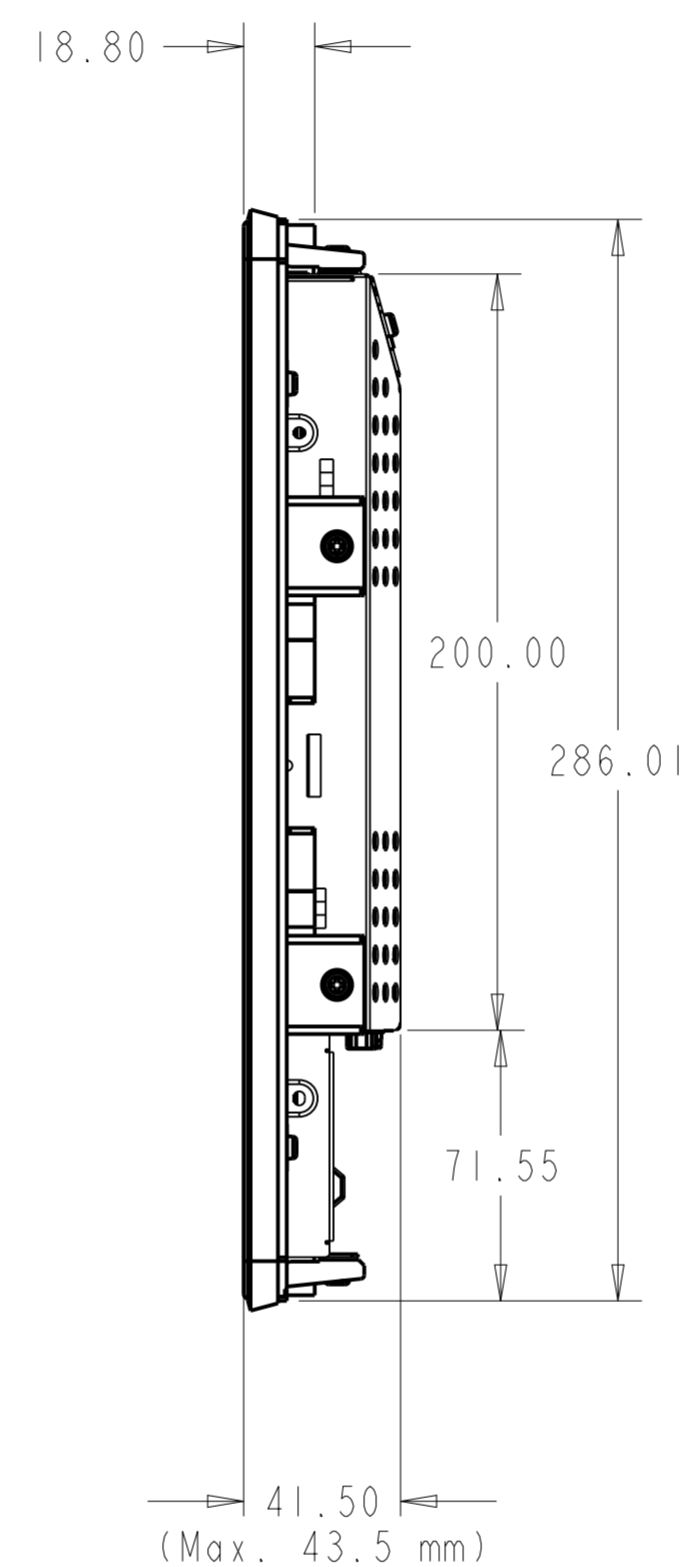
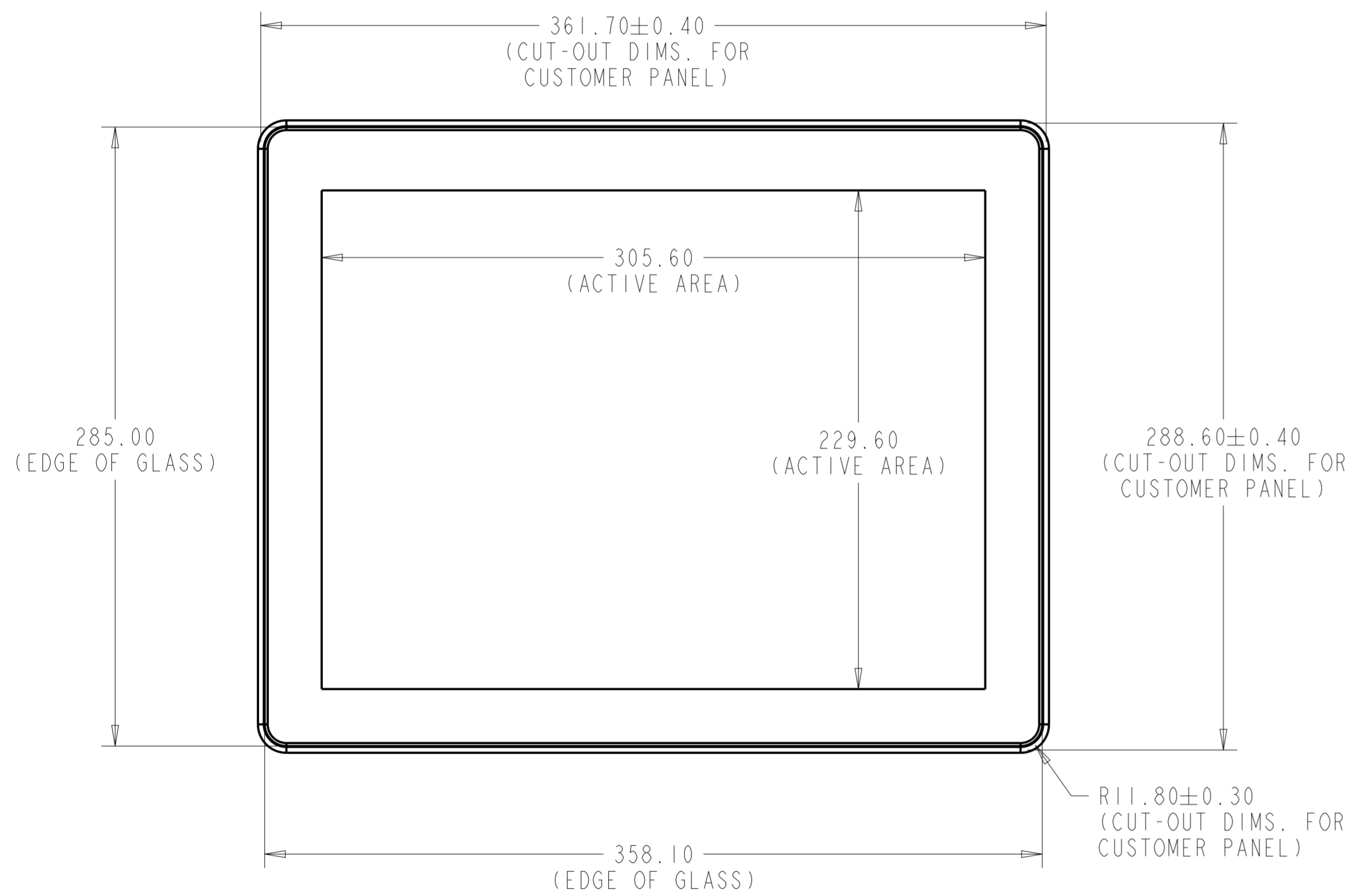
RACK MOUNT OPTION

P/N E295006

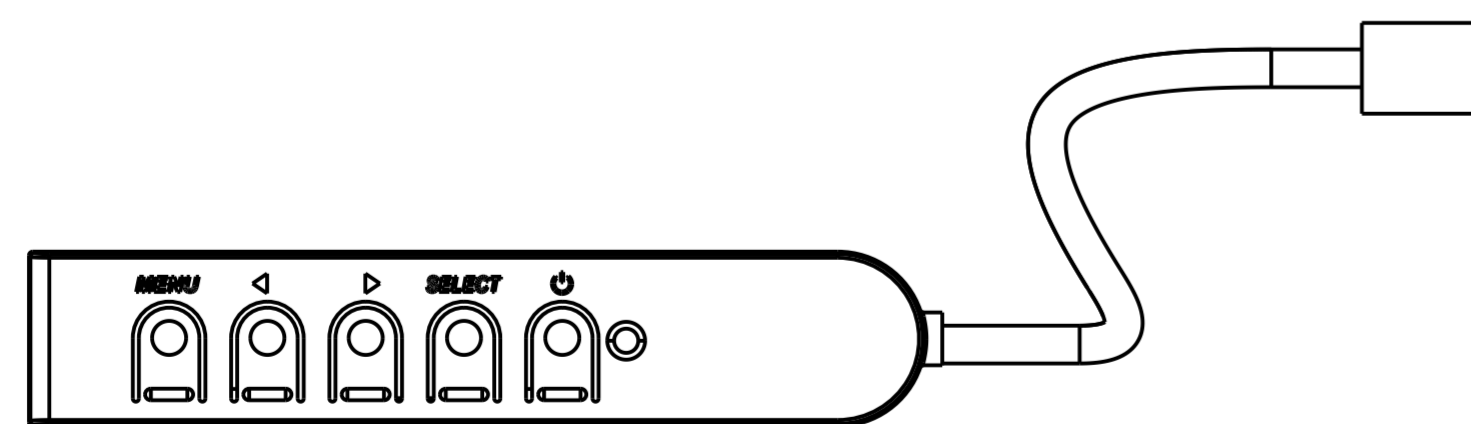
(ORDERED SEPERATLY, CUSTOMER ASSEMBLED)



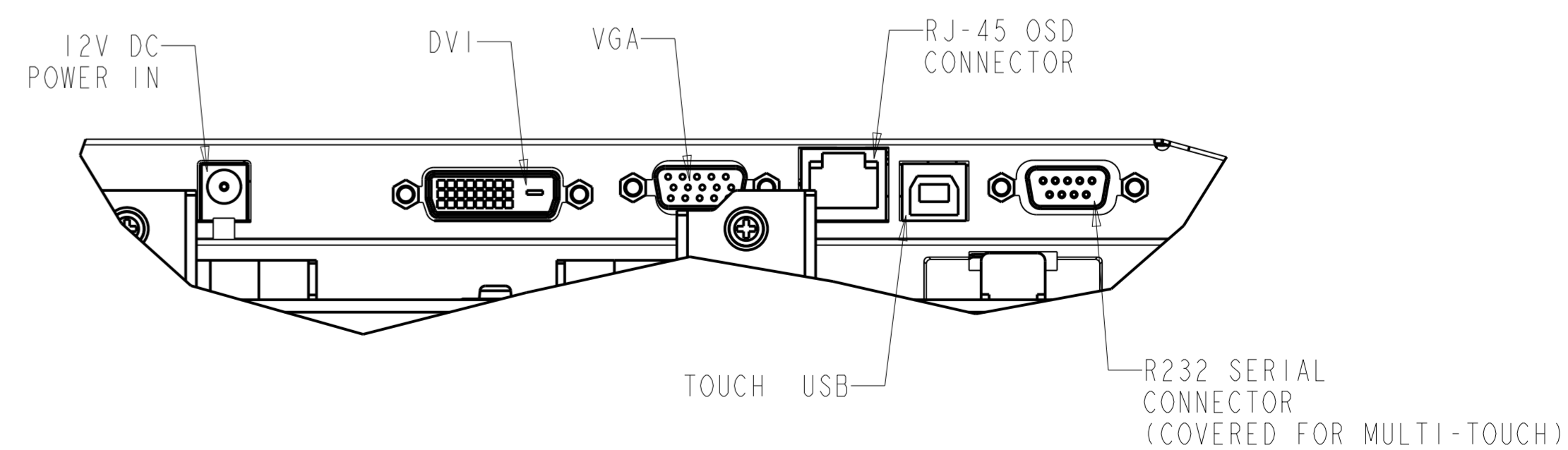
iTOUCH MODELS ONLY



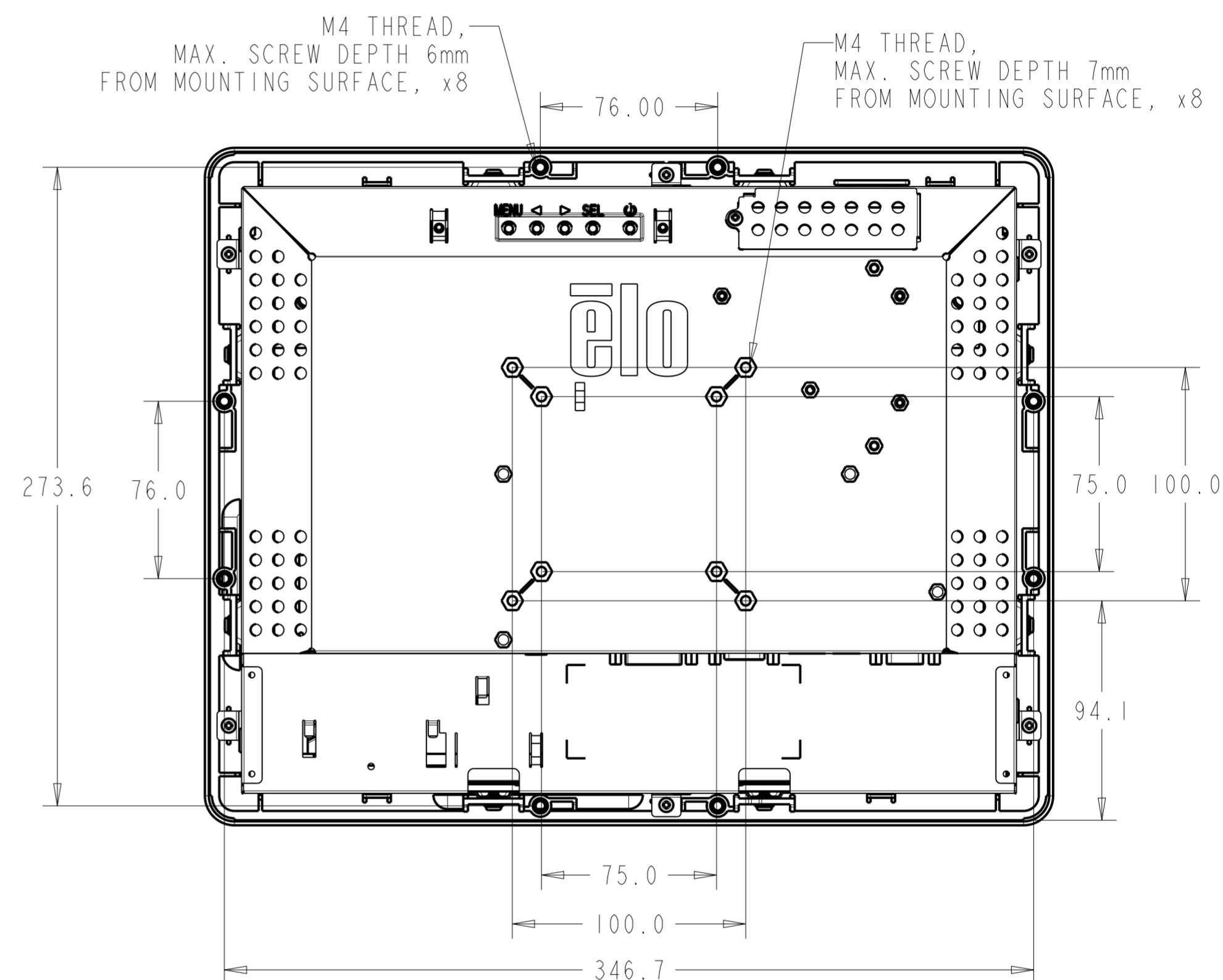
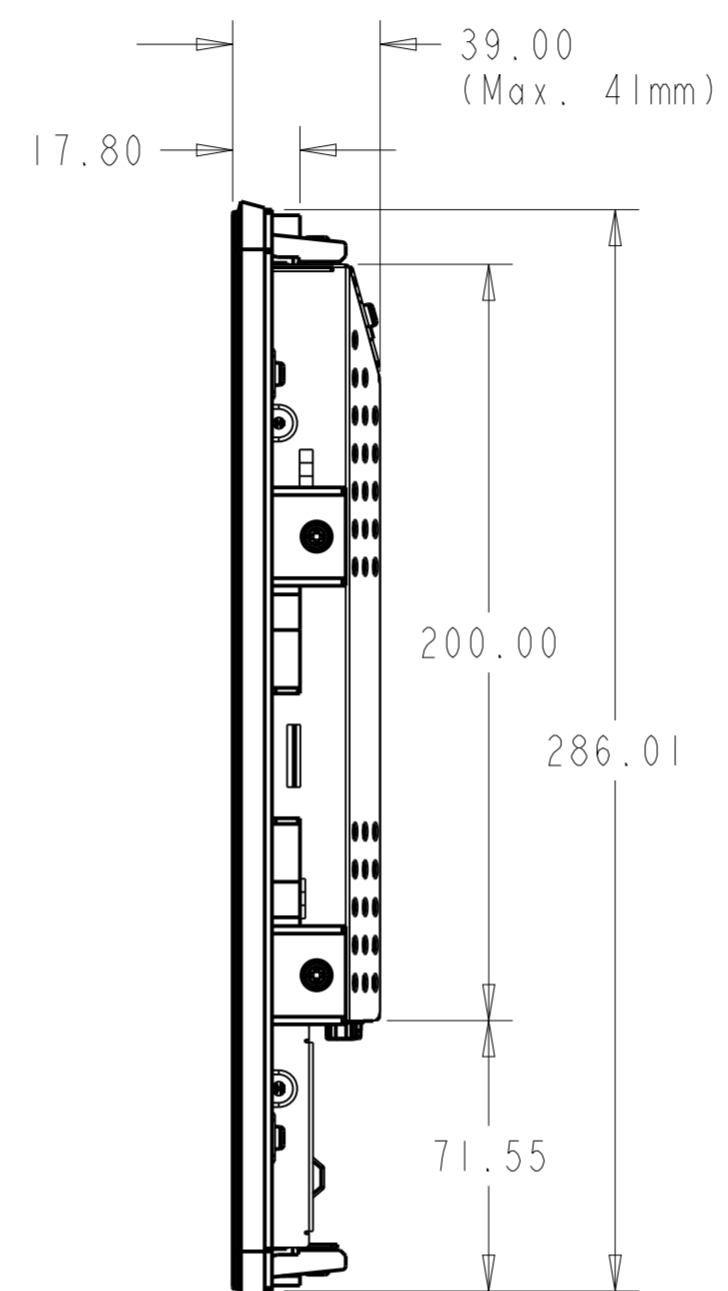
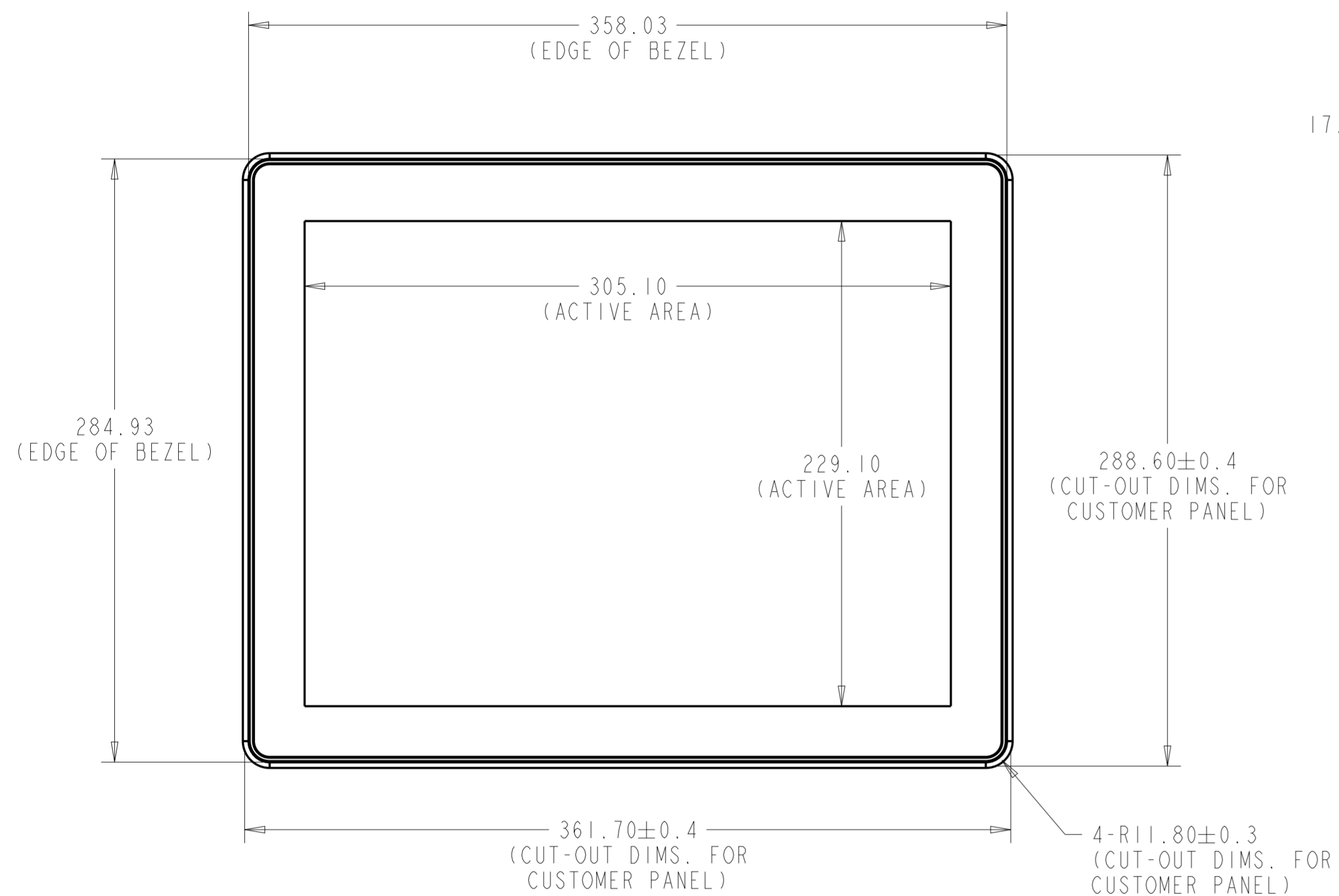
VESA MOUNT / SIDE MOUNT (VERTICAL&HORIZONTAL)



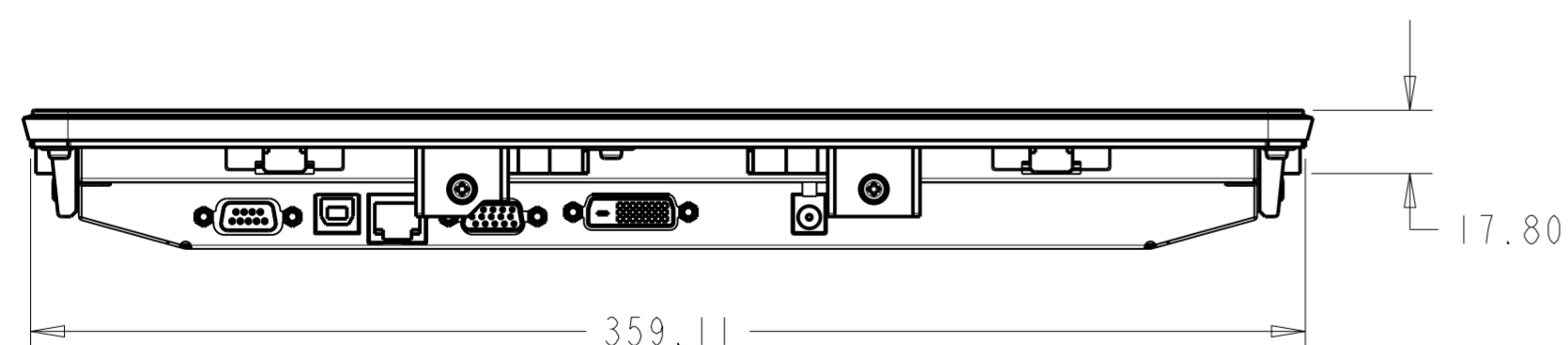
OPTIONAL OSD REMOTE P/N E483757
(ORDERED SEPARATELY)



PROJECTED CAPACITIVE MODEL ONLY



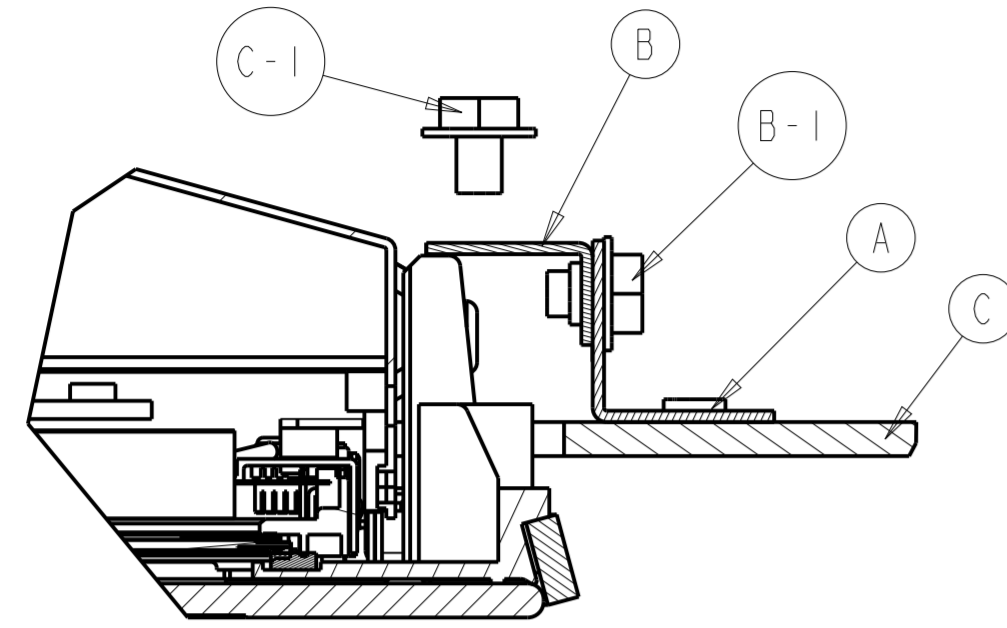
VESA MOUNT / SIDE MOUNT (VERTICAL&HORIZONTAL)



iTOUCH / PROJECTED CAPACITIVE MODELS

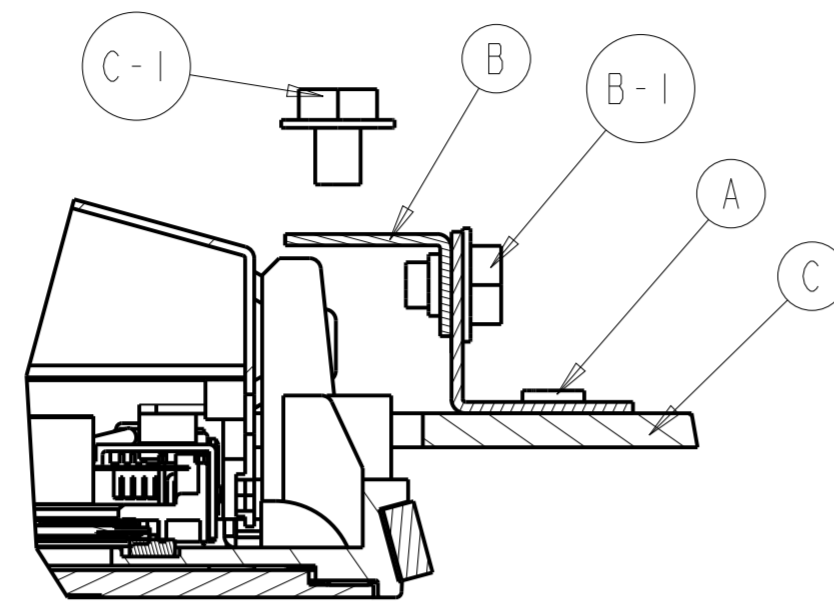
MOUNTING WITH ADJUSTABLE FLUSH BRACKETS (4 KITS PROVIDED)

iTOUCH MOUNT INSTALLATION



SECTION A-A
SCALE 1.500

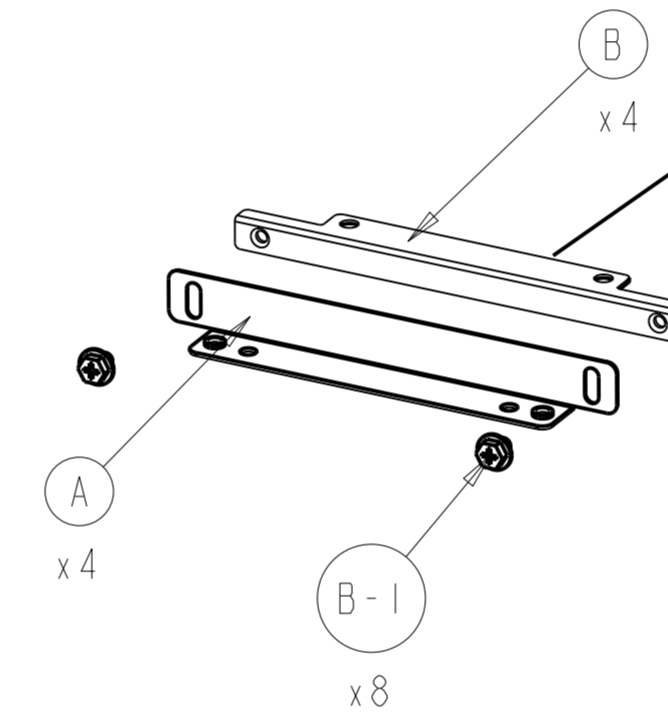
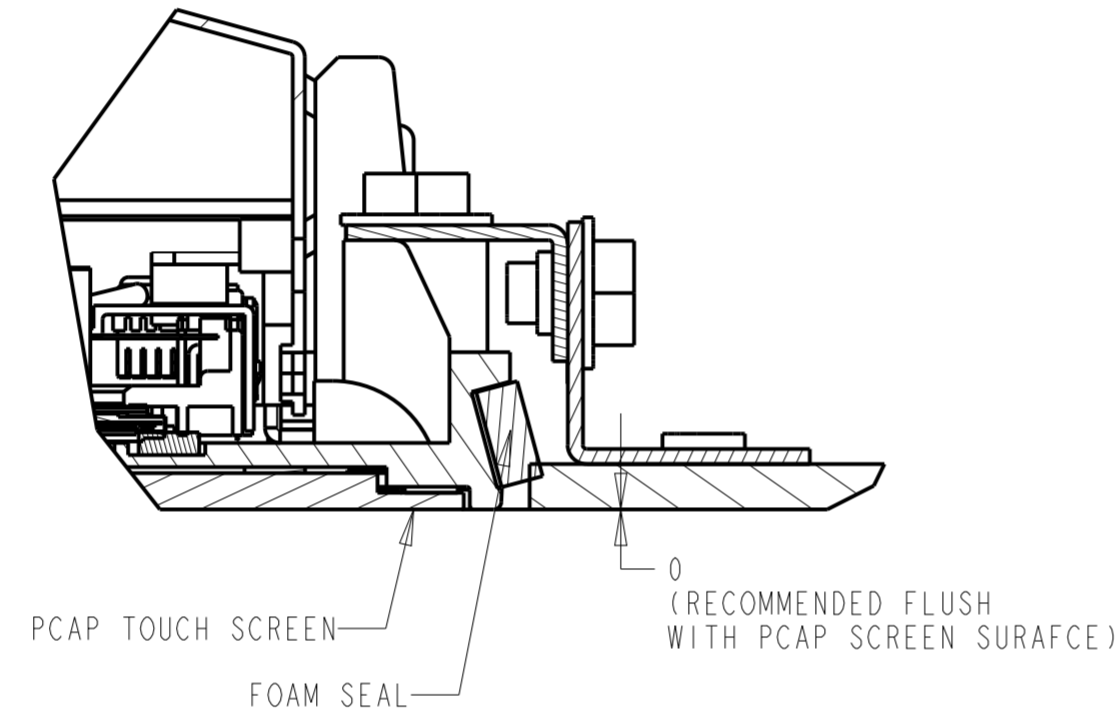
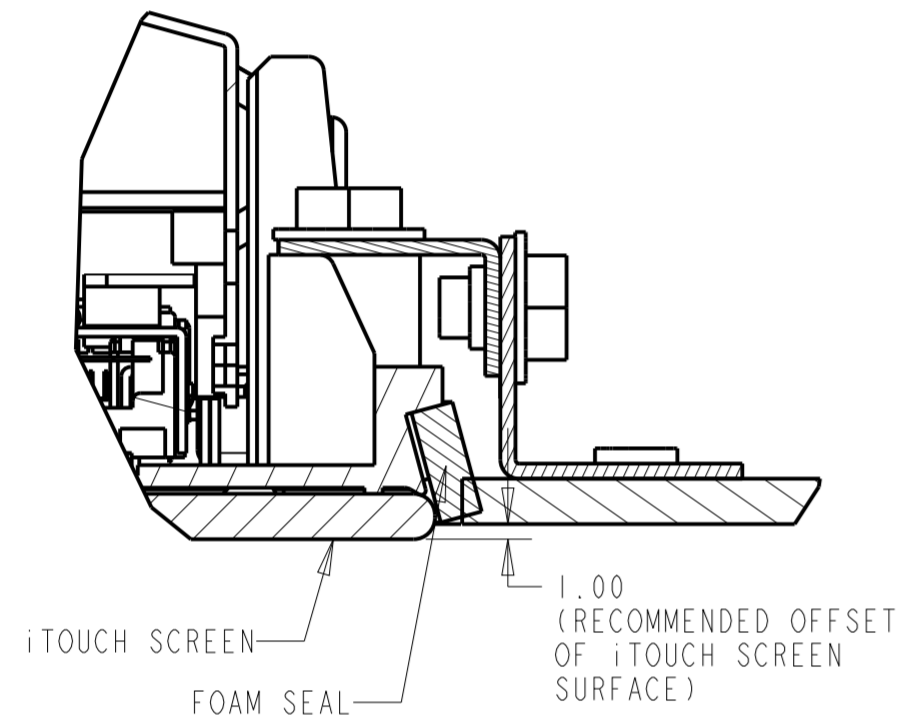
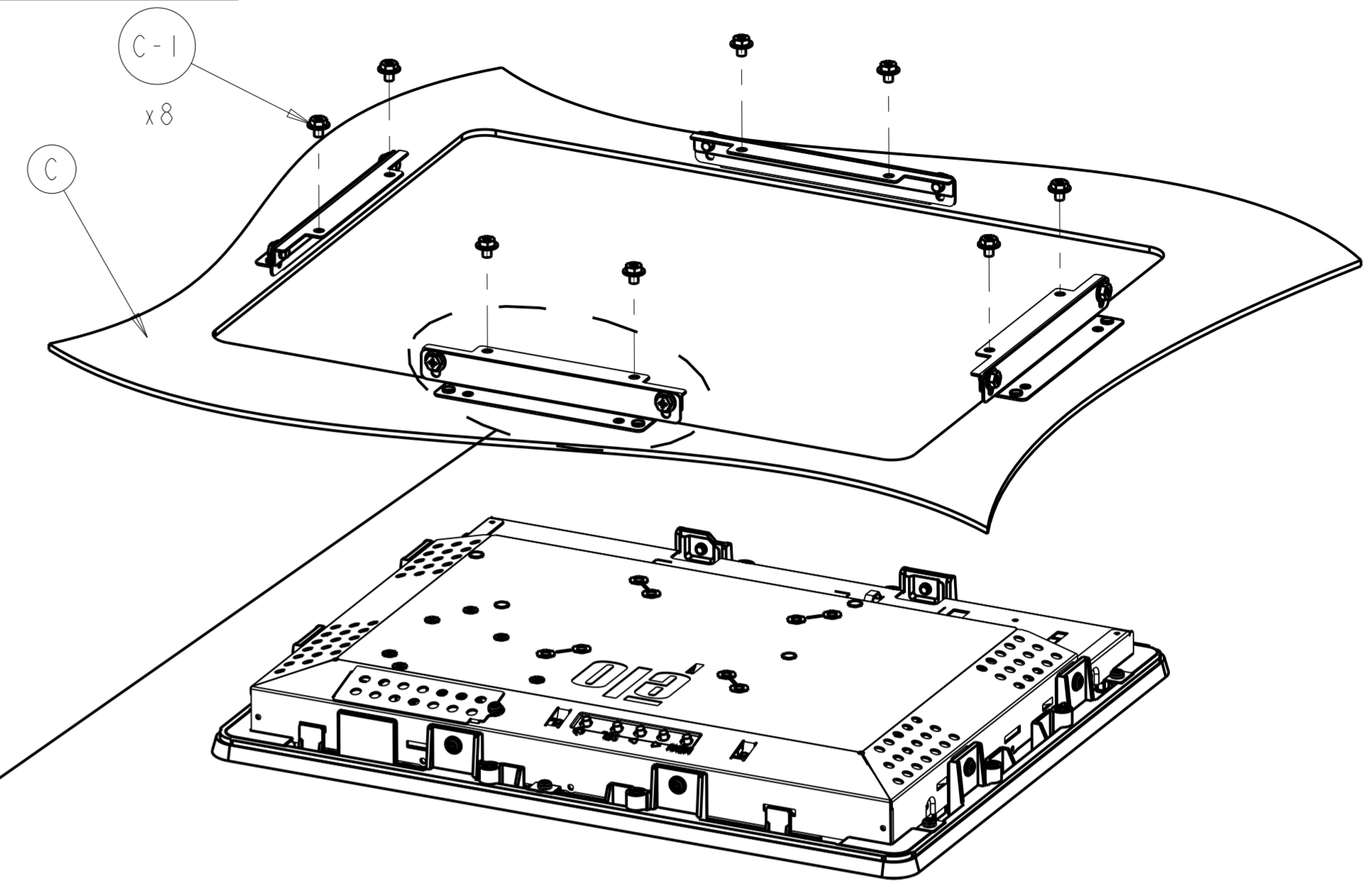
PCAP MOUNT INSTALLATION



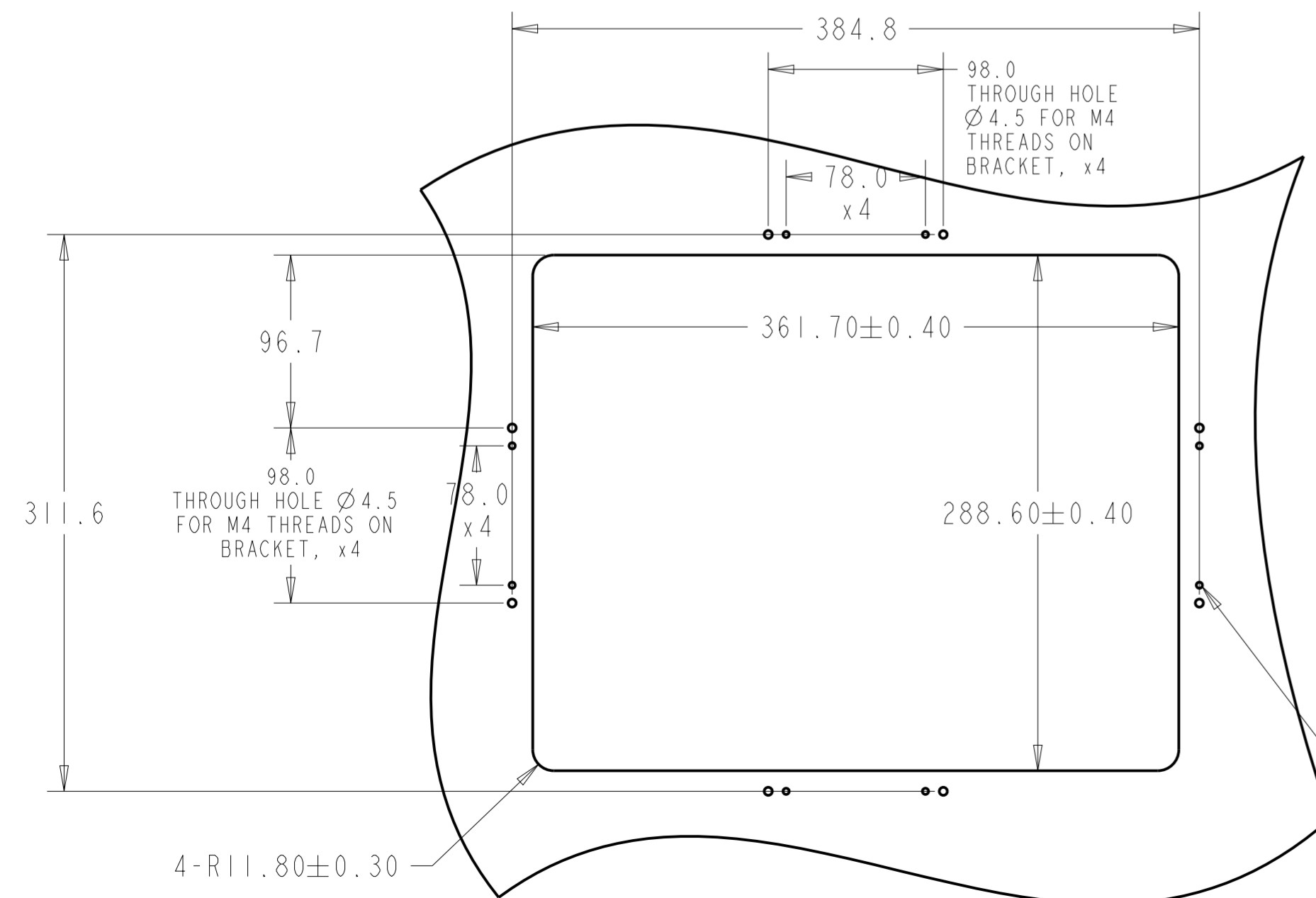
SECTION A-A
SCALE 1.500

INSTALLATION NOTES:

1. ATTACHED BRACKET "A" TO CUSTOMER PANEL "C" PER DRAWING.
2. ATTACHED BRACKET "B" TO BRACKET "A" WITH M4 HEX HEAD SCREWS "B-1" (INCLUDED).
3. PLACE TOUCH MONITOR INTO CUSTOMER PANEL OPENING, TAKING CARE NOT TO DAMAGE FOAM SEAL.
4. FOR iTOUCH MODELS, ADJUST DEPTH OF BRACKETS "B" SO MONITOR IS SLIGHTLY PROTRUDED OF CUSTOMER PANEL (1MM).
FOR PCAP MODELS, ADJUST DEPTH OF BRACKETS "B" SO MONITOR IS FLUSH WITH CUSTOMER PANEL.
5. SECURE TOUCH MONITOR TO BRACKET "B" + "A" FROM BEHIND WITH M4 HEX HEAD SCREWS "C-1" (INCLUDE).



RECOMMENDED CUSTOMER PANEL CUT-OUT



CUSTOMER PANEL:
MIN THICKNESS = 3mm
MAX THICKNESS = 9mm

MOUNTING HOLES, x4
IF CUSTOMER PANEL IS METAL,
BLIND HOLE, M4 THREADS

