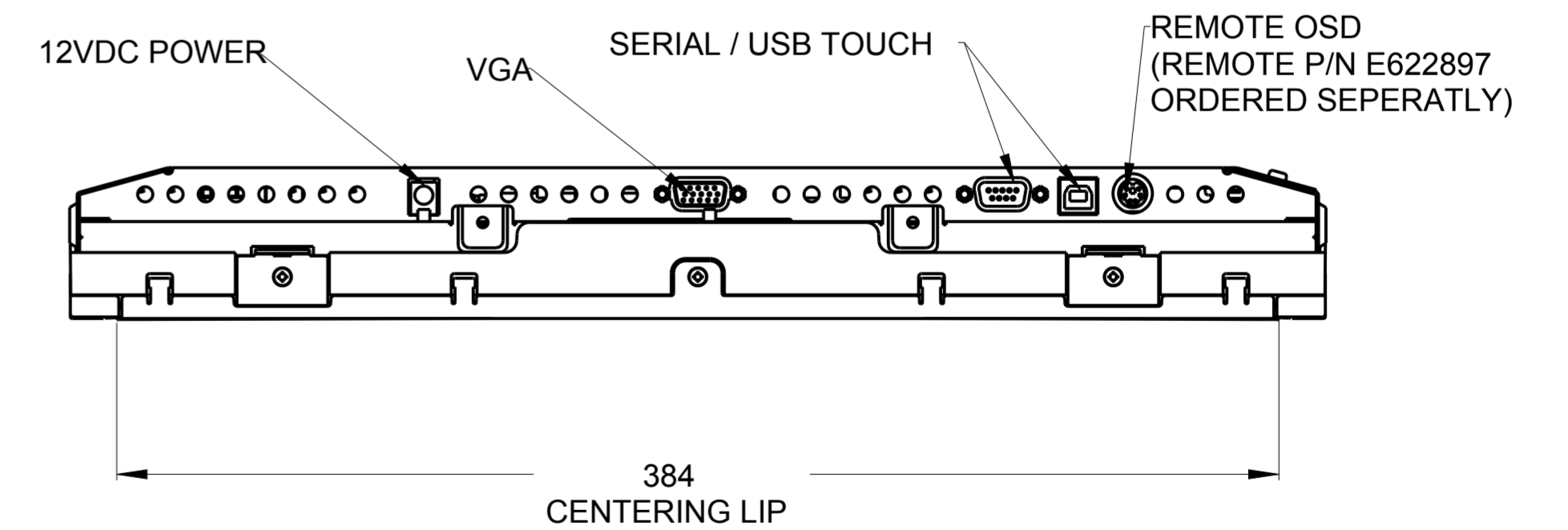
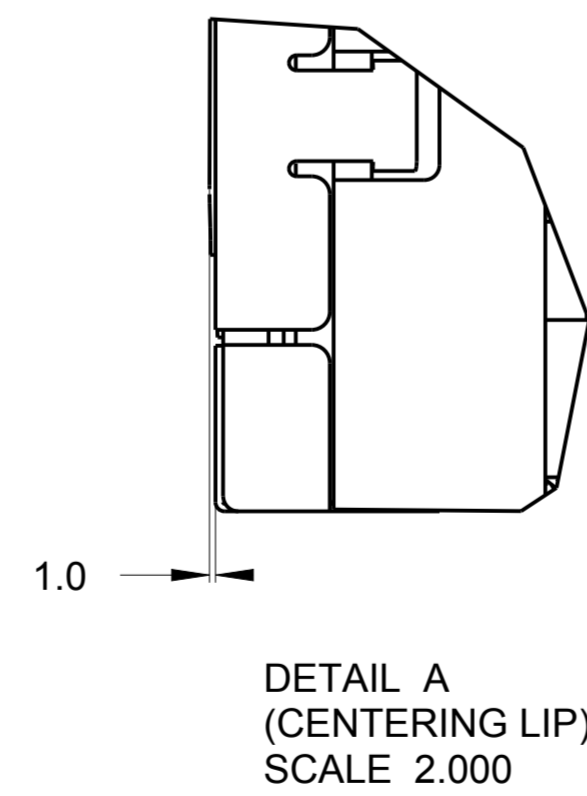
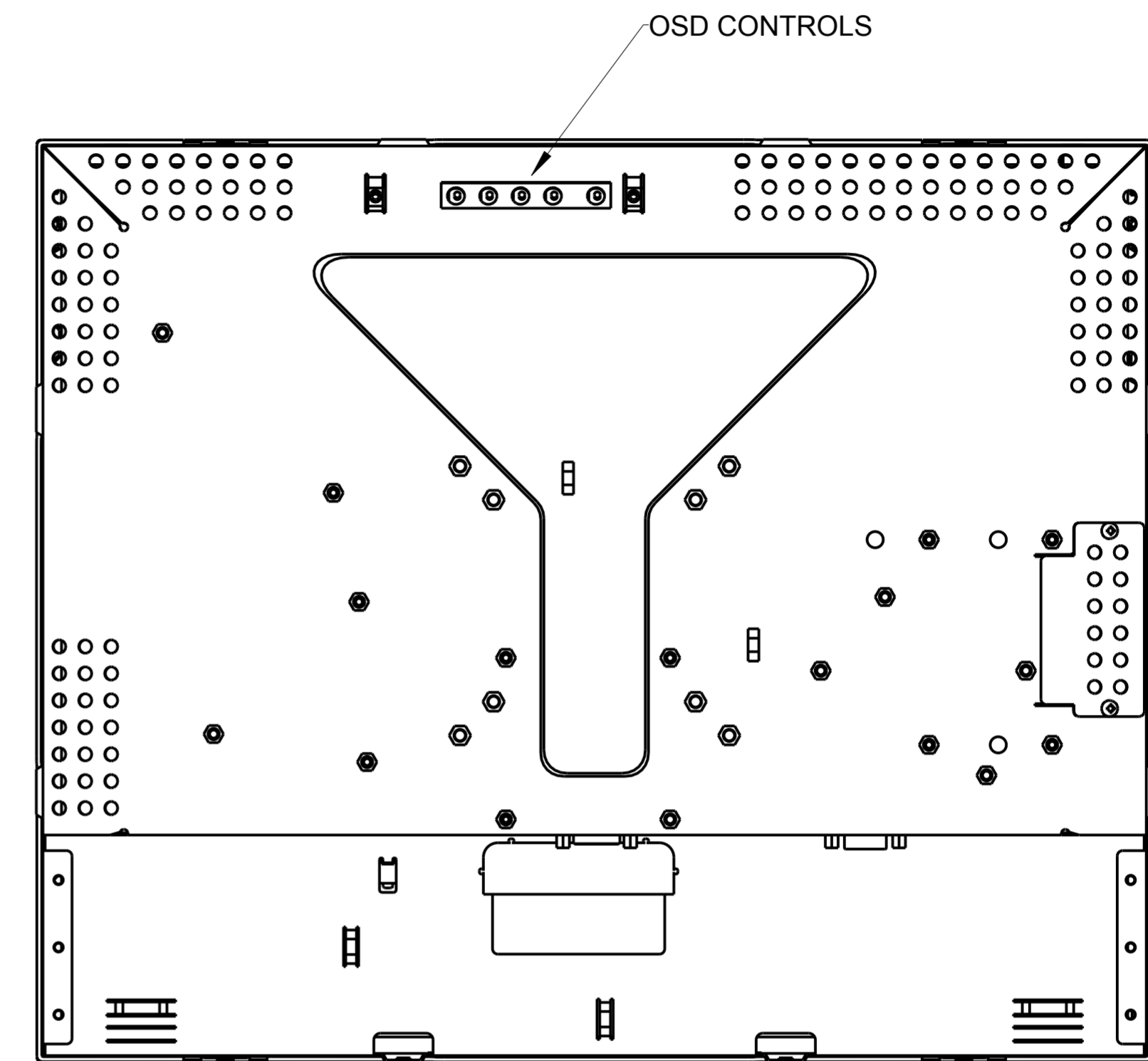
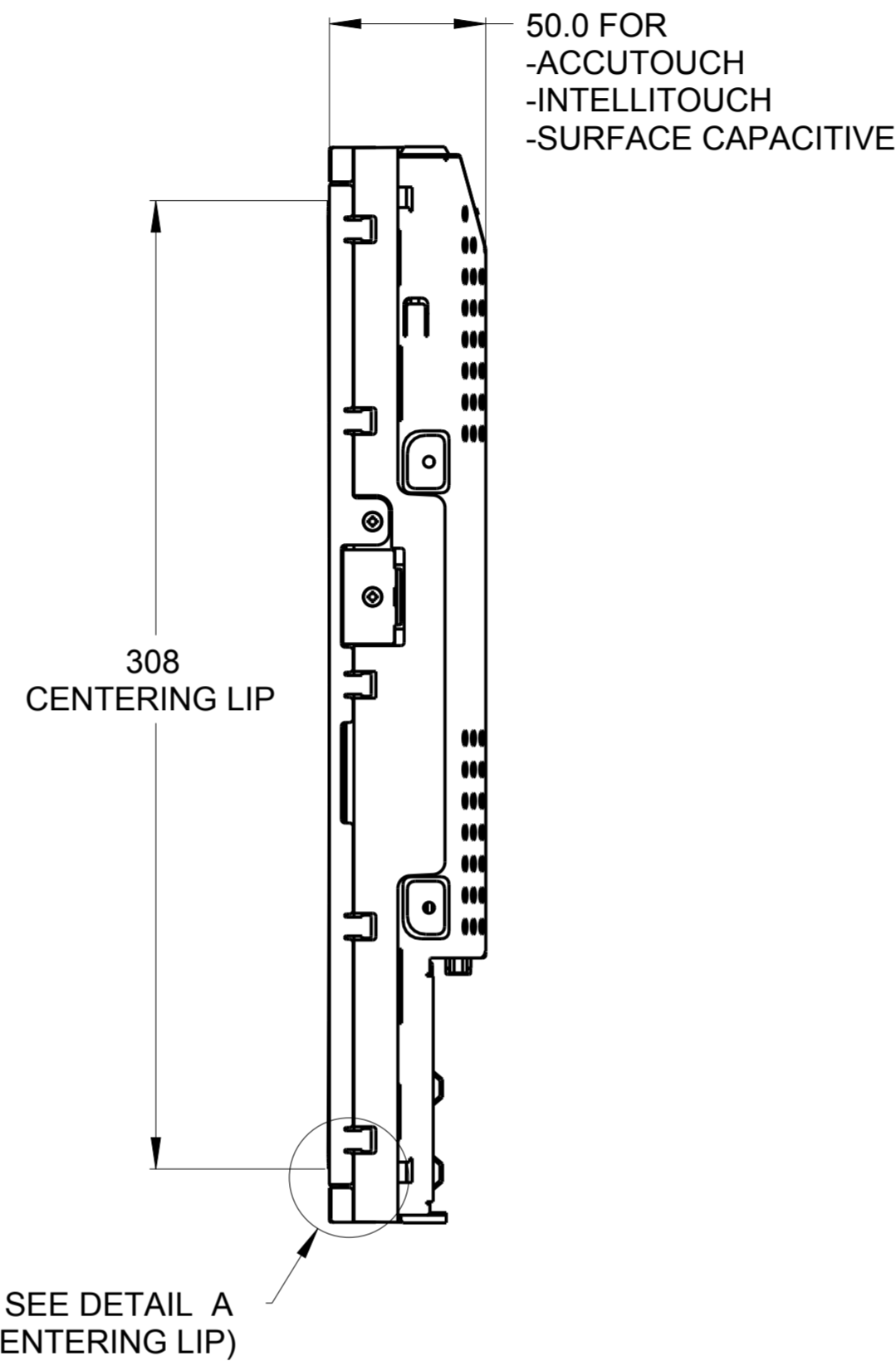
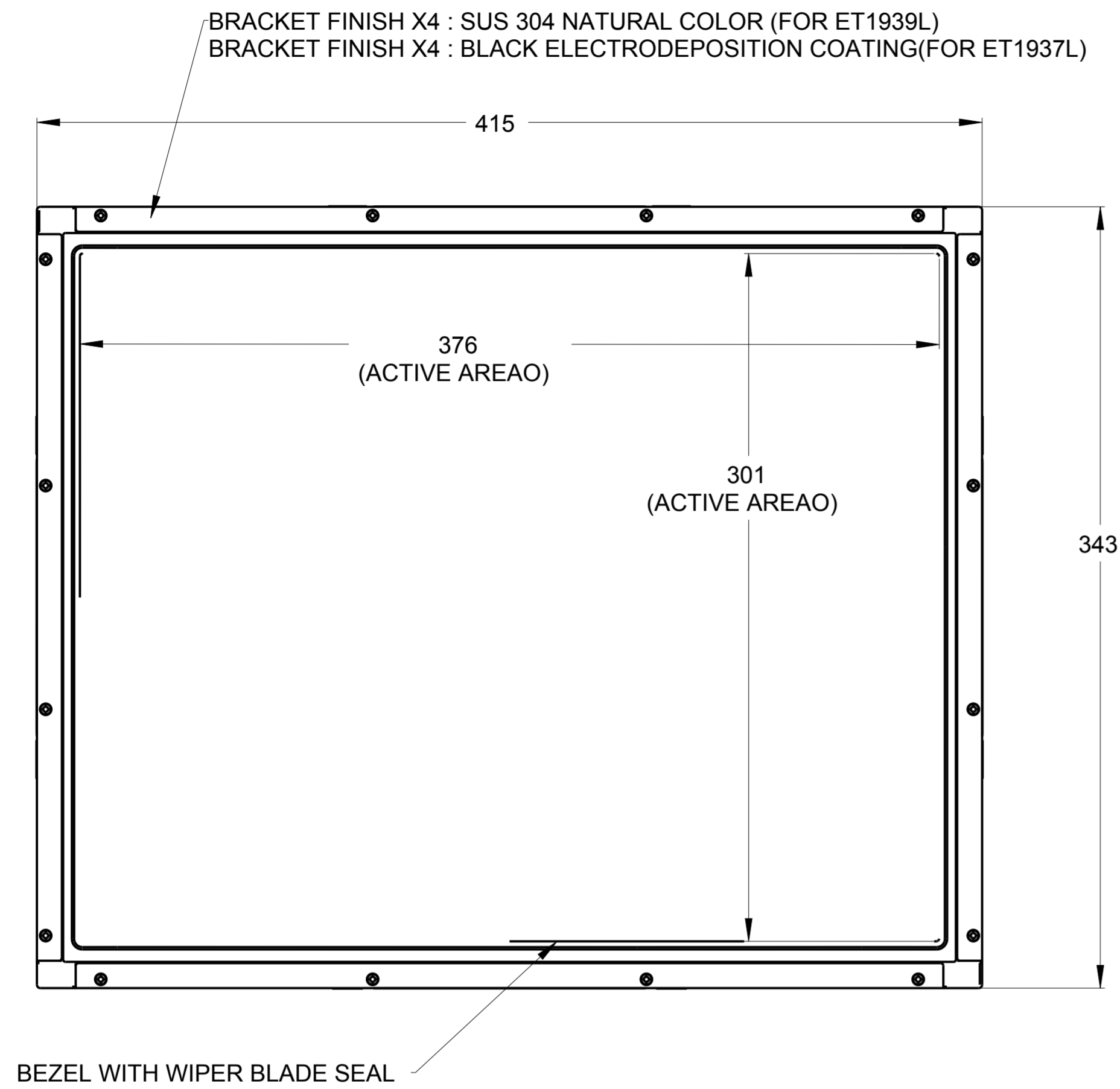
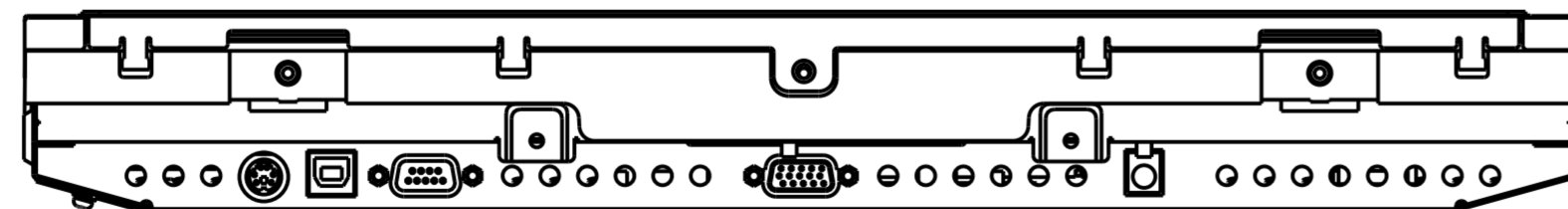
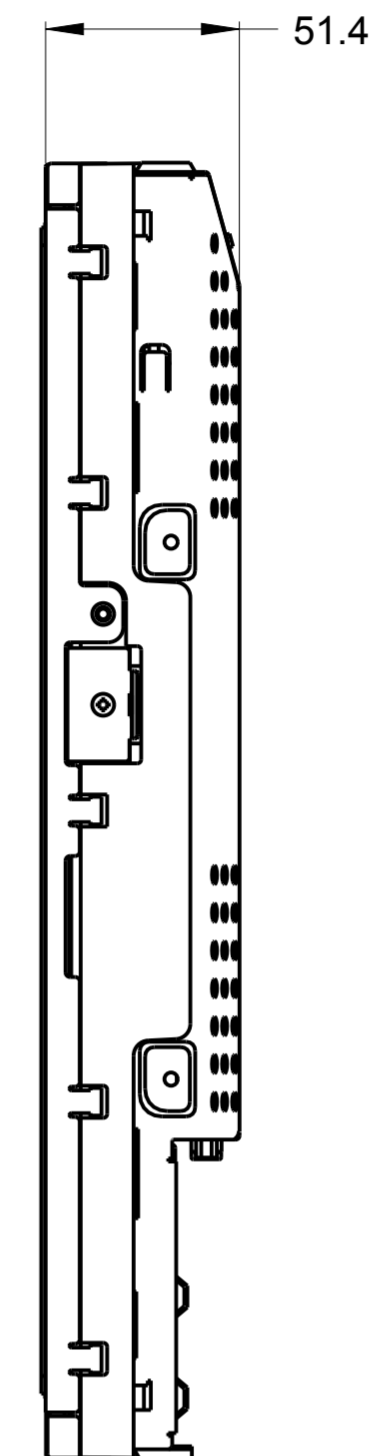
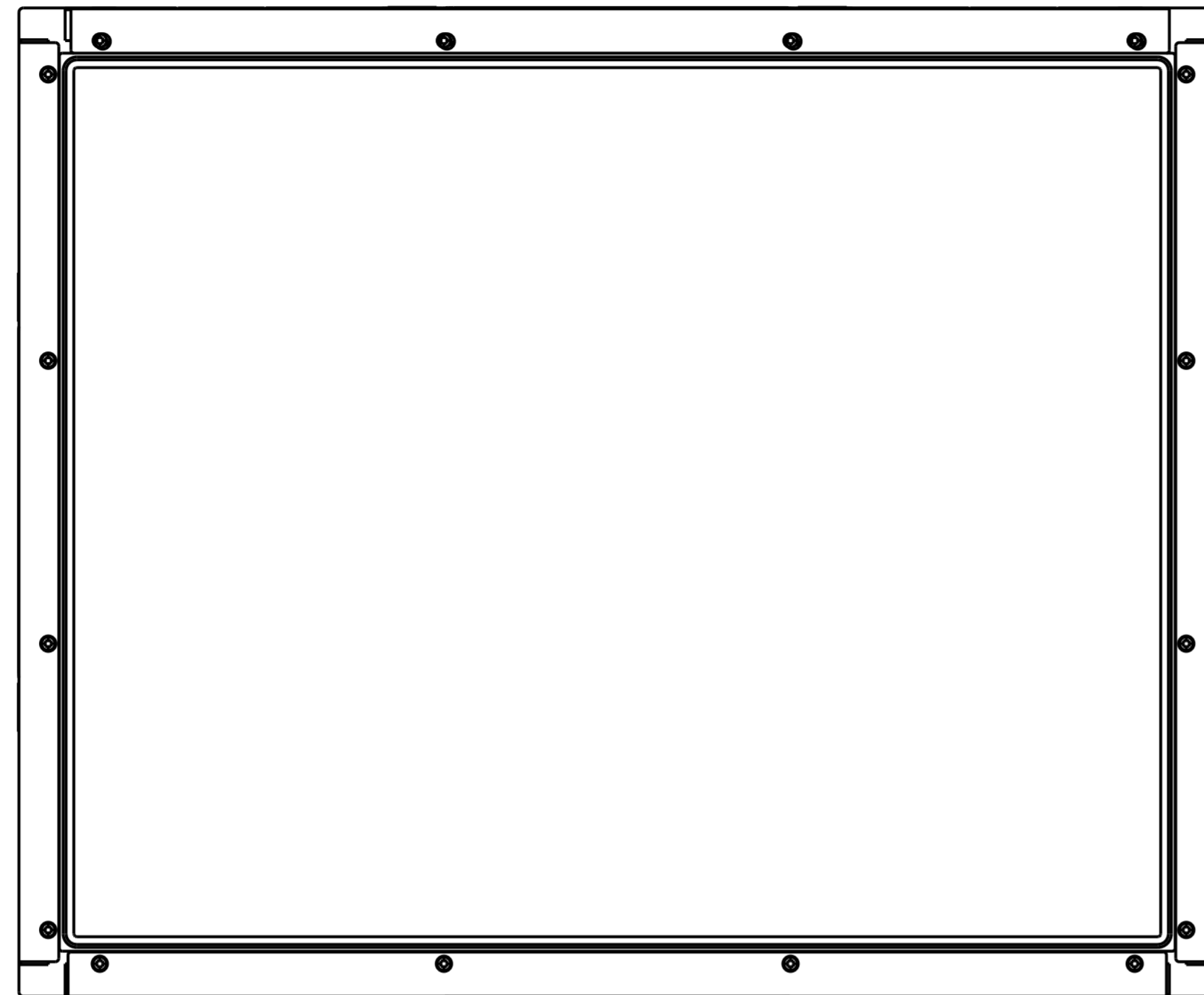


NOTES:
 1. ALL DIMENSIONS +/- 1.0MM UNLESS NOTED
 2. DIMENSIONS SHOW ARE FOR ALL TOUCH TECHNOLOGIES UNLESS NOTED

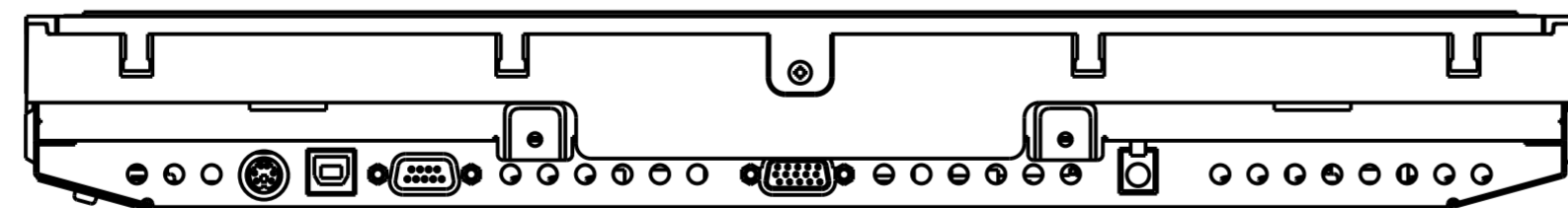
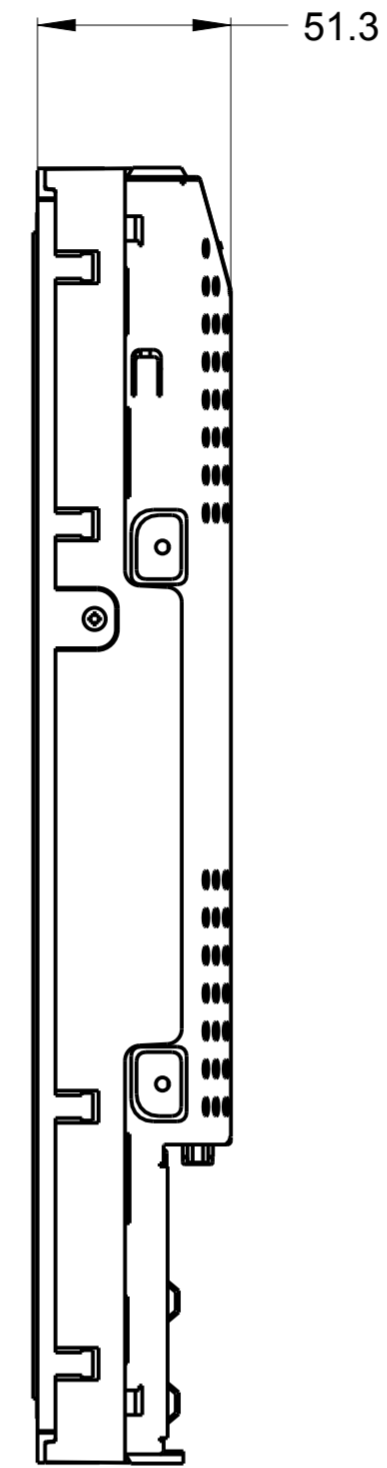
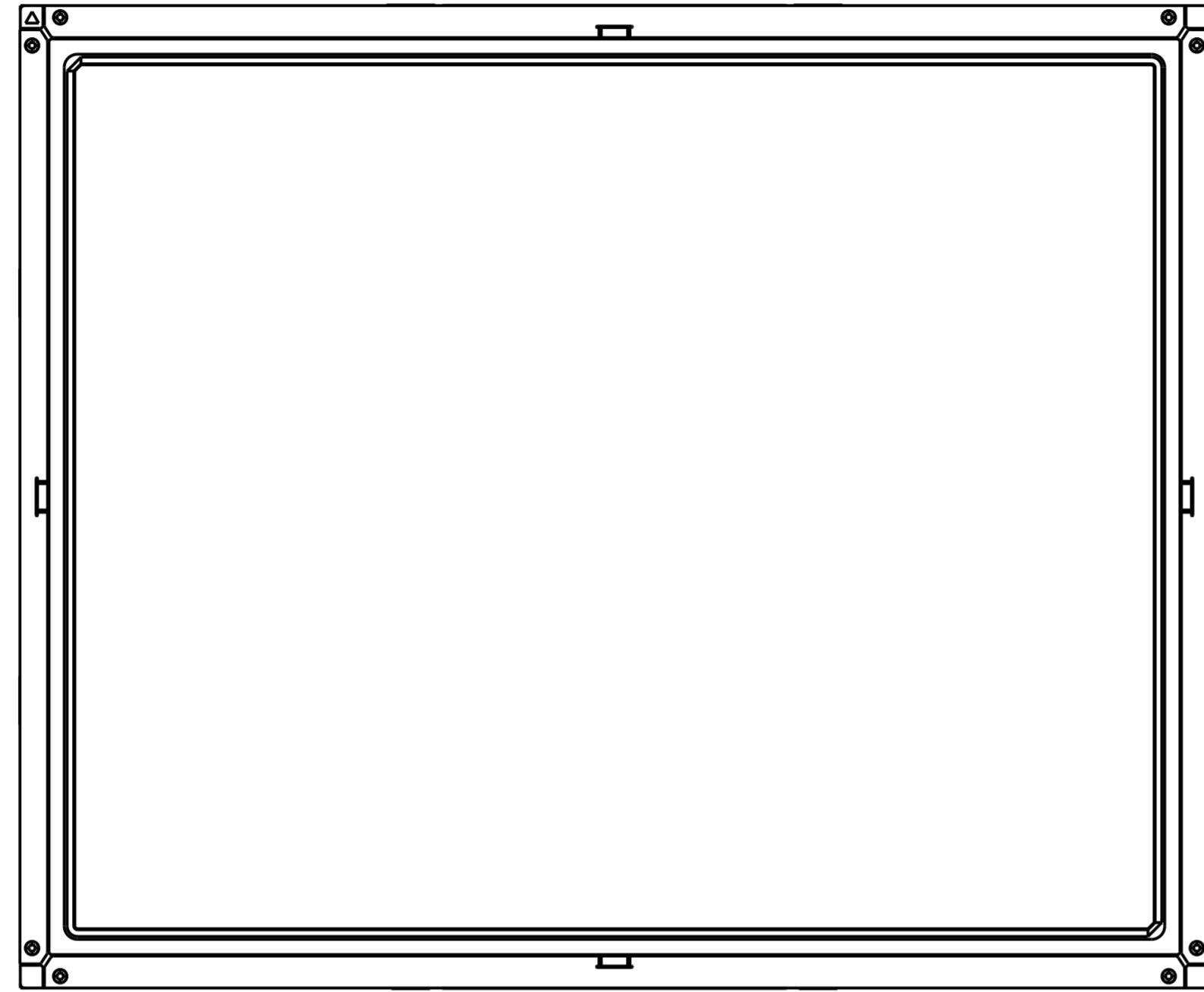
TITLE: ET1939L/ET1937L-XCWA-X



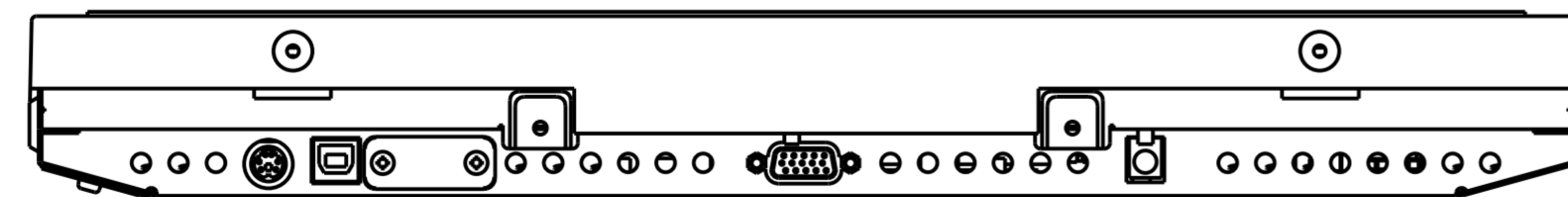
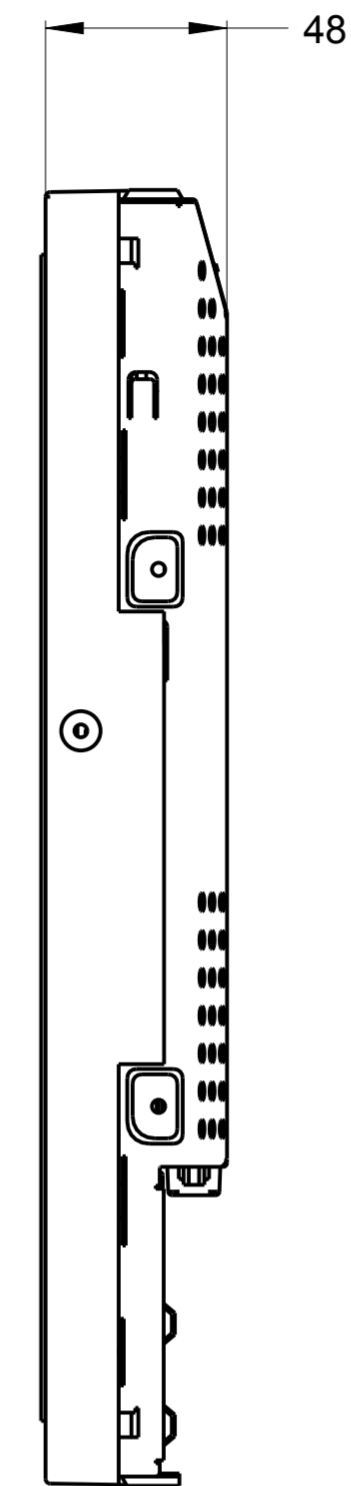
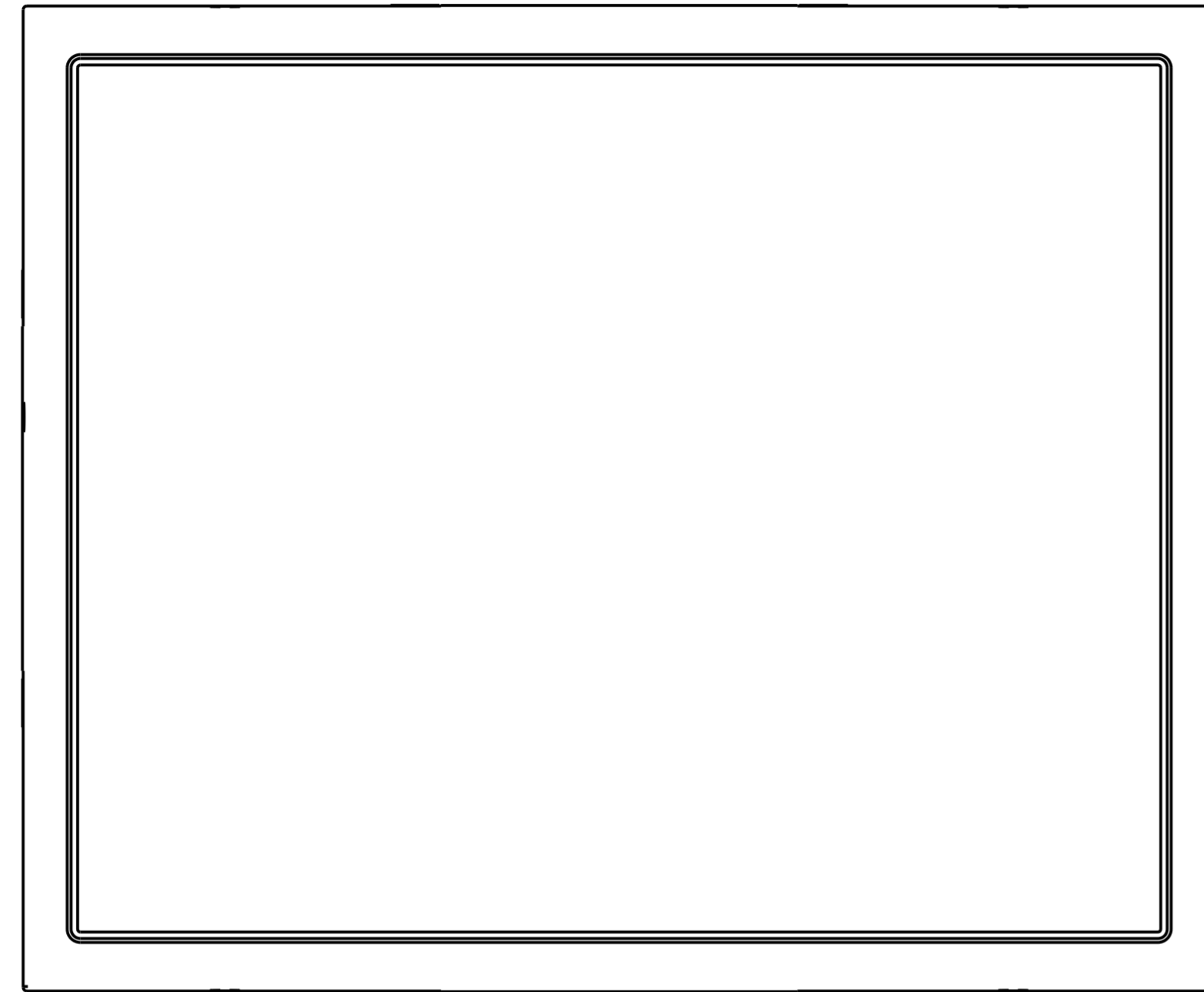
SECURE TOUCH OPTION (FOR ET1939L ONLY)



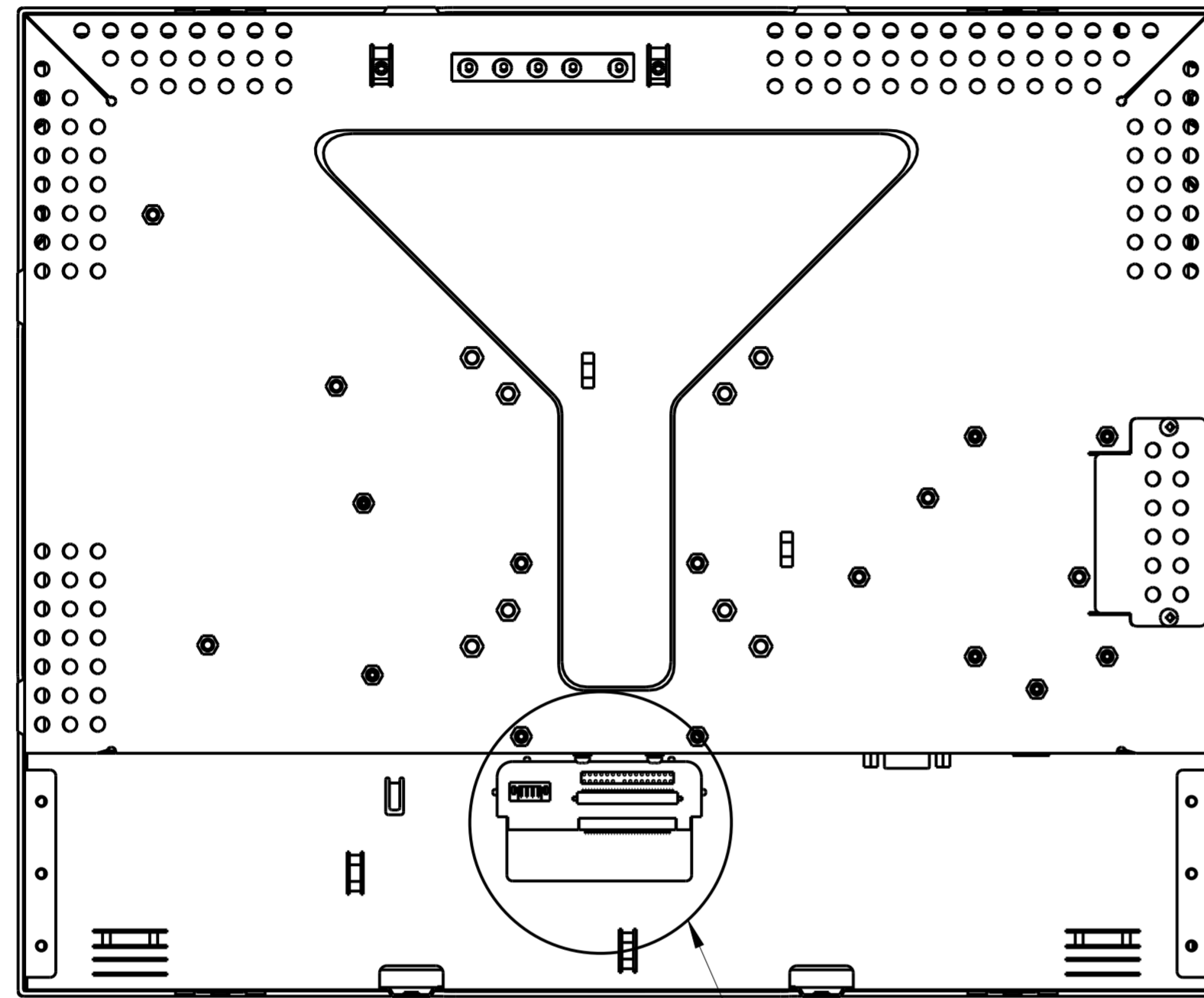
IR OPTION (FOR ET1939L ONLY)



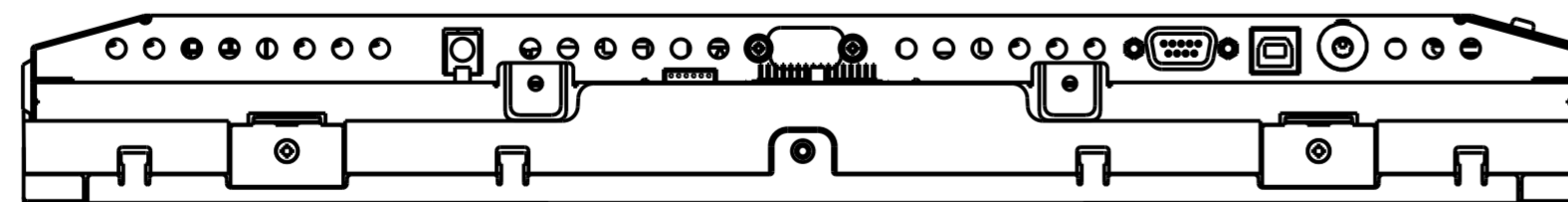
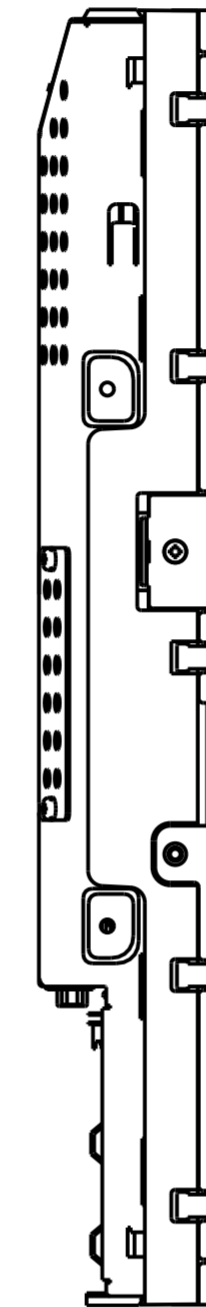
APR OPTION



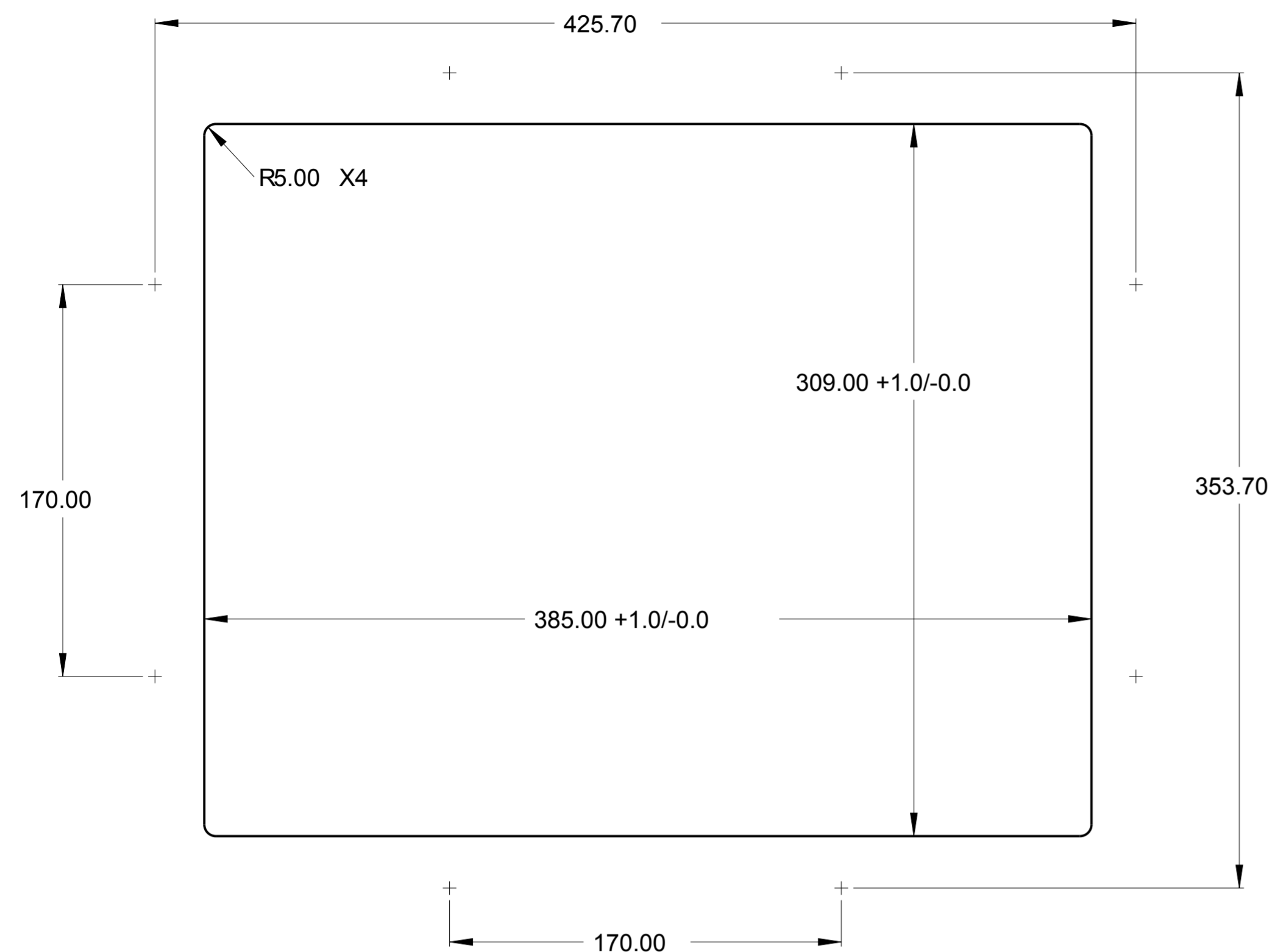
LVDS OPTION (FOR ET1939L ONLY)



SEE USER GUIDE
FOR LVDS CONNECTION DETAILS



RECOMMENDED CUSTOMER
PANEL CUT-OUT (SEE NOTE A)



NOTE A
CUSTOMER PANEL MATERIAL:

1. WOOD: \varnothing 4.5 HOLES THRU FOR M4 SCREWS W/NUTS, OR, NO THRU HOLES, SCREWS FOR WOOD \varnothing 4mm

2. SHEET METAL: CONCEALED HEAD THREADED STUDS M4 W/NUTS.

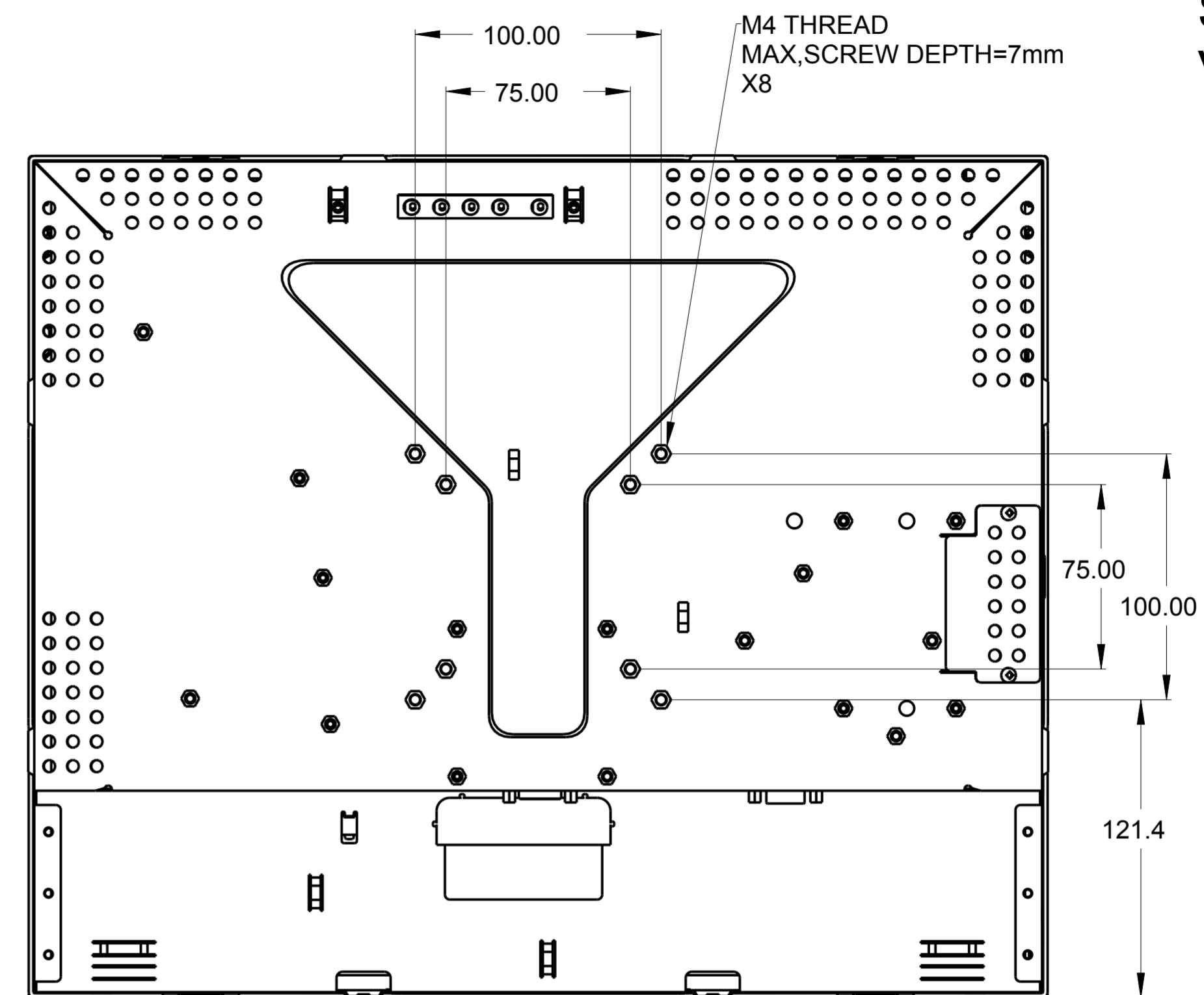
NOTE B
MONITOR INCLUDES 2 BRACKETS. ADDITIONAL BRACKETS AVAILABLE, P/N E147211

NOTE C
33.3mm=SECURE TOUCH
33.2mm=IR
30.2mm=APR

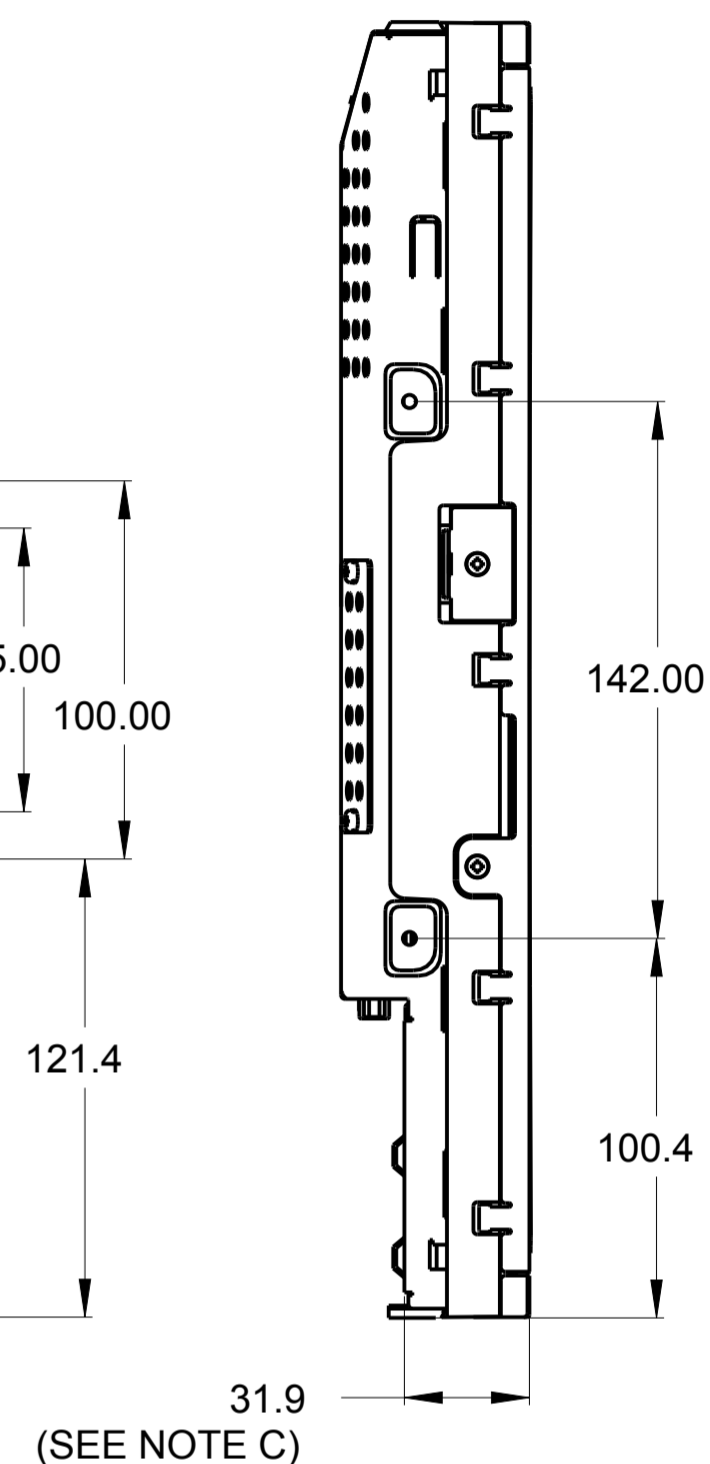
NOTE D
15.9mm=SECURE TOUCH
15.8mm=IR
12.5mm=APR

NOTE E
1.6mm=SECURE TOUCH
1.7mm=IR
5.0mm=APR

VESA MOUNT

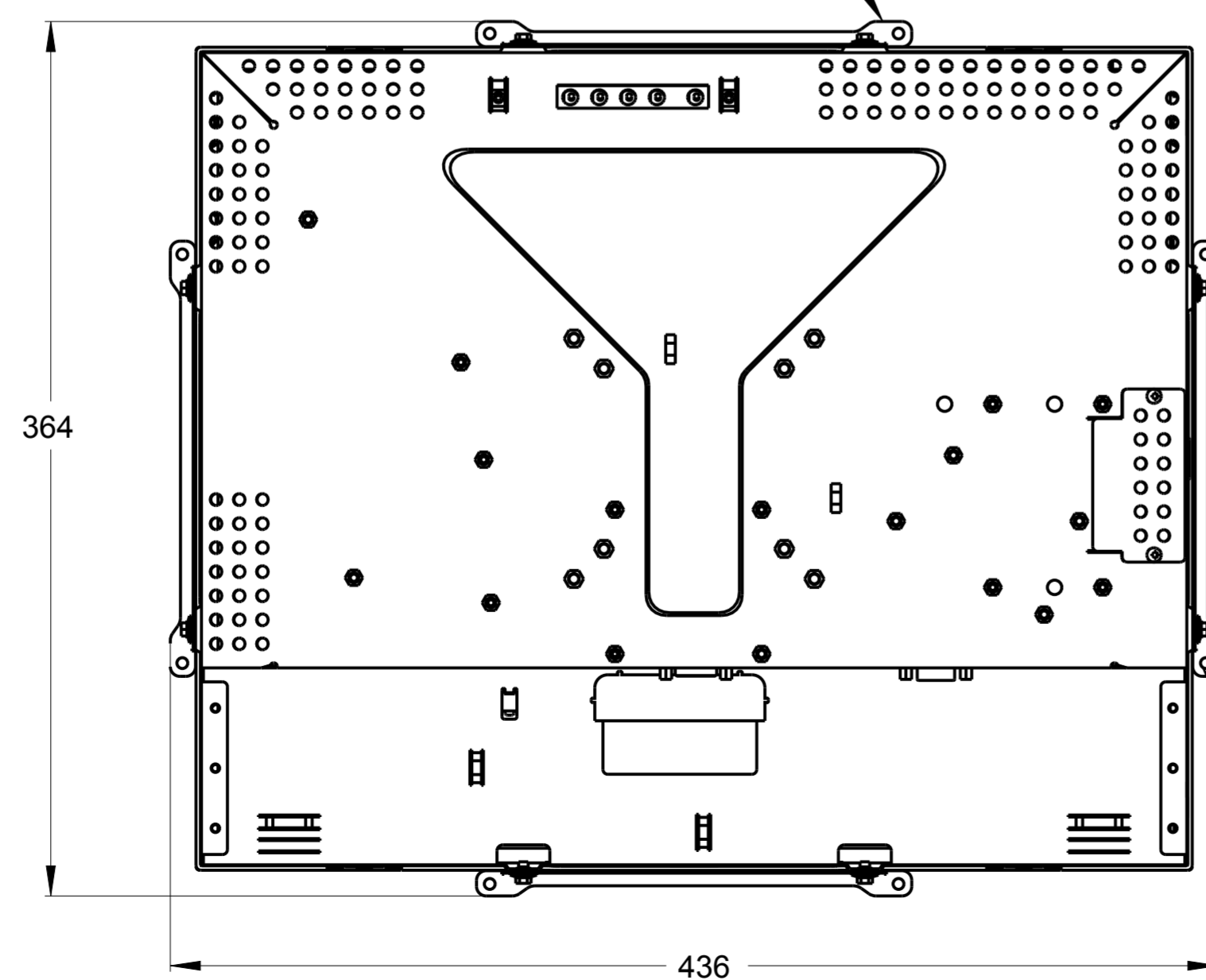


SIDE MOUNT, VERTICAL

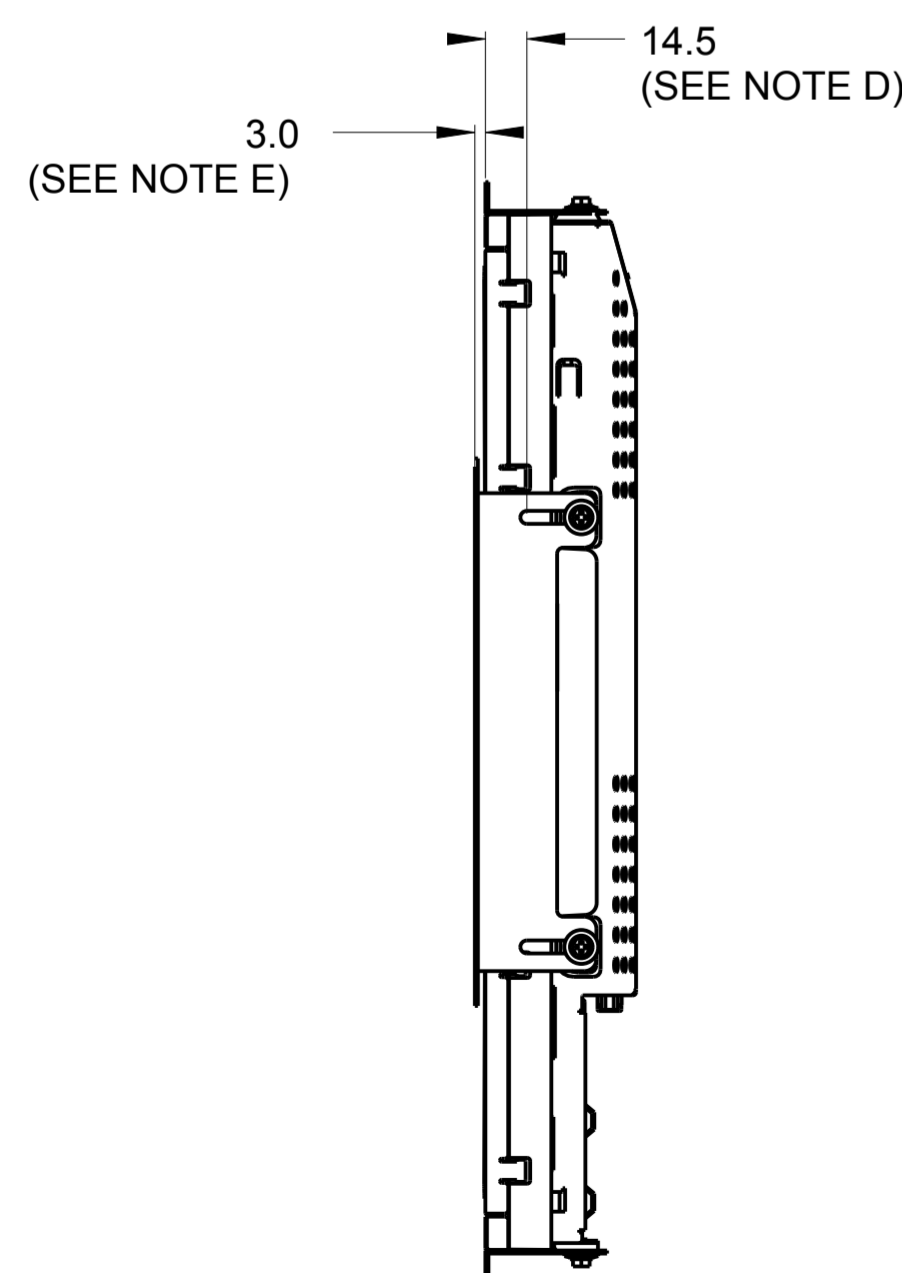


REAR MOUNT WITH BRACKETS, HORIZONTAL AND VERTICAL (SEE NOTE B)

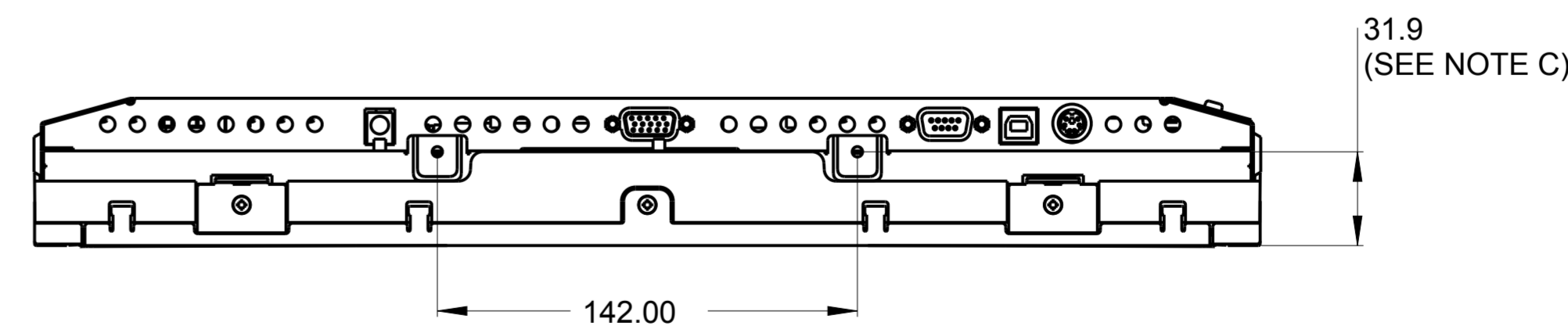
BRACKETS IN HORIZONTAL POSITIONS



MOUNTING BRACKET ADJUSTMENT RANGE



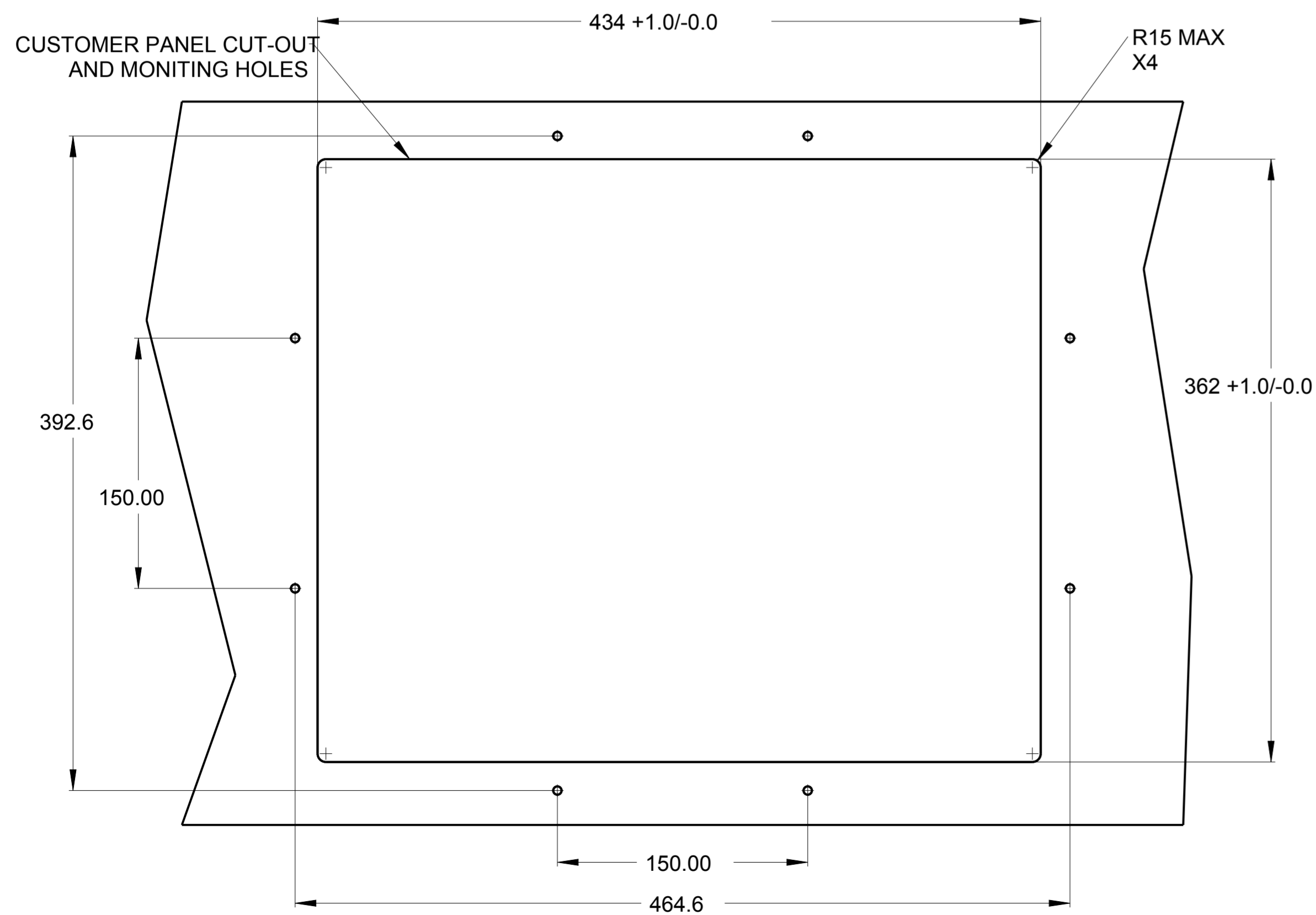
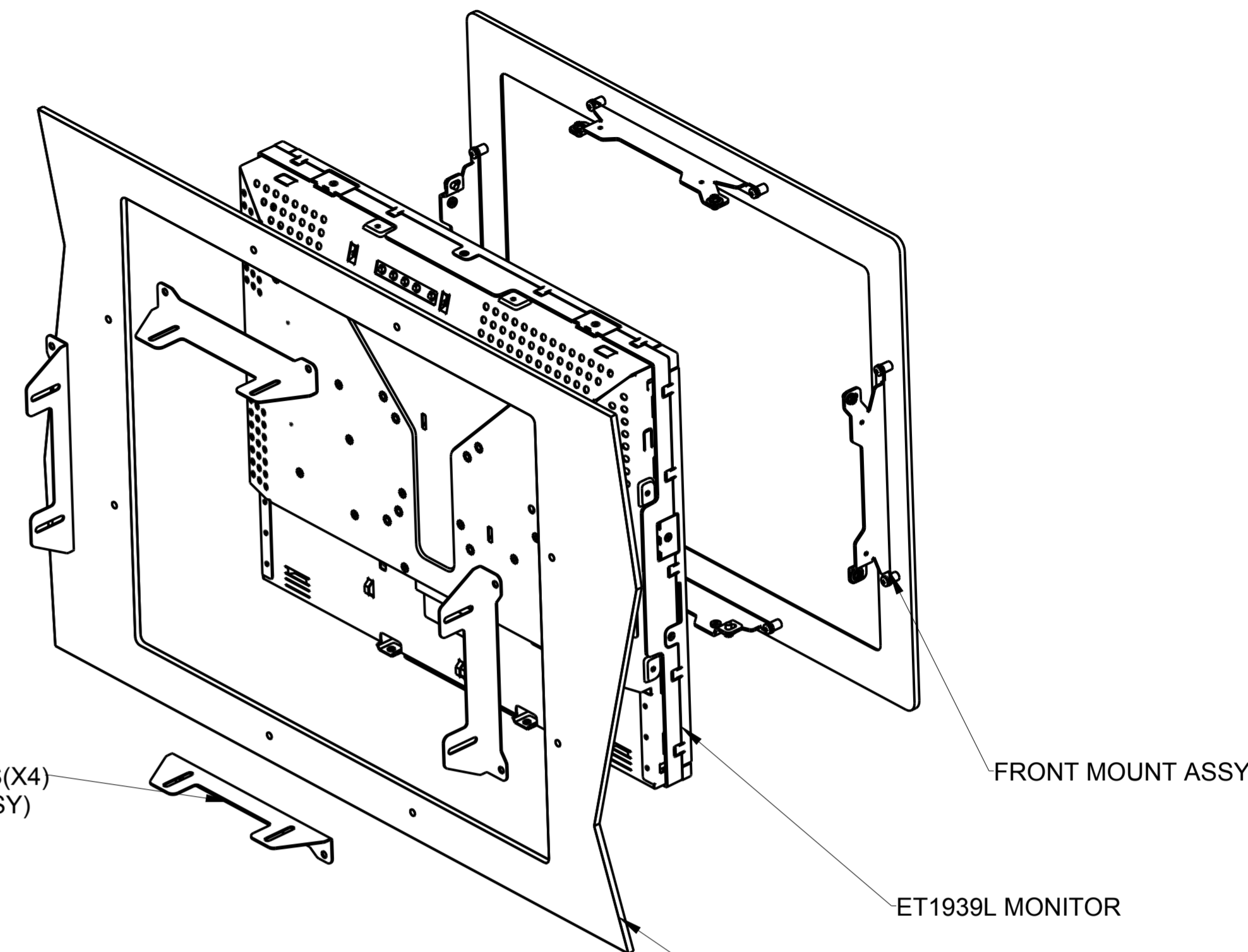
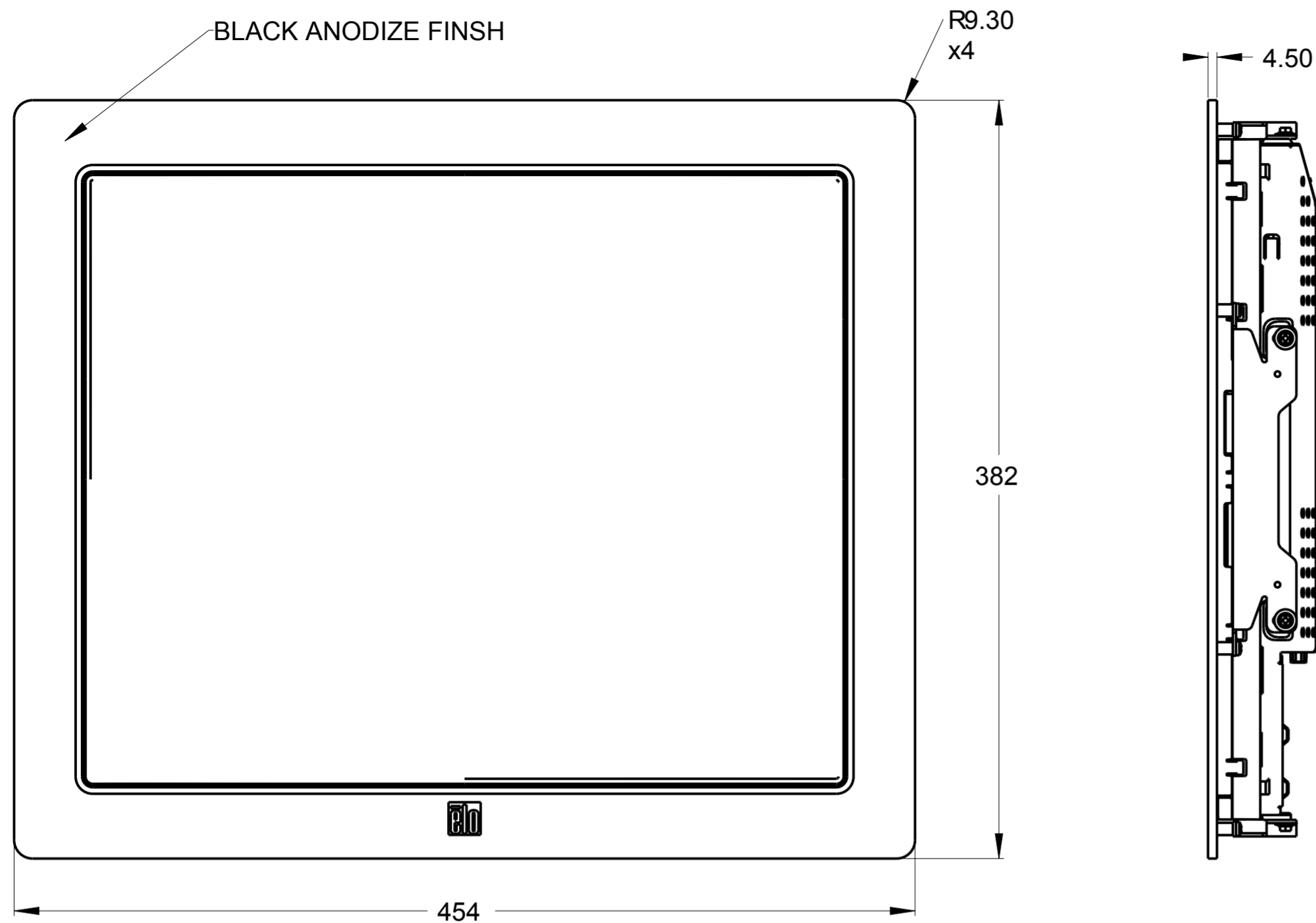
SIDE MOUNT, HORIZONTAL



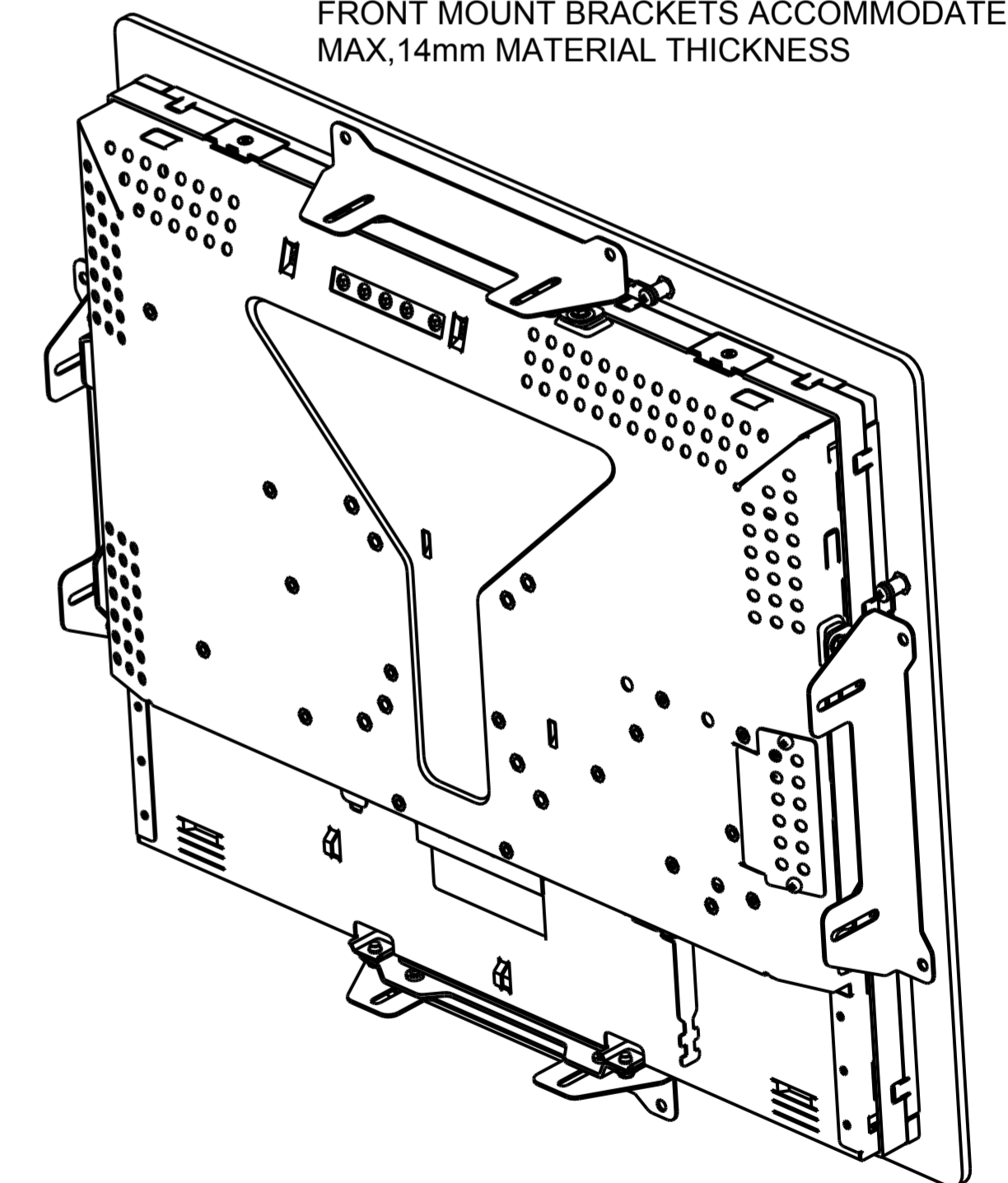
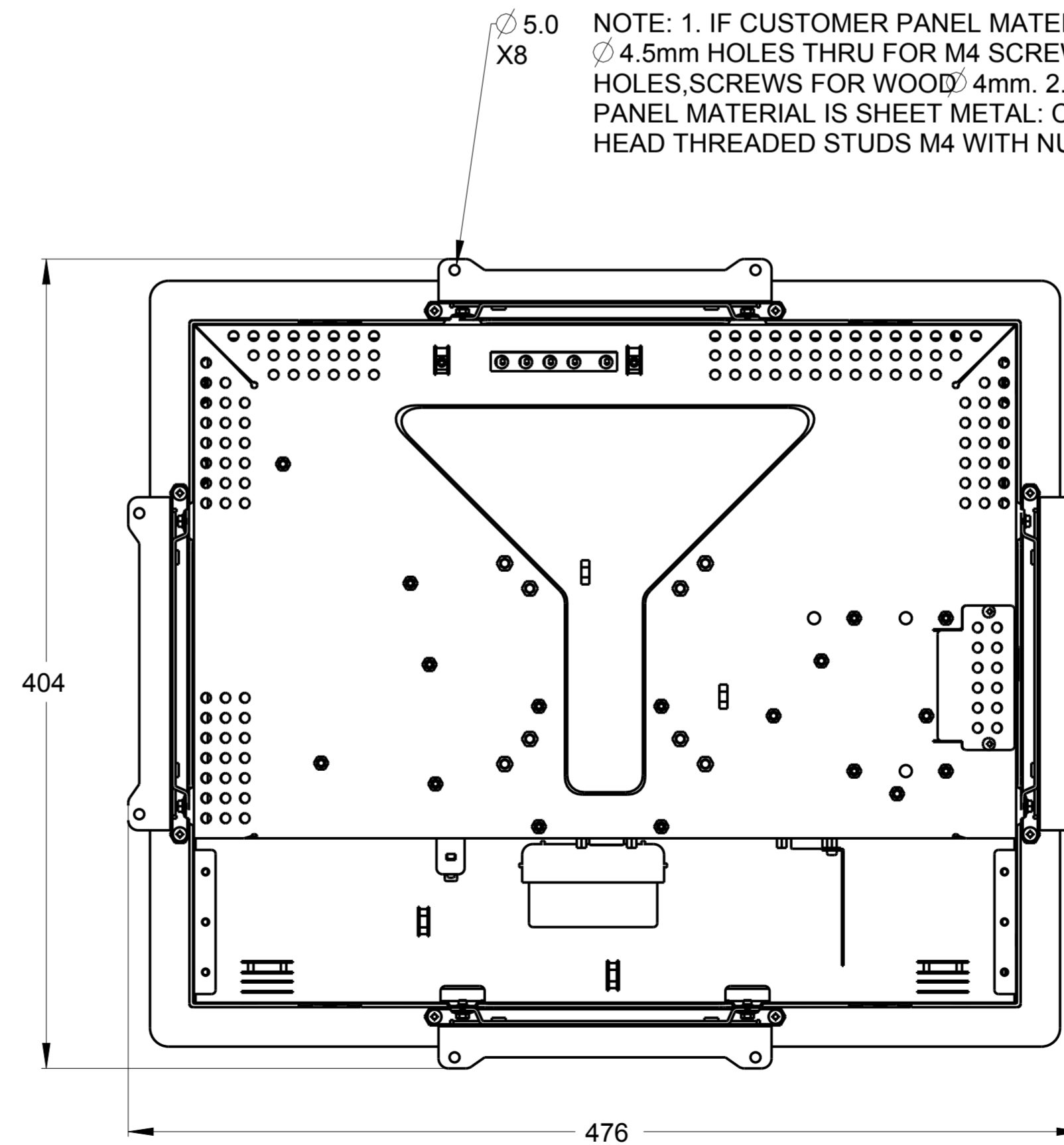
FRONT MOUNT OPTION

P/N E163604

(ORDERED SEPERATLY,CUSTOMER ASSEMBLED)



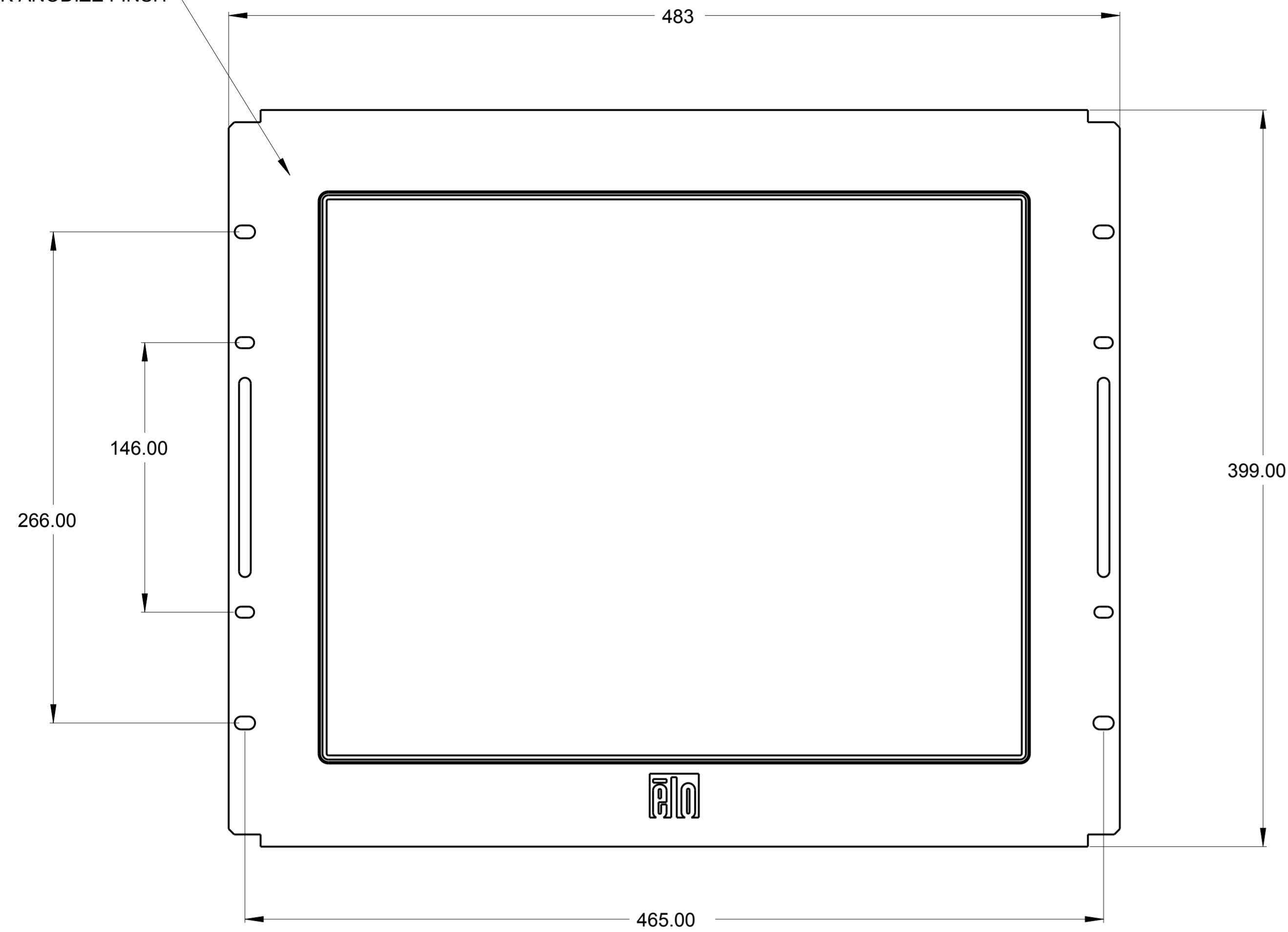
NOTE: 1. IF CUSTOMER PANEL MATERIAL IS WOOD:
 Ø 4.5mm HOLES THRU FOR M4 SCREWS, OR NO THRU HOLES,SCREWS FOR WOOD Ø 4mm. 2.IF CUSTOMER PANEL MATERIAL IS SHEET METAL: CONCEALED HEAD THREADED STUDS M4 WITH NUTS



RACK MOUNT OPTION P/N E579652

(ORDERED SEPERATLY,CUSTOMER ASSEMBLED)

BLACK ANODIZE FINSH



34.9 48~51.4

