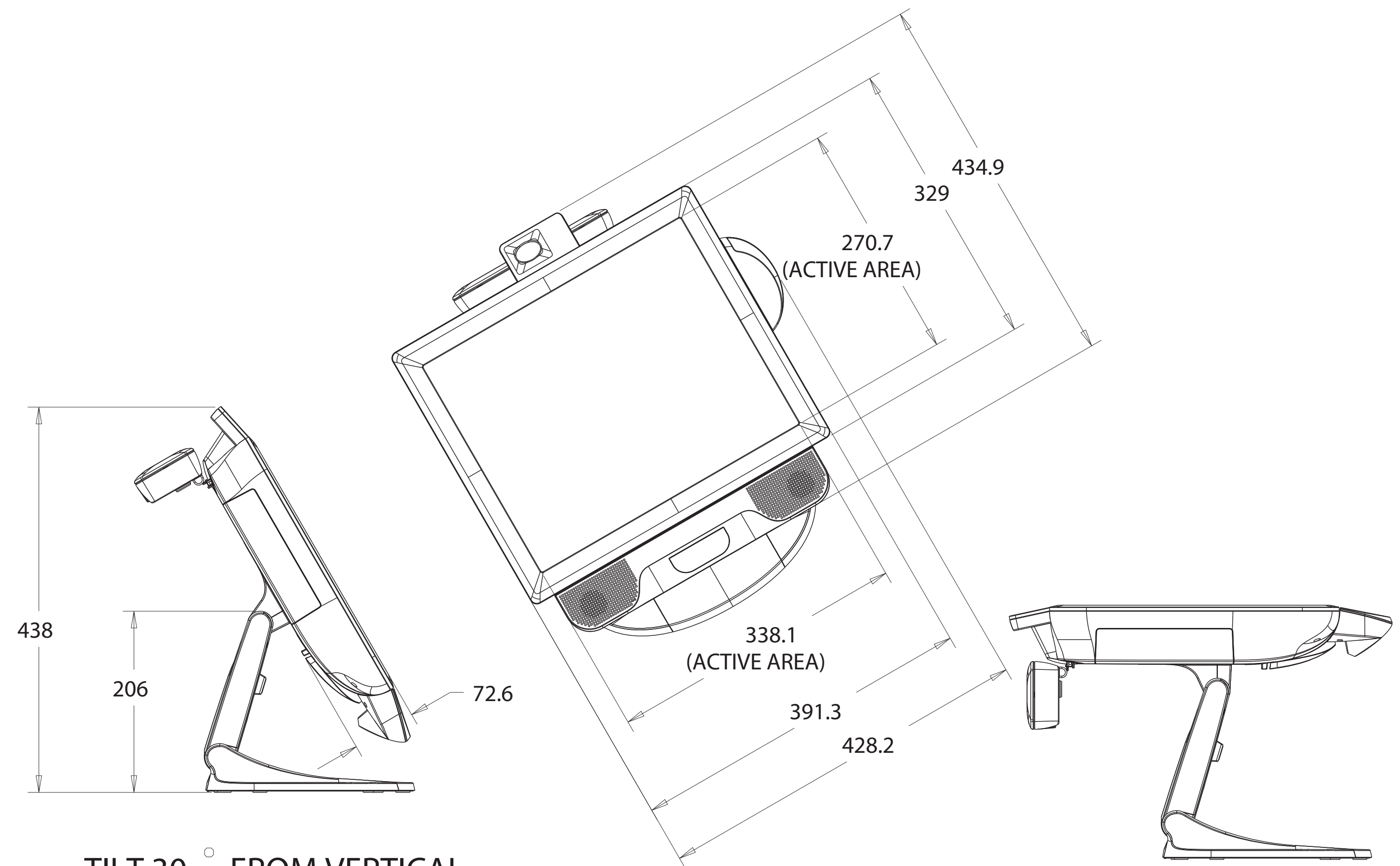
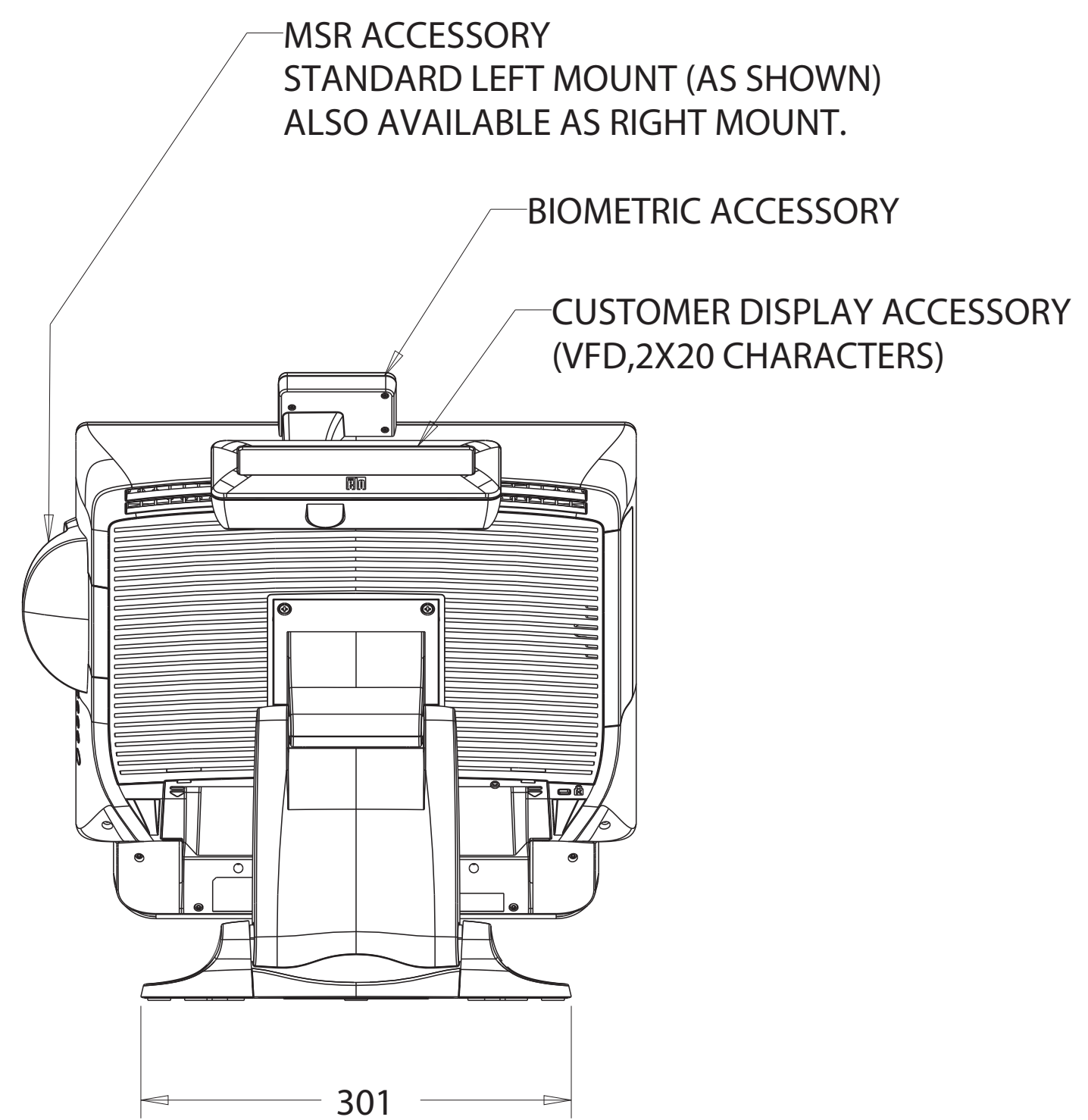
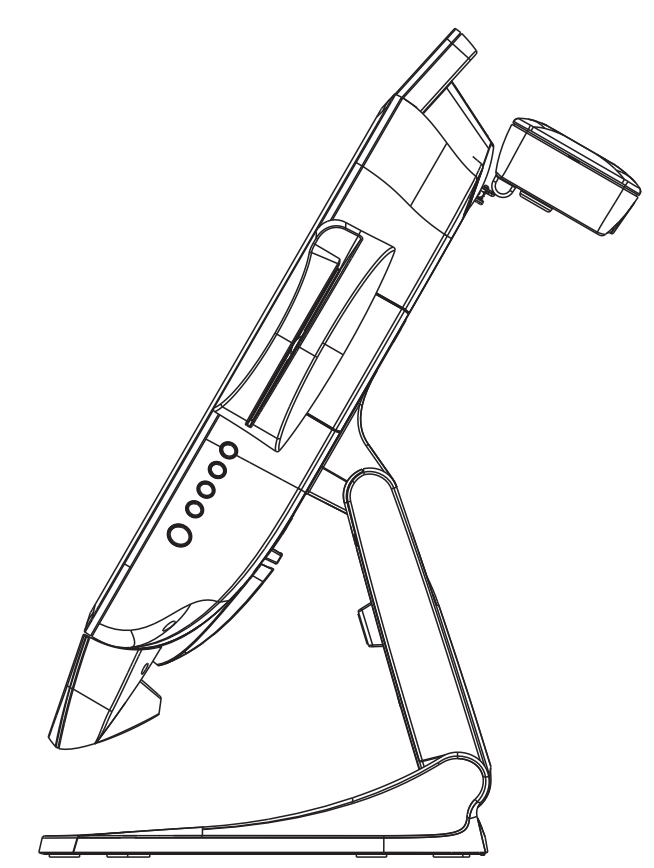
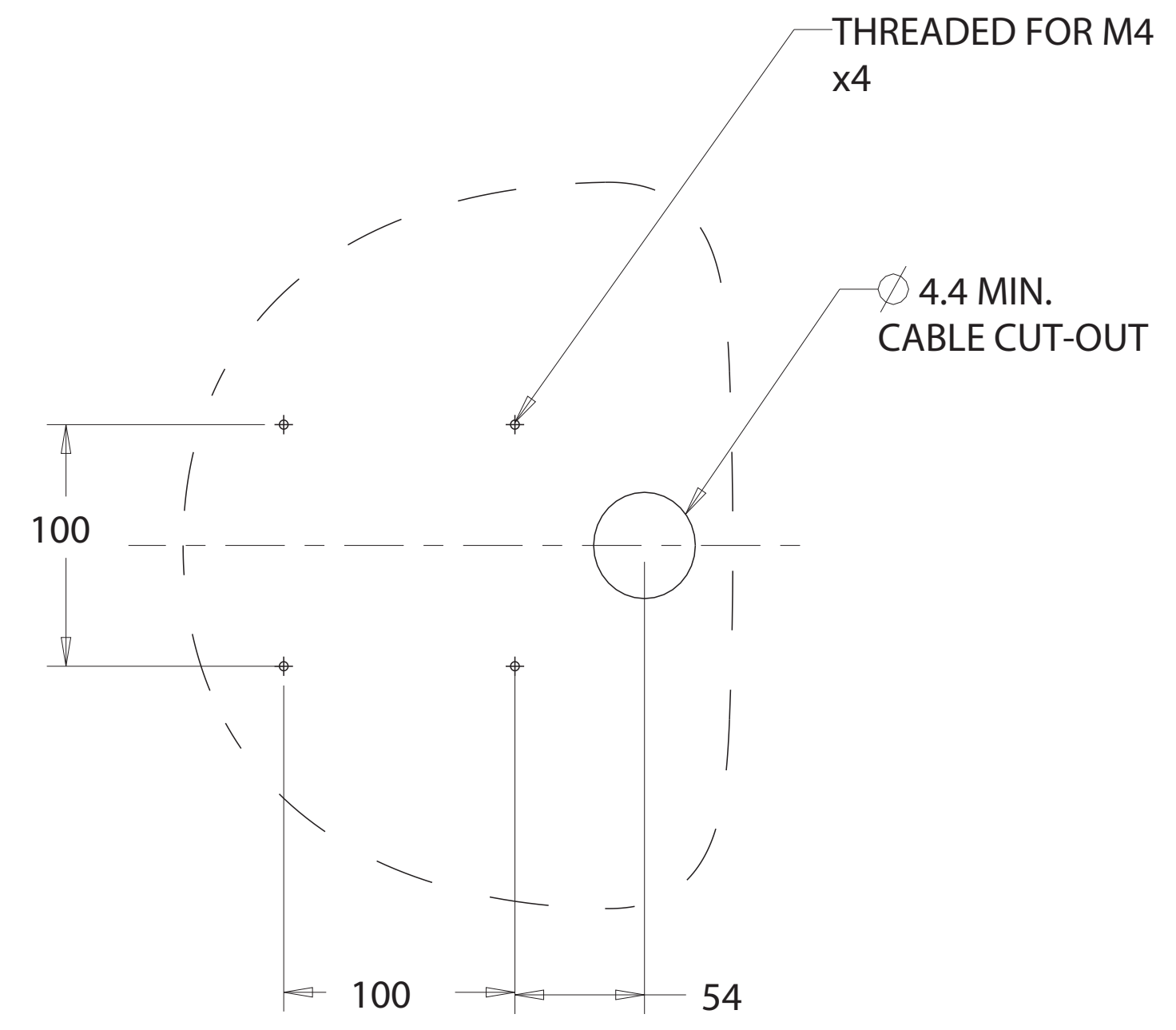
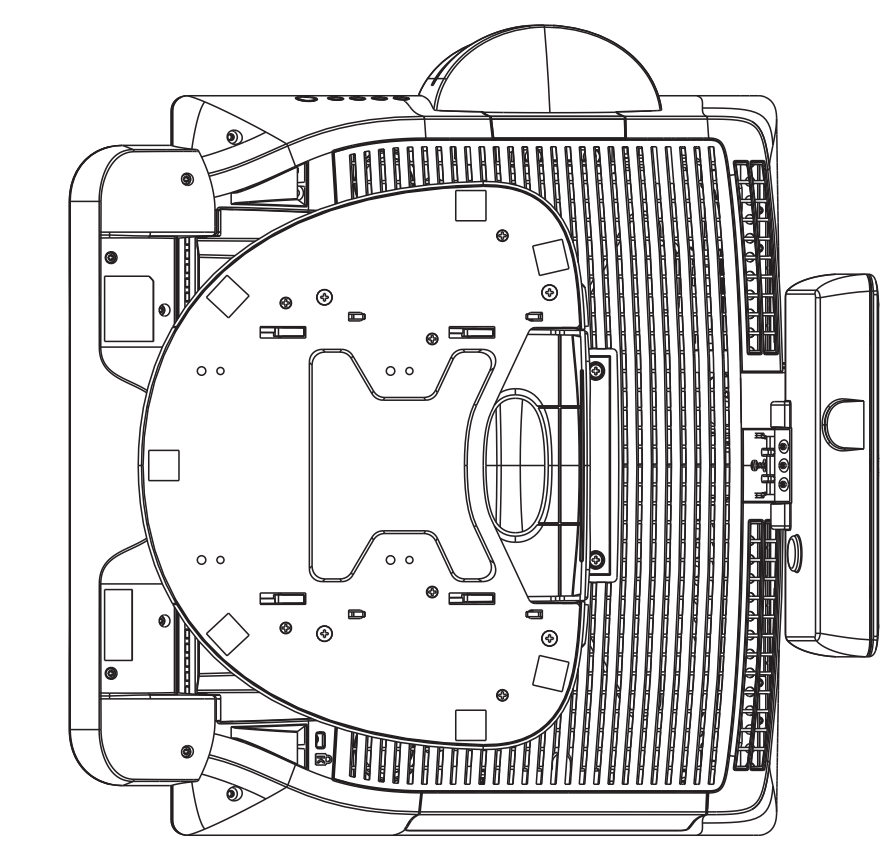


PROPRIETARY TO ELO TOUCH SOLUTIONS, INC. AND SHALL NOT BE DISCLOSED OTHER THAN TO NECESSARY EMPLOYEES OR SUPPLIERS WITHOUT THE EXPRESS WRITTEN CONSENT OF ELO TOUCH SOLUTIONS, INC.

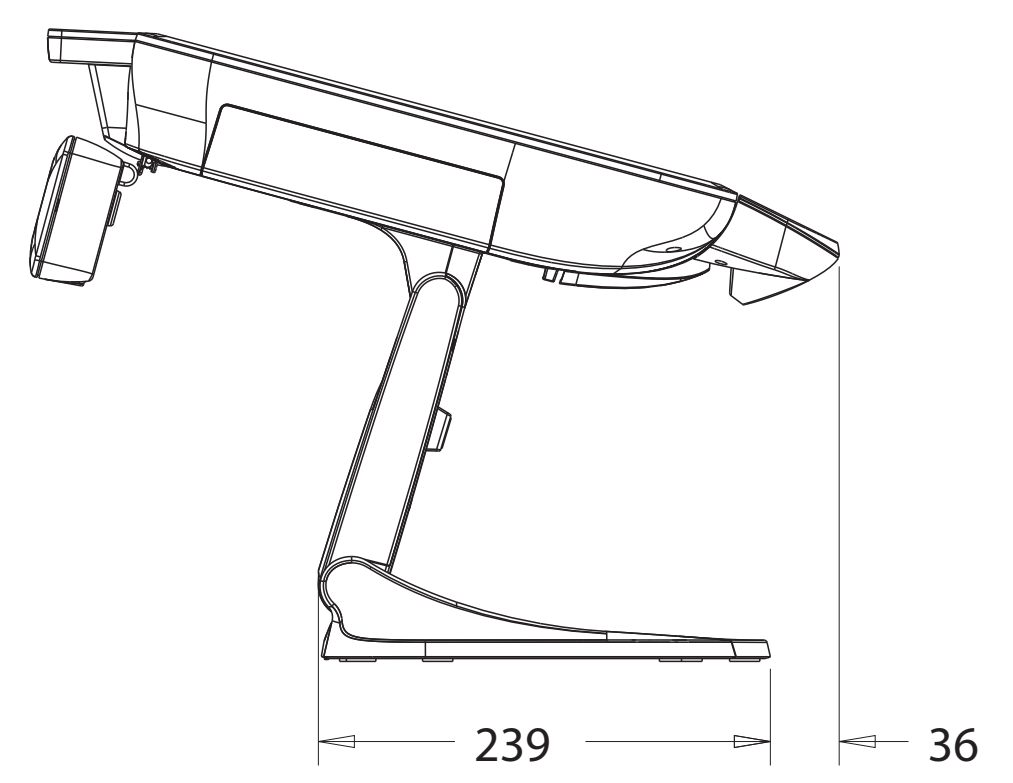
REVISIONS					
REV	ZONE	BY	DESCRIPTION	DATE	APPROVED
E	--	--	Updated by removing units with serial connector.	09/12/11	
F	--	BN	ECO-12-014540: rebranded to Elo Touch Solutions	09/26/12	Susan Swei



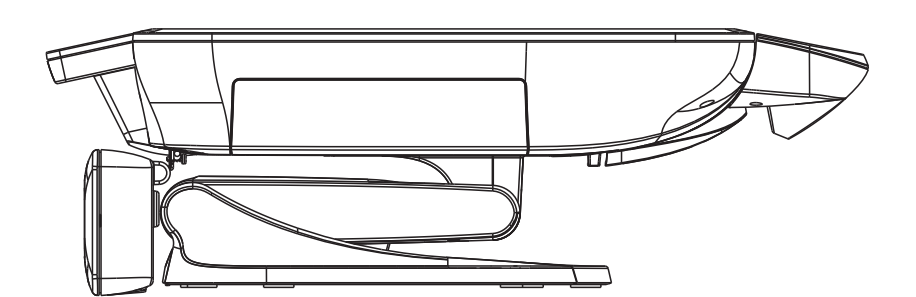
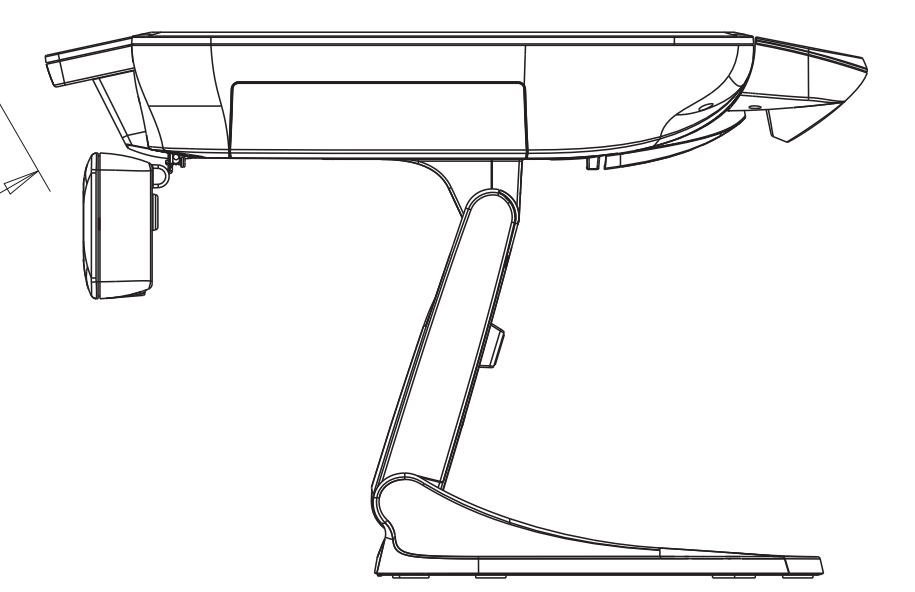
TILT 30° FROM VERTICAL



BASE MOUNTING PATTERN



TILT 75° FROM VERTICAL

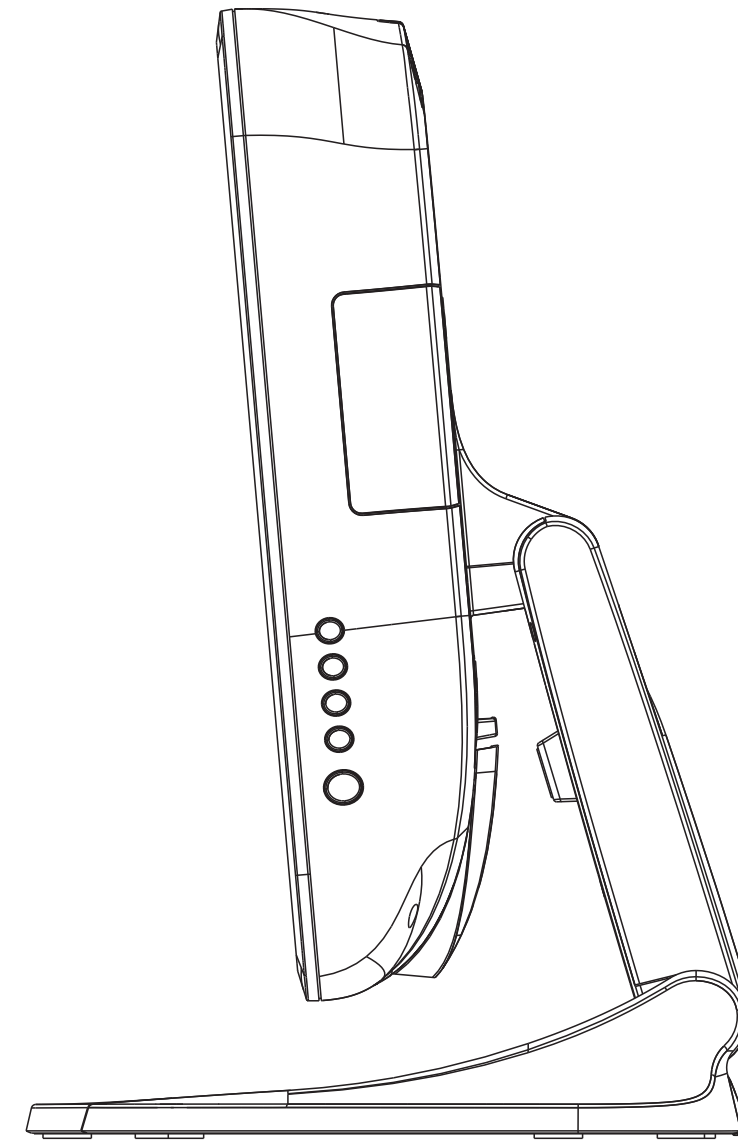
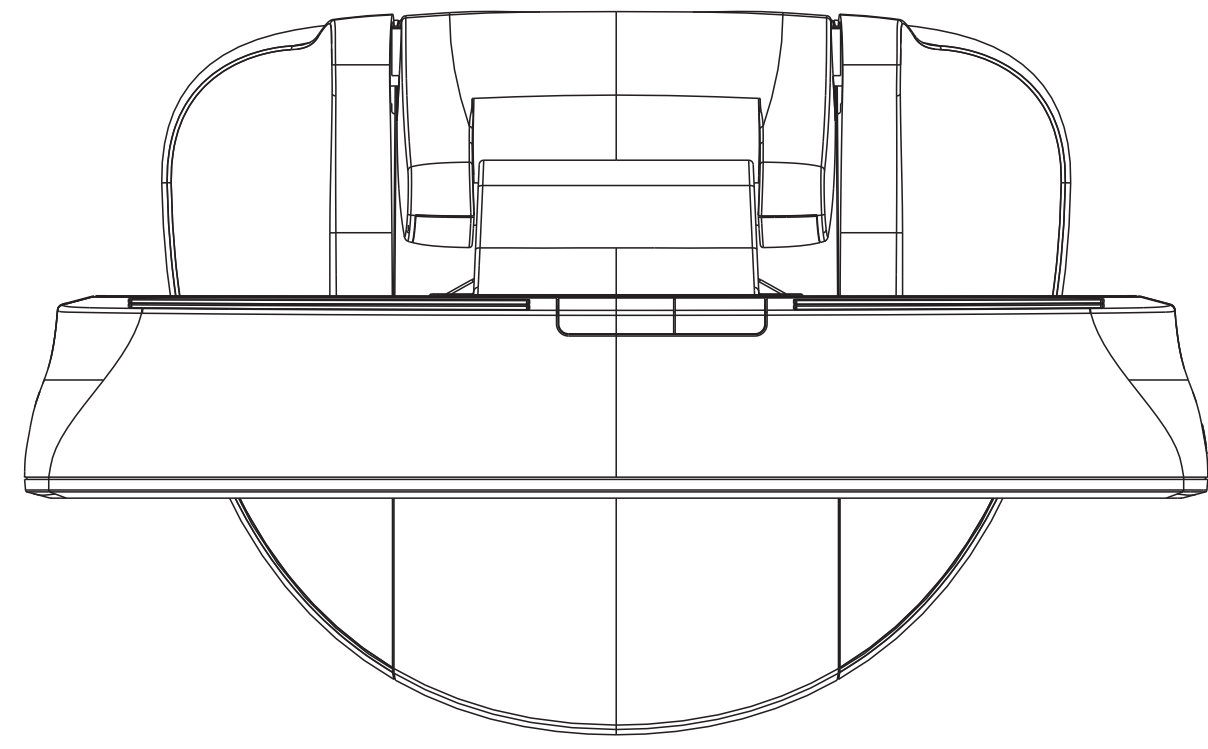


ITEM NO.	QTY REQD	DRAWING OR PART NO.	DESCRIPTION	MATERIAL SPECIFICATION
PARTS LIST				
PART. NO.	UNLESS OTHERWISE SPECIFIED ALL DIMENSIONS ARE IN MILLIMETERS	DRAWN J. Haller	DATE 06-21-06	TITLE
	TOLERANCES ARE:	CHECK K. North	DATE 03-15-07	DIMENSIONAL DRAWING, 1729L
	DECIMALS ± 0.50	DESIGN J. Haller	DATE 06-12-06	
	ANGLES ± 1/2°	THIRD ANGLE PROJECTION		
	FRACTIONS ± 1/32°	SIZE D	SCALE 1/4	
DO NOT SCALE DRAWING		Pro/E .prt/.asm:		DWG. NO. MS600552
		Pro/E .dwc:		REV F

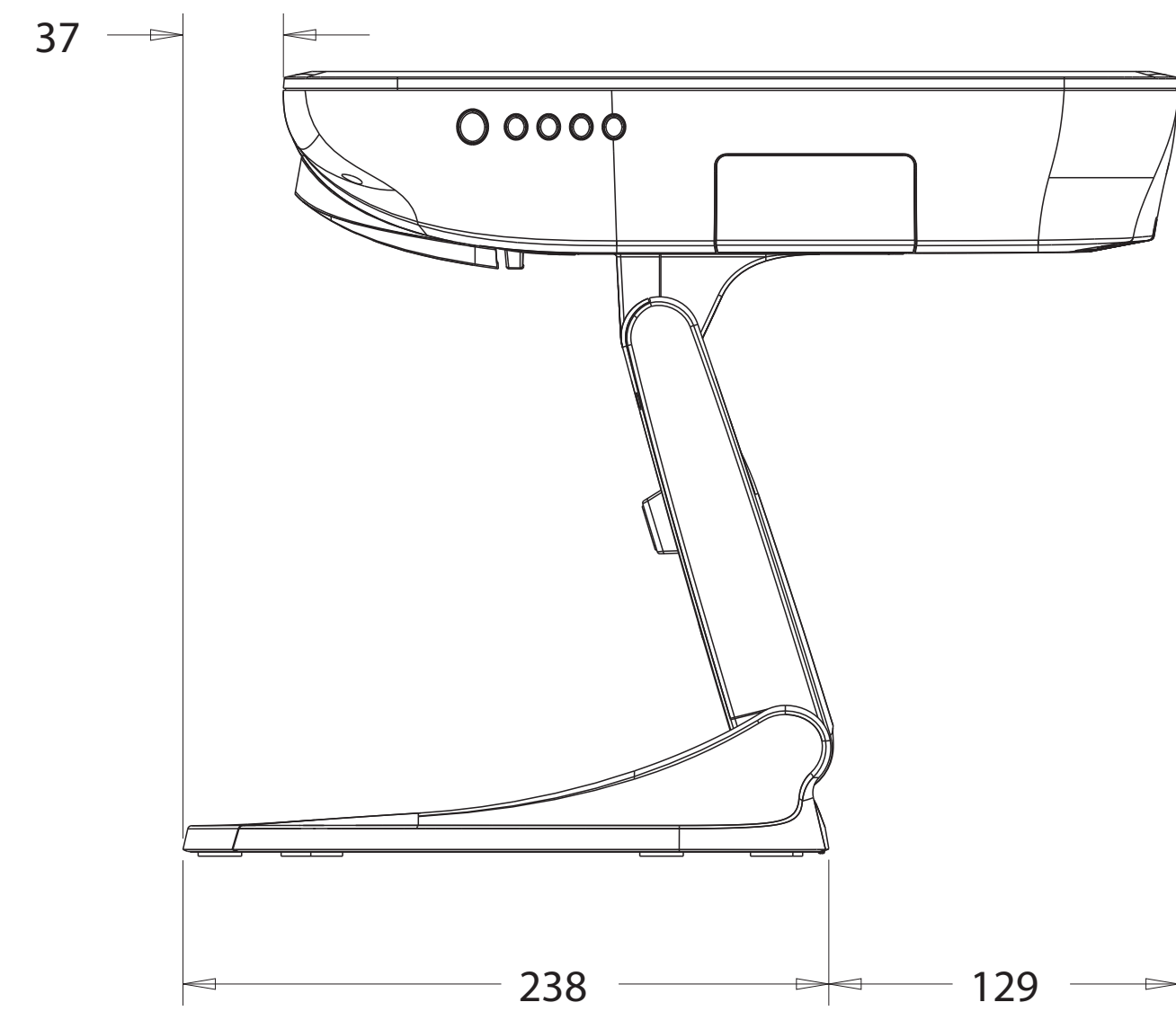
SHT 1 of 3 REV F MS600552

PROPRIETARY TO ELO TOUCH SOLUTIONS, INC. AND SHALL NOT BE DISCLOSED OTHER THAN TO NECESSARY EMPLOYEES OR SUPPLIERS WITHOUT THE EXPRESS WRITTEN CONSENT OF ELO TOUCH SOLUTIONS, INC.

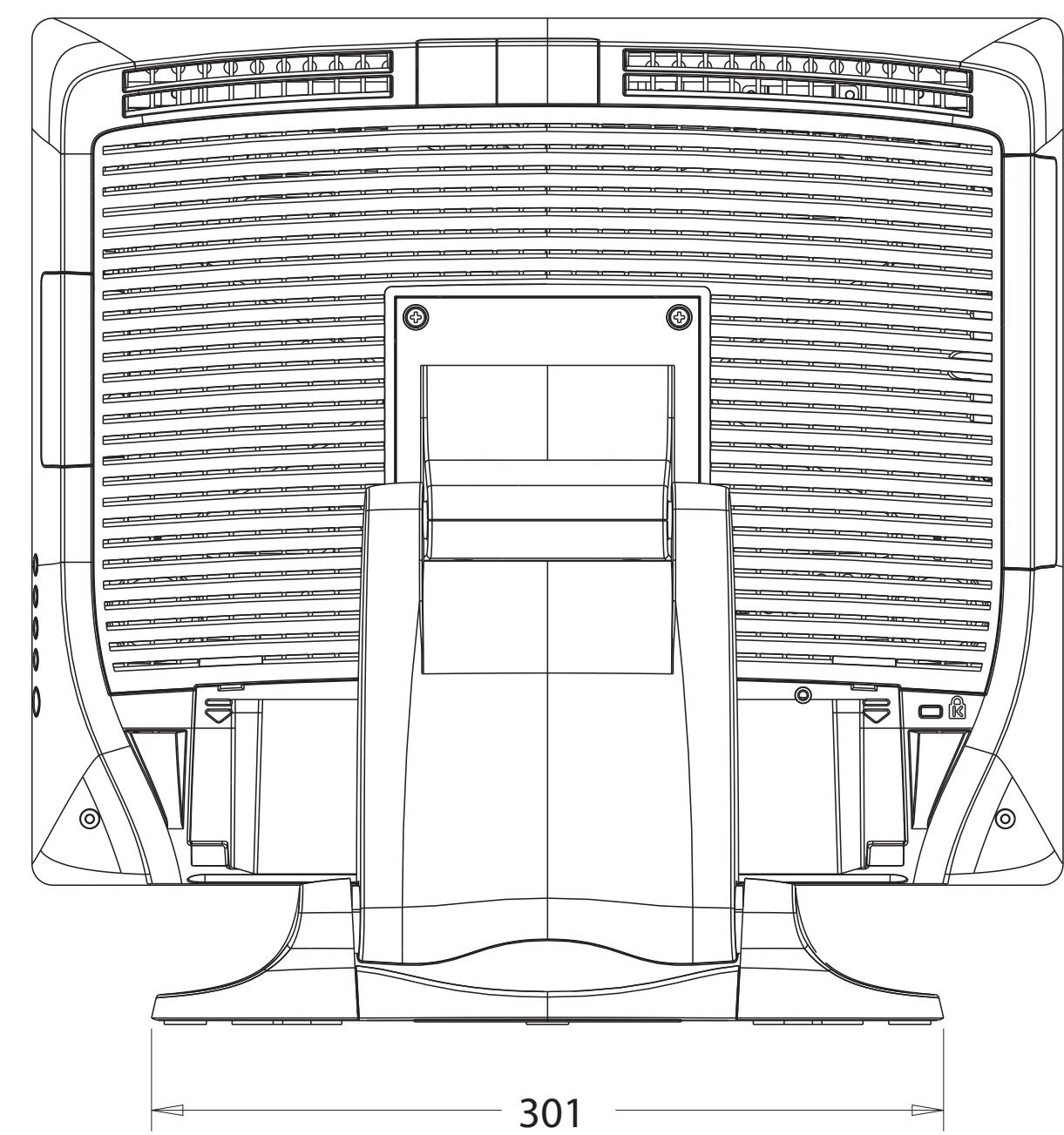
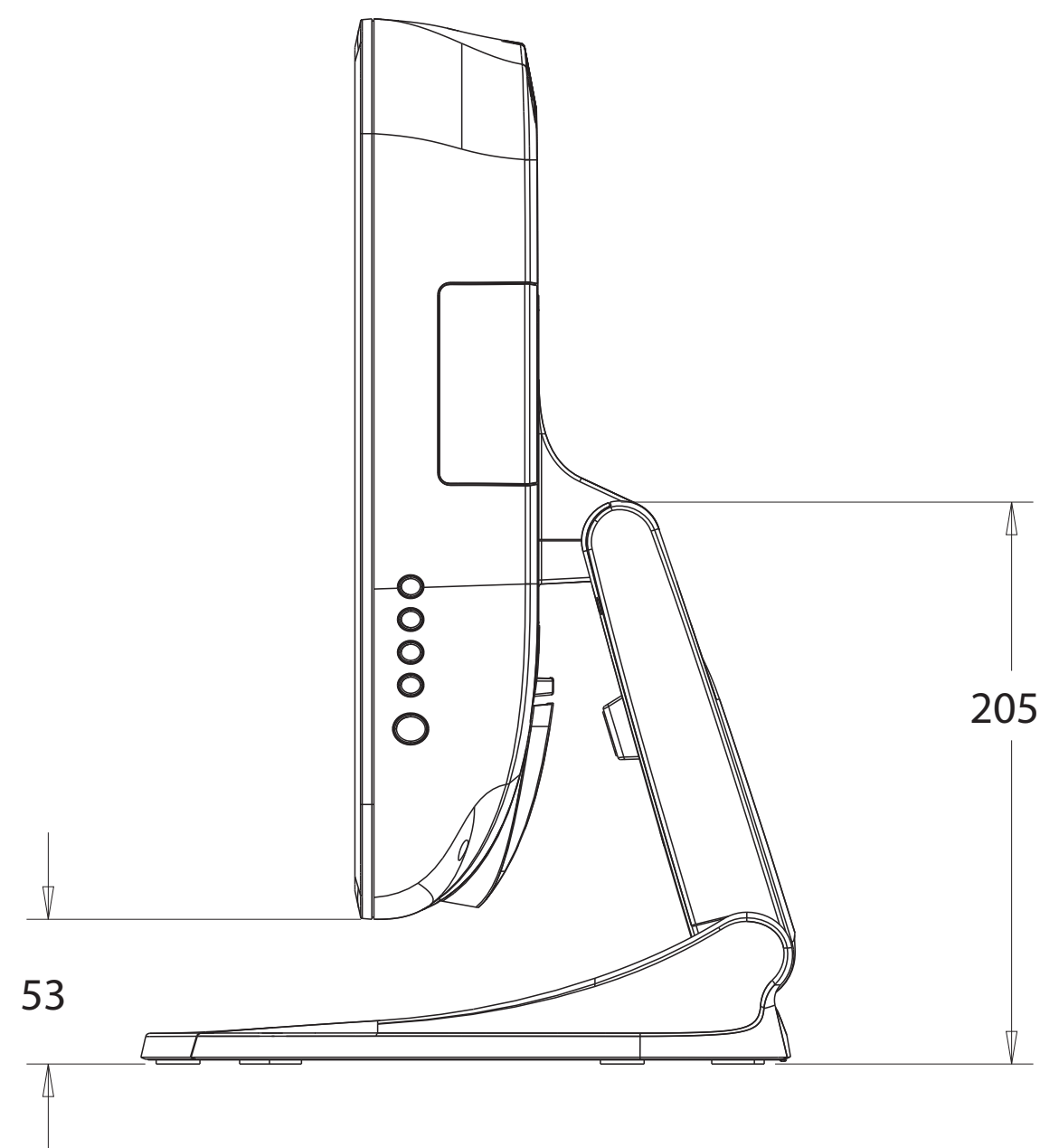
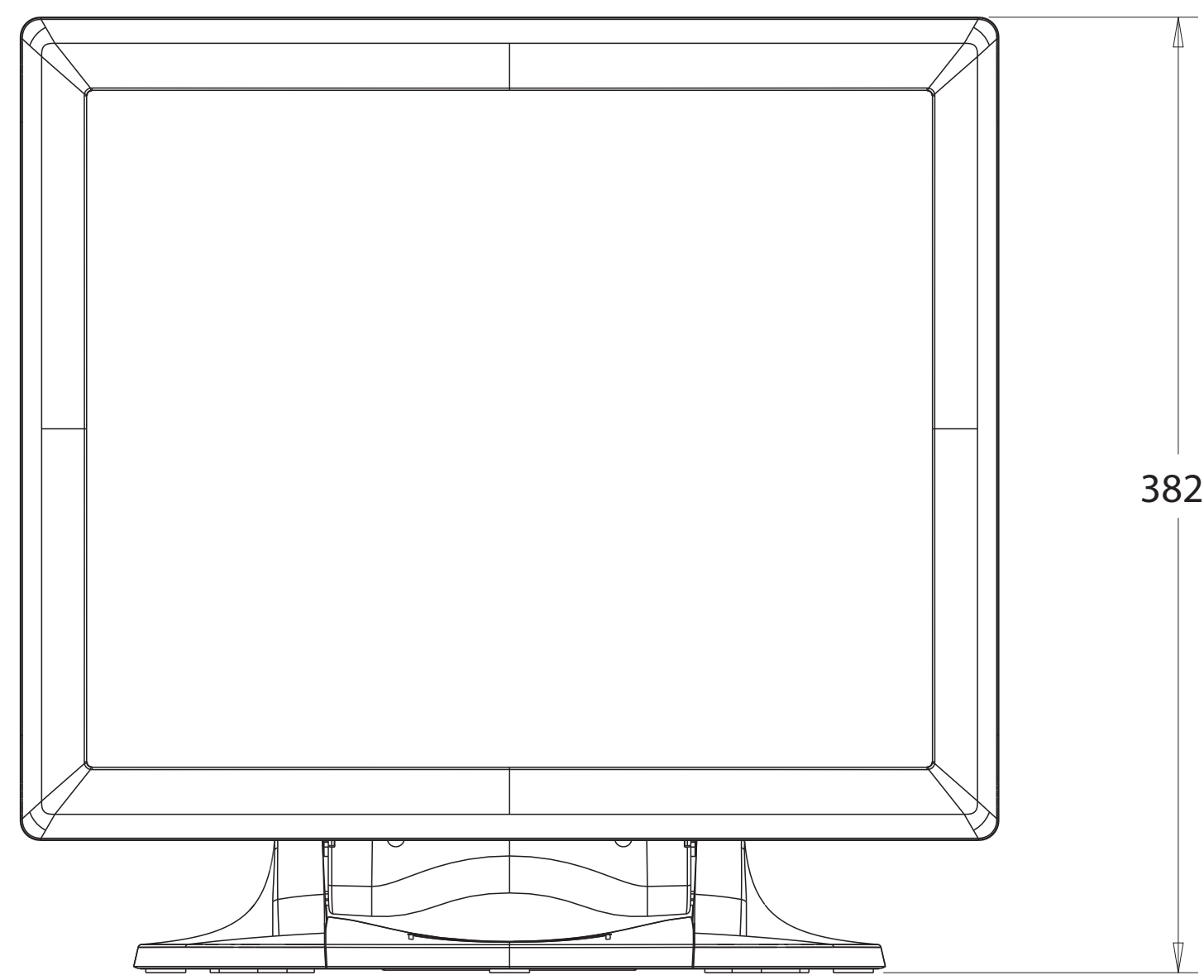
REVISIONS				
REV	CHANGE BY	CHANGE DESCRIPTION	CHANGE DATE	APPROVED



TILT: -5° FROM VERT



TILT: 90° FROM VERT



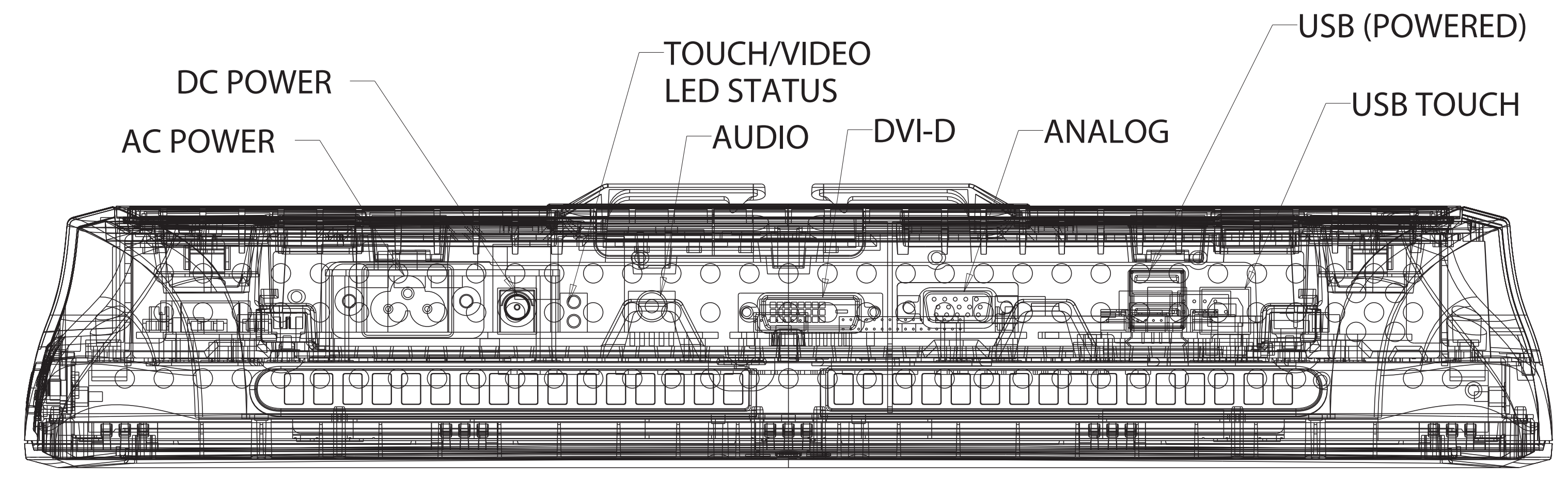
DWG TITLE				
TITLE				
DIMENSIONAL DRAWING, 1729L				
SIZE	SCALE	SHEET	DWG. NO.	REV
D	1/4	2 of 3	MS600552	F

SHT 2 of 3 REV F DWG. NO. MS600552

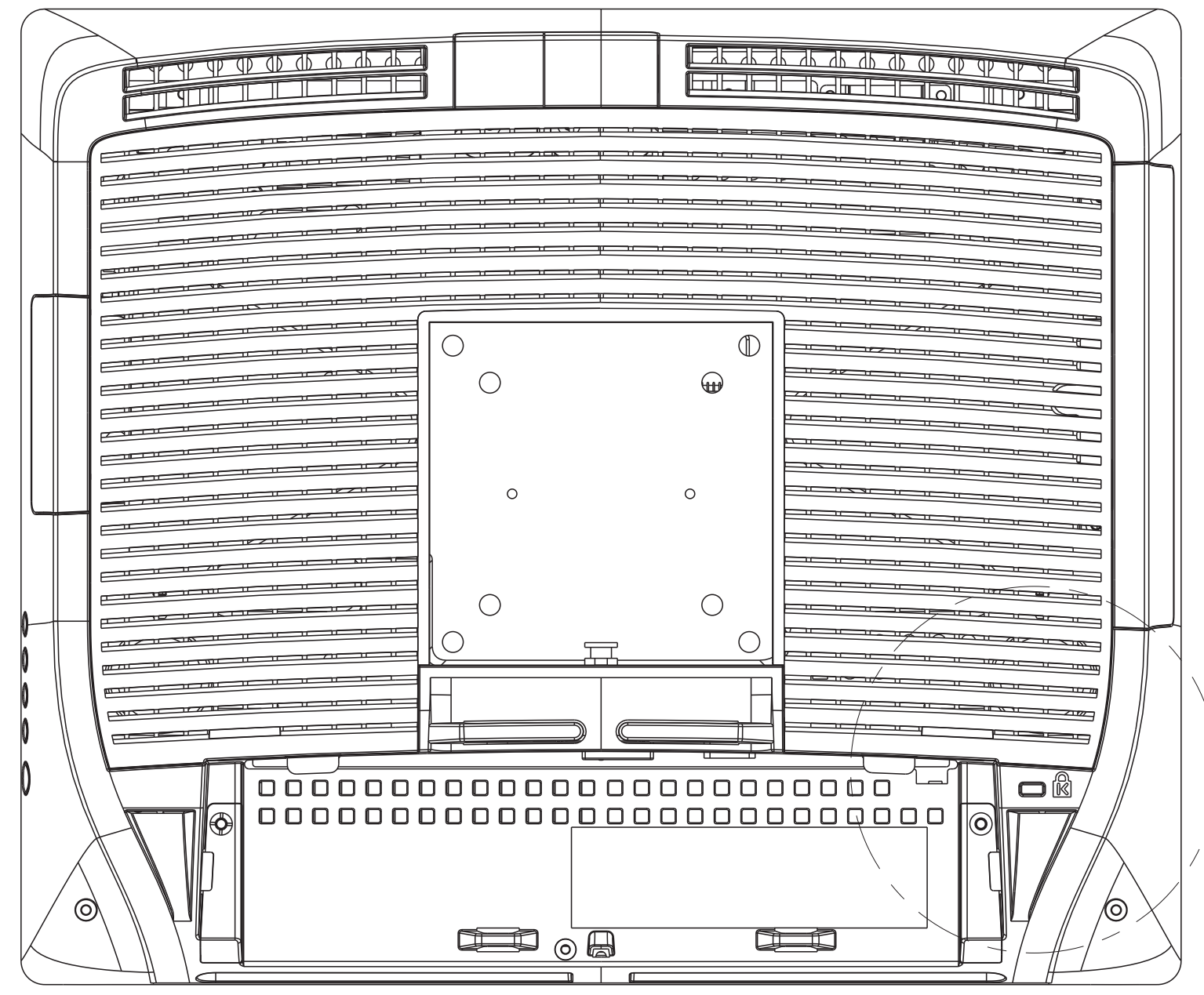


# TOUCH PLUS ANY ACCESSORIES

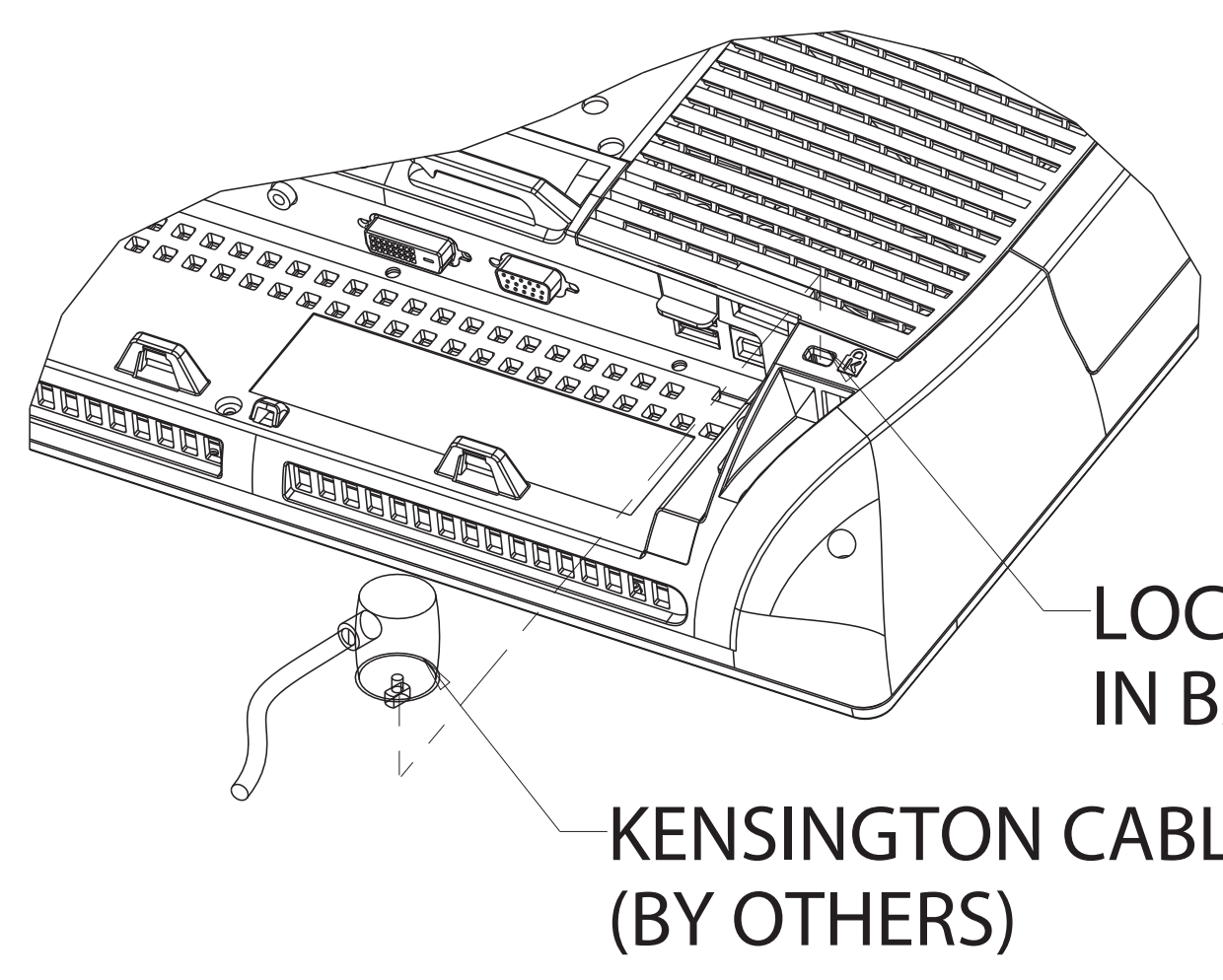
## OPTION 1.



SCALE 1.000



## KENSINGTON LOCK DETAIL



LOCK RECEPTICAL IN BACK COVER

KENSINGTON CABLE LOCK (BY OTHERS)

DWG TITLE				
TITLE				
DIMENSIONAL DRAWING, 1729L				
SIZE	SCALE	SHEET	DWG. NO.	REV
D	1/4	3 of 3	MS600552	F