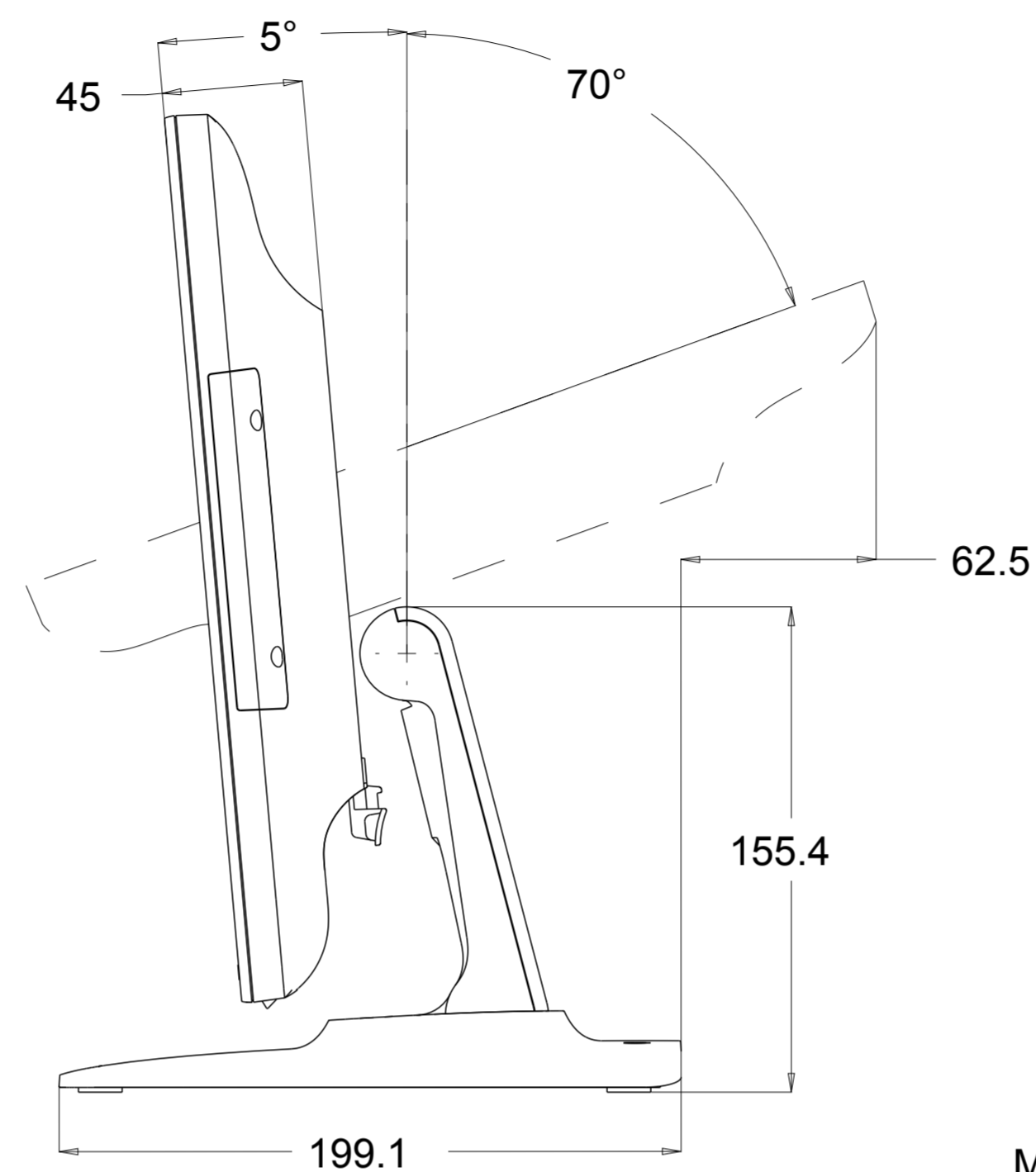
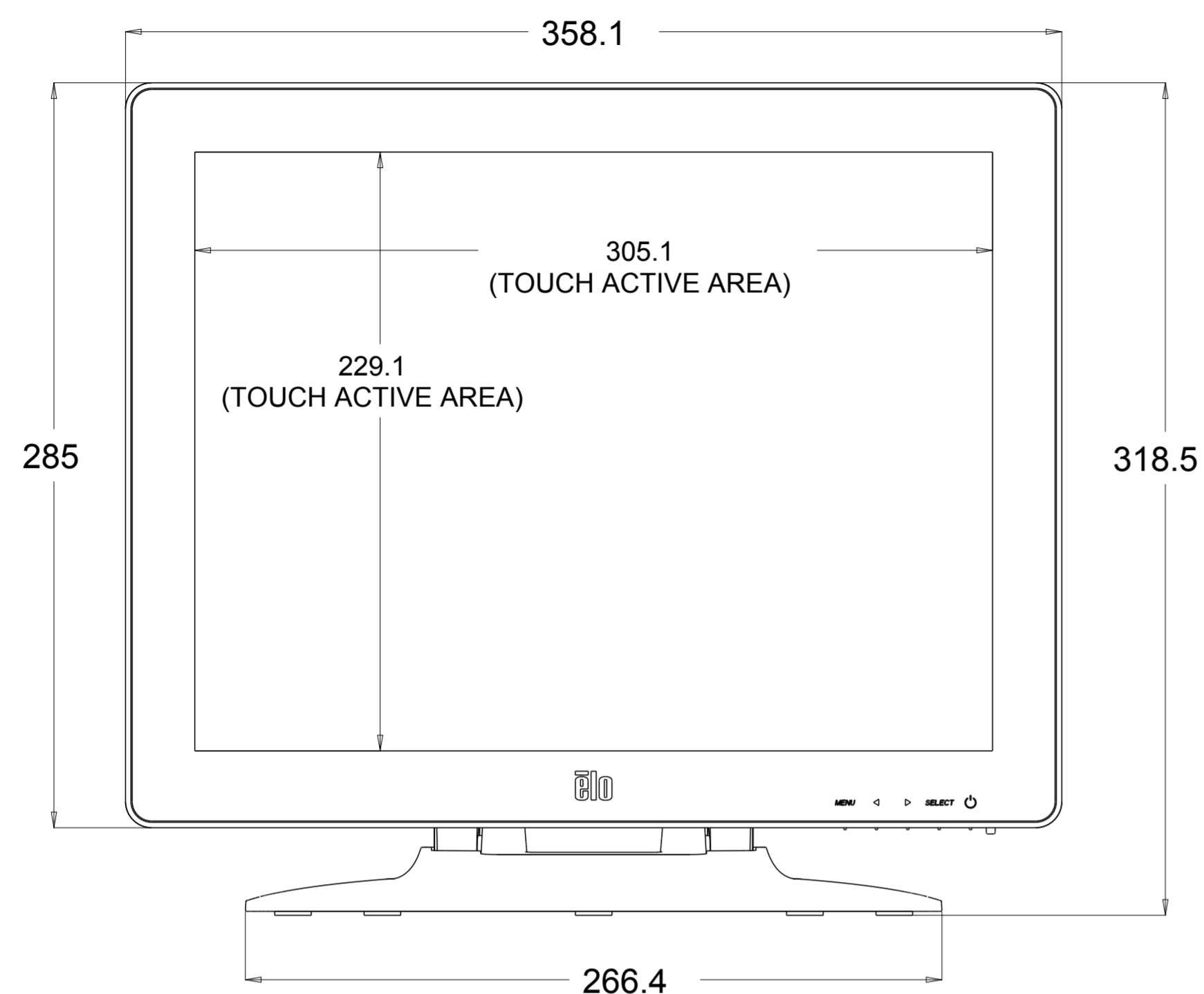
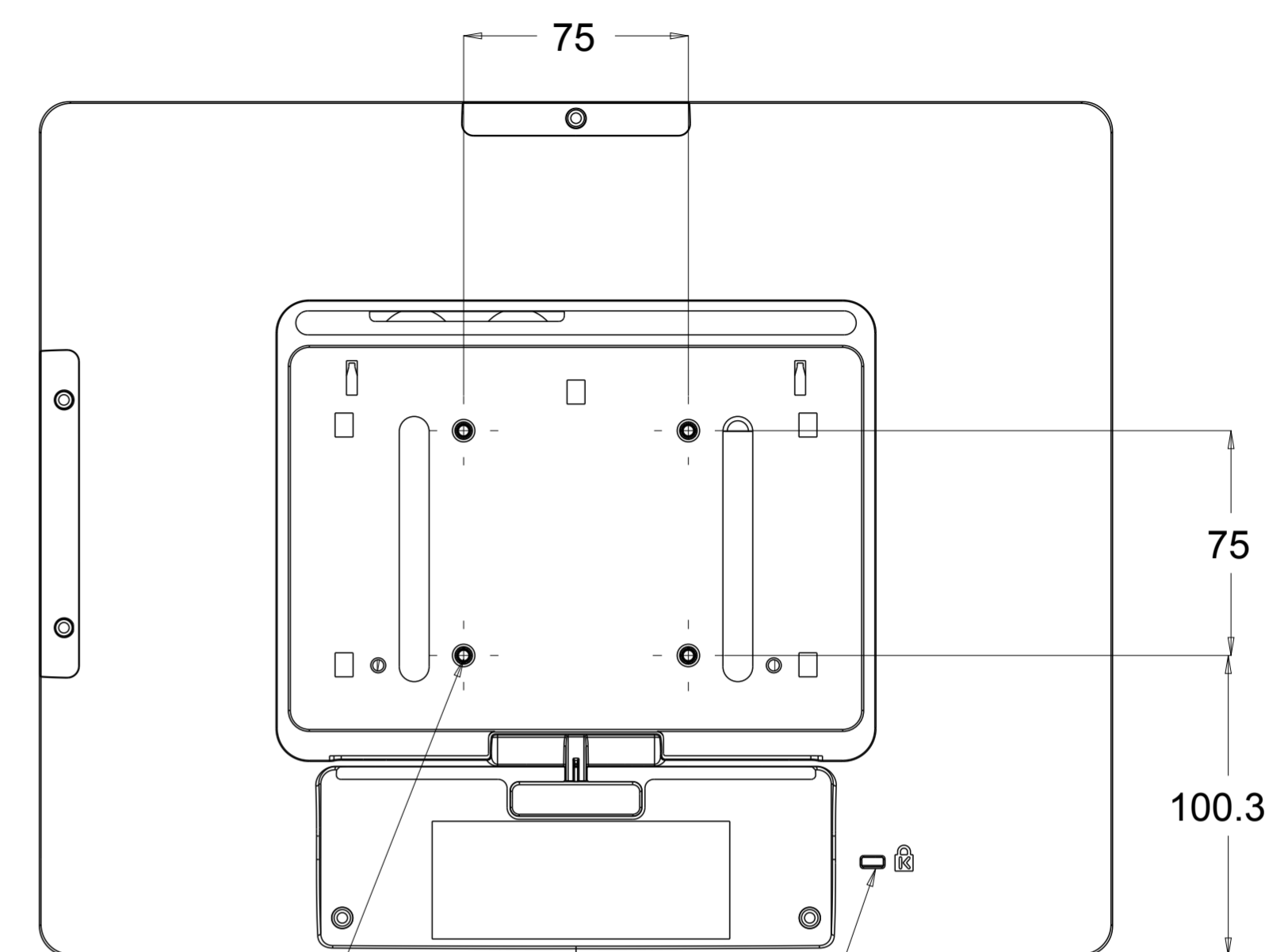


SEE PG. 2 FOR 1723  
SEE PG. 3 FOR ACCESSORIES

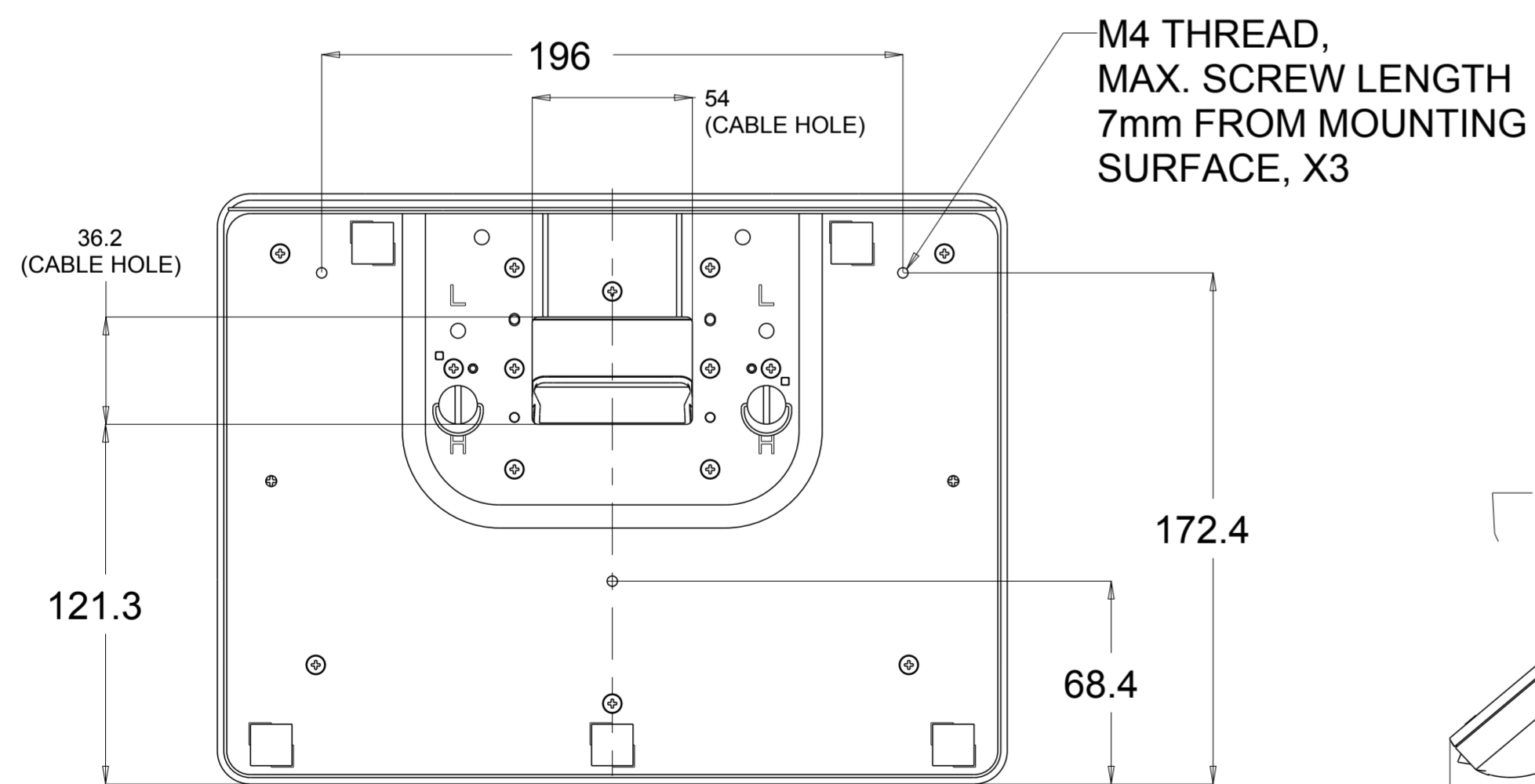


DISPLAY ANGLE RANGE  
IN HIGH POSITION



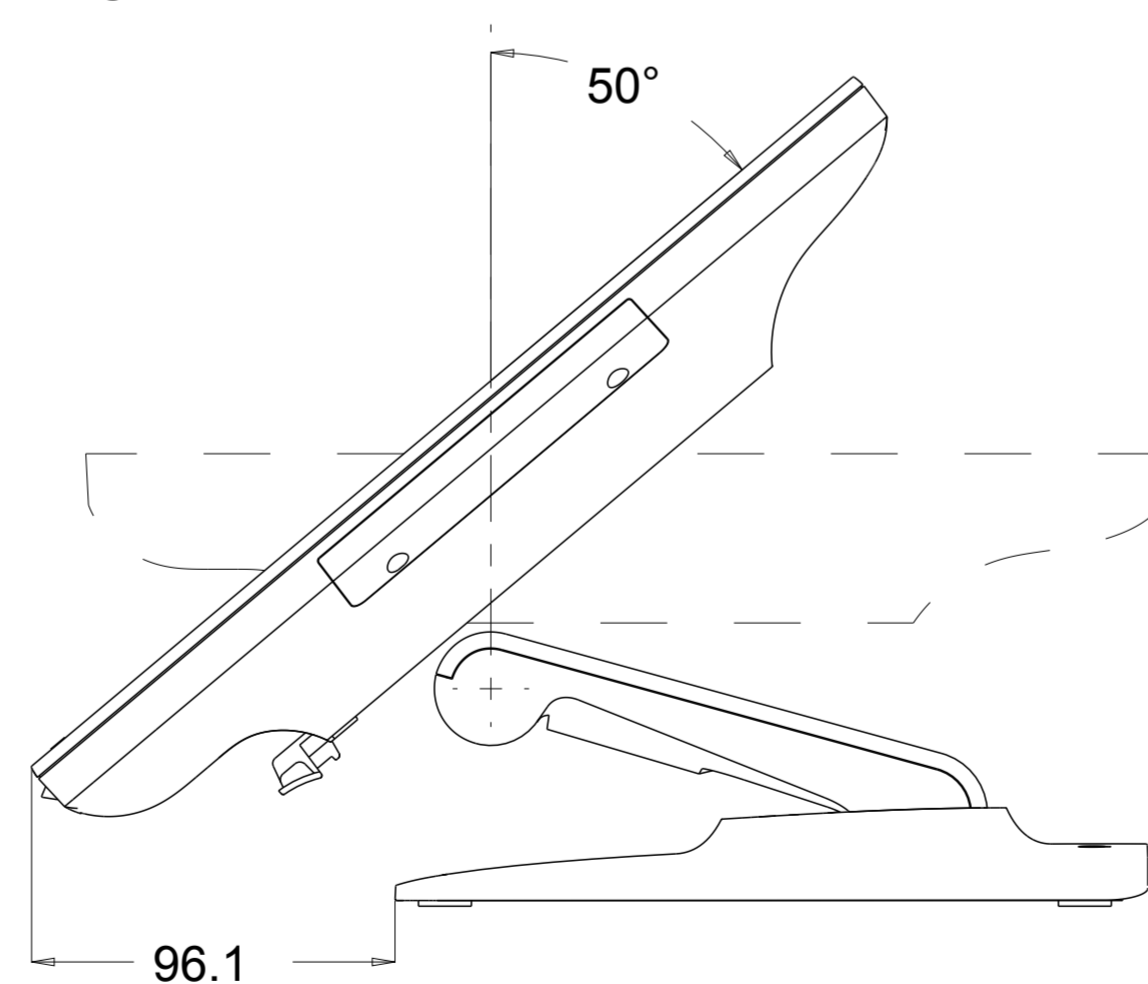
M4 THREAD,  
MAX. SCREW LENGTH  
7mm FROM MOUNTING  
SURFACE, X4

KENSINGTON LOCK  
RECEPTICAL

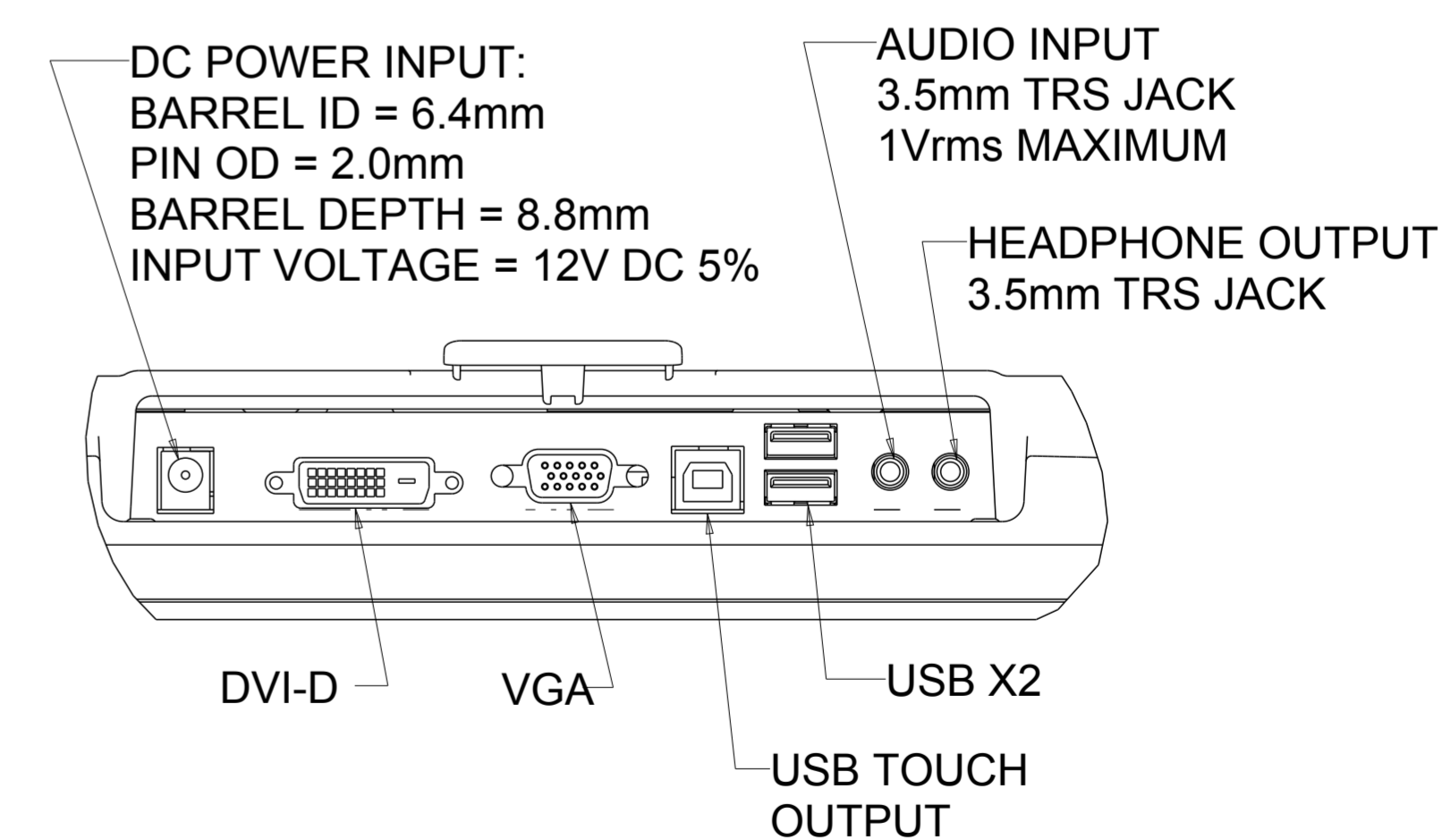


M4 THREAD,  
MAX. SCREW LENGTH  
7mm FROM MOUNTING  
SURFACE, X3

1523 STAND BOTTOM VIEW

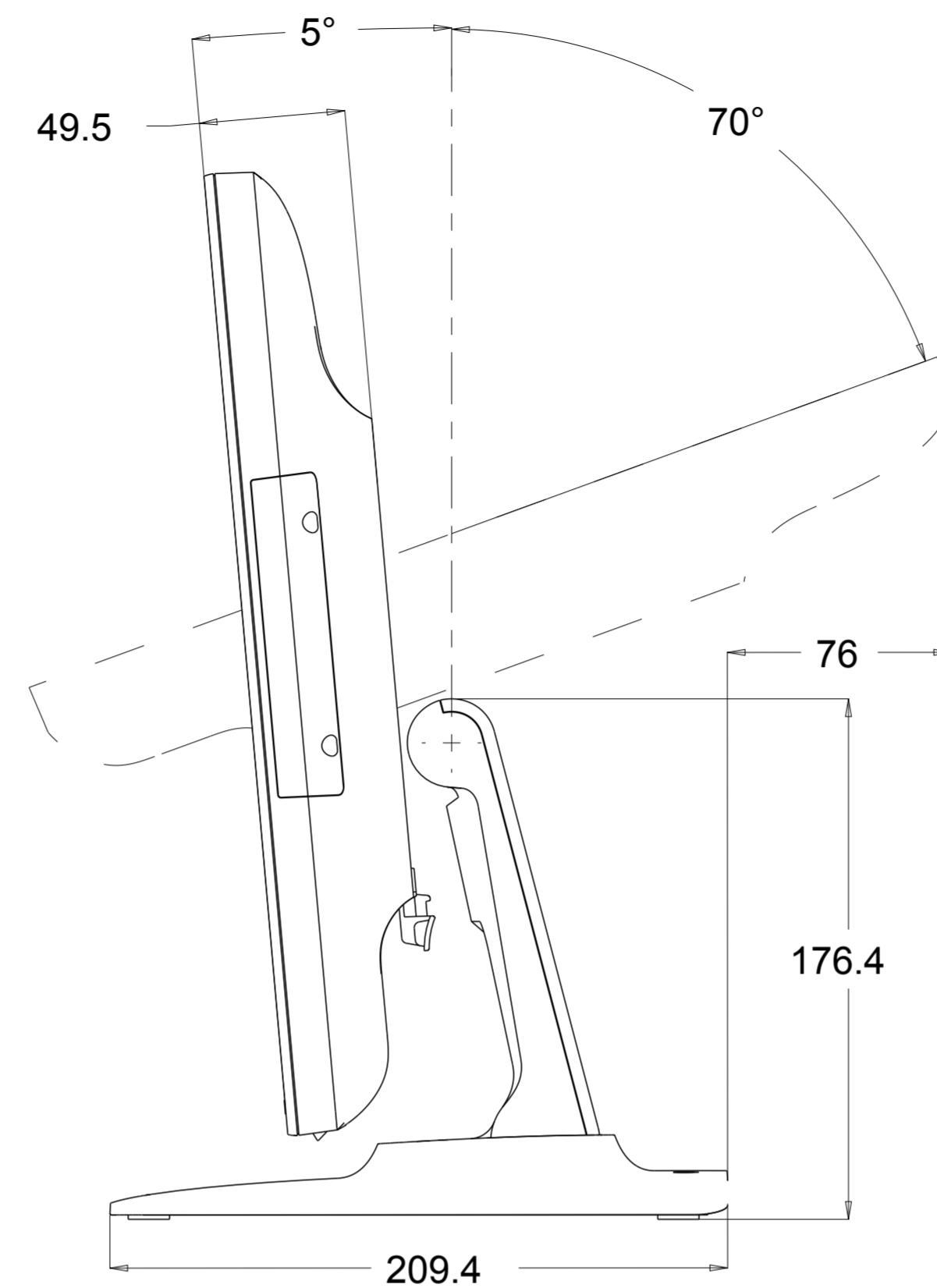
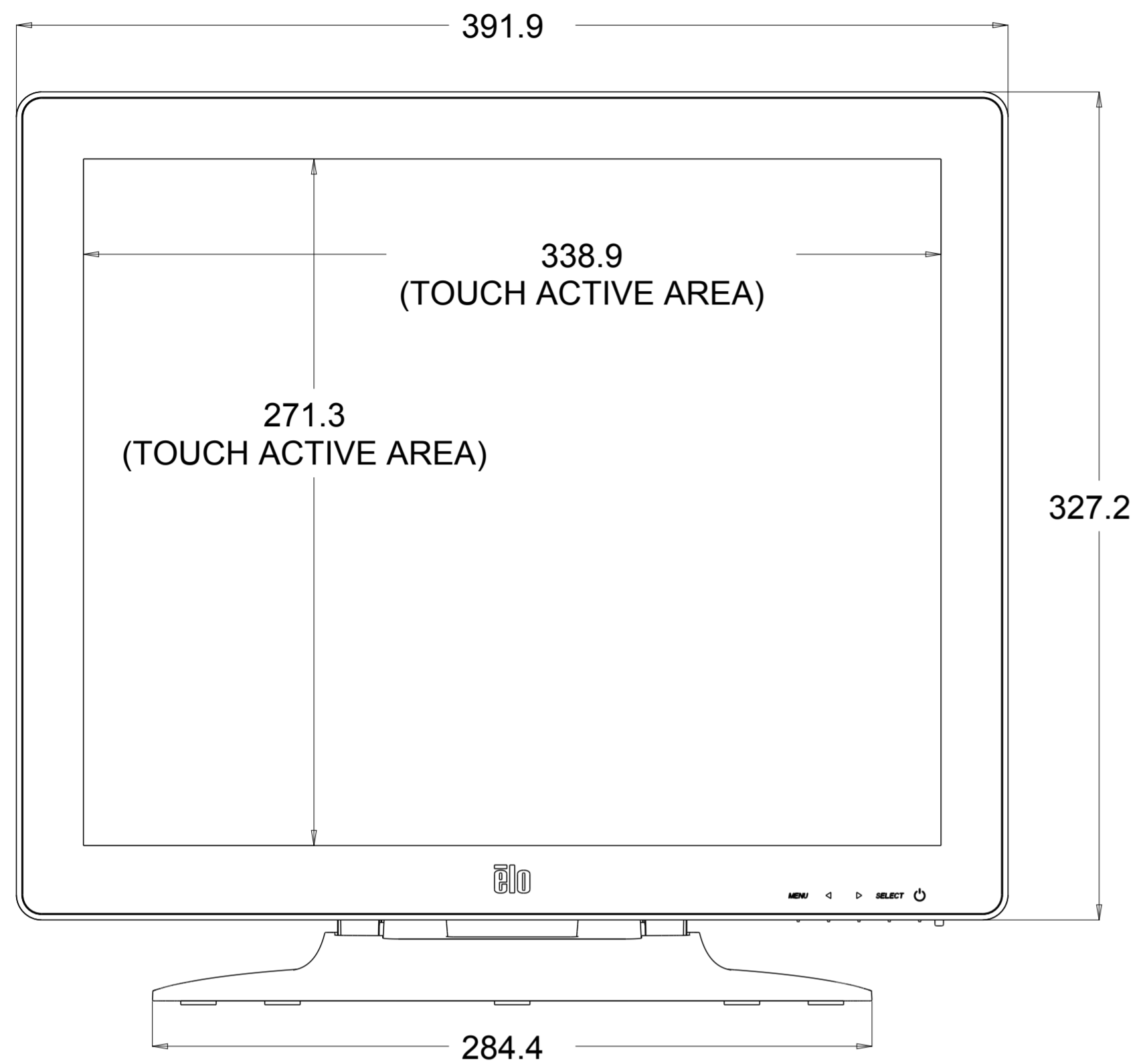


DISPLAY ANGLE RANGE  
IN LOW POSITION

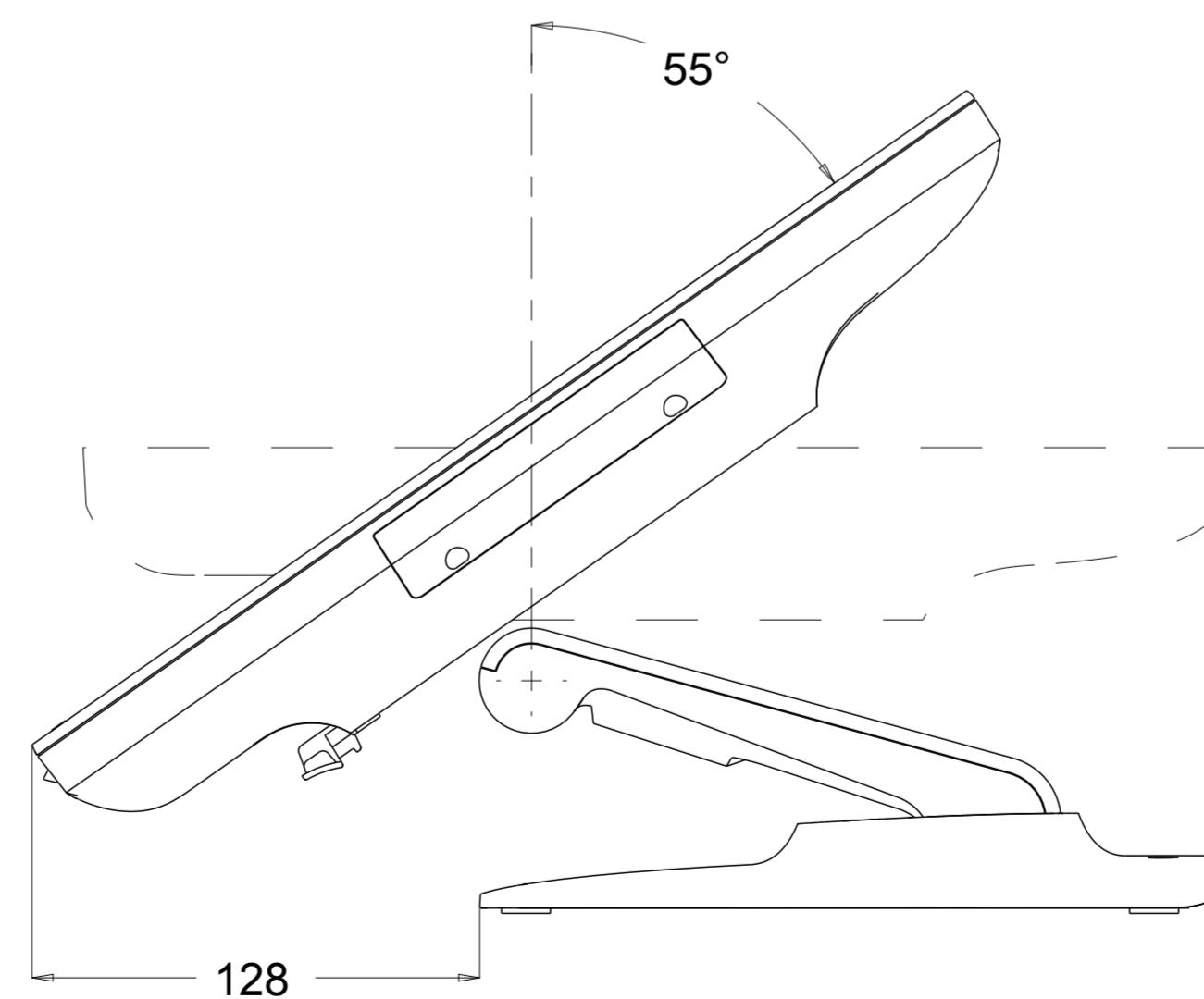
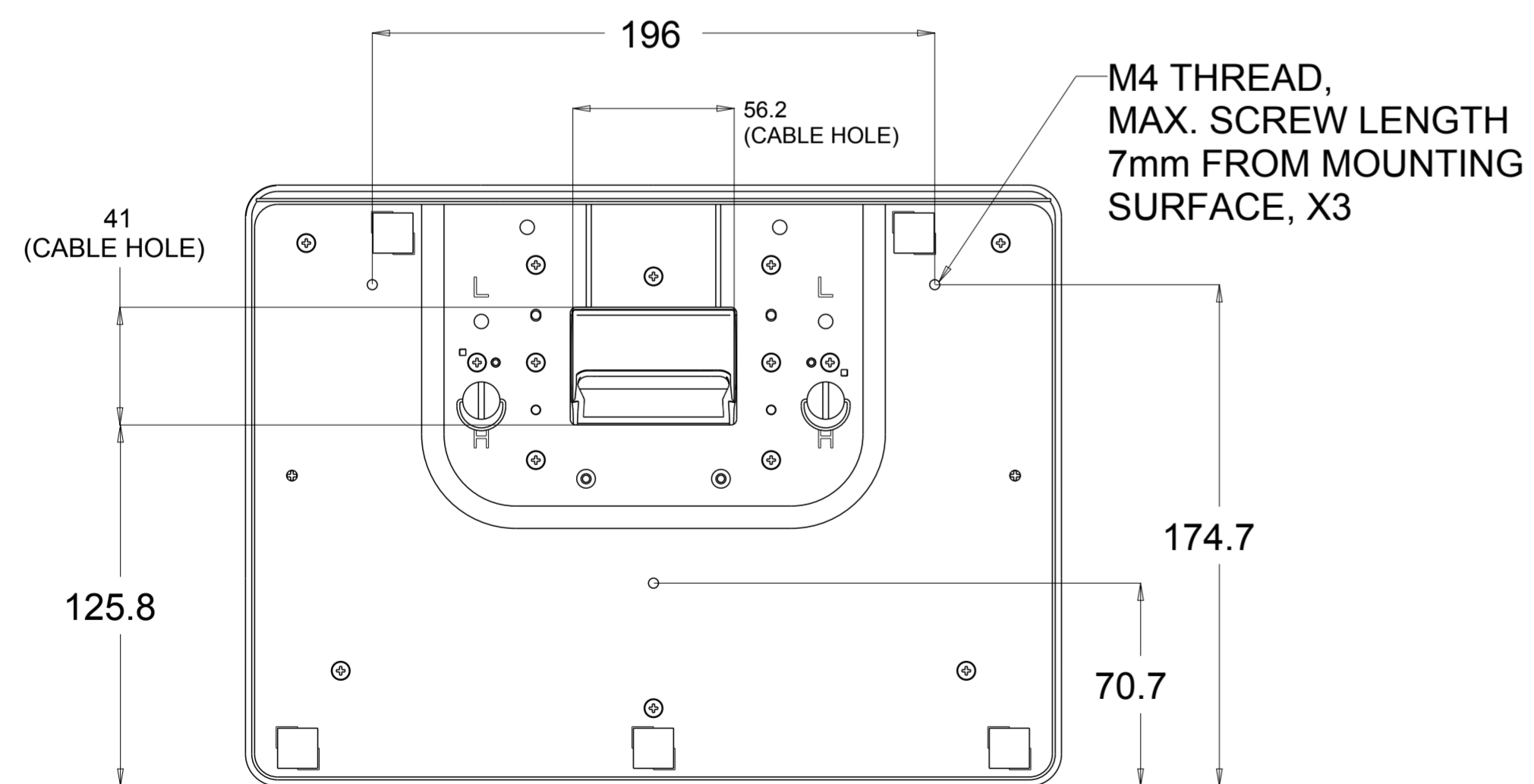
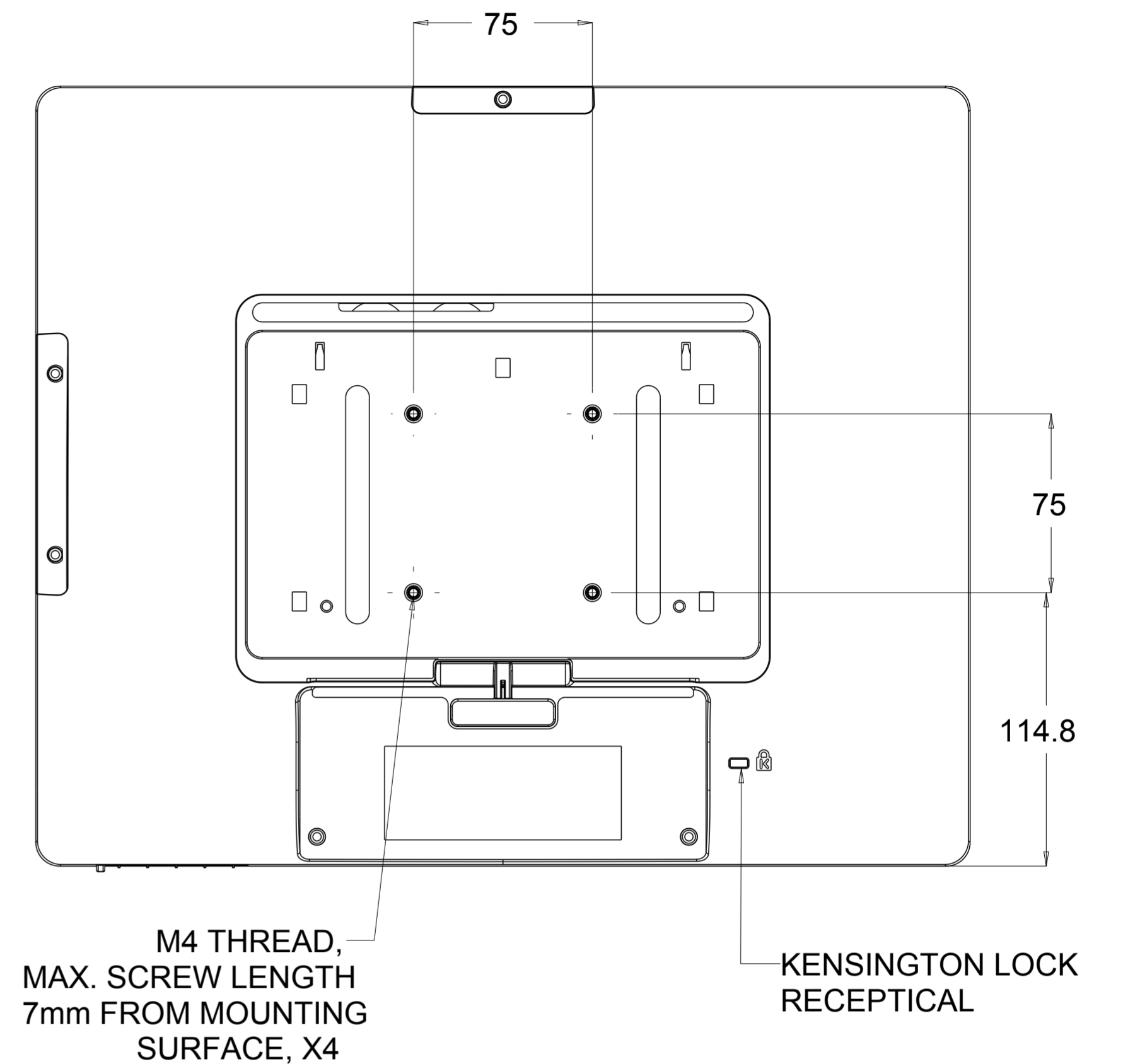


1523 / 1723 INPUTS / OUTPUTS

SEE PG. 1 FOR 1523



DISPLAY ANGLE RANGE  
IN HIGH POSITION



DISPLAY ANGLE RANGE  
IN LOW POSITION

OPTIONAL ACCESSORIES

