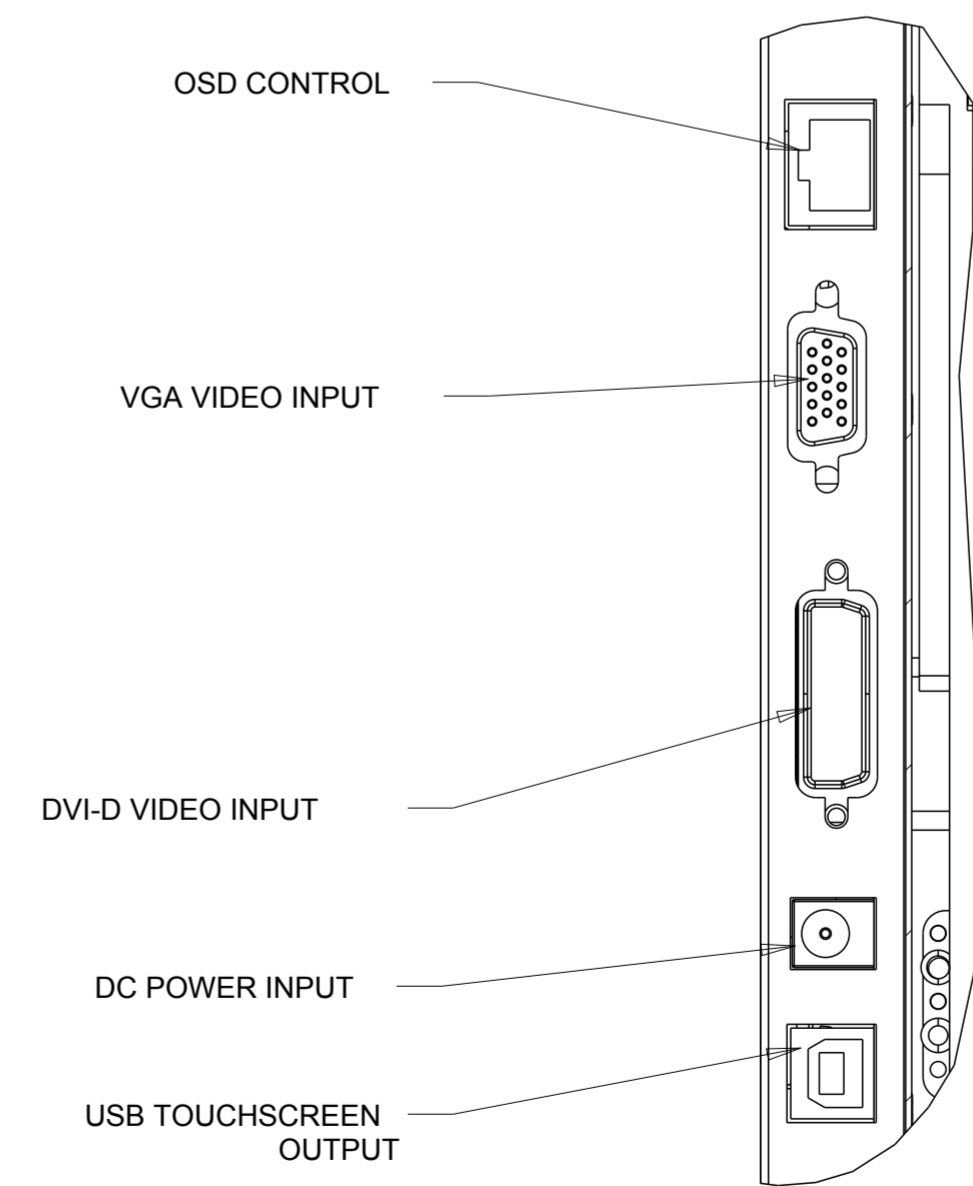
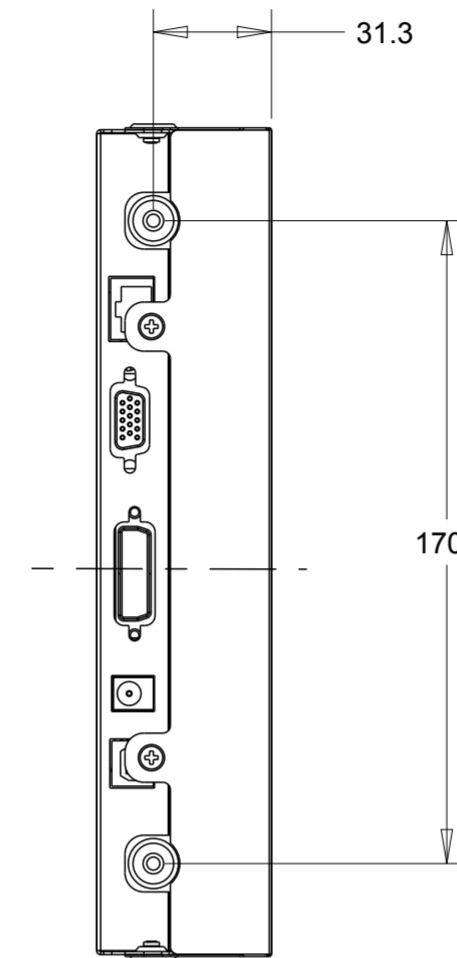
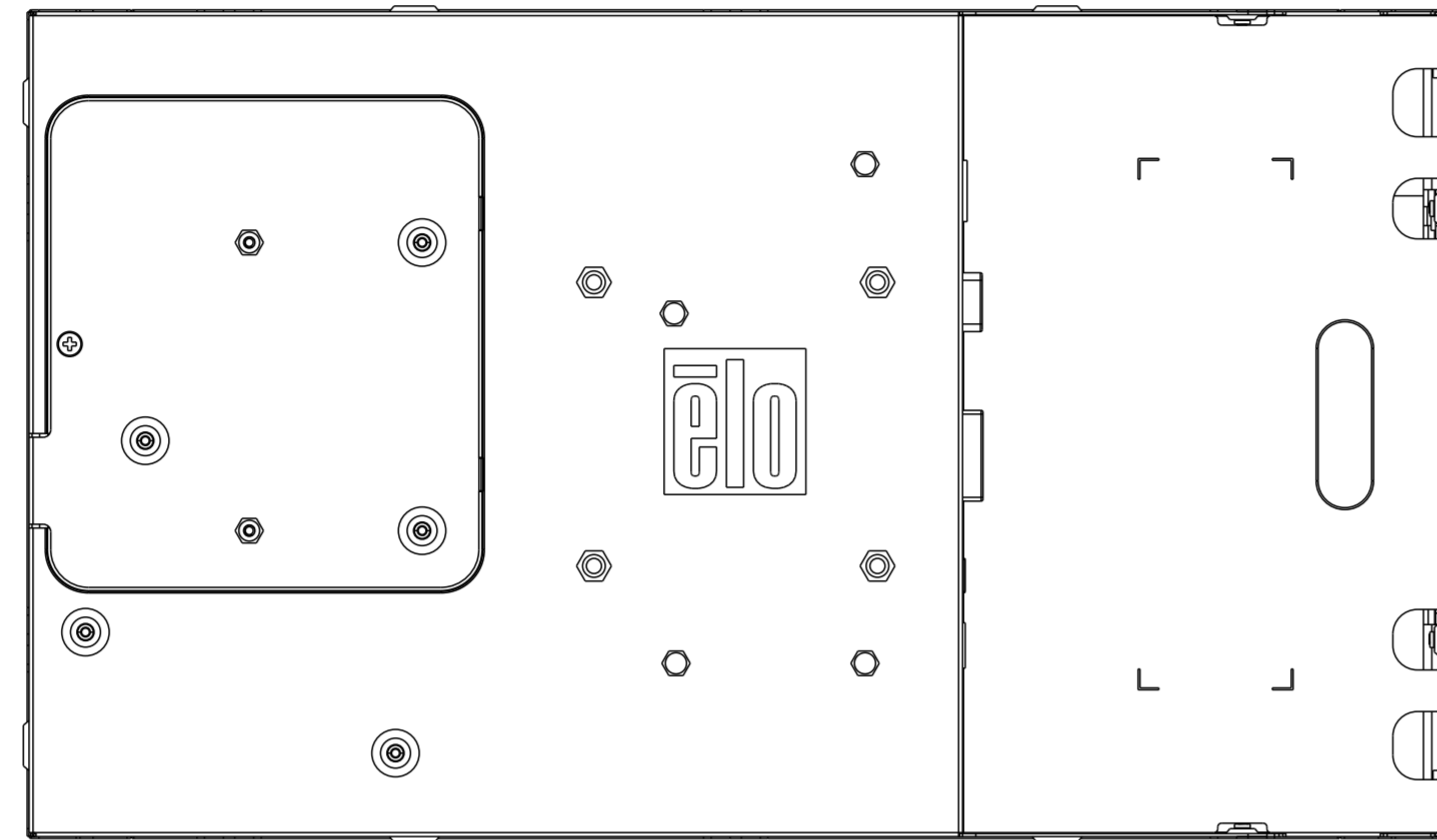
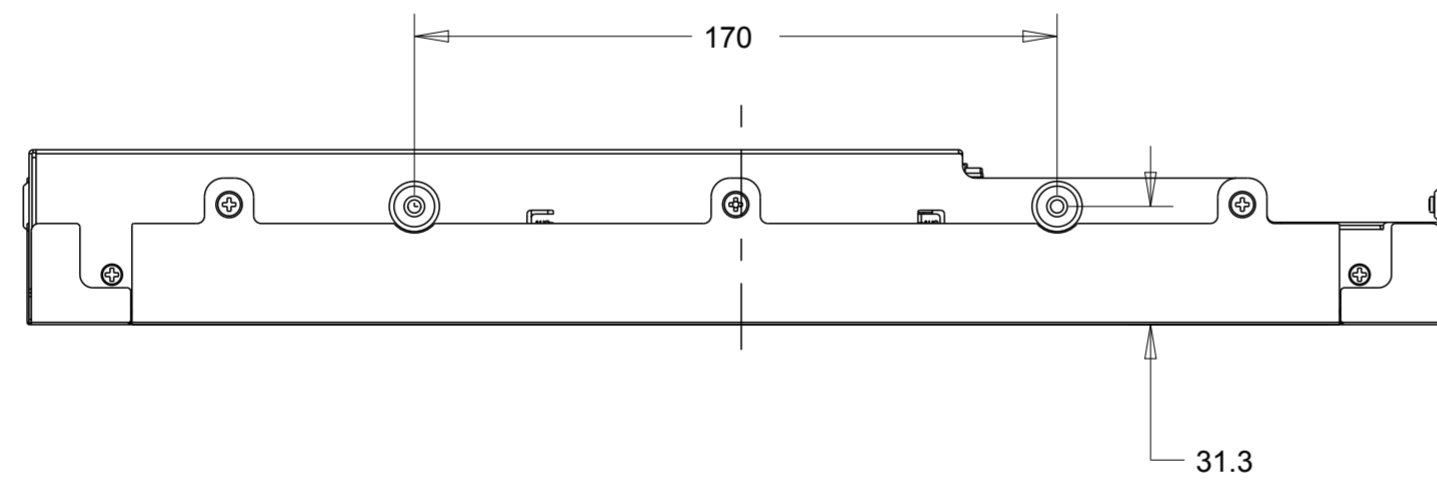


OPTIONAL OSD REMOTE
P/N E483757



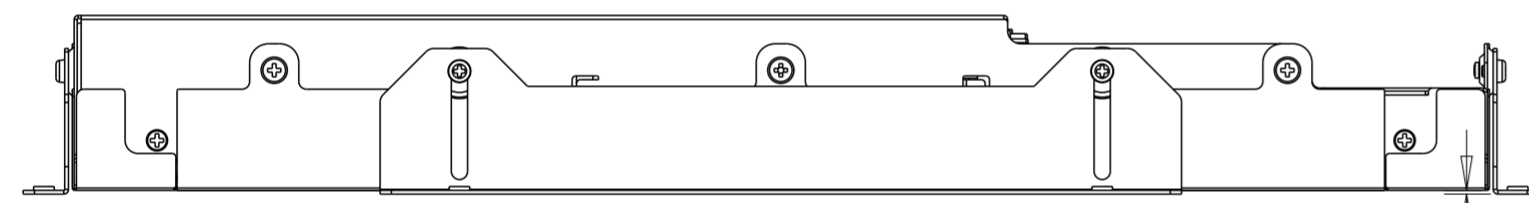
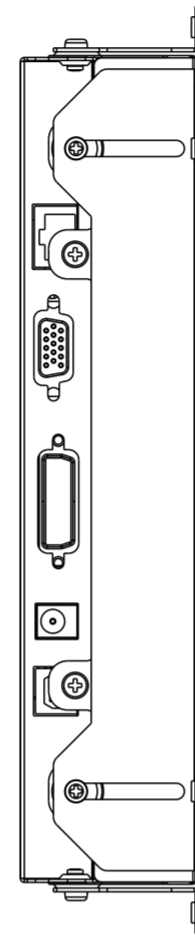
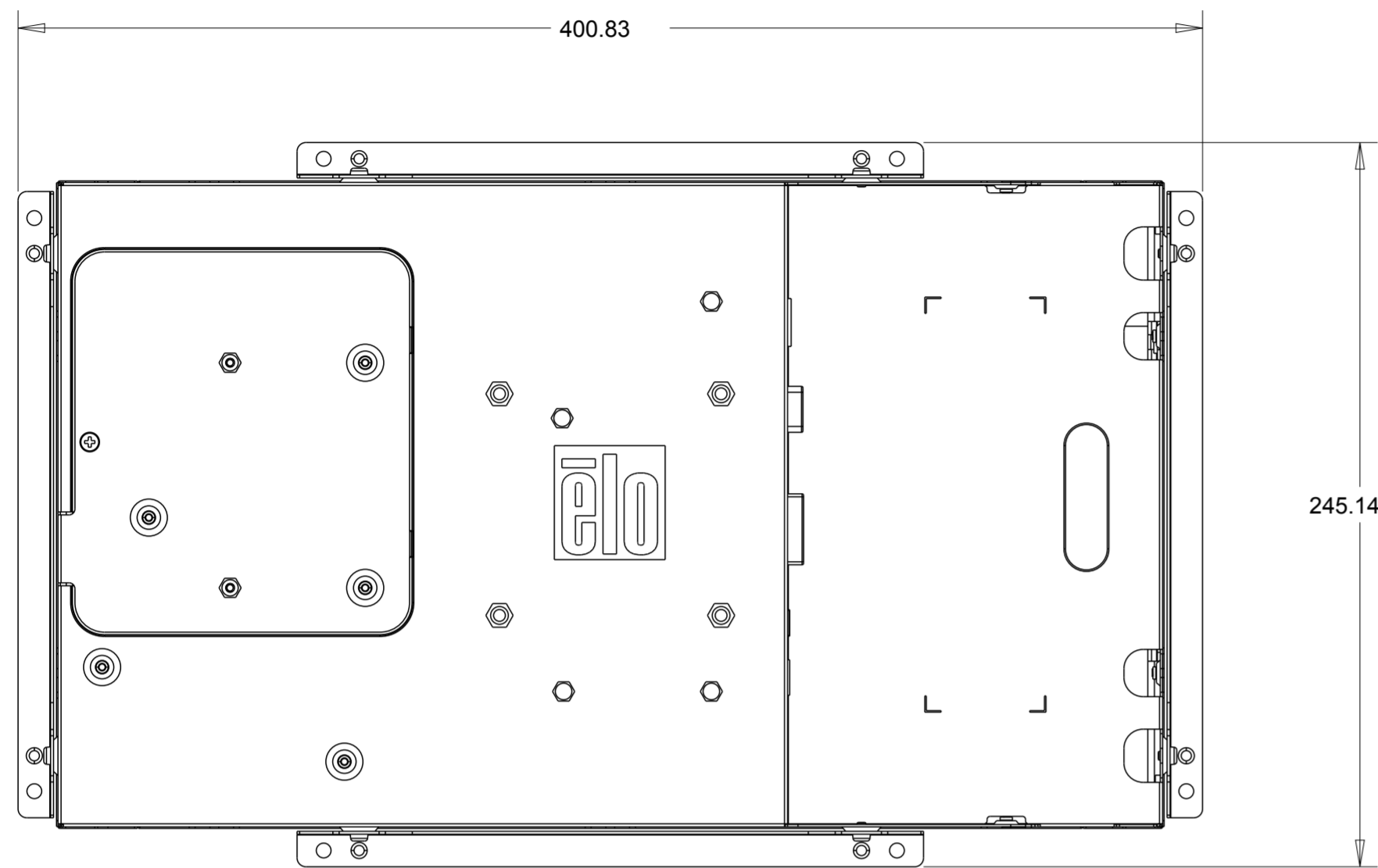


SIDE MOUNT, VERTICAL (LEFT AND RIGHT)



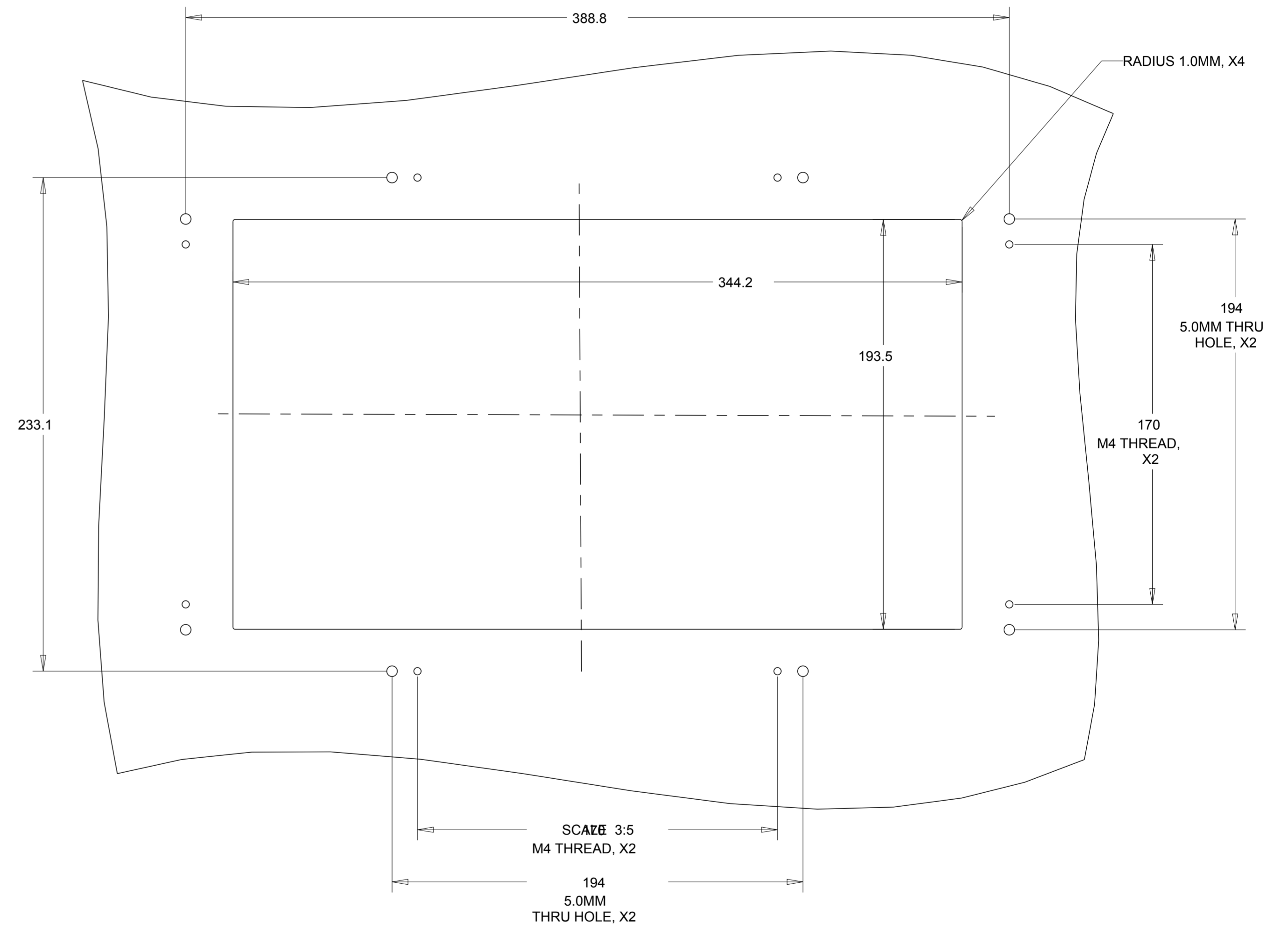
SIDE MOUNT, HORIZONTAL (TOP AND BOTTOM)

MOUNTING WITH ADJUSTABLE BRACKETS
(4 PROVIDED)



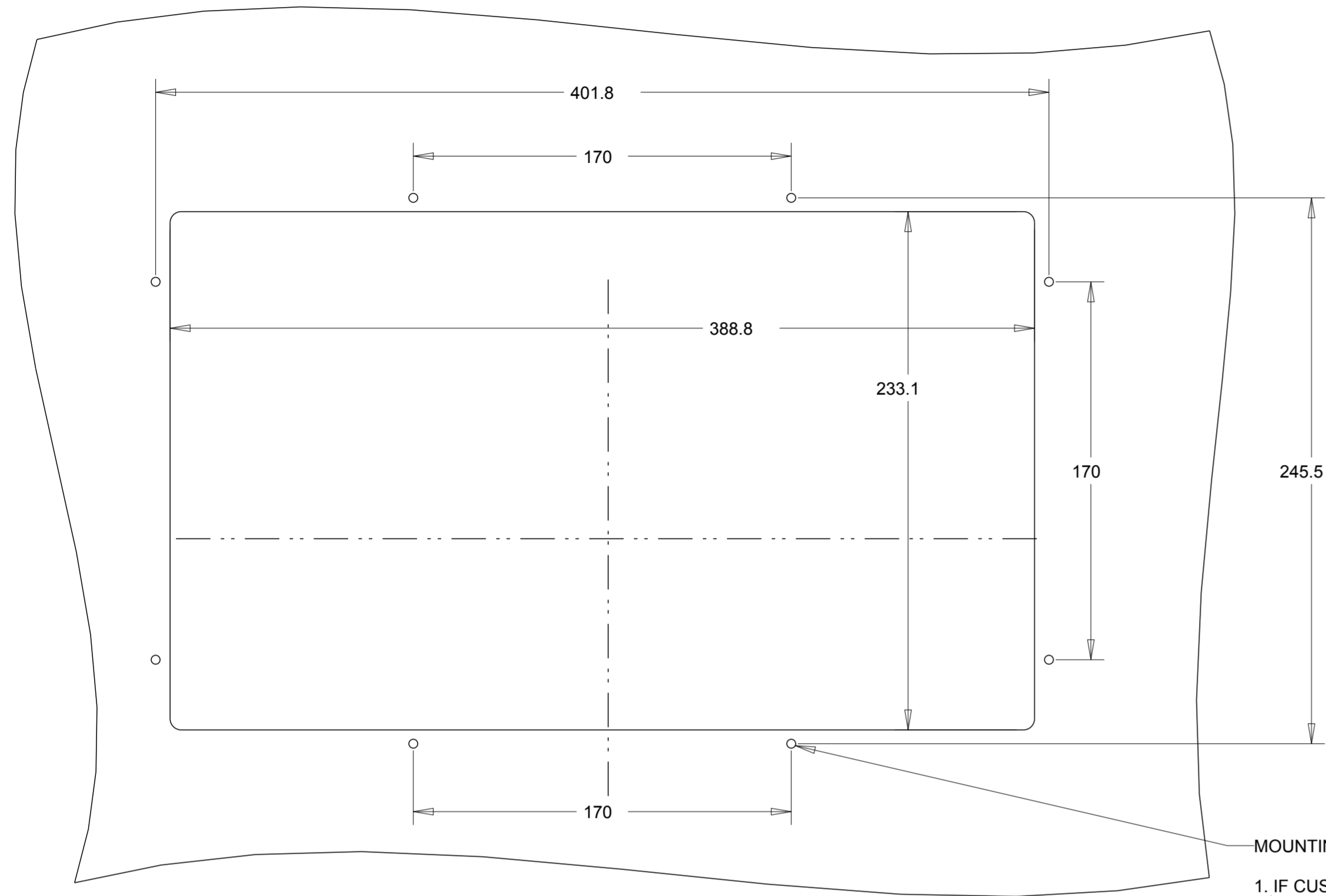
MOUNTING BRACKET ADJUSTMENT RANGE =
1 to 25.5MM

RECOMMENDED CUSTOMER
PANEL CUTOUT



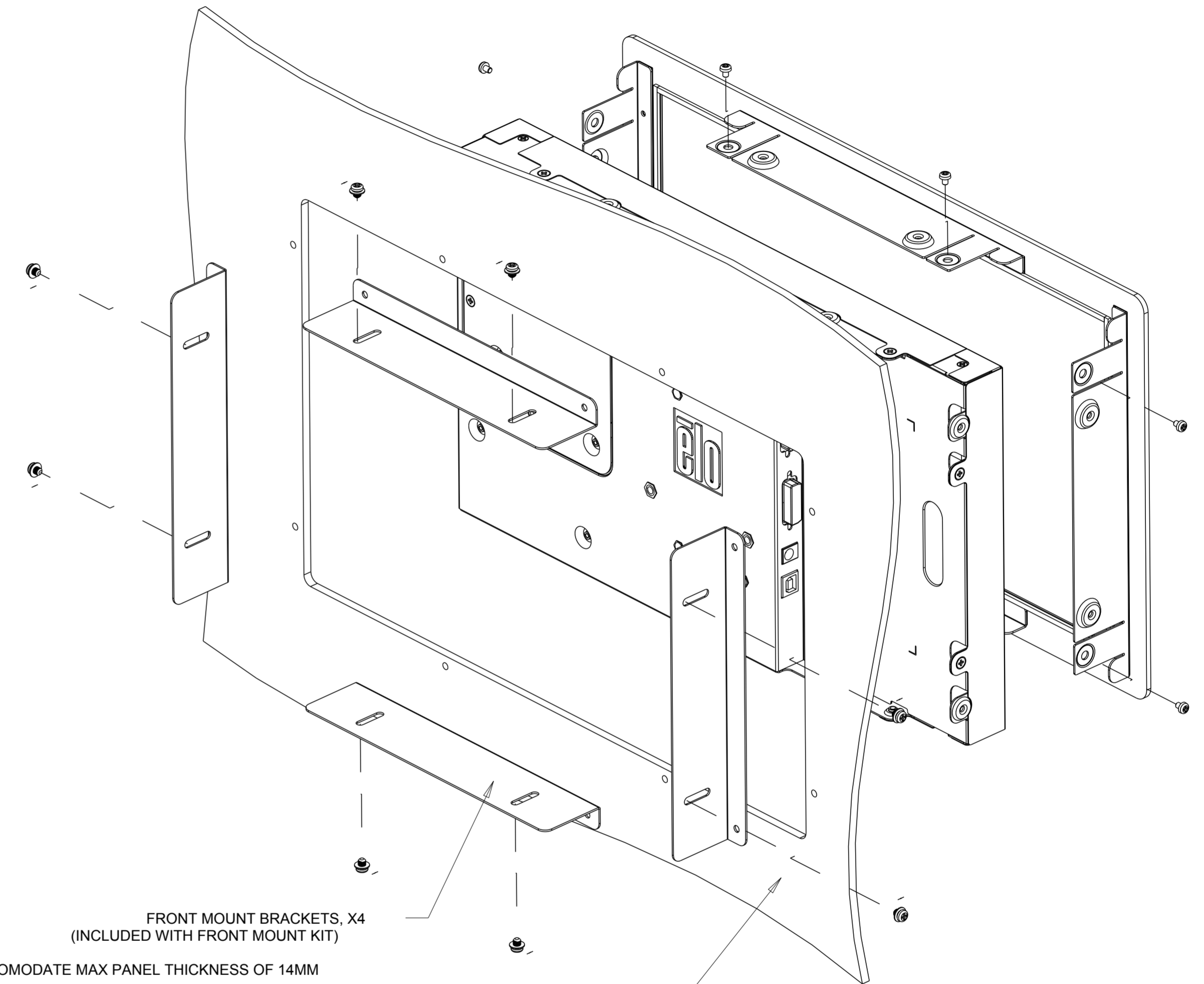
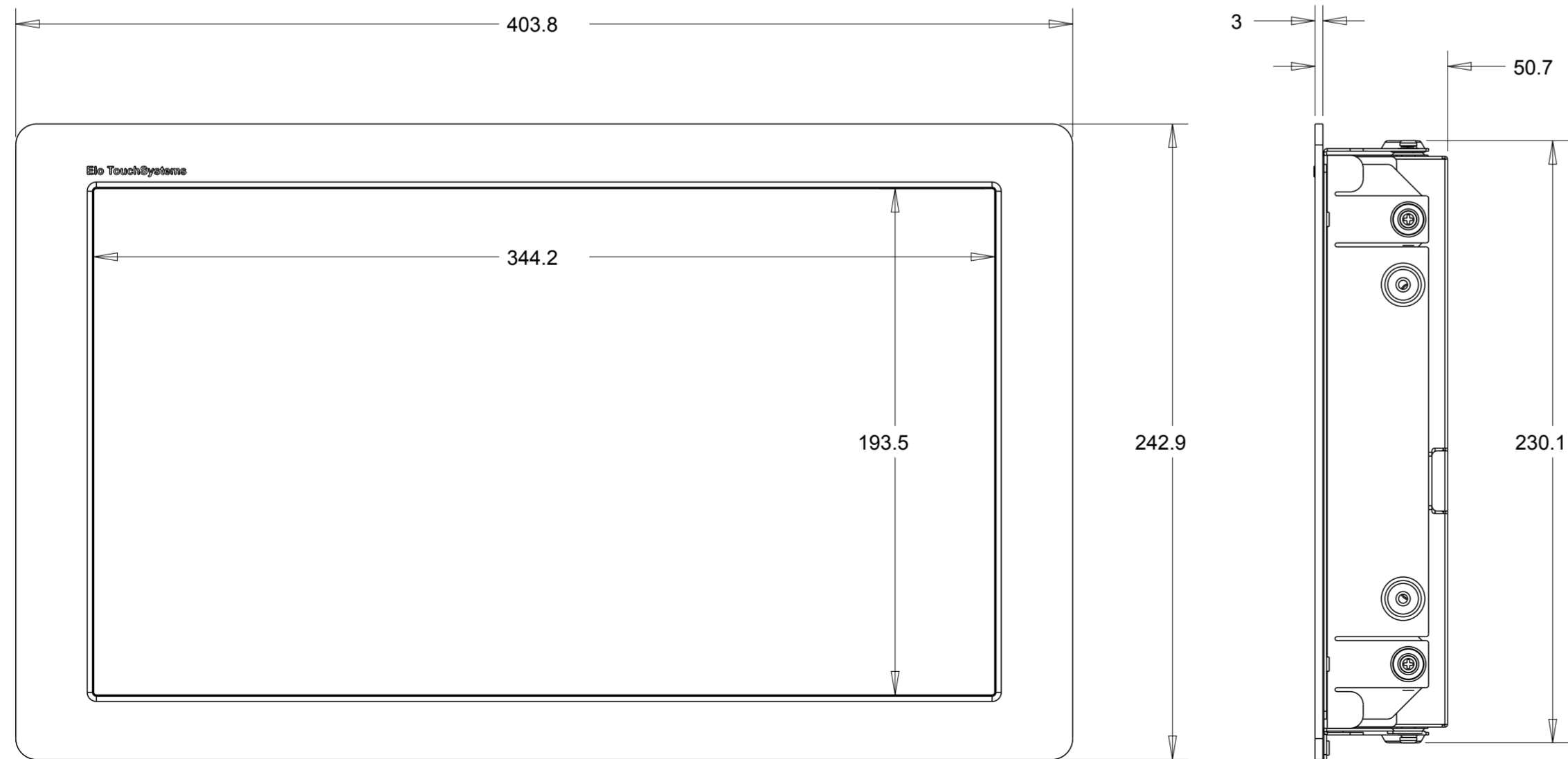
OPTIONAL FRONT MOUNT BEZEL KIT, P/N E711274
ORDERED SEPARATELY, CUSTOMER ASSEMBLED

RECOMMENDED CUSTOMER PANEL CUTOUT



MOUNTING HOLES, X8

1. IF CUSTOMER PANEL IS WOOD,
Ø 4.5MM THRU HOLES FOR M4 SCREWS
OR NO THRU HOLES, SCREWS FOR WOOD Ø 4MM
2. IF CUSTOMER PANEL IS SHEET METAL,
CONCEALED HEAD THREADED STUDS M4 WITH NUTS

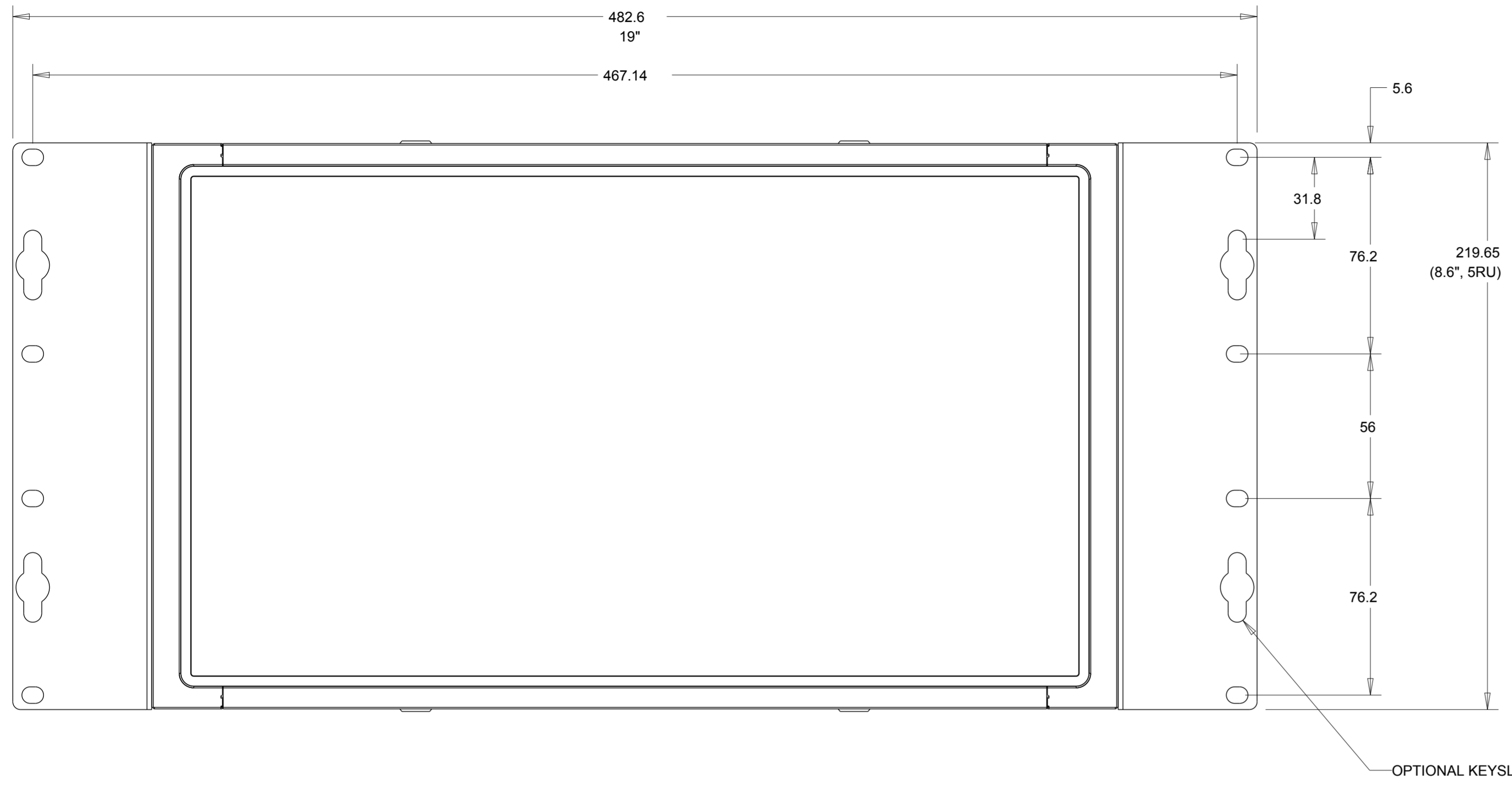


FRONT MOUNT BRACKETS, X4
(INCLUDED WITH FRONT MOUNT KIT)

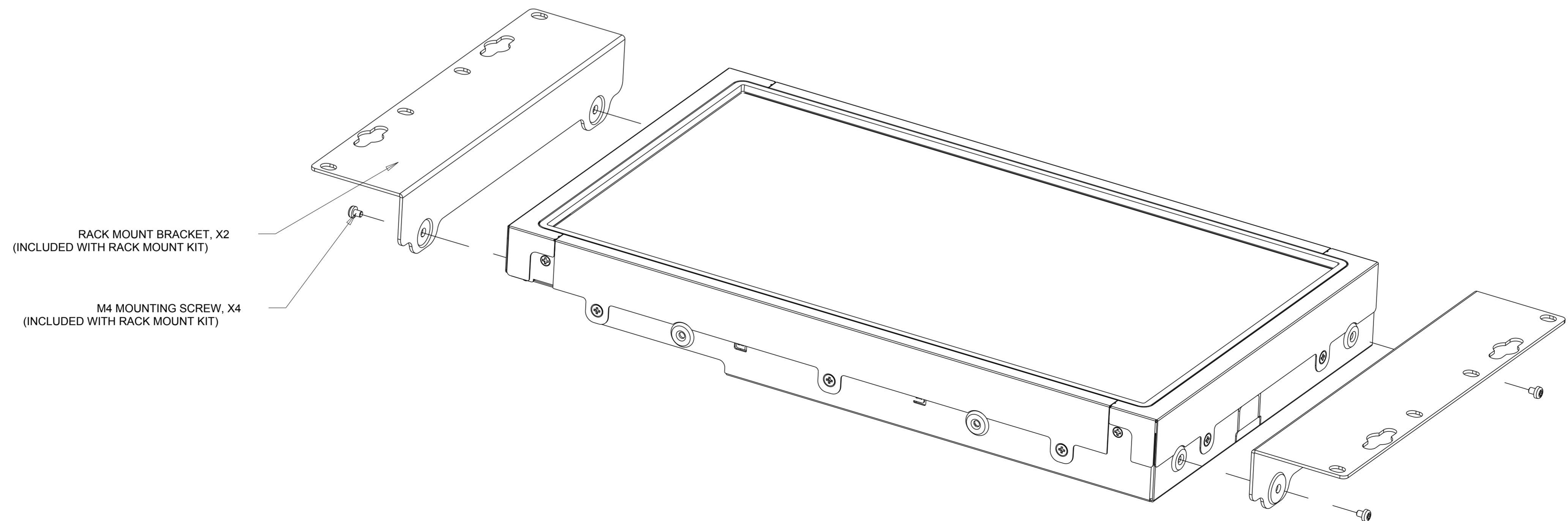
1. BRACKETS ACCOMODATE MAX PANEL THICKNESS OF 14MM

CUSTOMER PANEL

OPTIONAL RACK MOUNT BEZEL KIT, P/N E921202
 ORDERED SEPARATELY, CUSTOMER ASSEMBLED



1. MONITOR IS ORIENTED IN LANDSCAPE MODE
2. REQUIRES 5U AVAILABLE RACK SPACE
3. MOUNTING HOLE SPACING PER EIA-310-D
4. ADDITIONAL MOUNTING SCREWS (NOT INCLUDED) REQUIRED TO FASTEN MONITOR INTO CUSTOMER RACK



DIMENSIONS ARE IN MILLIMETERS