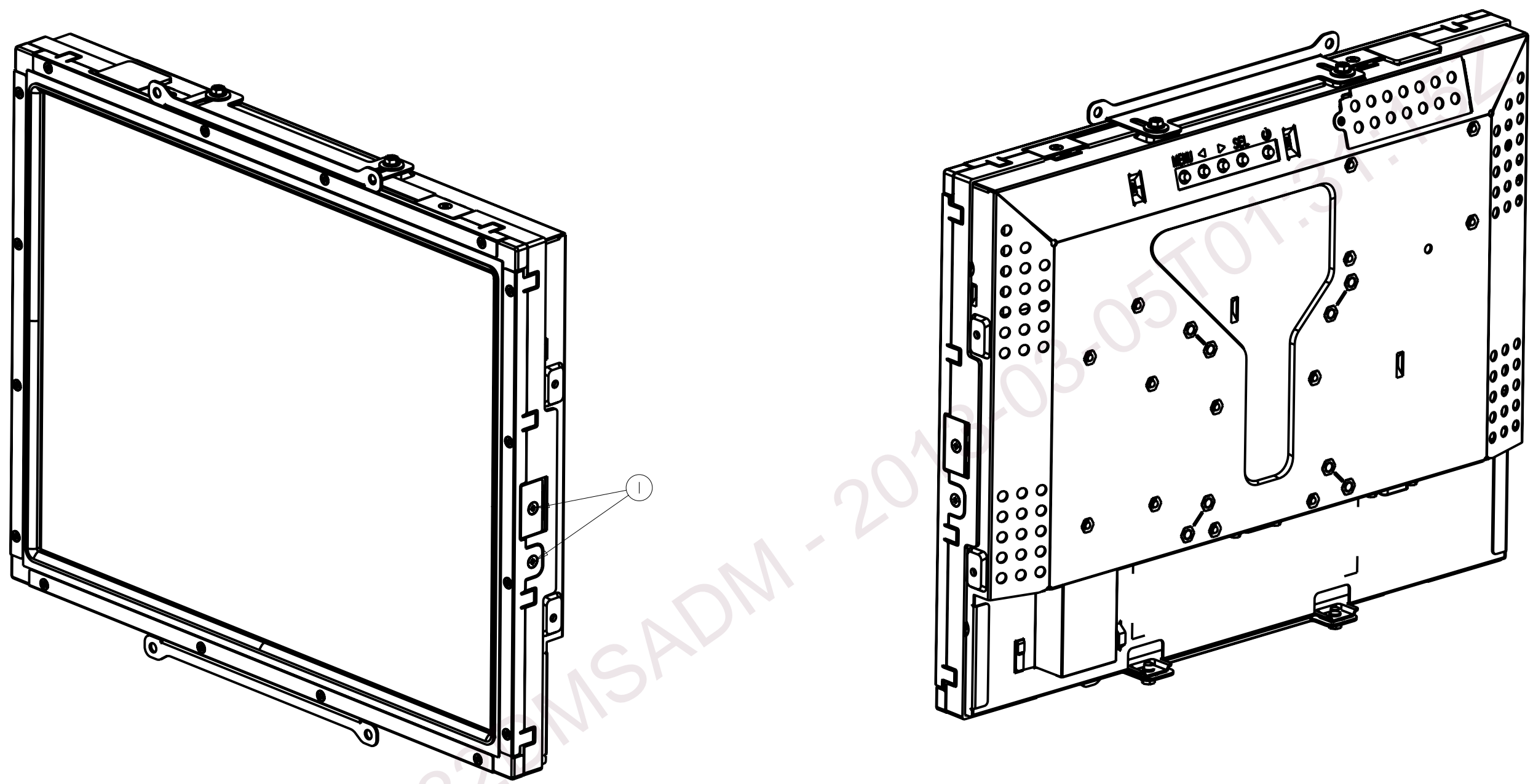


PROPRIETARY TO ELO TOUCHSYSTEMS, INC. AND SHALL NOT BE DISCLOSED
OTHER THAN TO NECESSARY EMPLOYEES OR SUPPLIERS WITHOUT THE
EXPRESS WRITTEN CONSENT OF ELO TOUCHSYSTEMS, INC.

REVISIONS					
REV	ZONE	BY	DESCRIPTION	DATE	APPROVED
A	--	PLC	INITIAL RoHS RELEASE PER ECO5569	12.13.05	



NOTE:
ITEM 1, M3 X 4 FLAT HEAD SCREW, TO BE
NYLON OR OTHER NON-CONDUCTIVE MATERIAL
FOR SURFACE CAPACITIVE VERSIONS (X10).
ALL OTHER TOUCH-SCREENS TO USE PLATED
STEEL OR STAINLESS M3 X 6 FLAT HEAD SCREWS (X10).

I	X	XXX	XXXXXX	XX
ITEM NO.	QTY REQ'D	FILE NAME OR PART NO.	DESCRIPTION	SHEET NO.
PARTS LIST				
PART. NO.	UNLESS OTHERWISE SPECIFIED ALL DIMENSIONS ARE IN MILLIMETERS	DRAWN P. CUTTING	DATE	TITLE
		CHECK K J N	DATE	
	TOLERANCES ARE:	DESIGN	DATE	
	DECIMALS	JEFF HALLER	12.13.05	
	ANGLES	THIRD ANGLE PROJECTION		
	FRACTIONS			
DO NOT SCALE DRAWING		SIZE	SCALE	SHEET
		D	0.750	1 OF 7
		DWG. NO.	REV	
		SD600167	A	

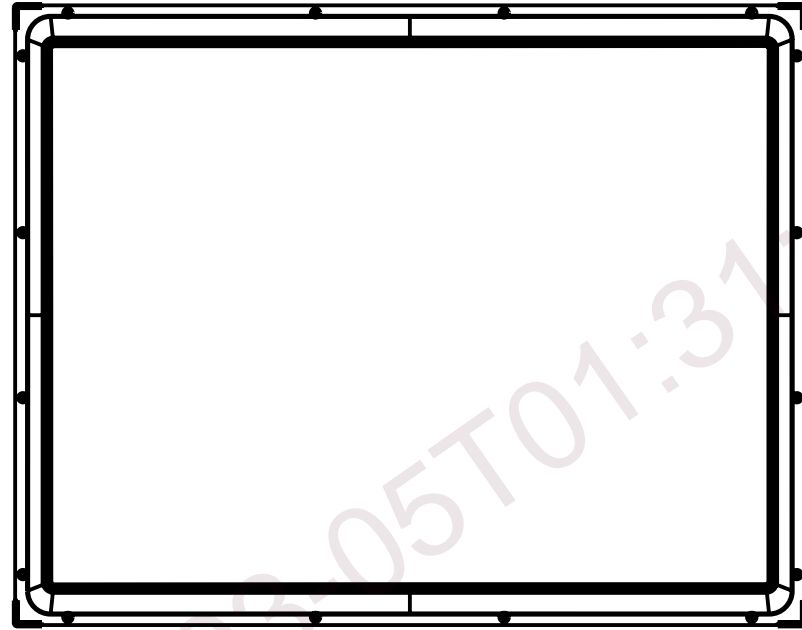
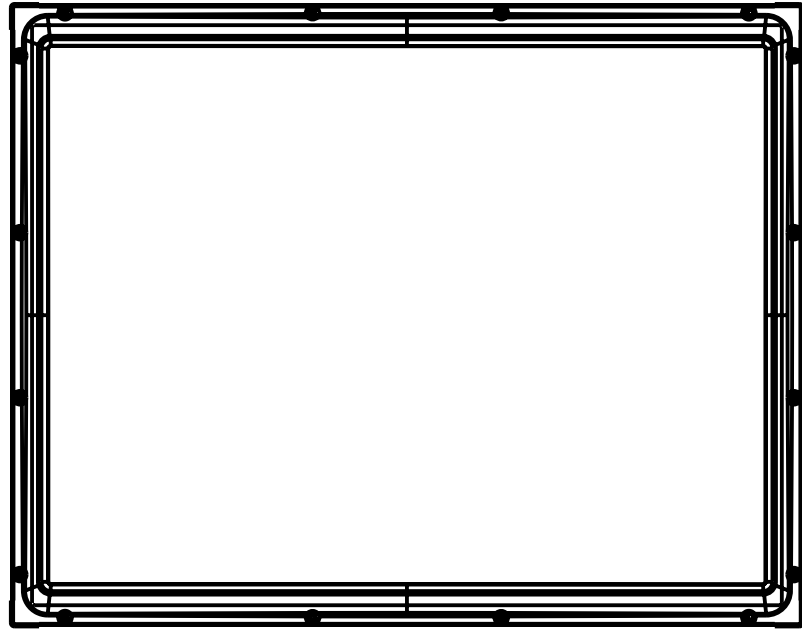
DWG. NO. SD600167

NOT the LATEST REVISION

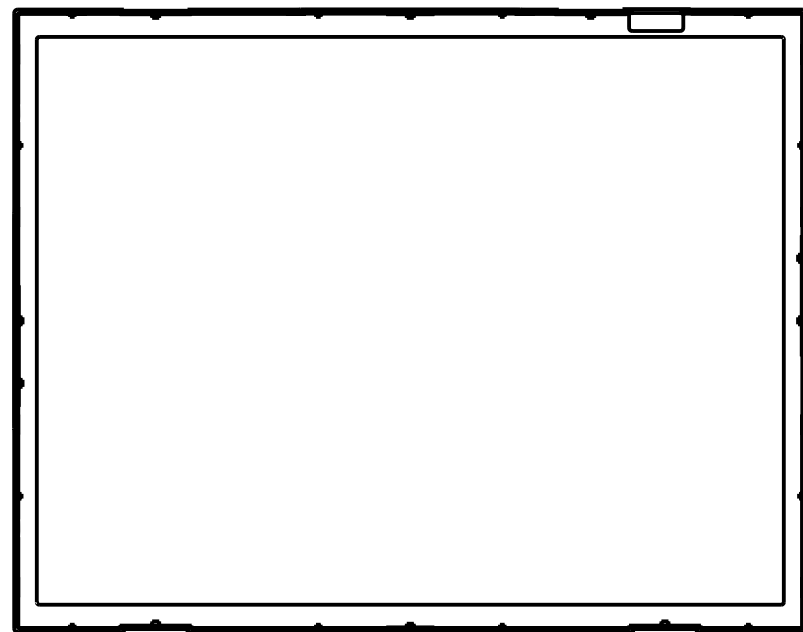
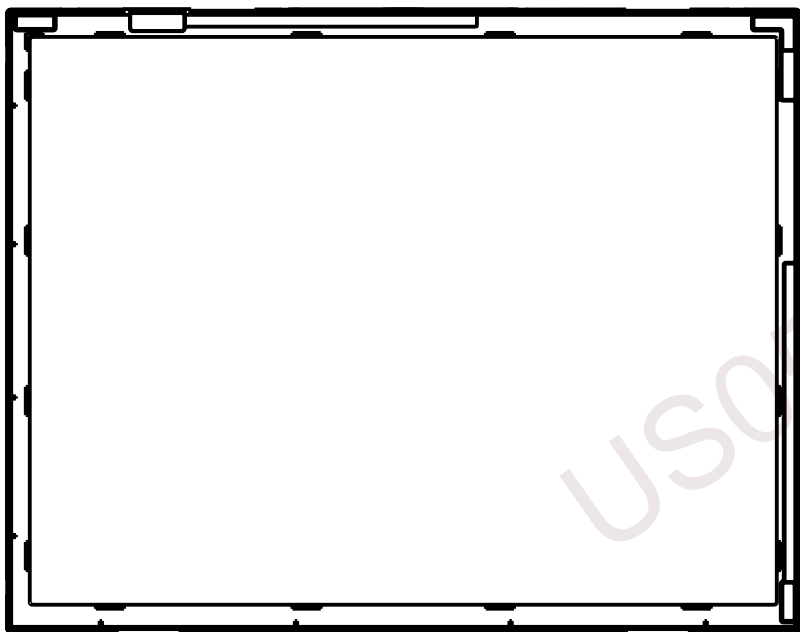
© ELO TOUCHSYSTEMS


PROPRIETARY TO ELO TOUCHSYSTEMS, INC. AND SHALL NOT BE DISCLOSED
OTHER THAN TO NECESSARY EMPLOYEES OR SUPPLIERS WITHOUT THE
EXPRESS WRITTEN CONSENT OF ELO TOUCHSYSTEMS, INC.

1537_BEZEL.PRT
MATERIAL: ABS, BLACK



1537_CLIP_FRAME.PRT
MATERIAL: ABS, BLACK.

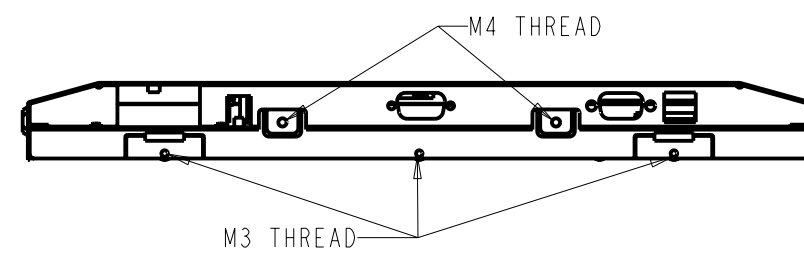
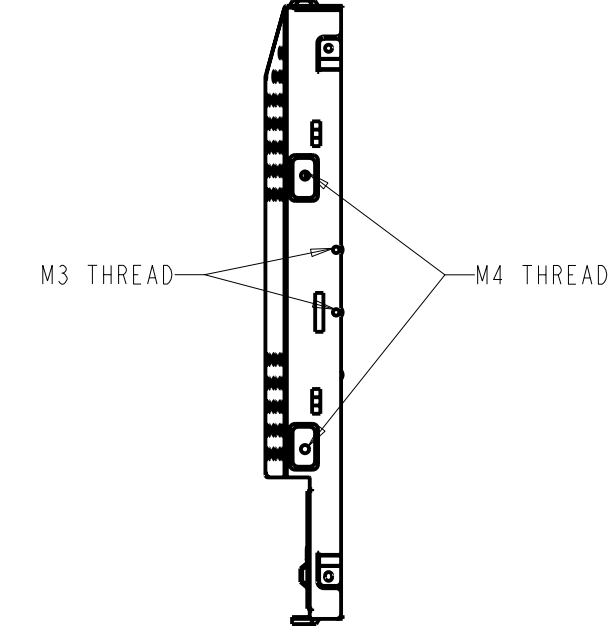
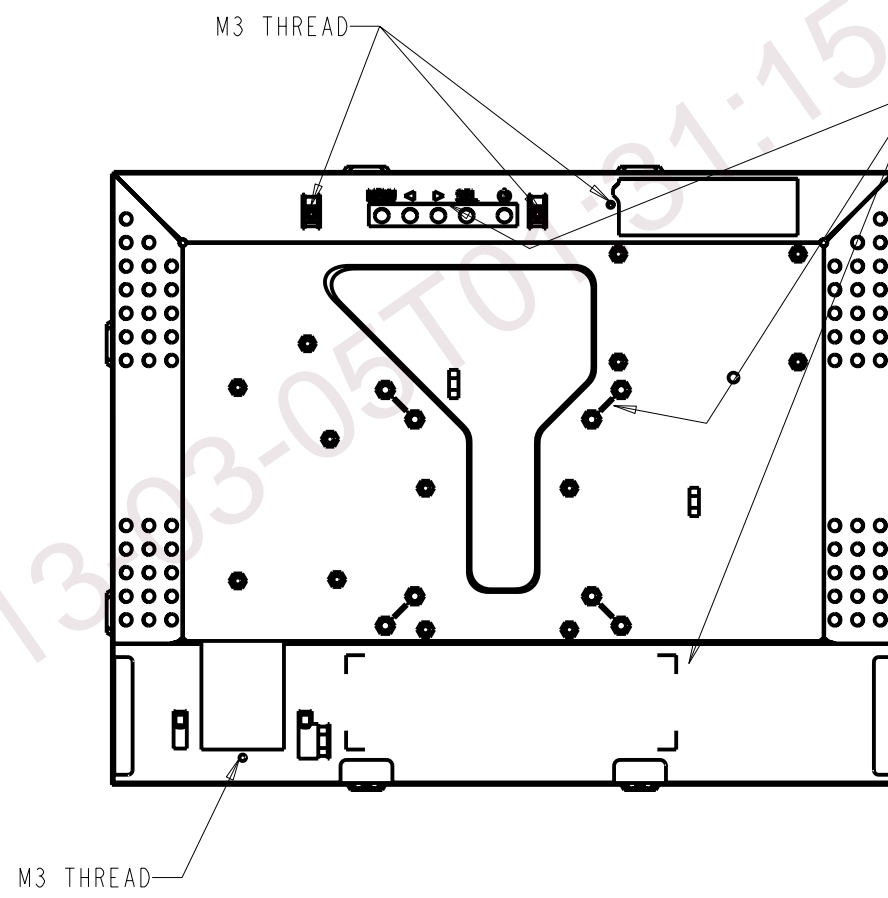
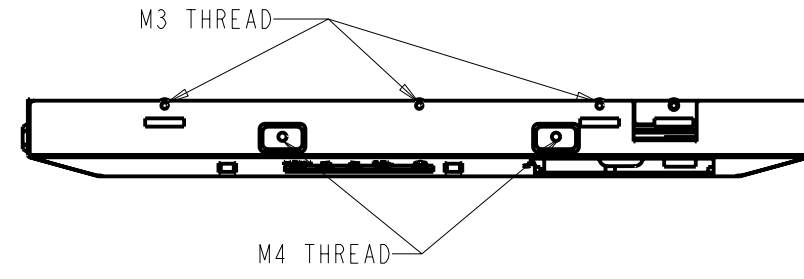
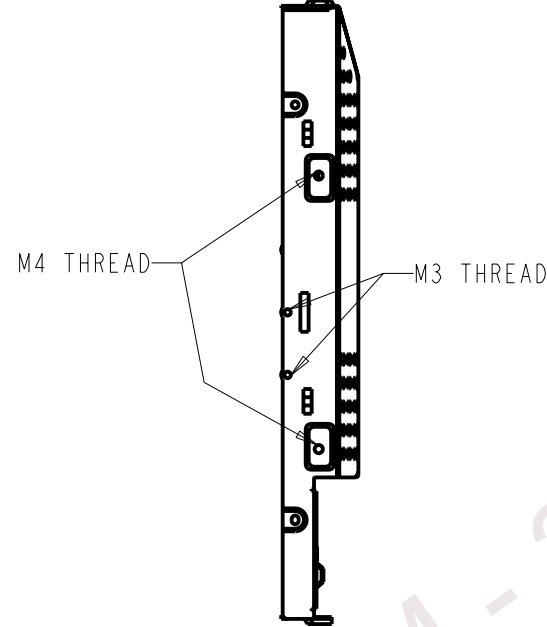
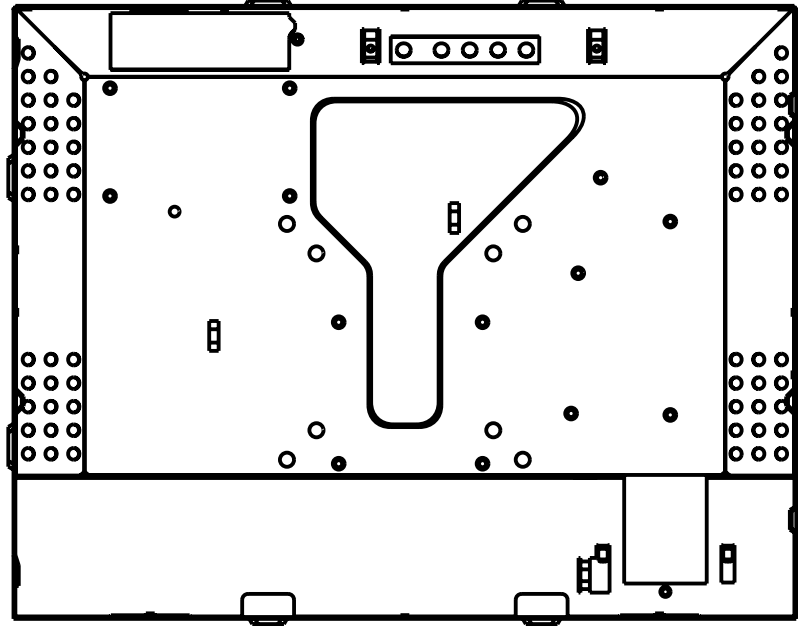


TITLE				
ETI537L RoHS				
SIZE	SCALE	SHEET	DWG. NO.	REV
D	0.750	2 OF 7	SD600167	A

SD600167
2 OF 7
REV A

PROPRIETARY TO ELO TOUCHSYSTEMS, INC. AND SHALL NOT BE DISCLOSED
OTHER THAN TO NECESSARY EMPLOYEES OR SUPPLIERS WITHOUT THE
EXPRESS WRITTEN CONSENT OF ELO TOUCHSYSTEMS, INC.

1537.SHIELD.ASM
MATERIAL: 0.8mm PRE-PLATE

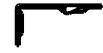
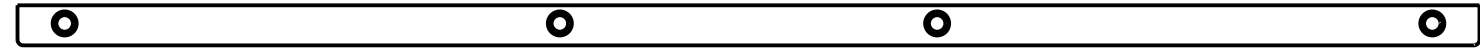


TITLE		ETI537L RoHS			
SIZE	SCALE	SHEET	DWG. NO.	REV	
D	0.750	3 OF 7	SD600167	A	

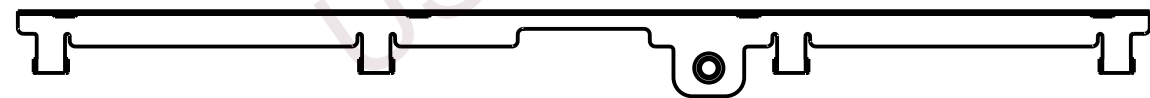
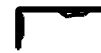
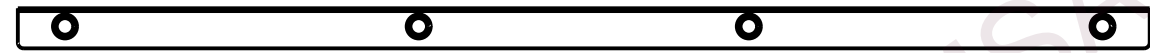
SD600167
3 OF 7
REV A

PROPRIETARY TO ELO TOUCHSYSTEMS, INC. AND SHALL NOT BE DISCLOSED
OTHER THAN TO NECESSARY EMPLOYEES OR SUPPLIERS WITHOUT THE
EXPRESS WRITTEN CONSENT OF ELO TOUCHSYSTEMS, INC.

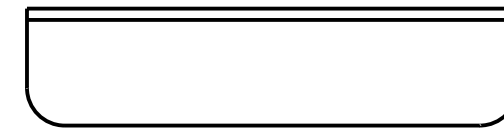
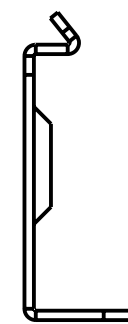
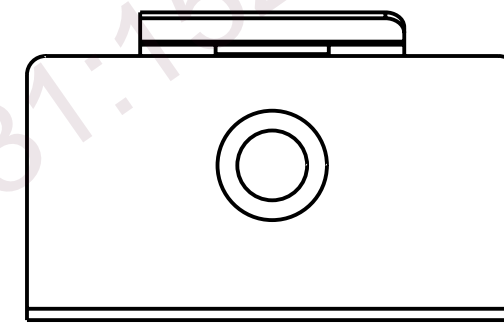
1537_BEZEL_BRACK_H.PRT
MATERIAL: 0.5mm SPRING STEEL




1537_BEZEL_BRACK_V.PRT
MATERIAL: 0.5mm SPRING STEEL



1537_TS_CLIP.PRT
MATERIAL: 0.5mm SPRING STEEL

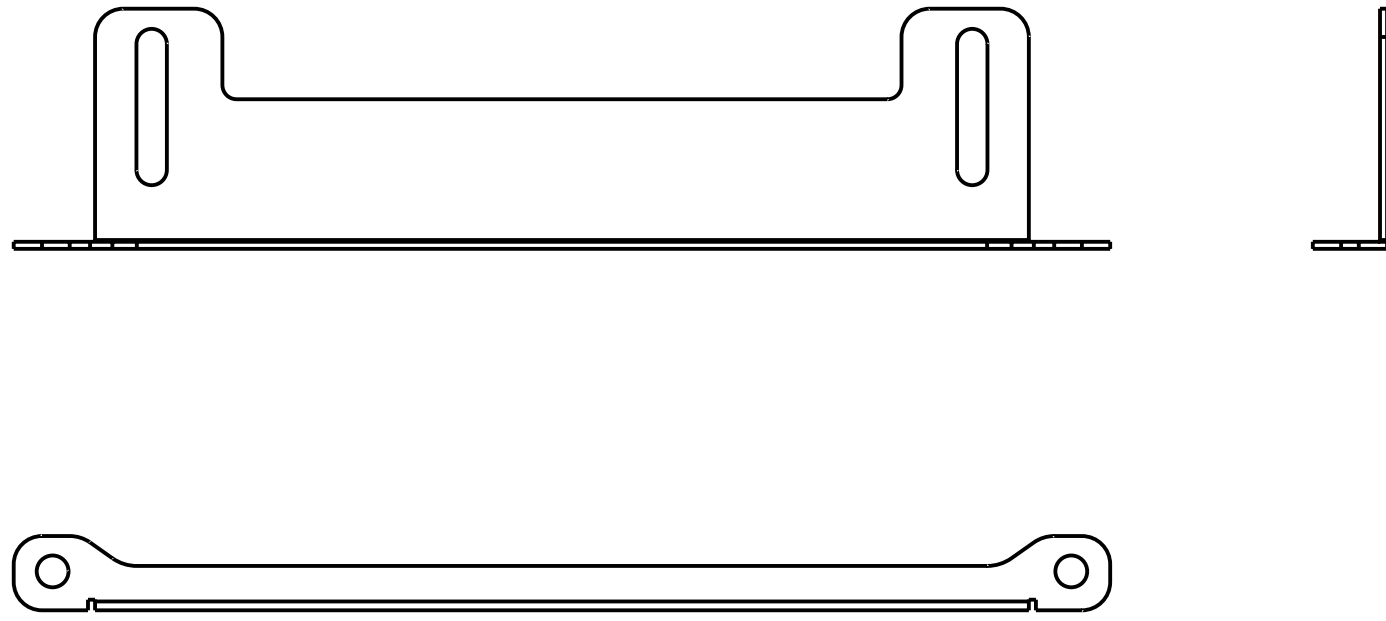


TITLE		ETI537L RoHS		
SIZE	SCALE	SHEET	DWG. NO.	
D	0.750	4 OF 7	SD600167	A

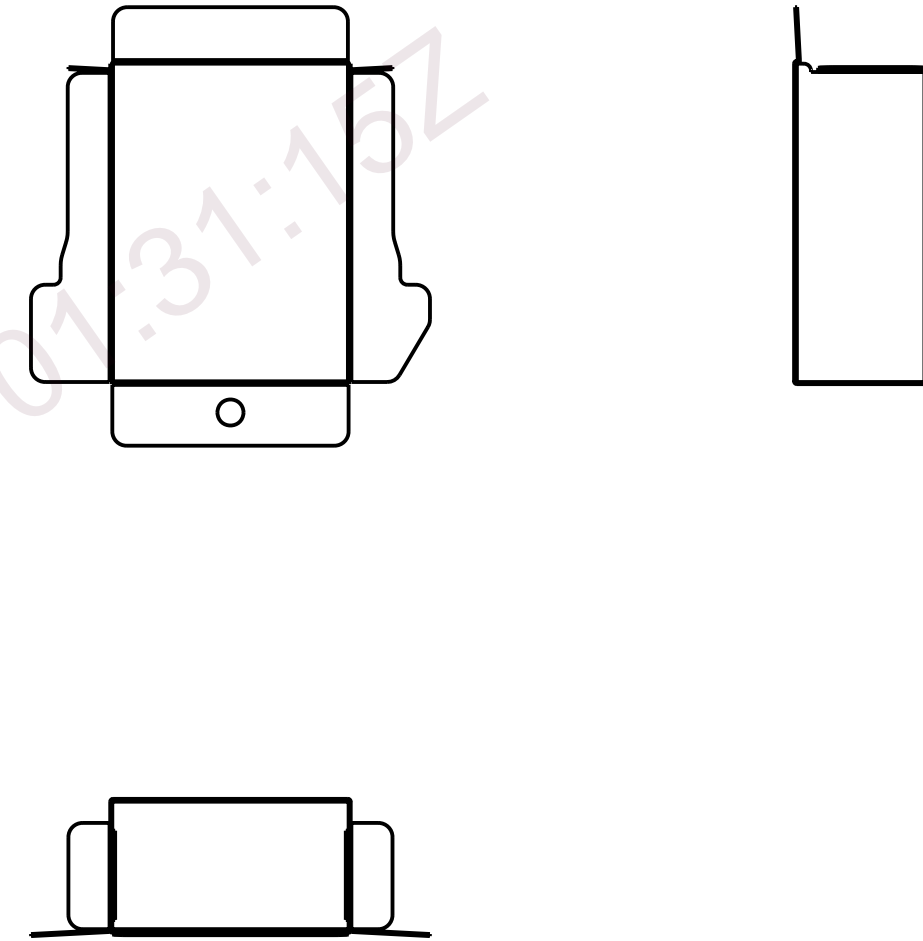
SD600167
4 OF 7
REV A

PROPRIETARY TO ELO TOUCHSYSTEMS, INC. AND SHALL NOT BE DISCLOSED
OTHER THAN TO NECESSARY EMPLOYEES OR SUPPLIERS WITHOUT THE
EXPRESS WRITTEN CONSENT OF ELO TOUCHSYSTEMS, INC.

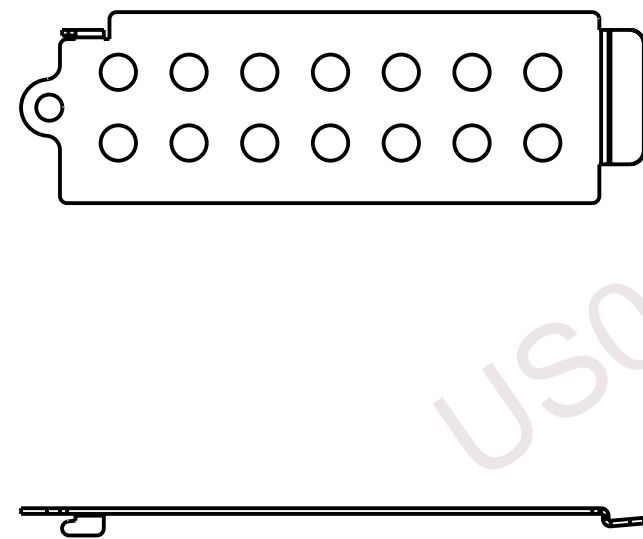
1537_L-BRACKET.PRT
MATERIAL: 1.0mm PRE-PLATE



1537_SHIELD_INV_CVR.PRT
MATERIAL: 0.30mm PRE-PLATE



1537_SHIELD_DOOR.PRT
MATERIAL: 0.8mm PRE-PLATE



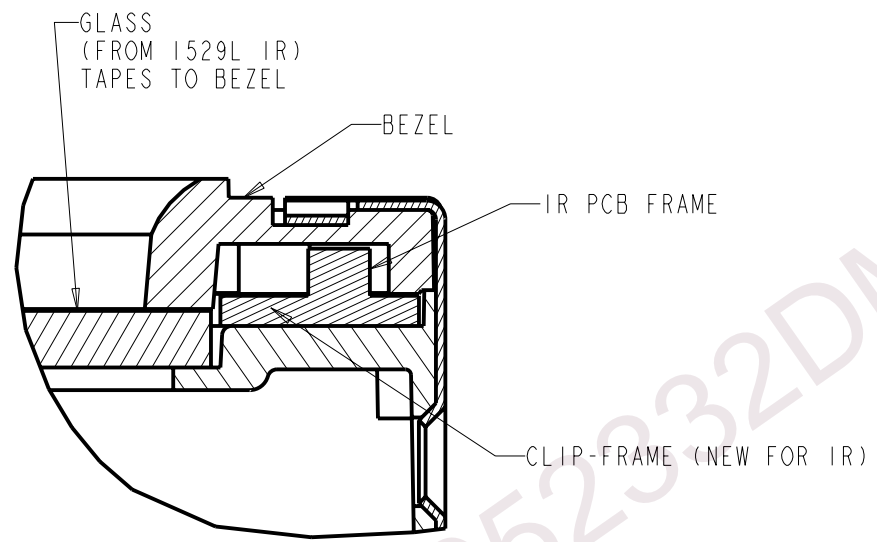
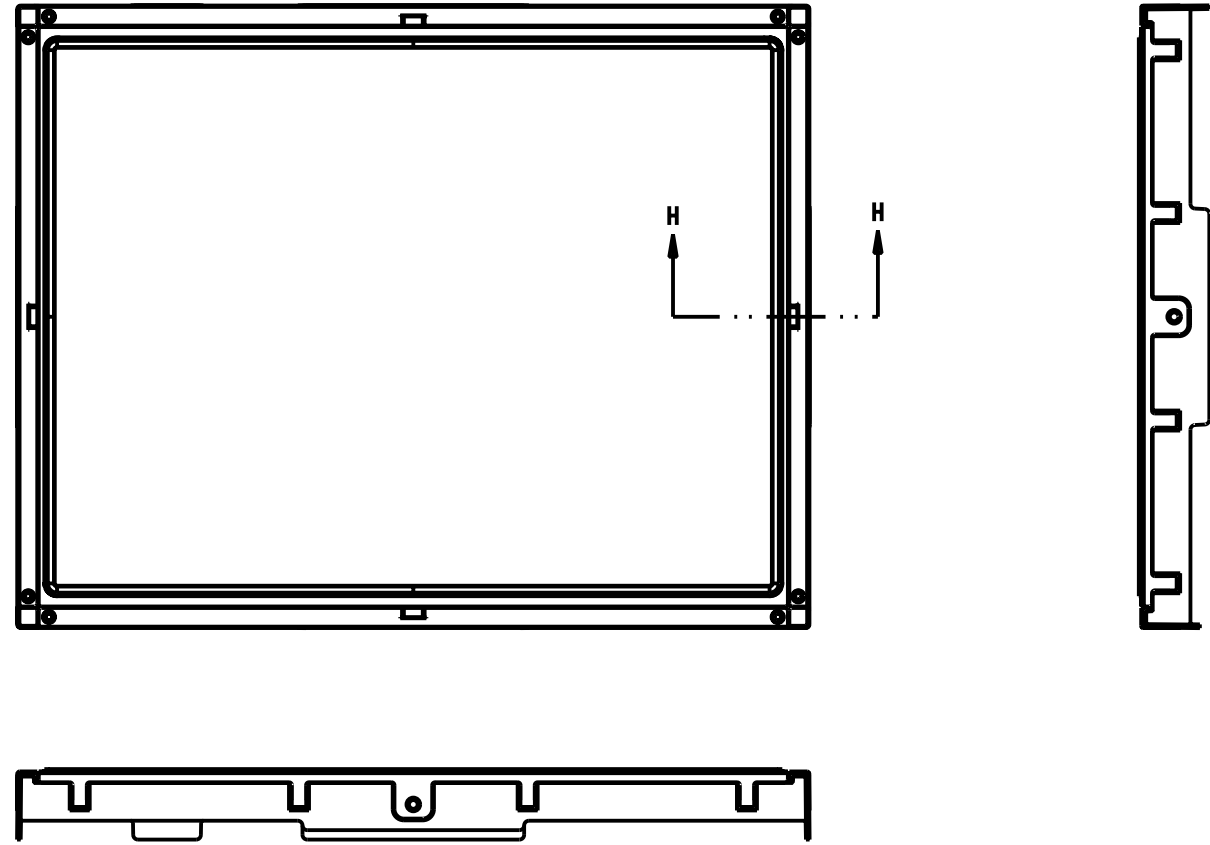
TITLE				
ETI537L RoHS				
SIZE	SCALE	SHEET	DWG. NO.	REV
D	0.750	5 OF 7	SD600167	A

3 OF 7 REV A

DWG. NO. SD600167

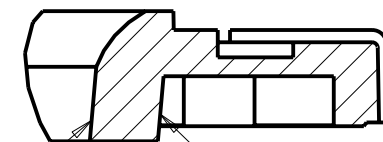
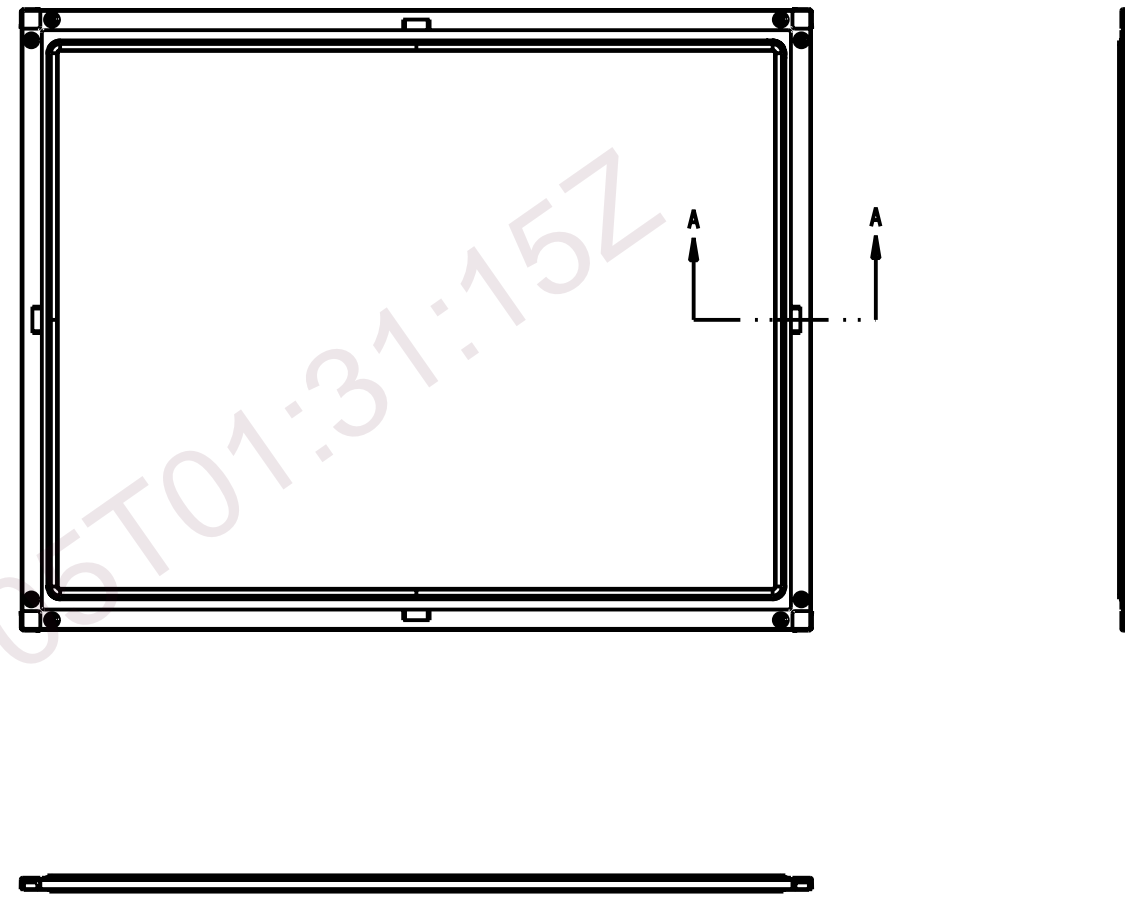
PROPRIETARY TO ELO TOUCHSYSTEMS, INC. AND SHALL NOT BE DISCLOSED
OTHER THAN TO NECESSARY EMPLOYEES OR SUPPLIERS WITHOUT THE
EXPRESS WRITTEN CONSENT OF ELO TOUCHSYSTEMS, INC.

1537_IR_BEZEL.ASM



SECTION H-H
SCALE 4.000

1537_IR_BEZEL.PRT
MATERIAL: IR TINTED PC



SECTION A-A
SCALE 4.000

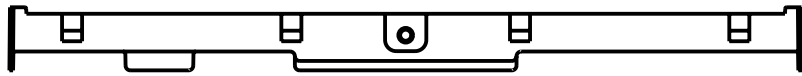
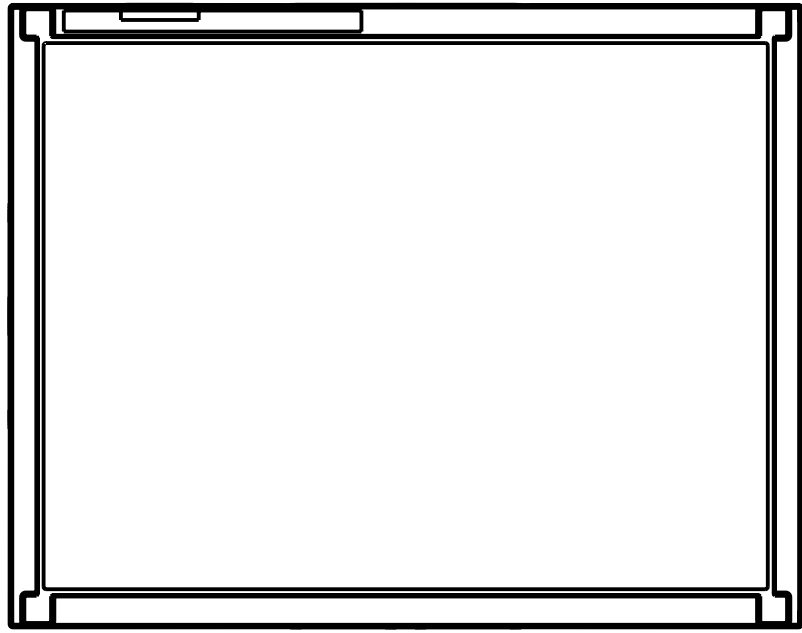
SPI-SPE #2, FINISH,
360° AROUND

TITLE		ETI537L RoHS		
SIZE	SCALE	SHEET	DWG. NO.	
D	0.750	6 OF 7	SD600167	A

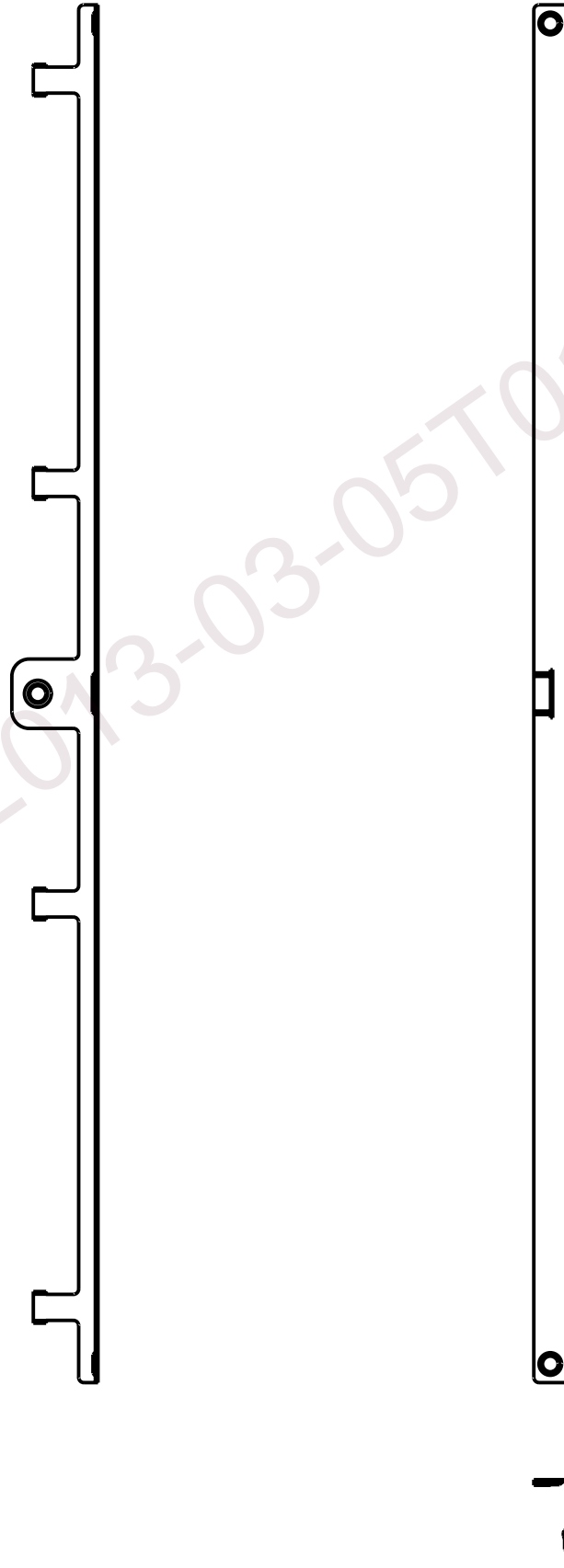
SD600167
REV A

PROPRIETARY TO ELO TOUCHSYSTEMS, INC. AND SHALL NOT BE DISCLOSED
OTHER THAN TO NECESSARY EMPLOYEES OR SUPPLIERS WITHOUT THE
EXPRESS WRITTEN CONSENT OF ELO TOUCHSYSTEMS, INC.

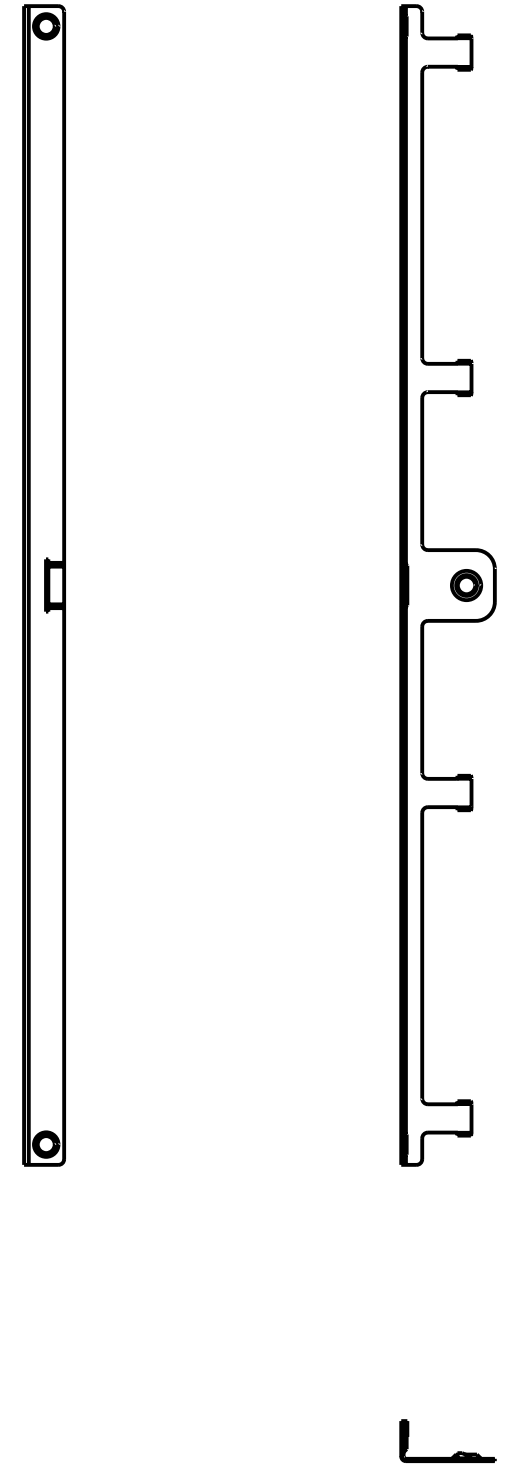
1537_IR_CLIP-FRAME.PRT
MATERIAL: BLACK ABS




1537_IR_BEZ_BRACK_H.PRT
MATERIAL: 0.50mm SPRING STEEL



1537_IR_BEZ_BRACK_V.PRT
MATERIAL: 0.50mm SPRING STEEL



US052332DMSADM - 2013-03-05T01:31:15Z

TITLE		ETI537L RoHS		
SIZE	SCALE	SHEET	DWG. NO.	
D	0.750	7 OF 7	SD600167	A

DWG. NO. SD600167
SHEET 7 OF 7
REV. A