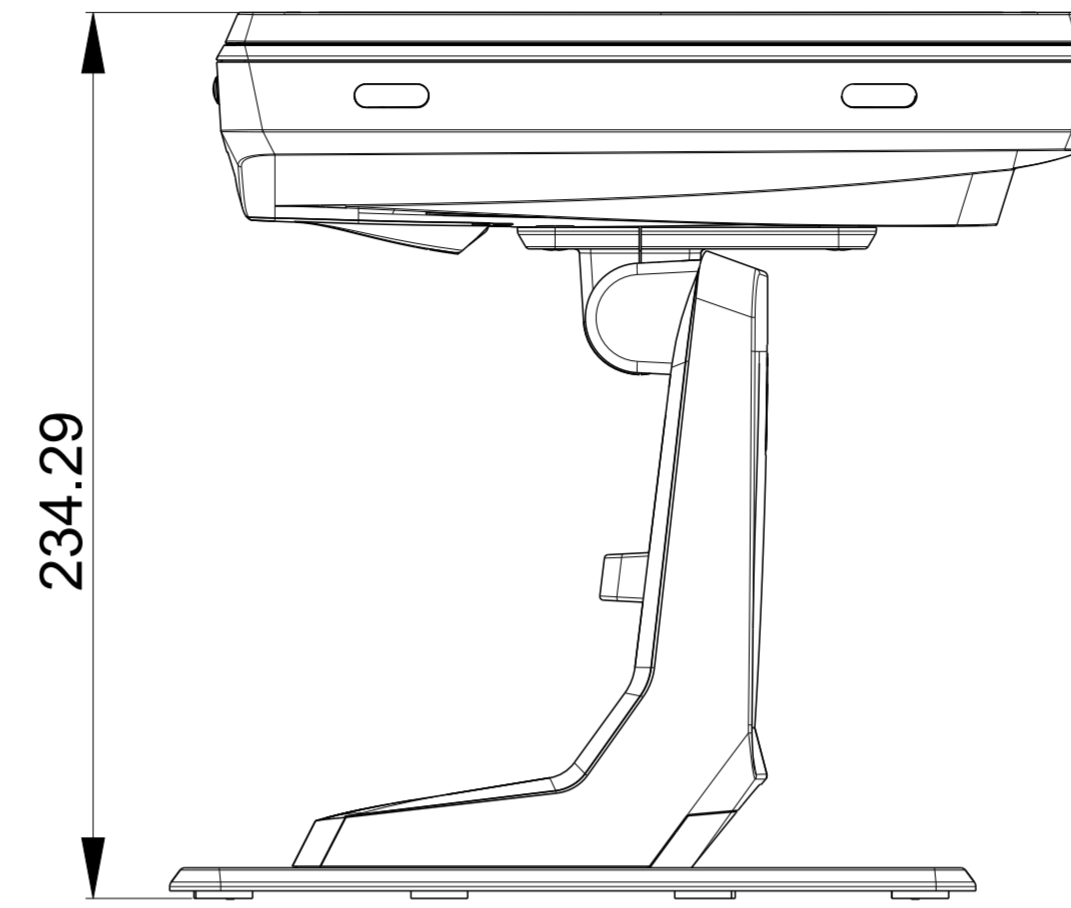
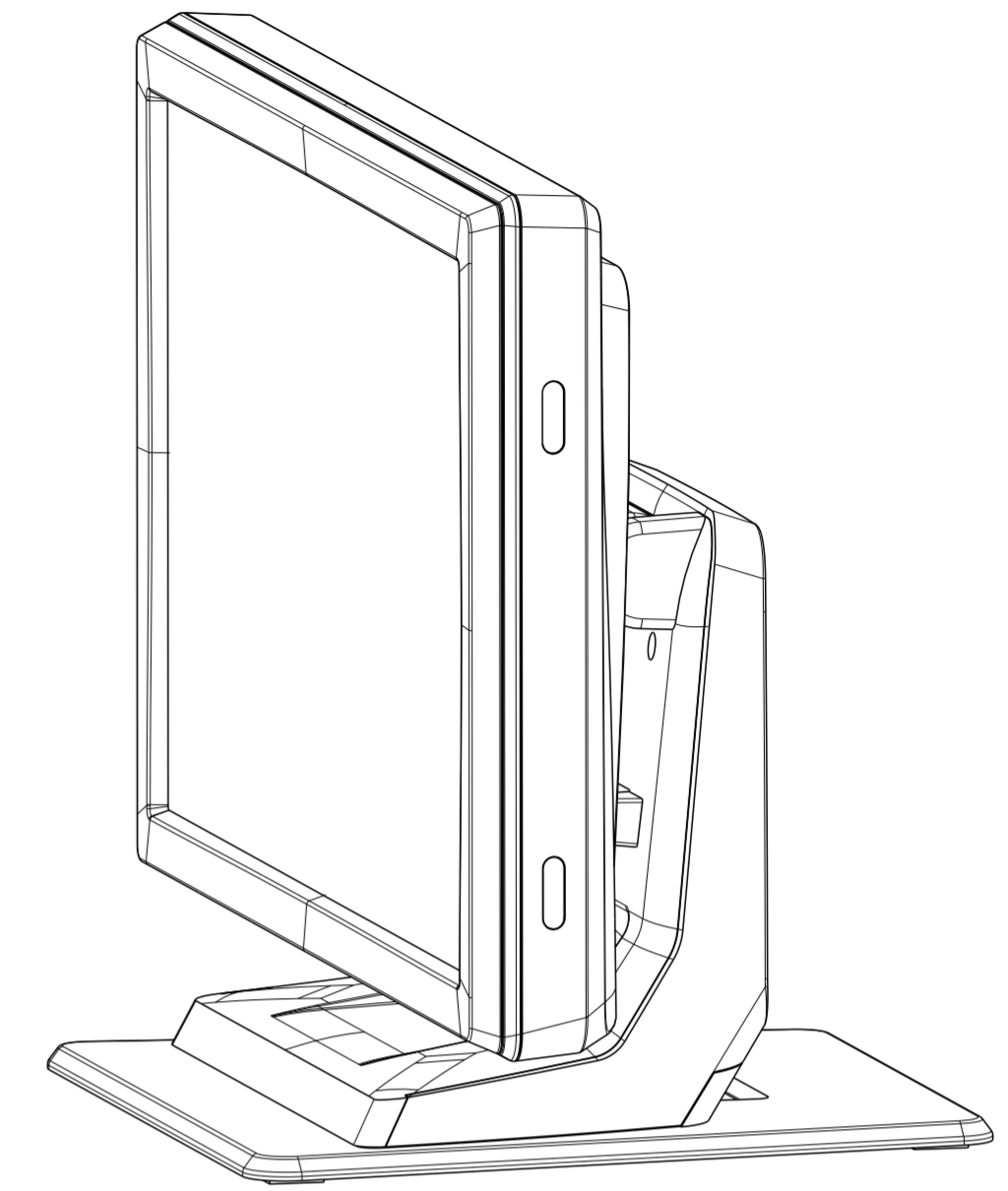


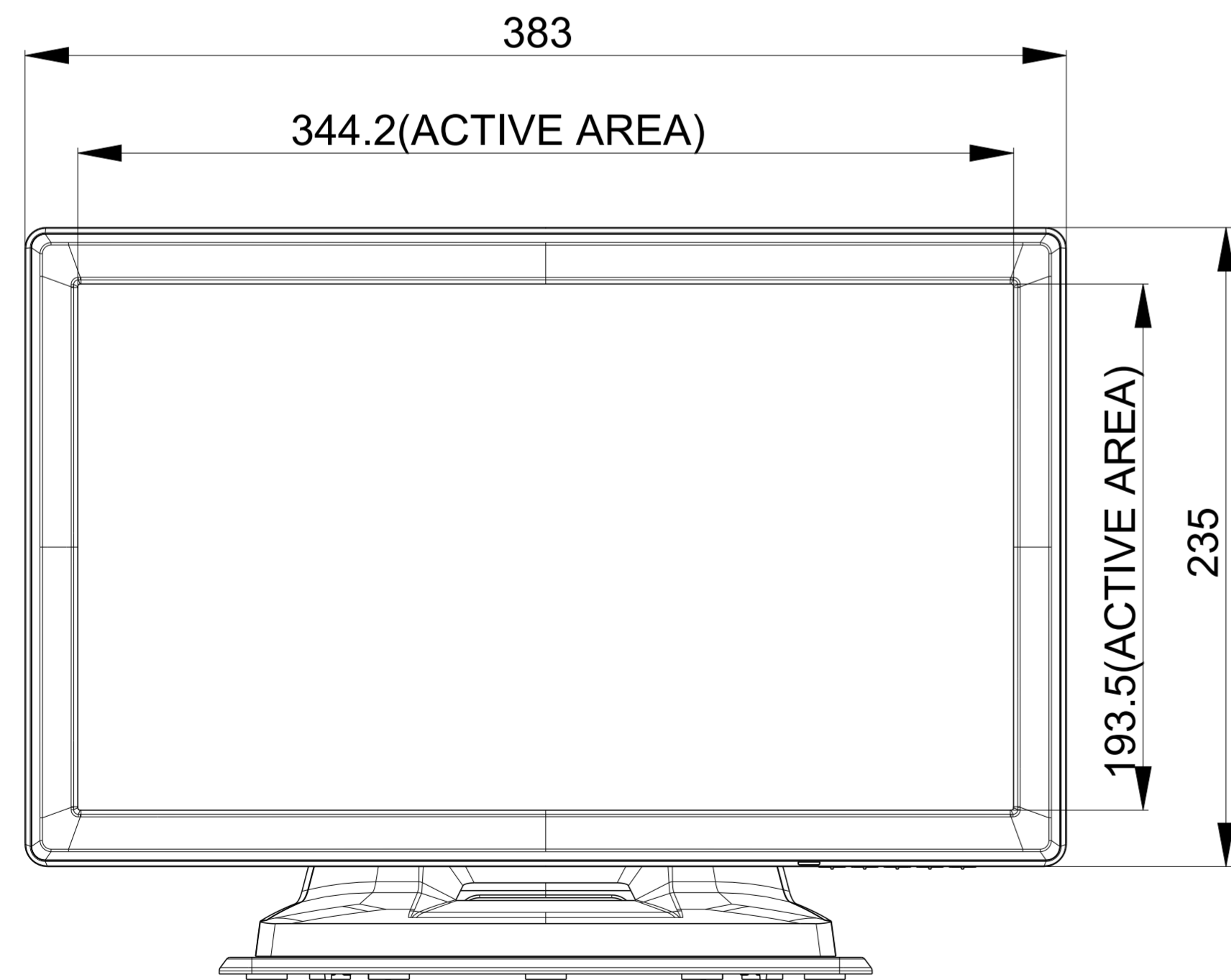
TILT:-5° FROM VERT



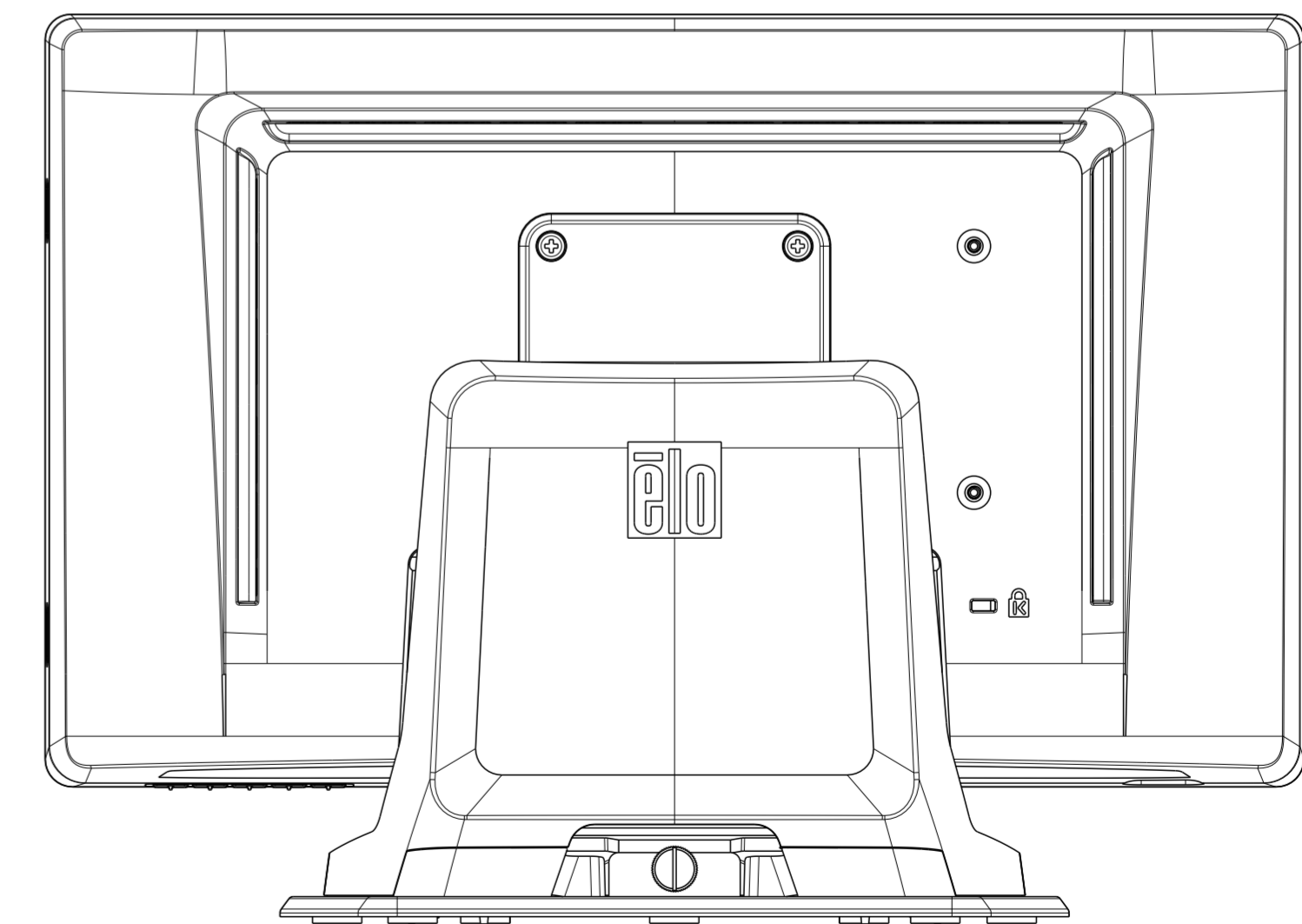
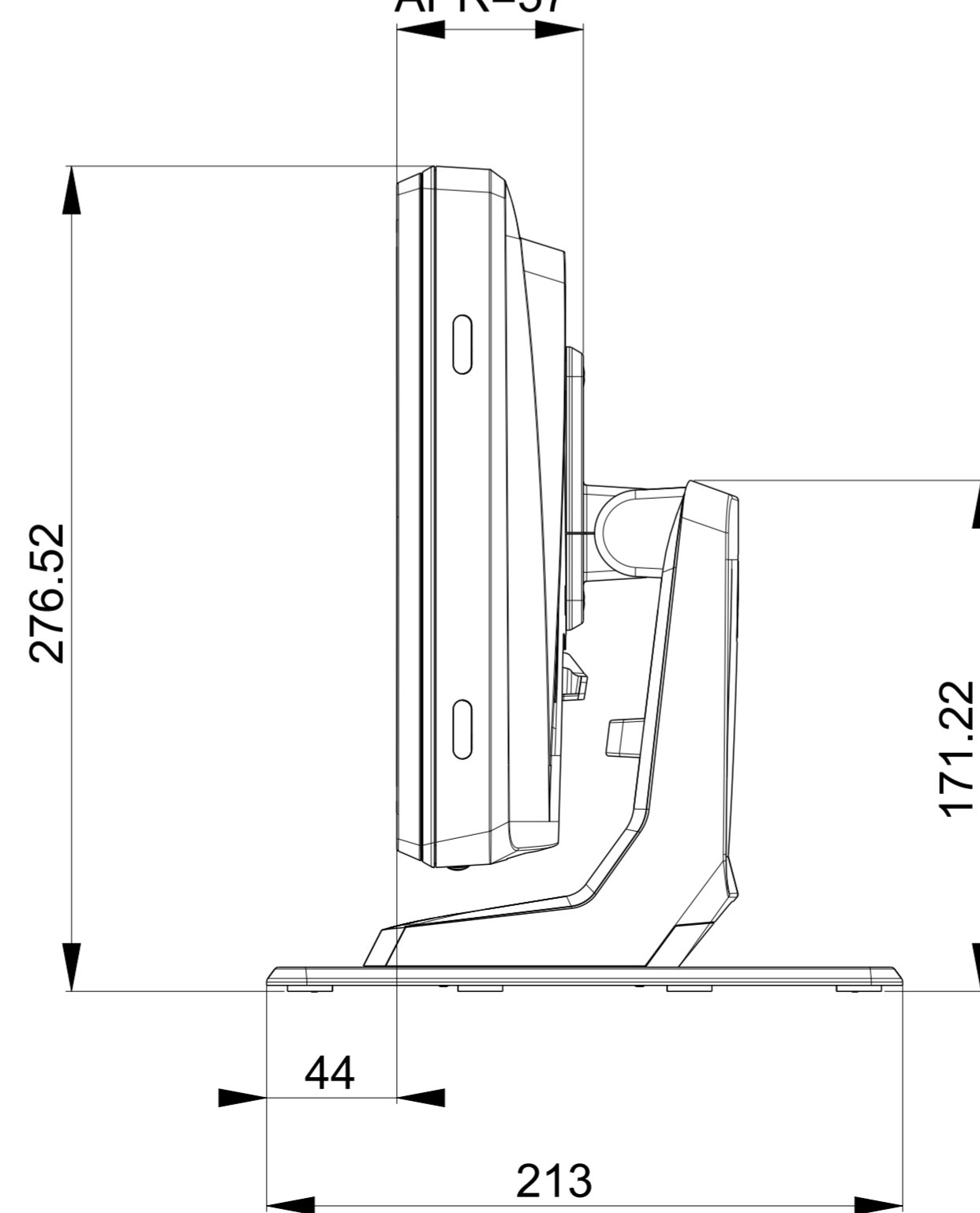
TILT:90° FROM VERT

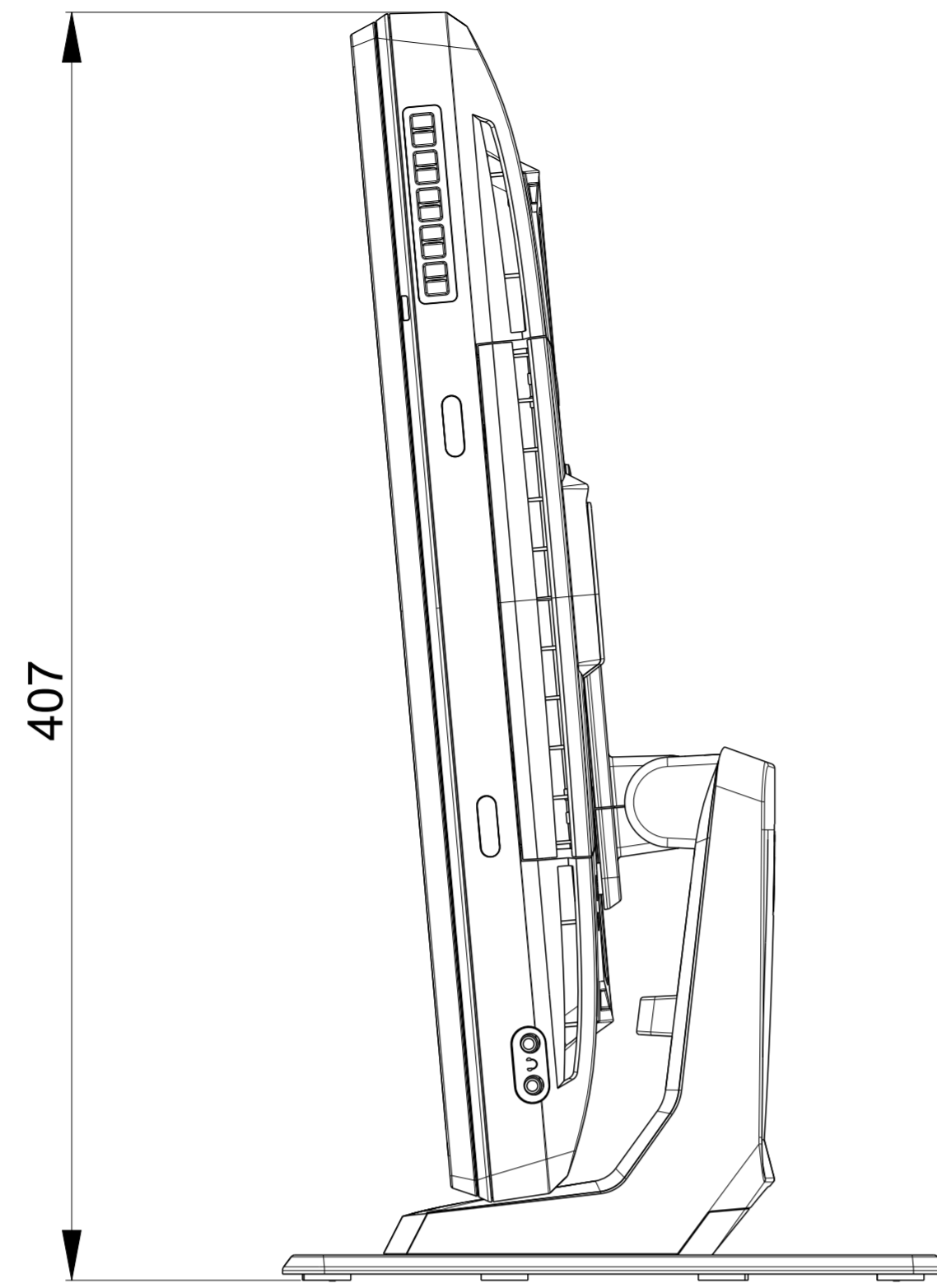


SCALE 0.500

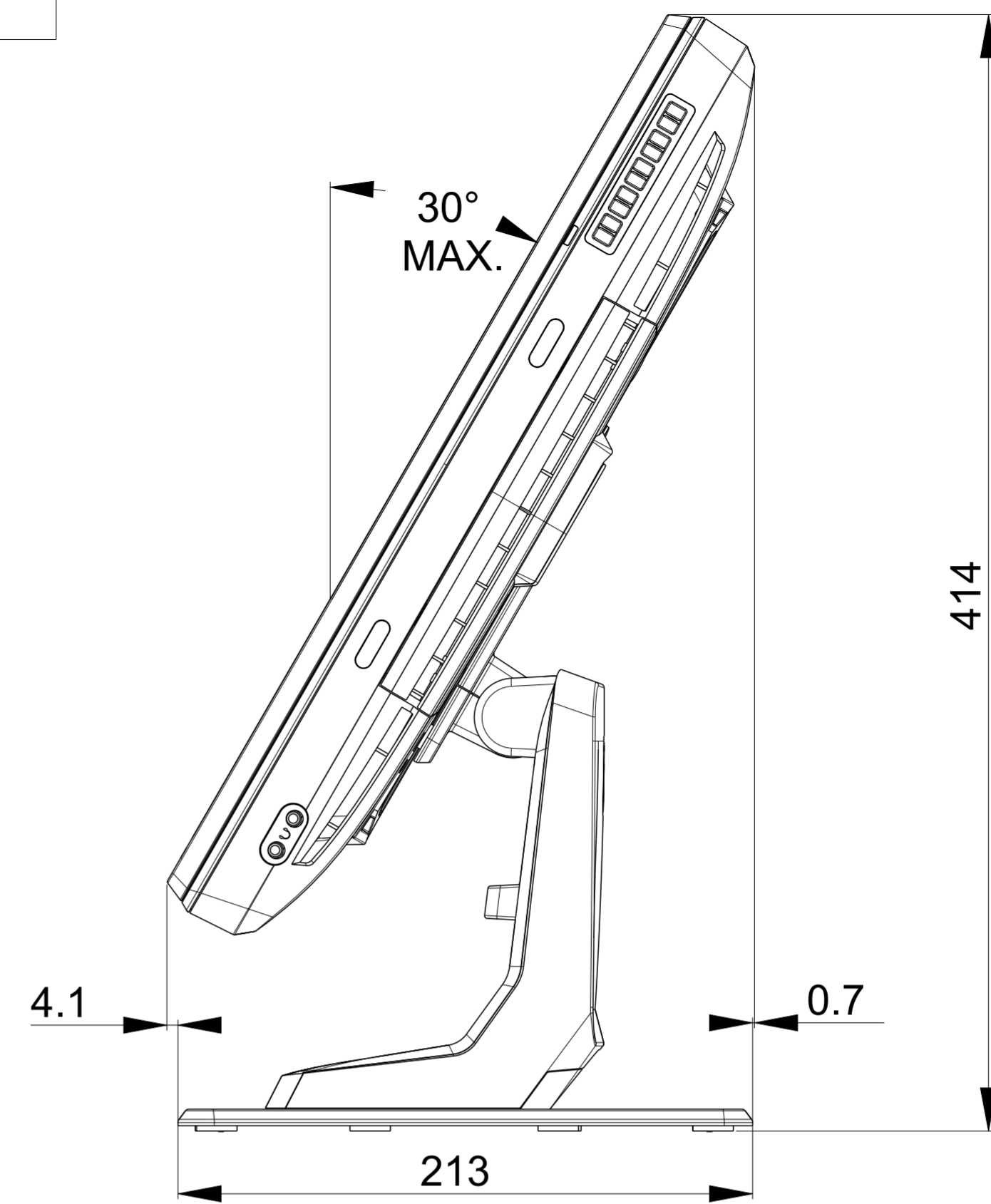


IT=63  
AT=58  
APR=57

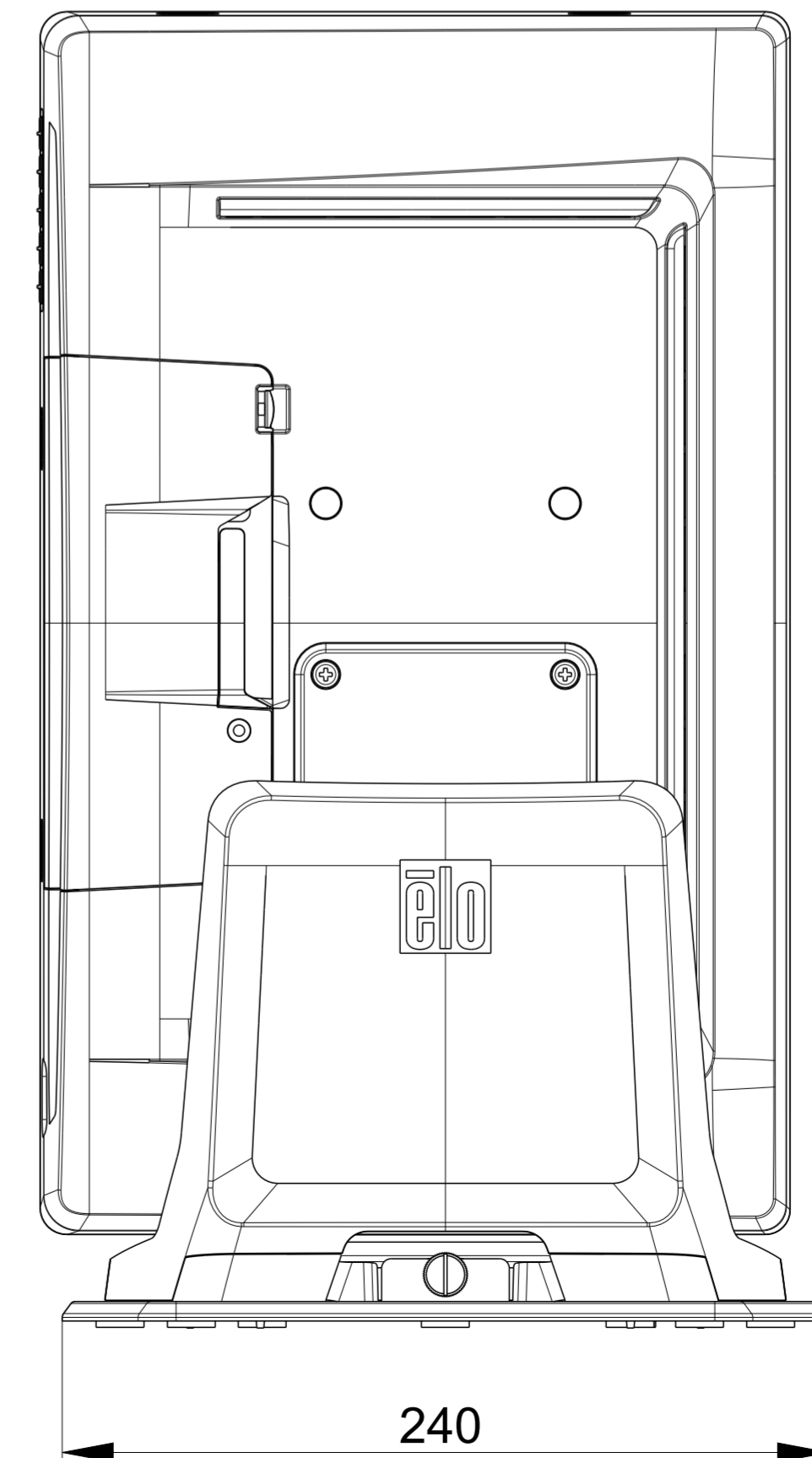
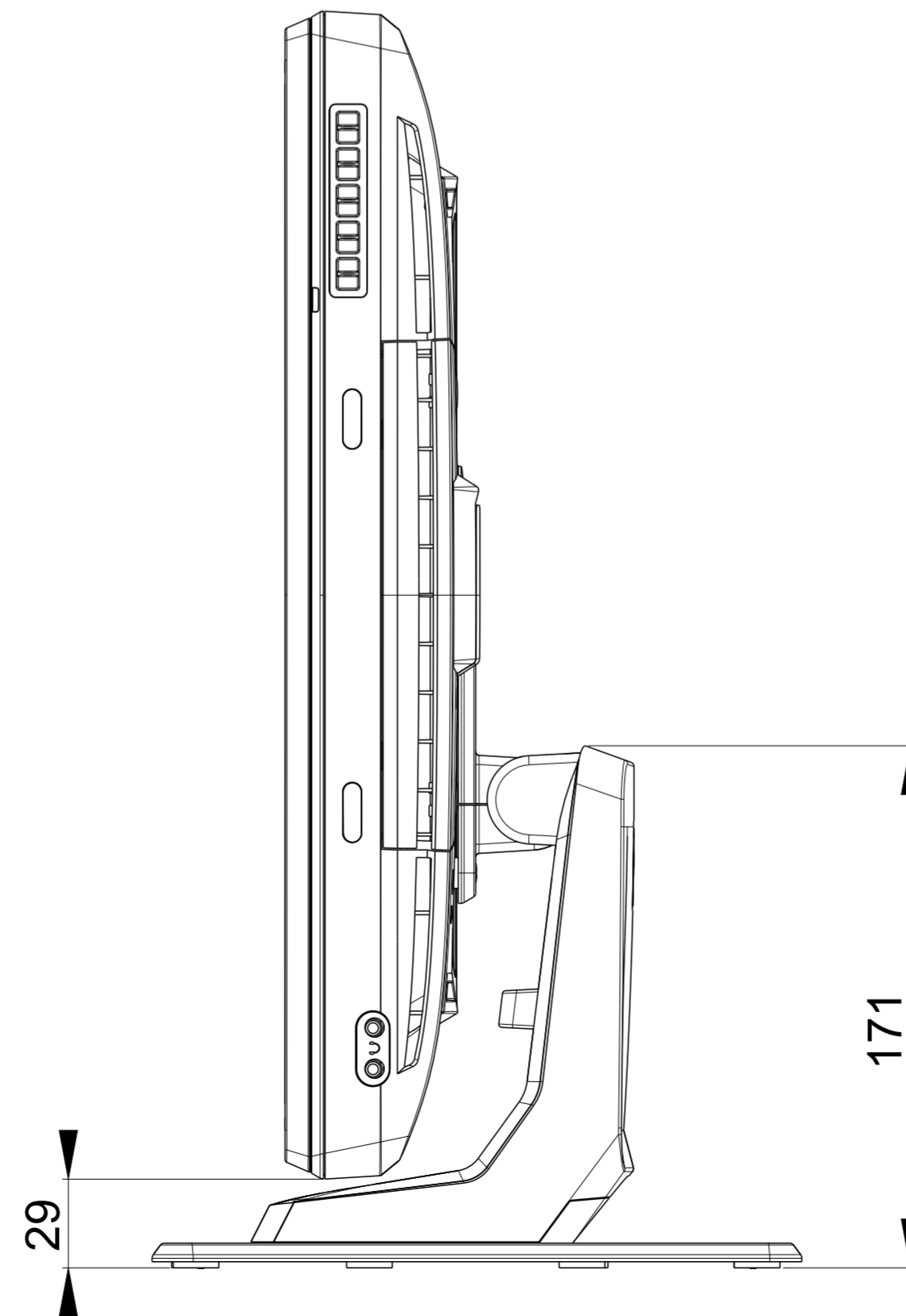
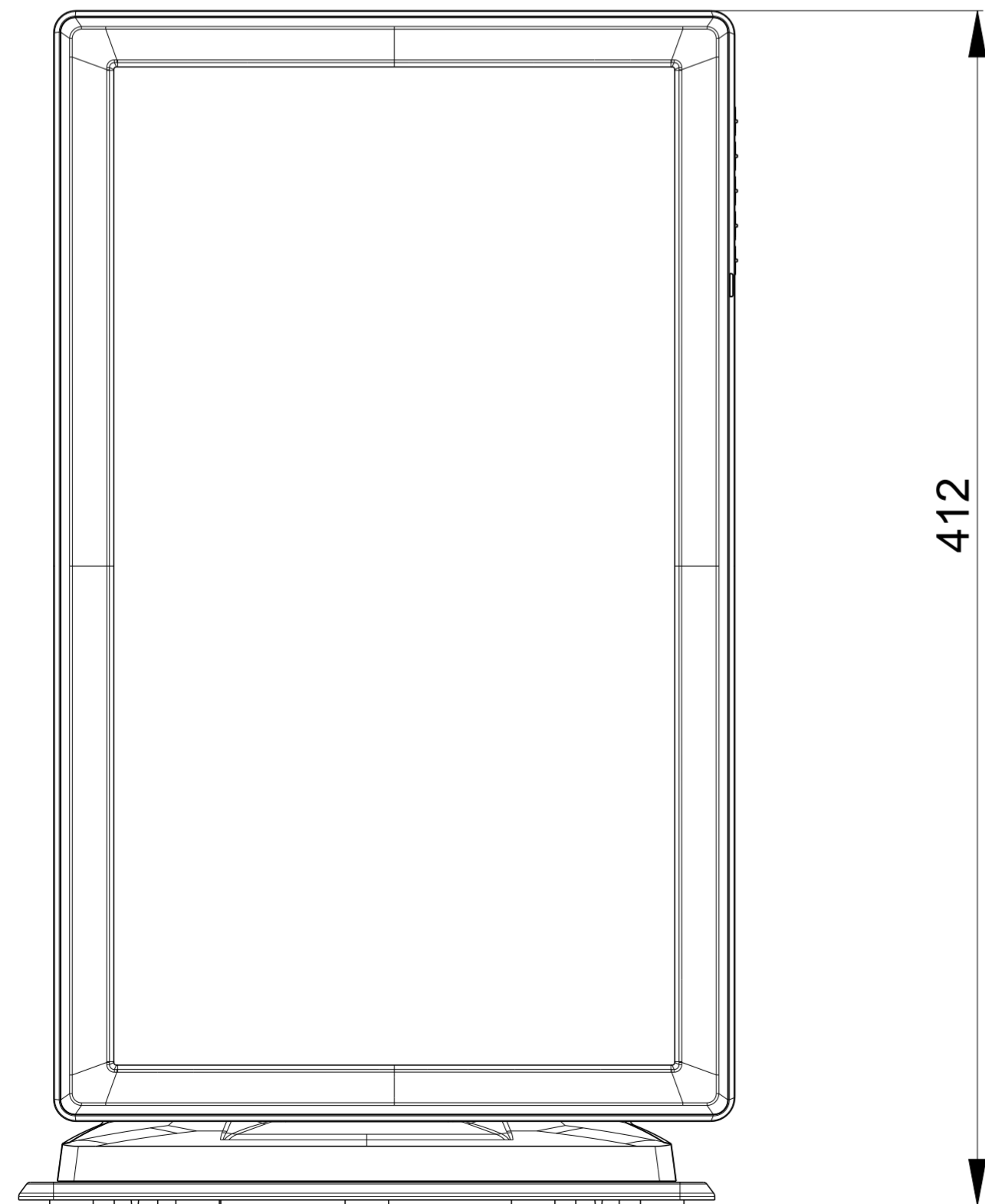




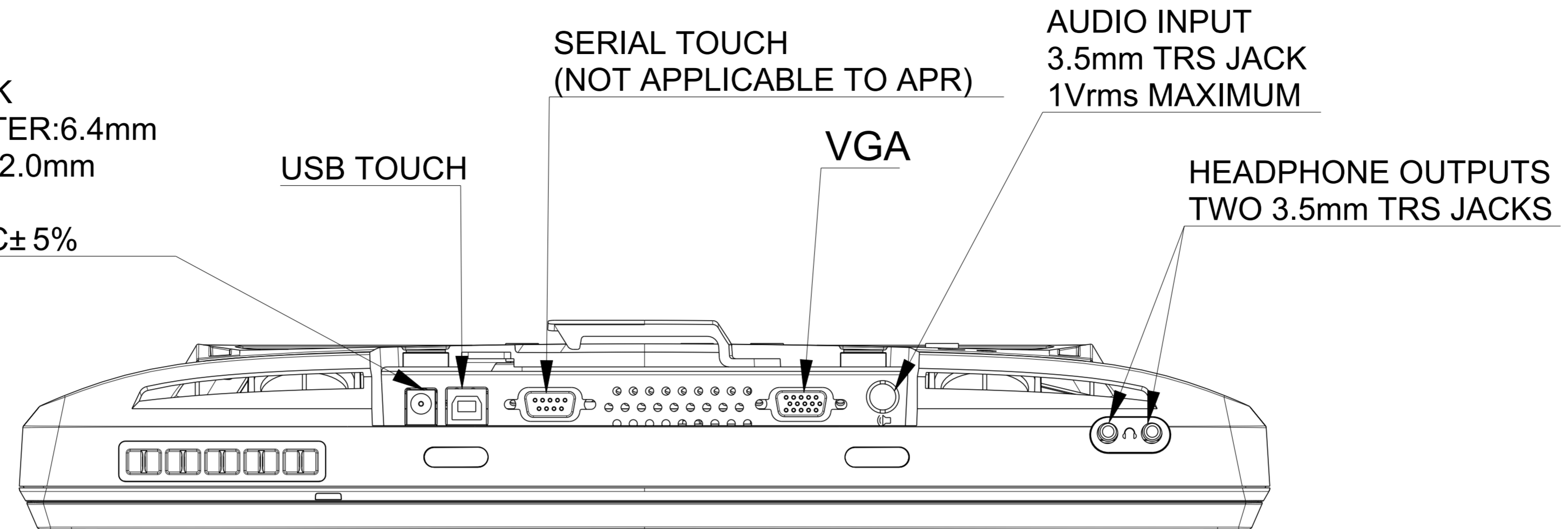
TILT: -5° FROM VERT



TILT: 30° MAX FROM VERT

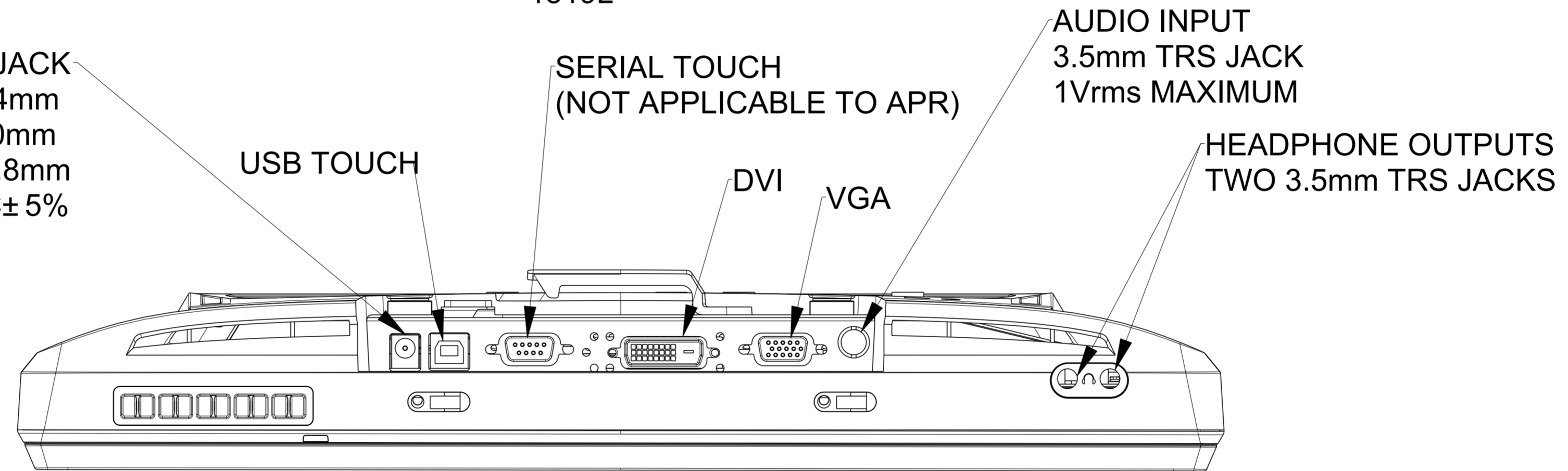


DC INPUT POWER JACK  
 BARREL INNER DIAMETER:6.4mm  
 PIN OUTER DIAMETER:2.0mm  
 BARREL DEPTH:8.8mm  
 INPUT VOLTAGE:12VDC± 5%

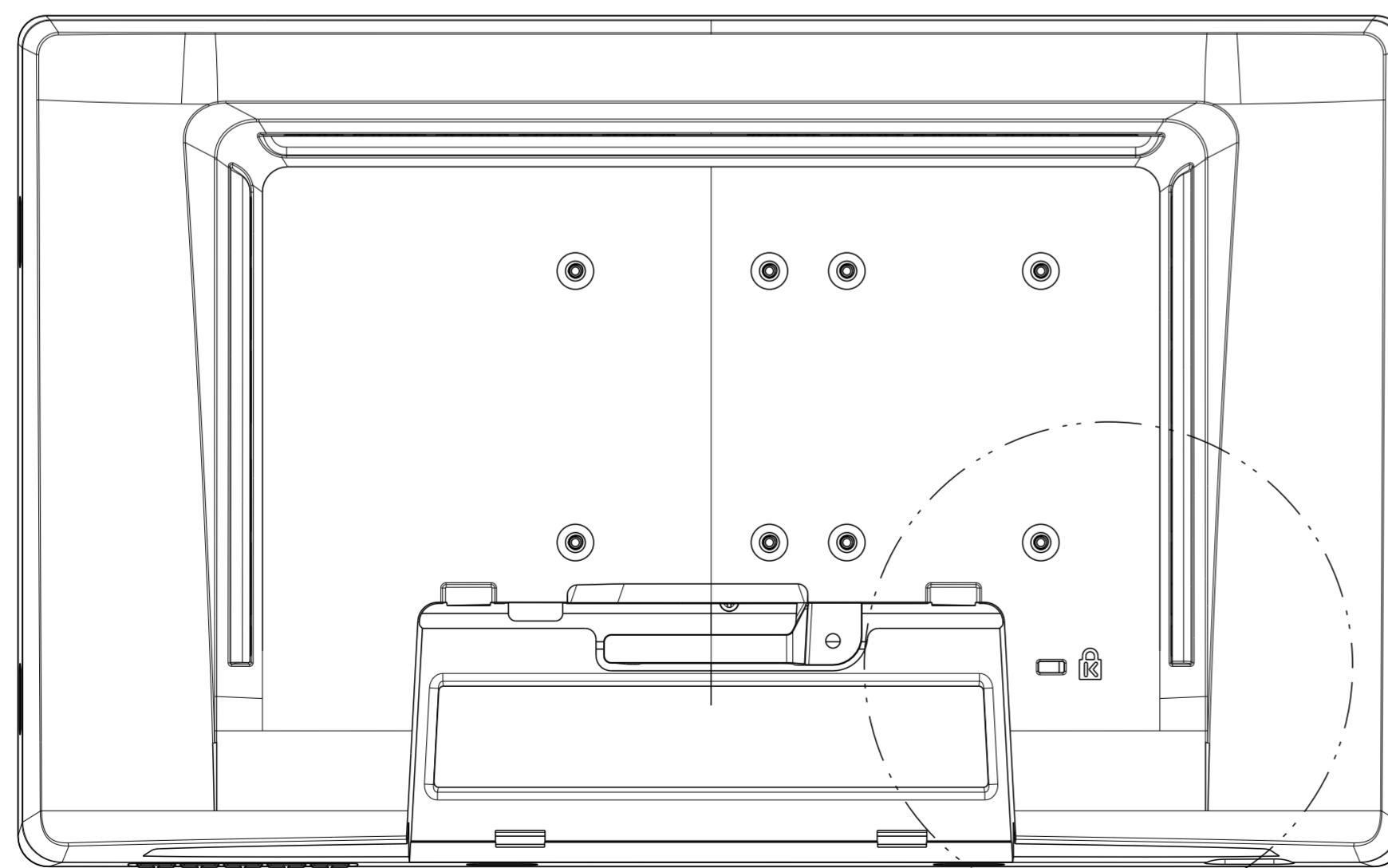


1519L

DC INPUT POWER JACK  
 BARREL INNER DIAMETER:6.4mm  
 PIN OUTER DIAMETER:2.0mm  
 BARREL DEPTH:8.8mm  
 INPUT VOLTAGE:12VDC± 5%

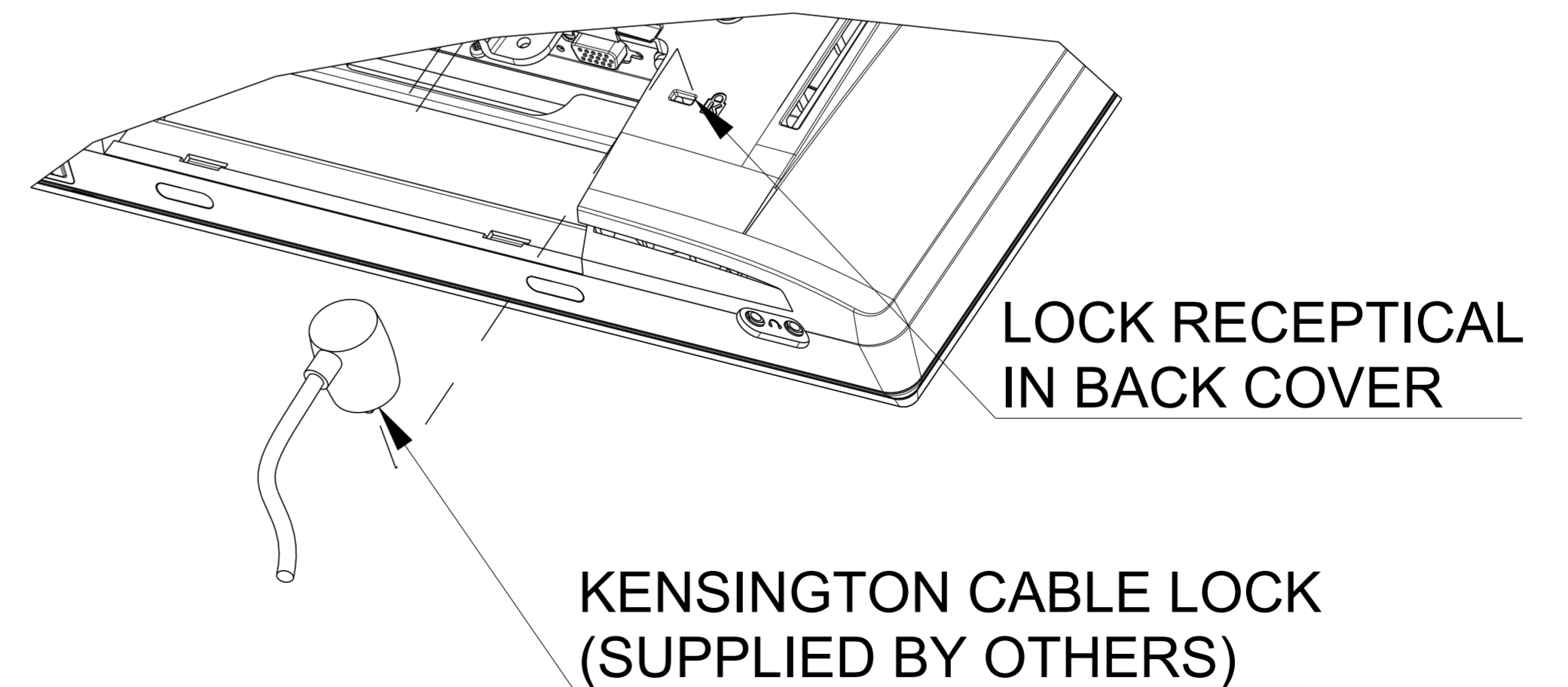


1519LM



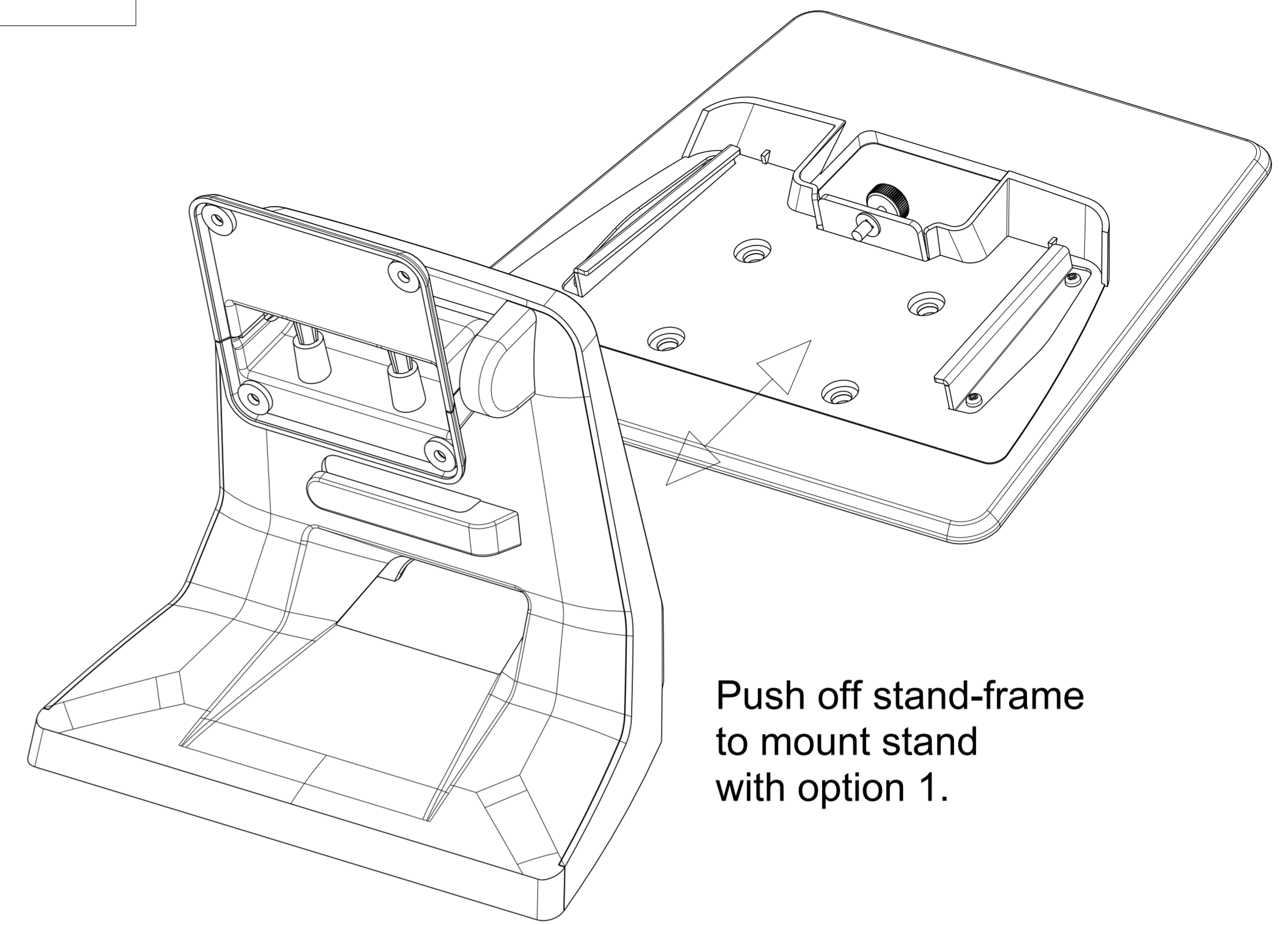
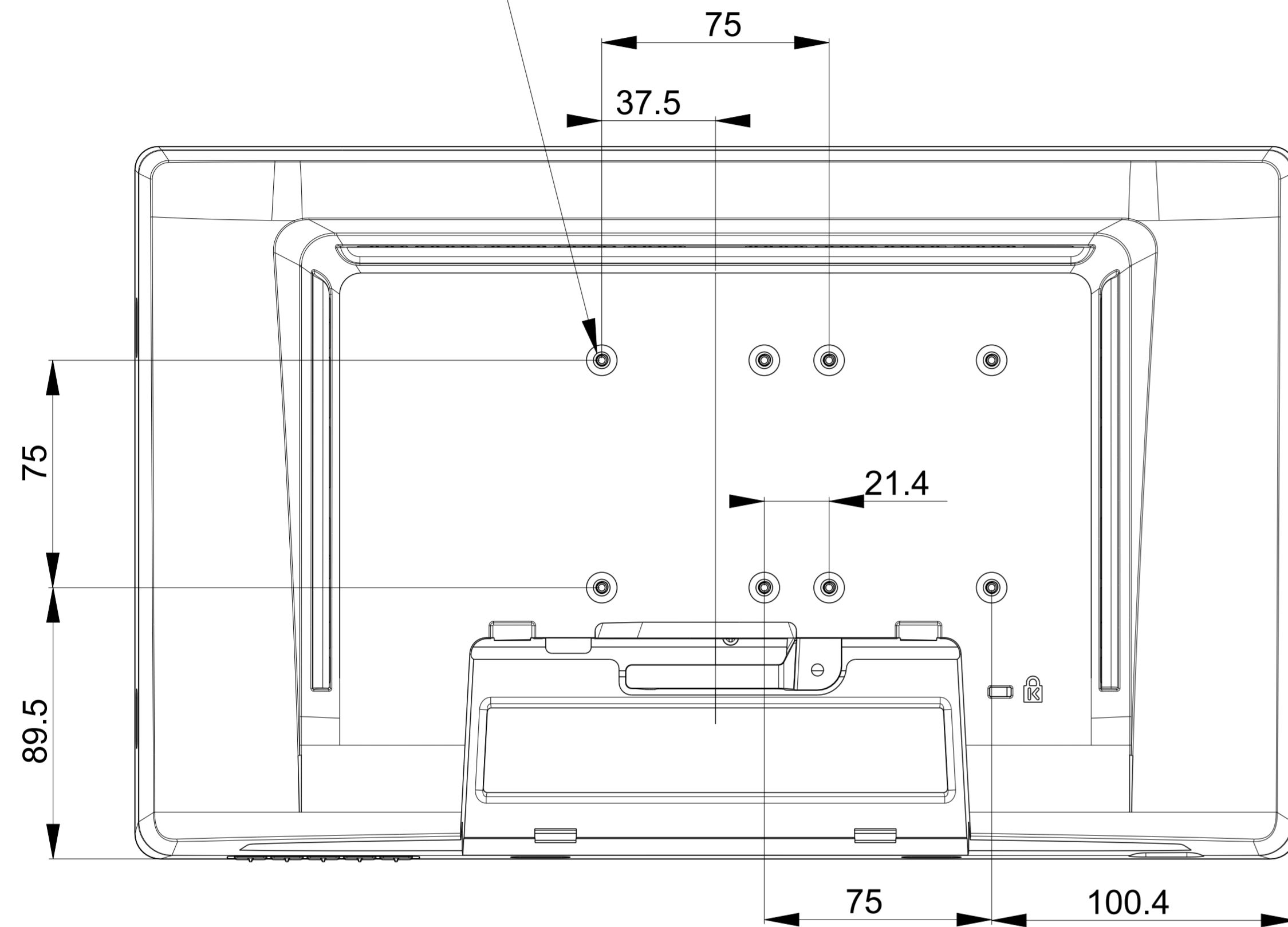
KENSINGTON LOCK  
 RECEPTACLE

KENSINGTON LOCK DETAIL



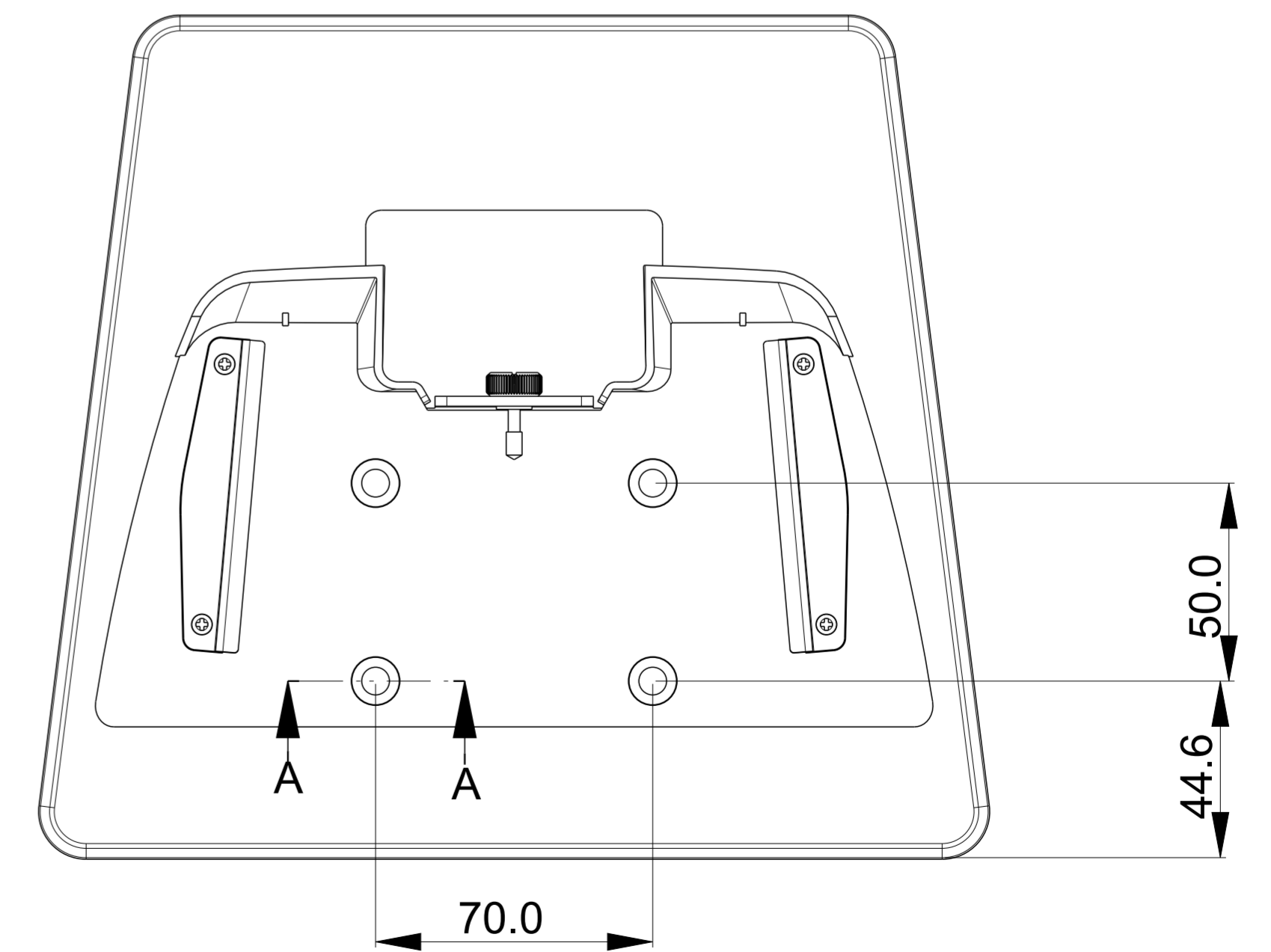
VESA MOUNT

M4 THREAD, MAX. DEPTH 6mm  
(X8)

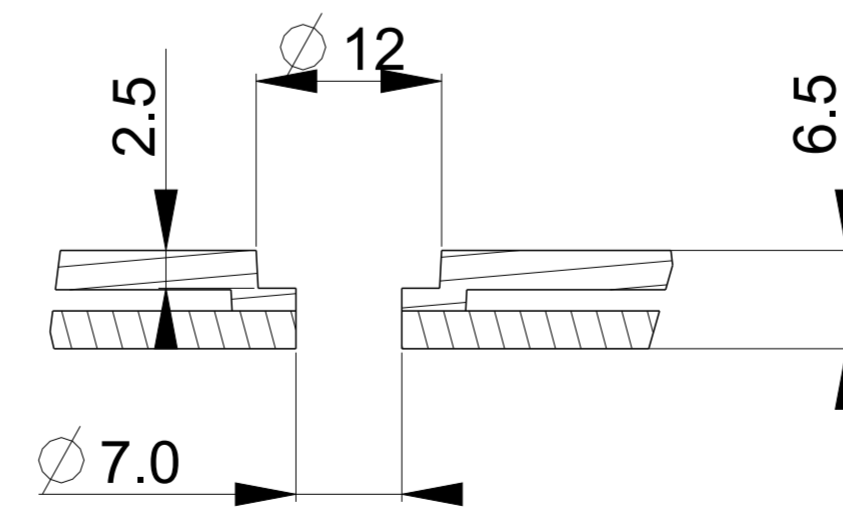


Push off stand-frame  
to mount stand  
with option 1.

Option 1



Top View



SECTION A-A  
SCALE 2.000