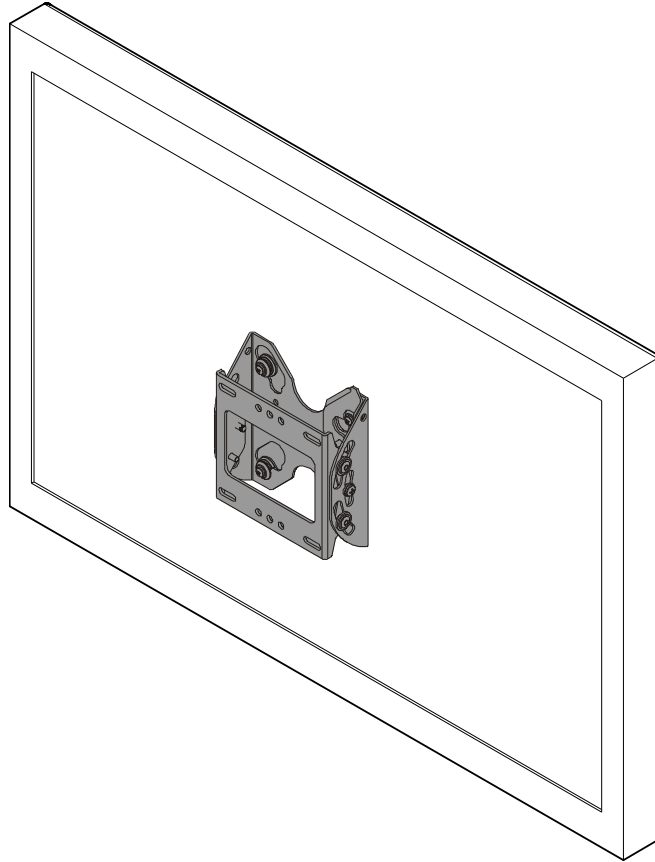


---

# INSTALLATION INSTRUCTIONS

---



---

## Small Flat Panel Tilt Wall Mount

---

**DISCLAIMER**

Milestone AV Technologies and its affiliated corporations and subsidiaries (collectively "Milestone"), intend to make this manual accurate and complete. However, Milestone makes no claim that the information contained herein covers all details, conditions or variations, nor does it provide for every possible contingency in connection with the installation or use of this product. The information contained in this document is subject to change without notice or obligation of any kind. Milestone makes no representation of warranty, expressed or implied, regarding the information contained herein. Milestone assumes no responsibility for accuracy, completeness or sufficiency of the information contained in this document.

Chief® is a registered trademark of Milestone AV Technologies. All rights reserved.

**! IMPORTANT WARNINGS AND CAUTIONS!**

**! WARNING:** A WARNING alerts you to the possibility of serious injury or death if you do not follow the instructions.

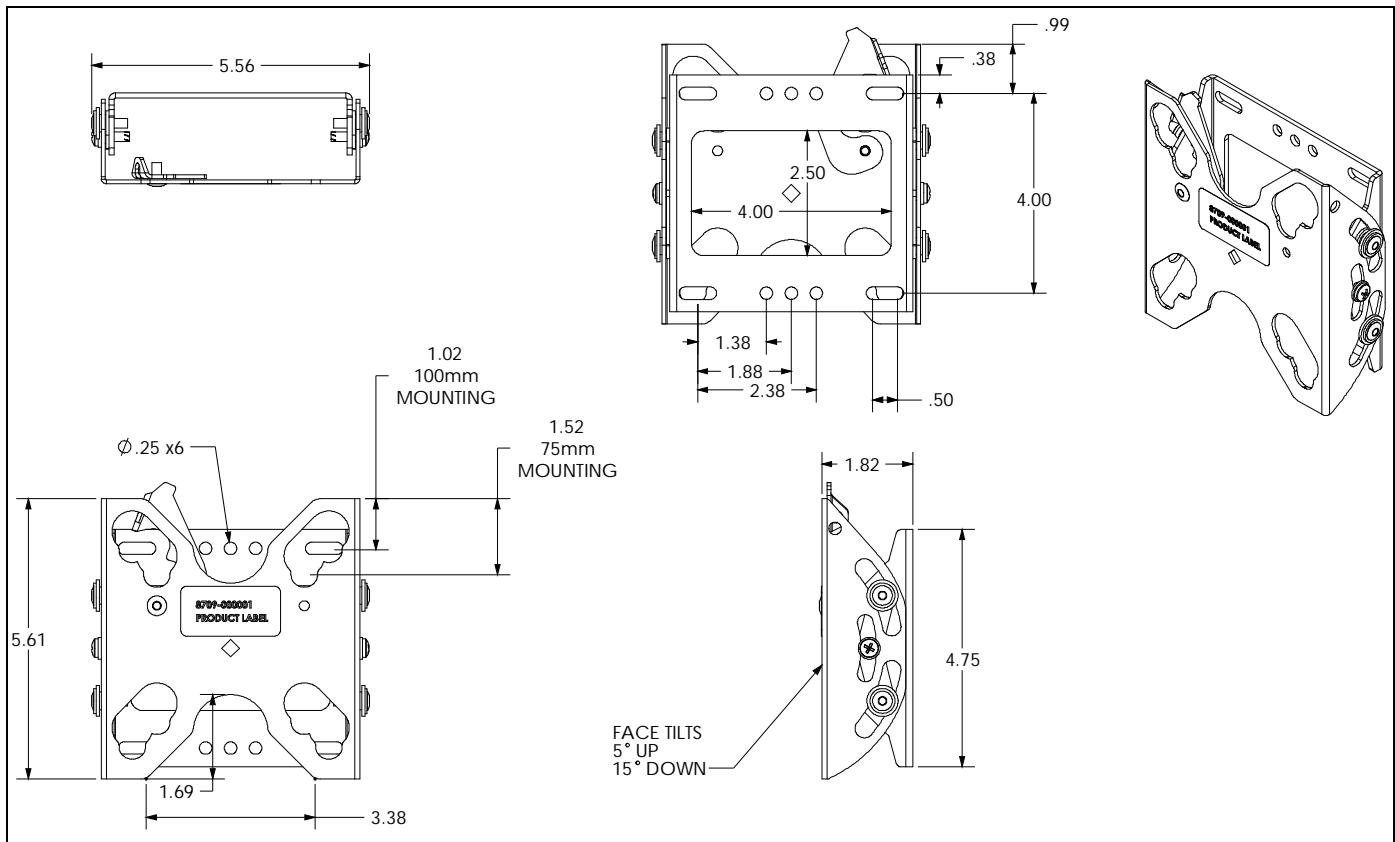
**! CAUTION:** A CAUTION alerts you to the possibility of damage or destruction of equipment if you do not follow the corresponding instructions.

**! WARNING:** Failure to read, thoroughly understand, and follow all instructions can result in serious personal injury, damage to equipment, or voiding of factory warranty! It is the installer's responsibility to make sure all components are properly assembled and installed using the instructions provided.

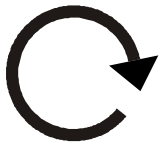

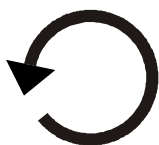



**! WARNING:** Failure to provide adequate structural strength for this component can result in serious personal injury or damage to equipment! It is the installer's responsibility to make sure the structure to which this component is attached can support five times the combined weight of all equipment. Reinforce the structure as required before installing the component. The wall to which the mount is being attached may have a maximum drywall thickness of 5/8" (1.6cm). Do not install drywall anchors into the seam between drywall pieces.

**! WARNING:** Exceeding the weight capacity can result in serious personal injury or damage to equipment! It is the installer's responsibility to make sure the combined weight of all components attached to the mount does not exceed 45 lbs (20.4 kg) for wood stud installation **OR** 30 lbs (13.6 kg) for drywall installation. Use with products heavier than the maximum weight indicated may result in collapse of the mount and its accessories causing possible injury.

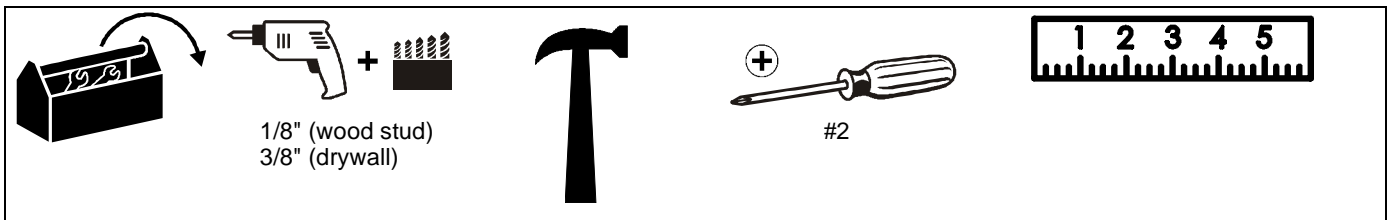
**DIMENSIONS**



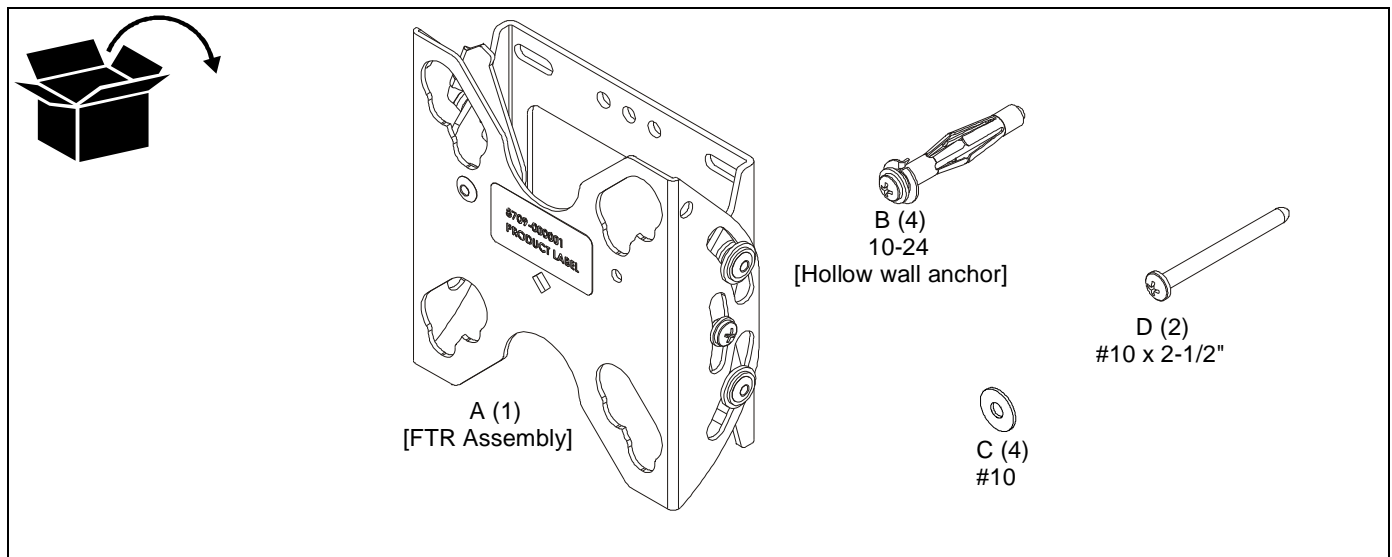
**LEGEND**

	<p><b>Tighten Fastener</b></p> <p>Apretar elemento de fijación</p> <p>Befestigungsteil festziehen</p> <p>Apertar fixador</p> <p>Serrare il fissaggio</p> <p>Bevestiging vastdraaien</p> <p>Serrez les fixations</p>		<p><b>Pencil Mark</b></p> <p>Marcar con lápiz</p> <p>Stiftmarkierung</p> <p>Marcar com lápis</p> <p>Segno a matita</p> <p>Potloodmerkten</p> <p>Marquage au crayon</p>
	<p><b>Loosen Fastener</b></p> <p>Aflojar elemento de fijación</p> <p>Befestigungsteil lösen</p> <p>Desapertar fixador</p> <p>Allentare il fissaggio</p> <p>Bevestiging losdraaien</p> <p>Desserrez les fixations</p>		<p><b>Drill Hole</b></p> <p>Perforar</p> <p>Bohrloch</p> <p>Fazer furo</p> <p>Praticare un foro</p> <p>Gat boren</p> <p>Percez un trou</p>
	<p><b>Phillips Screwdriver</b></p> <p>Destornillador Phillips</p> <p>Kreuzschlitzschraubendreher</p> <p>Chave de fendas Phillips</p> <p>Cacciavite a stella</p> <p>Kruiskopschroevendraaier</p> <p>Tournevis à pointe cruciforme</p>		<p><b>Adjust</b></p> <p>Ajustar</p> <p>Einstellen</p> <p>Ajustar</p> <p>Regolare</p> <p>Afstellen</p> <p>Ajuster</p>

**TOOLS REQUIRED FOR INSTALLATION**



**PARTS**



## INSTALLATION

The FTR may be installed on either a single 2" x 4" wood stud, or on drywall (1/2" minimum thickness). The FTR allows a tilt range from 5° up to 15° down.

### Install Mount to Single Wood Stud

1. Determine approximate mounting location, keeping in mind the display size.
2. Use a stud sensor to locate applicable wood stud. Mark location with a pencil.
3. Level FTR assembly (A) at desired height and, using it as a template, mark the location of upper and lower pilot holes. Ensure marks are in the center of wood stud.

**NOTE:** Mount can provide ±1/2" of lateral shift by using mount holes on either side of vertical center line.

**⚠ WARNING:** ELECTRICAL SHOCK HAZARD! Drilling into electrical wires or cables can cause DEATH or SERIOUS PERSONAL INJURY! ALWAYS make certain area behind mounting surfaces is free of electrical wires and cables before drilling or installing mount fasteners.

4. Drill 1/8" pilot holes. Ensure pilot holes are straight.
5. Fasten FTR to wood stud using two #10 x 2-1/2" Phillips head screws (D) through two #10 washers (C), FTR (A), and drywall (not shown) and install into pilot holes. (See Figure 1)

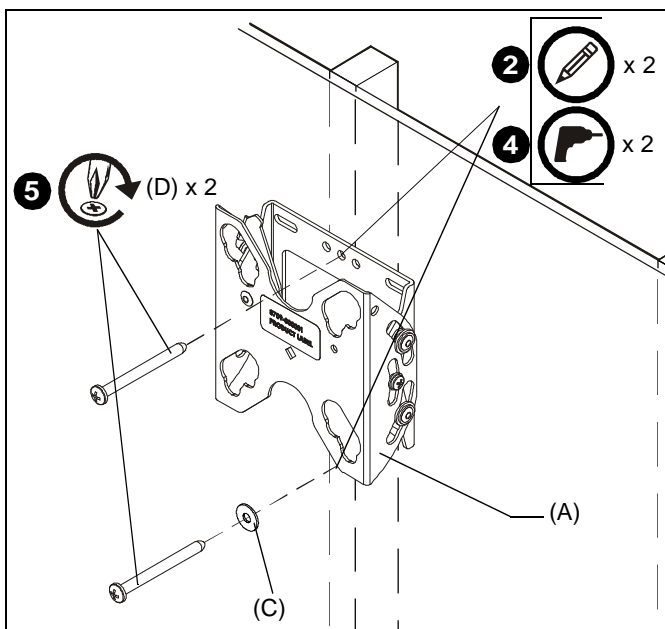


Figure 1

### Install Mount to Drywall

**⚠ WARNING:** Drywall must be a minimum thickness of 1/2" and a maximum thickness of 5/8". Do not install drywall anchors into the seam between drywall pieces.

1. Determine approximate mounting location, keeping in mind the display size.

2. Level FTR assembly (A) at desired height and, using it as a template, mark the location of the four anchor holes (one in each corner slot).

**⚠ WARNING:** ELECTRICAL SHOCK HAZARD! Drilling into electrical wires or cables can cause DEATH or SERIOUS PERSONAL INJURY! ALWAYS make certain area behind mounting surfaces is free of electrical wires and cables before drilling or installing mount fasteners.

3. Drill 3/8" anchor holes. Ensure holes are straight and completely through drywall. (See Figure 2)

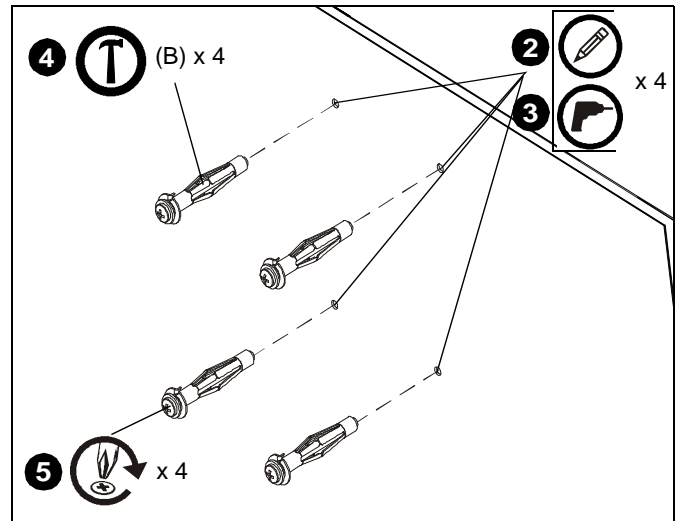


Figure 2

4. Gently tap anchor (B) into anchor hole. Anchor barbs should be fully engaged in drywall (See Figure 3).

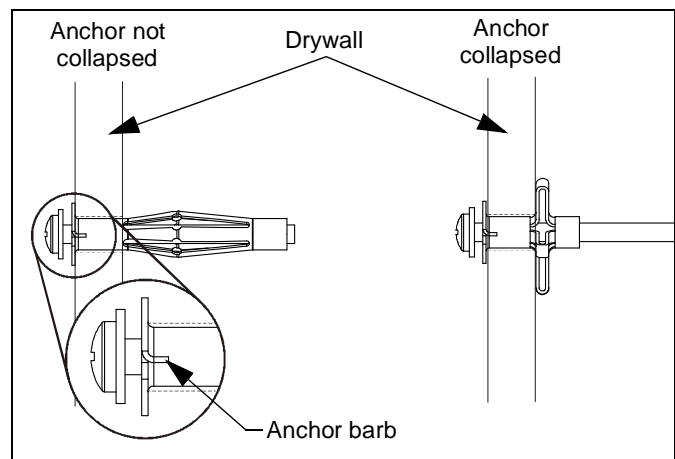


Figure 3

5. Using Phillips screwdriver, tighten anchor screw until anchor has fully collapsed against back side of drywall. (See Figure 2) and (See Figure 3)

**NOTE:** Anchor screw will feel tight until anchor begins to collapse. Screw will then turn easier for many turns. Screw will feel tight when anchor has fully collapsed.

6. Repeat Steps 4 and 5 for remaining anchors.
7. Remove and retain anchor screws from anchors (B).

**NOTE:** Anchors (B) may come with small washers which may be left on the screw or discarded. These small washers do NOT replace washers (C).

8. Insert anchor screws through washers (C), FTR (A) and install into collapsed anchors (B). Tighten until secure. (See Figure )

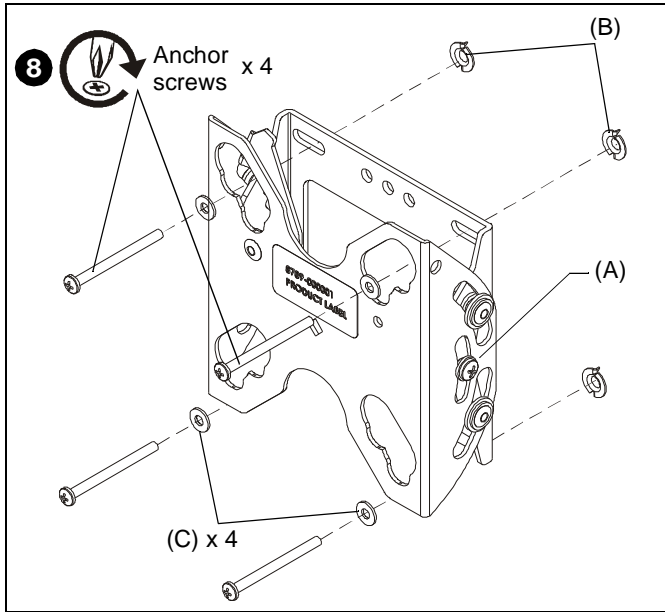


Figure 4

**Install Display to Mount**

**NOTE:** Proper interface must be attached to display. Follow instructions included with interface assembly.

1. Open latching flag by rotating flag clockwise on FTR (A). (See Figure 5)

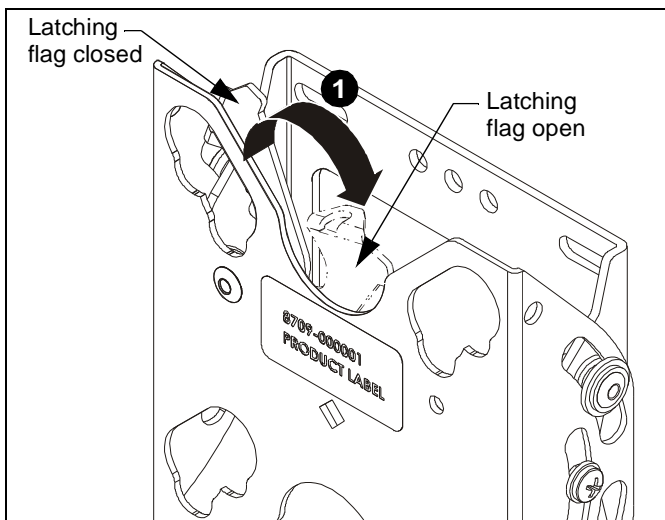


Figure 5

2. Lift and maneuver display such that all mounting buttons fit into openings on FTR (A). (See Figure 6)
3. Lower display firmly into place. Ensure each mounting button has fully seated in the opening (See Figure 6)
4. Close latching flag by rotating flag counterclockwise on FTR (A). (See Figure 6)

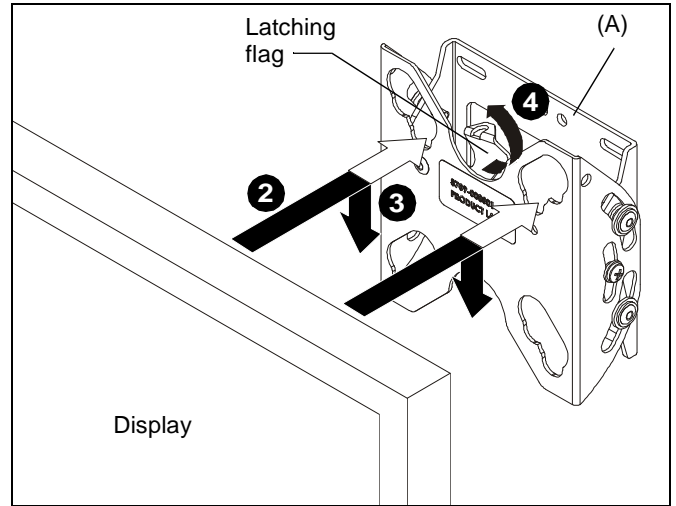


Figure 6

**NOTE:** Mounting buttons are shown in the 100mm x 100mm pattern. FTR (A) will also accommodate a 75mm x 75mm pattern. (See Figure 7)

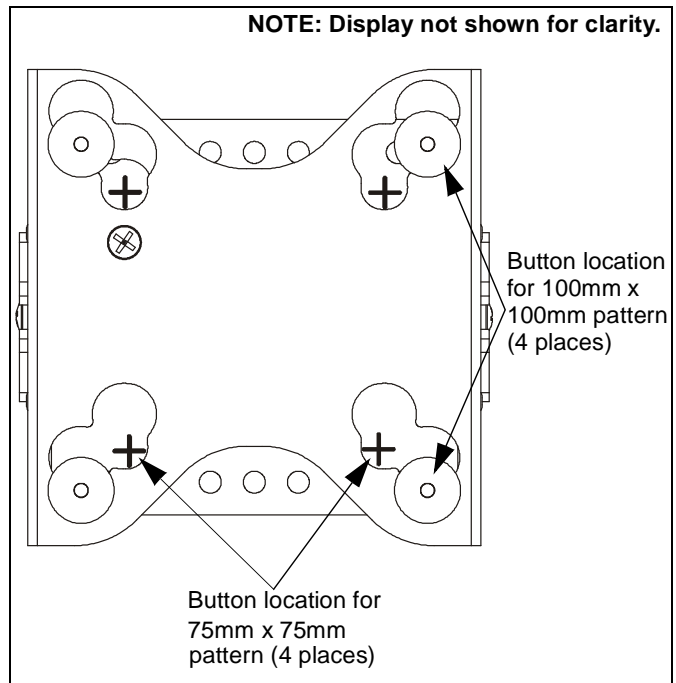
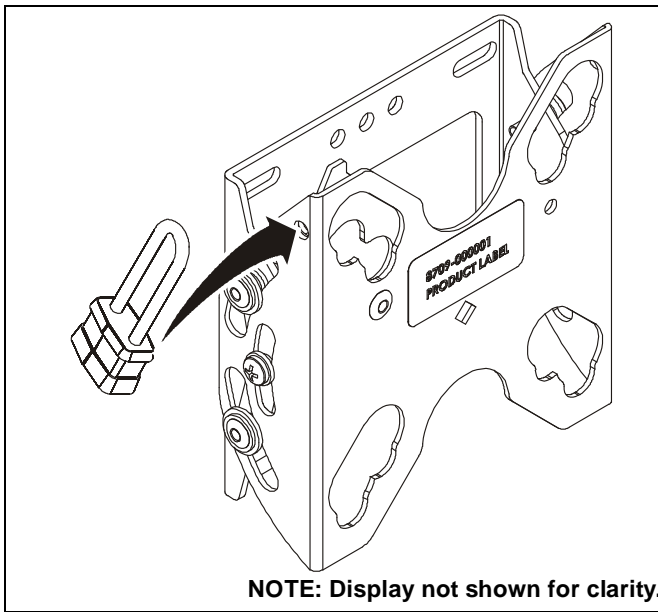


Figure 7

**NOTE:** An optional padlock may be used to secure latching flag in place. (See Figure 8)



**Figure 8**

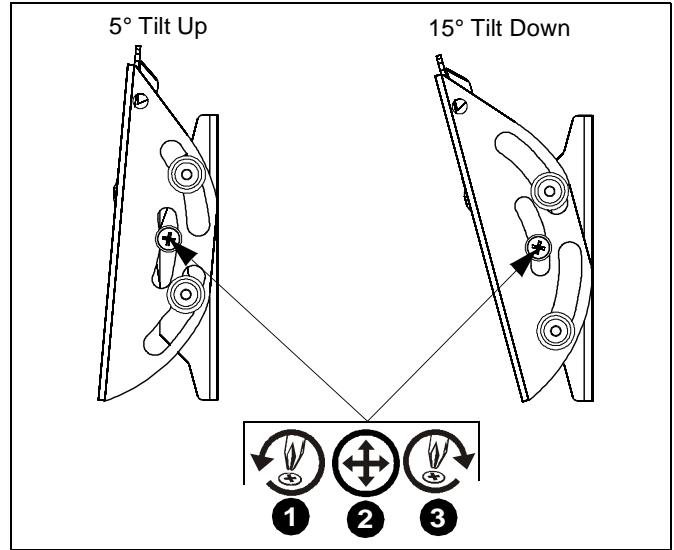
5. Connect cables to display as required.

**Removing Display from Mount**

1. Disconnect all cables from display.
2. Open latching flag by rotating flag clockwise on FTR.
3. Lift and maneuver display mounting buttons out of button openings.

**Adjusting Tilt**

1. Loosen adjusting screws on each side of display (See Figure 9).
2. Adjust tilt as desired.
3. Retighten adjusting screws.



**Figure 9**





Our Mounts. **Your Vision.**

Chief Manufacturing, a products division  
of Milestone AV Technologies

8804-000343 RevC  
©2011 Milestone AV Technologies, a  
Duchossois Group Company  
[www.chiefmfg.com](http://www.chiefmfg.com)  
05/11

**USA/International**

**A** 8401 Eagle Creek Parkway, Savage, MN 55378  
**P** 800.582.6480 / 952.894.6280  
**F** 877.894.6918 / 952.894.6918

**Europe**

**A** Fellenoord 130 5611 ZB EINDHOVEN, The Netherlands  
**P** +31 (0)40 2668620  
**F** +31 (0)40 2668615

**Asia Pacific**

**A** Office No. 1 on 12/F, Shatin Galleria  
18-24 Shan Mei Street  
Fotan, Shatin, Hong Kong  
**P** 852 2145 4099  
**F** 852 2145 4477

