

INSTALLATION INSTRUCTIONS

SMALL FLAT PANEL DISPLAY MOUNTING BRACKET

FSB-75100

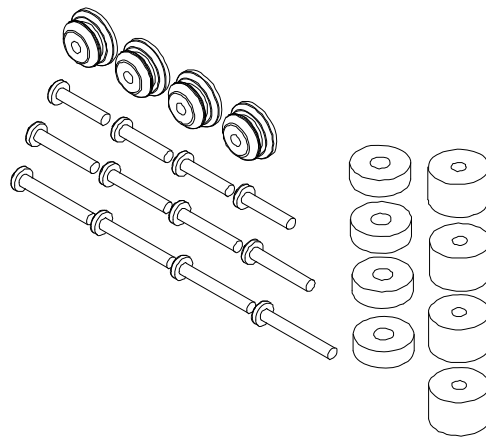


Figure 1

- (4) Mounting Buttons
- (4) M4 x 20mm Phillips Head Cap Screws
- (4) M4 x 25mm Phillips Head Cap Screws
- (4) M4 x 30mm Phillips Head Cap Screws
- (4) Spacer, 3/4" x 1/4"
- (4) Spacer, 3/4" x 1/2"

BEFORE PROCEEDING: Unpack the carton, verify contents shown in Figure 1 and read installation instructions completely. If you are missing any of the listed components, please contact Customer Service at 1-800/582-6480.

CAUTION! Displays are Extremely Fragile.

1. Attach mounting buttons to display using four M4 x 20 (M4 x 25 or 30mm with spacers between mounting buttons and display if recessed display) screws provided (see Figure 2 & Figure 3).

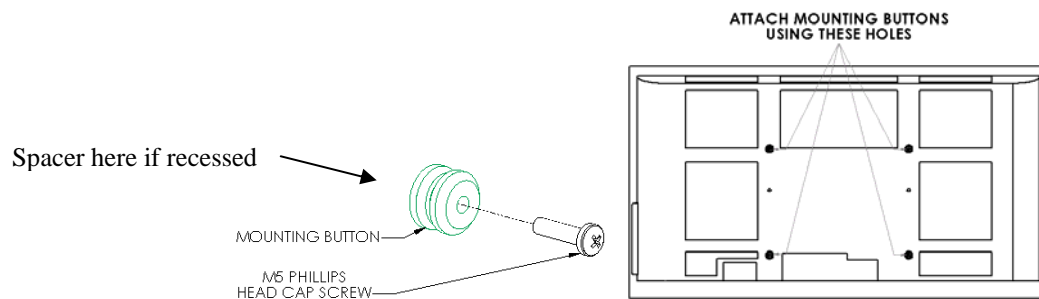


Figure 2

Figure 3



CHIEF MANUFACTURING INC.
 1-800-582-6480 952-894-6280 FAX 952-894-6918
 8401 EAGLE CREEK PKWY, STE. 700
 SAVAGE, MINNESOTA 55378 USA

8804-000292
 2006 Chief Manufacturing
www.chiefmfg.com
 02/06