

Intel Atom N270 POS PC

Quick Start Guide

Version 1.0

Introduction

Getting Started

Important Safety Notes

Quick Start Guide

Introduction

The product is a high performance, fanless, low power Intel Atom N270 series-based SBC combined with a TFT LCD Panel. It delivers the most performance per watt available in the market. The POS PC supports one DDR2 533 SDRAM up to 2GB. It is a compact design to meet the demanding requirements of today's business and industrial applications. You can get the following information in this guide :

- ✓ Product Checklist
- ✓ System Specification
- ✓ How to Getting Started the POS PC
- ✓ How to Boot the Display

Notice

1. Do not touch the LCD panel surface with sharp or hard objects.
2. Do not use abrasive cleaners, waxes or solvents for cleaning, use only a dry or damp, soft cloth.
3. Use only with a high quality, safety-approved, AC power cord.

1-1 Check List

Before using this POS PC, please make sure that all the items listed below are present in your package

- | | |
|---|----------------------|
| 1. POS PC | x1 |
| 2. Power cord | x1 |
| 3. User's Manual & Driver CD | x1 |
| 4. Touch Driver CD | x1 (Optional) |
| 5. Quick Start Guide | x1 |

Make sure that all of the items listed above are present. Do not attempt to apply power to the system if there is damage to any of its components.

Quick Start Guide

1-2 POS PC System Specifications

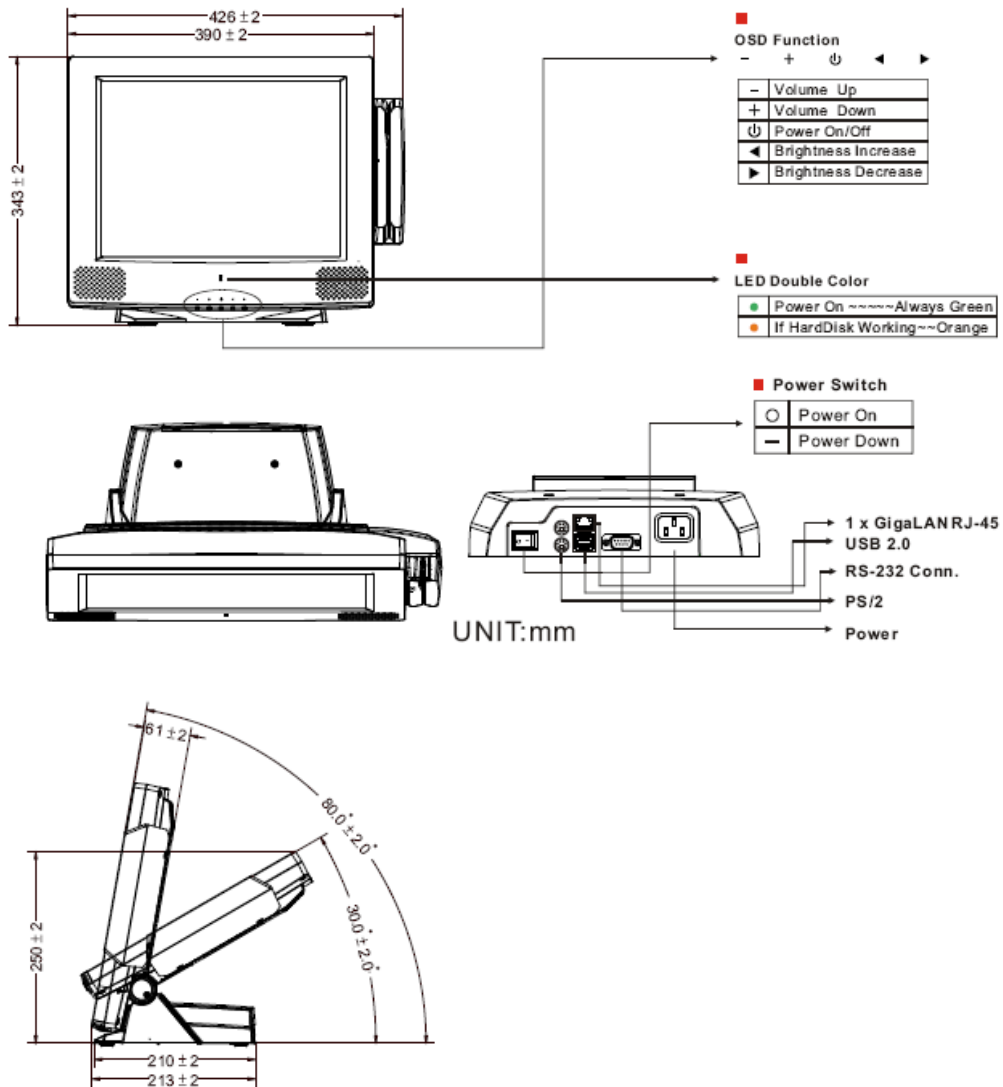
| | |
|----------------------|---|
| Form Factor | Ultra Slim Board |
| CPU | Intel® Atom N270 1.6GHz Processor |
| Chipset | Intel 945GSE / ICH7M |
| Memory | 1 x DDR2 SO-DIMM socket, supports up to 2GB DDR2 533 SDRAM |
| BIOS | AMI 4Mbit |
| VGA Controller | Intel® GMA950 Graphic engine |
| VGA Memory | 224MB shared with system memory |
| LCD Support | TFT-LCD |
| Ethernet | 1 x Giga LAN (Realtek RTL8111B Controller) |
| Audio | Realtek ALC655 |
| IDE | Dual channels; supports Ultra DMA 33/66/100 |
| Serial | 1 x RS-232 |
| USB | 2 x USB |
| KB / Mouse Connector | 1 x PS/2 |
| Power source | AC 100~240 V, Universal,±10% |
| HDD | 2.5 inch 80GB (Default) |
| O/S | Windows XP Embedded / Professional Embedded (Optional) |

Quick Start Guide

Getting Started

2-1 Input / Output Devices

The following figure shows the I/O arrangement of the POS PC. The backside of the chassis contains most of the connectors (15" for example).



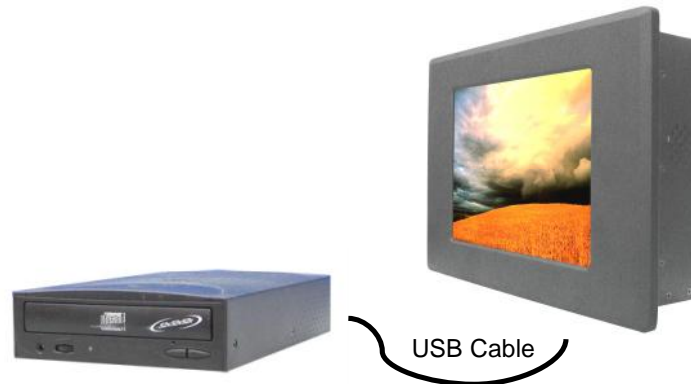
Quick Start Guide

2-2 Starting the POS PC & O/S Installation

1. Connect the power cord to the AC outlet.
2. Press the power on switch to start the POS PC.
3. Press "DEL" to enter the CMOS setting and check the BIOS setup.
4. You may install your own O/S if it is not installed.

When installing O/S for this POS PC, please follow the steps and use external equipment as **Keyboard and Mouse.**

- (a) Please use external USB DVD-ROM to run the O/S and Driver setting (as picture showed below).



2-2 Driver Installation

The PPC comes with a User's Manual and Driver CD that contains most of the drivers and utilities of your needs.

1. Following the step by step to install Driver include: Chipset, VGA, Audio, and Ethernet.
2. Following the step by step to Install the Touch screen if necessary .