

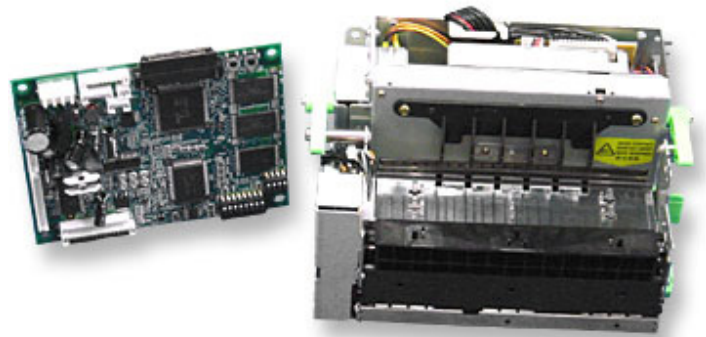
TMP900 Direct Thermal Mechanism

The TMP900 is a direct thermal printer mechanism with a presenter. This mechanism is ideal for many kiosk and other applications. The TMP900 brings adjustable (80 - 112mm) paper width in a compact, modular design to the modern kiosk. This flexible paper width, coupled with our Raster drivers, is the perfect solution for Web and Information kiosks, and much more.

Specifically designed for OEM use, the TMP900 provides the ultimate in cost-effective versatility without compromising on reliability.

Ideal for:

- Unattended public operation
- Ticketing
- Gaming
- Lottery
- Web Kiosks
- ...and more



SPECIFICATION

Print Method	Direct Thermal
Print Resolution	203dpi (8 dots/mm)
Print Speed	150mm/sec
Print Width	72-104mm (adjustable)
Paper Width	80-112mm (adjustable)
Autocutter	Full-cut, Guillotine
Presenter	Looping presenter with Document Capture
Interface	Serial (RS232C), Parallel (IEEE1284), USB
Drivers	Line Mode, Raster (Win9X, 2000,NT,XP)
Power Required	24vdc

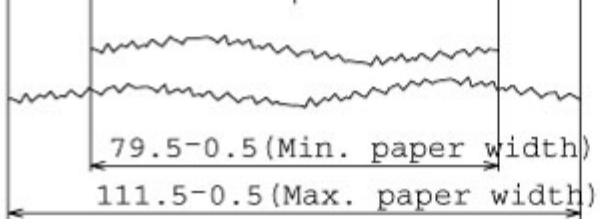
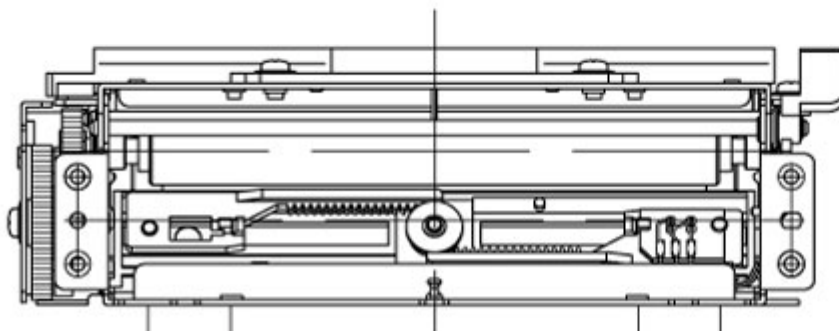
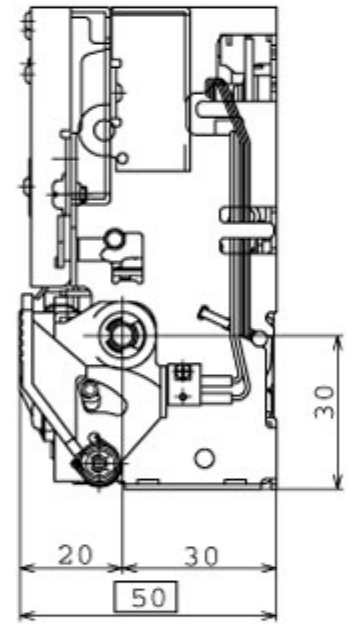
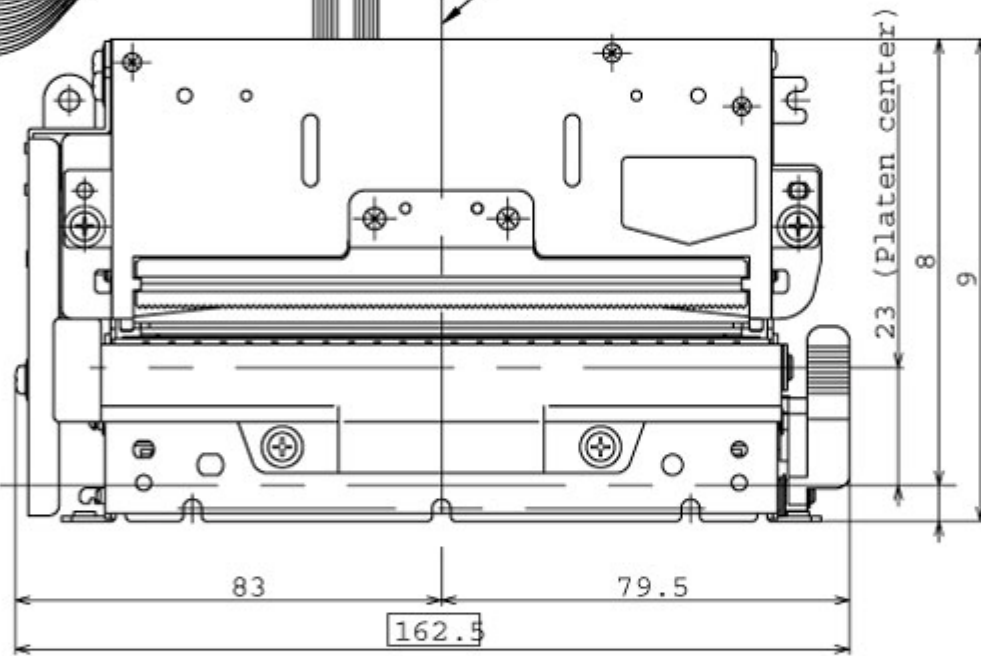
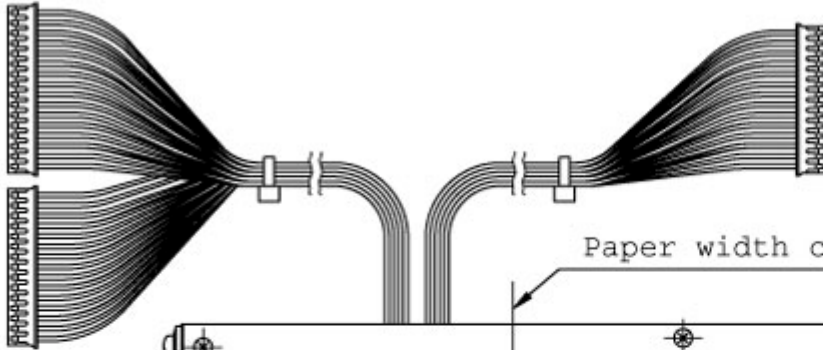
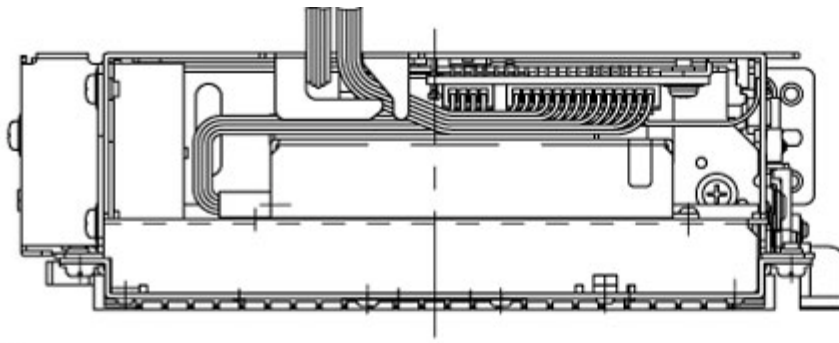
- Looping Presenter reduces paper jams
- Compact design lends to versatility in mounting
- Semi-Automatic paper loading
- Serial, Parallel, USB and Ethernet interfaces available
- 203 dpi Resolution
- Resident Bar Codes
- Adjustable Print Width
- 150 MM/SEC Print Speed

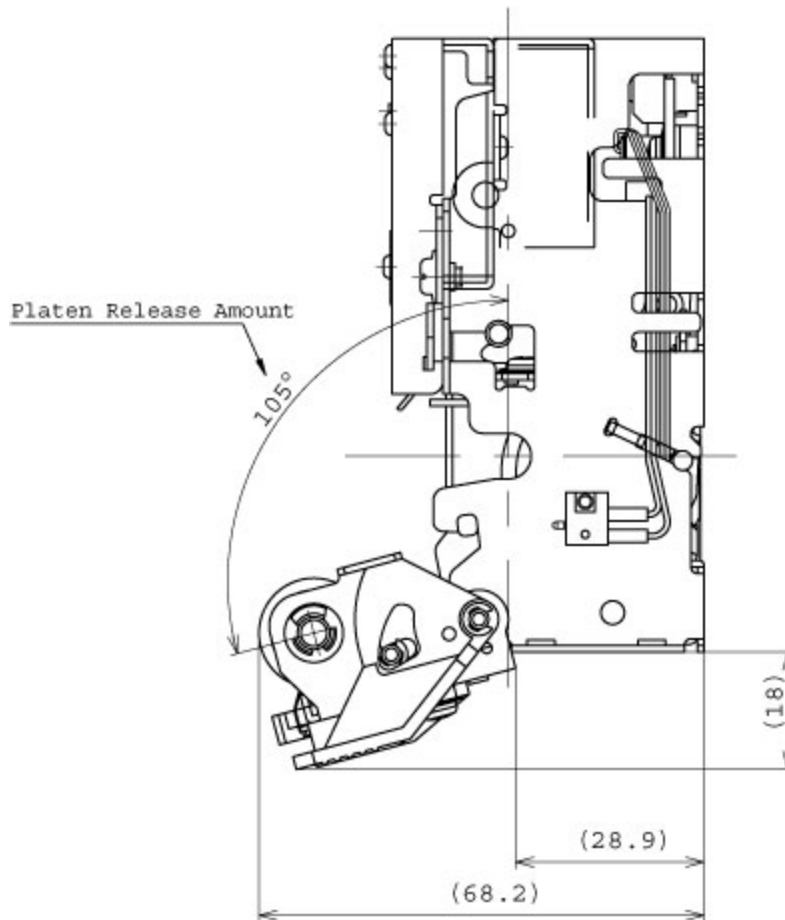
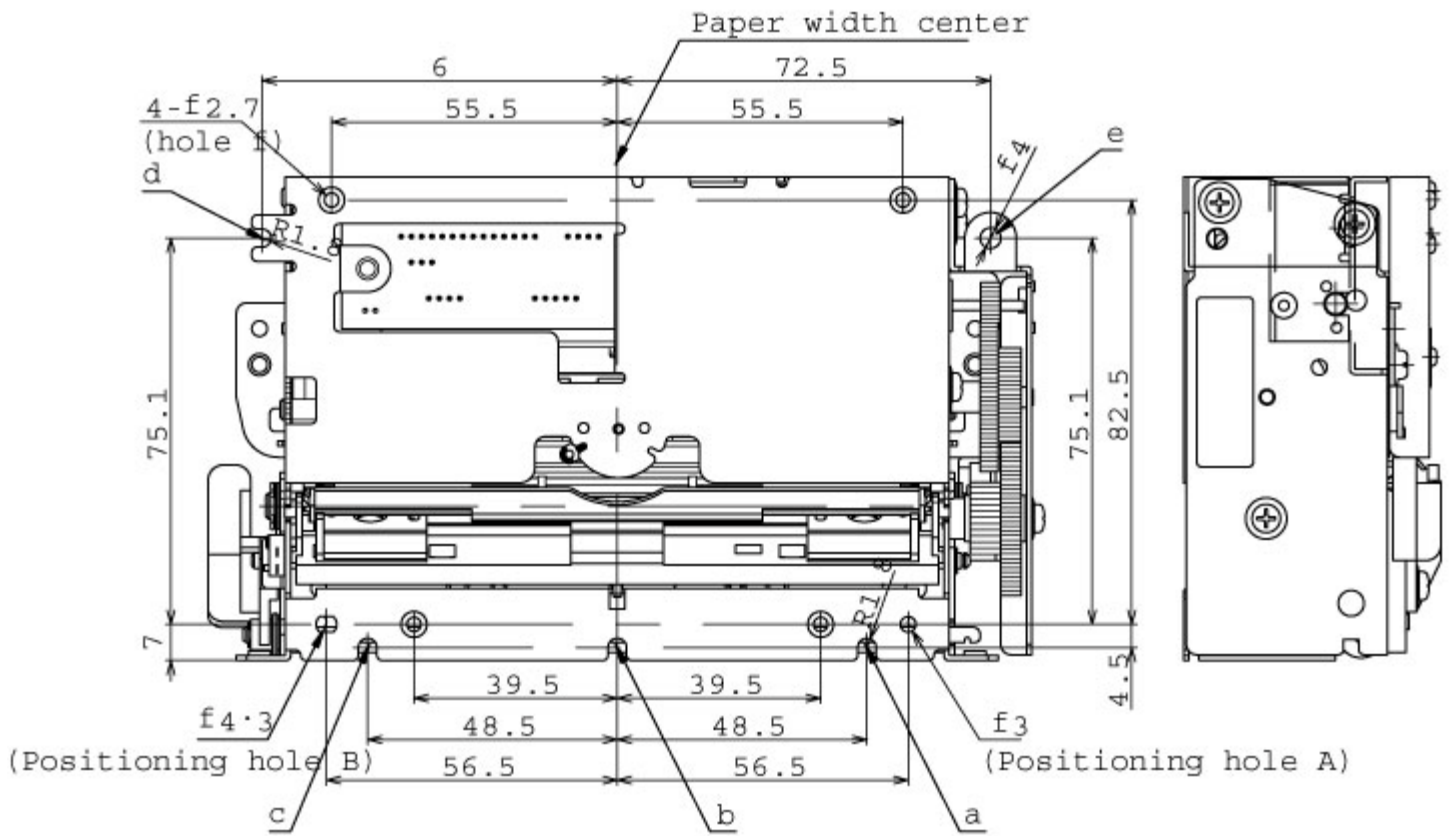
Parts

Model No.	Description	Part No.
TBD900-24A	Control Board	39206000
PBD-9	Power Supply Board	39206500
TMP942-24A	Printer Mechanism	39458000
PR921-24A	Presenter	39515000

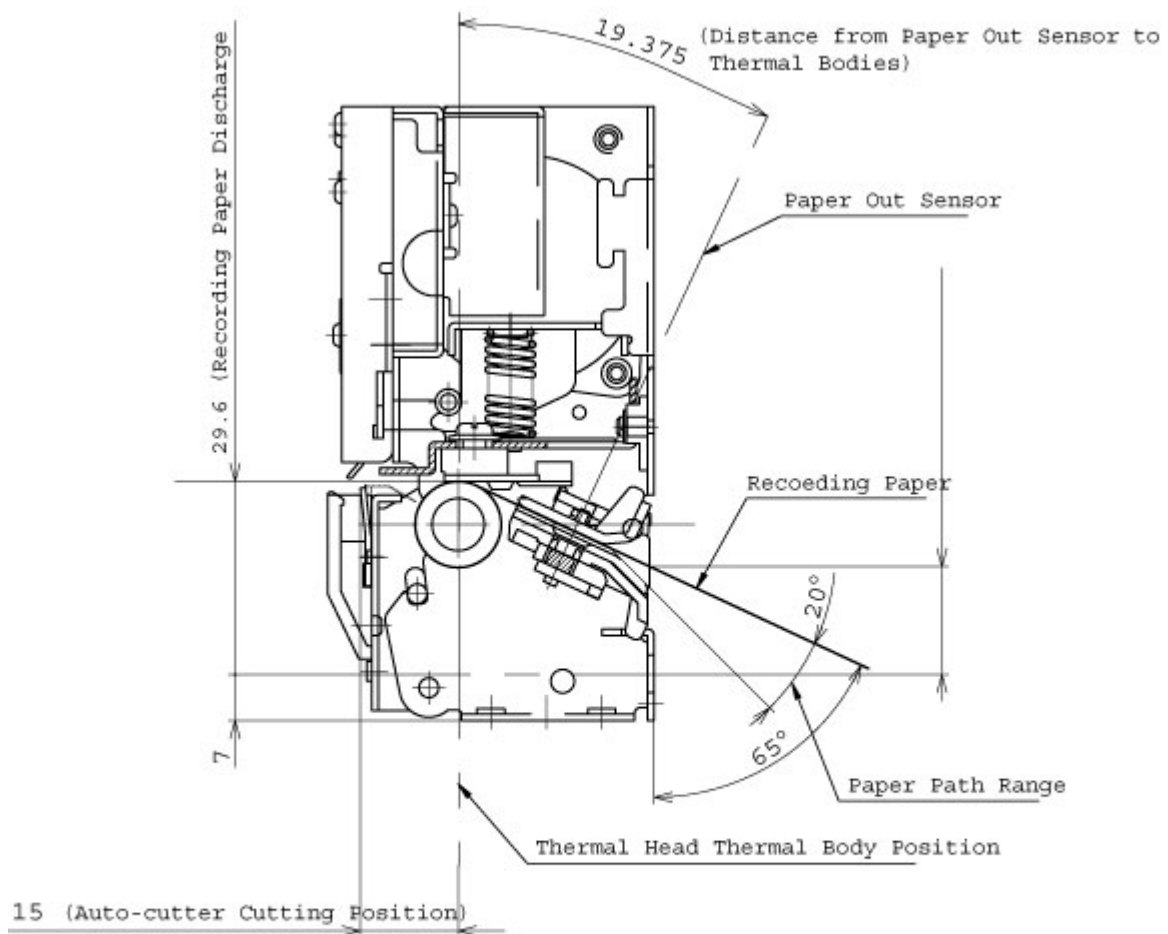
Interfaces

Model No.	Description	Part No.
IFBD-HC04	Parallel Interface	39607410
IFBD-HD04	Serial Interface	39607400
IFBD-HU04	USB Interface	36907420





When Platen is Released



Recording paper Path